



US00D929517S

(12) **United States Design Patent**
Kawami

(10) **Patent No.:** **US D929,517 S**

(45) **Date of Patent:** **** Aug. 31, 2021**

(54) **HEAD FOR GOLF CLUB**

(71) Applicant: **SUMITOMO RUBBER INDUSTRIES, LTD.**, Kobe (JP)

(72) Inventor: **Hiroshi Kawami**, Kobe (JP)

(73) Assignee: **SUMITOMO RUBBER INDUSTRIES, LTD.**, Kobe (JP)

(**) Term: **15 Years**

(21) Appl. No.: **29/727,491**

(22) Filed: **Mar. 11, 2020**

(30) **Foreign Application Priority Data**

Sep. 12, 2019 (JP) 2019-020427

(51) **LOC (13) Cl.** **21-02**

(52) **U.S. Cl.**
USPC **D21/744**

(58) **Field of Classification Search**
USPC D21/736-746, 759
CPC A63B 53/00; A63B 53/04; A63B 53/007;
A63B 53/065; A63B 53/0487; A63B
60/00; A63B 60/46
See application file for complete search history.

(56) **References Cited**

U.S. PATENT DOCUMENTS

D399,911 S	*	10/1998	Nicolette	D21/736
D449,085 S	*	10/2001	Breier	D21/744
D583,886 S	*	12/2008	Cameron	D21/743
D588,657 S	*	3/2009	Hettinger	D21/744
D641,057 S	*	7/2011	Rollinson	D21/744
D641,440 S	*	7/2011	Hettinger	D21/743
D641,442 S	*	7/2011	Rollinson	D21/744
D650,457 S	*	12/2011	Rollinson	D21/743
D650,458 S	*	12/2011	Rollinson	D21/744
D652,092 S	*	1/2012	Rollinson	D21/743

D688,762 S	*	8/2013	Hilton	D21/736
D690,378 S	*	9/2013	Rollinson	D21/743
D691,681 S	*	10/2013	Hilton	D21/736
D699,308 S	*	2/2014	Rollinson	D21/736
D733,233 S	*	6/2015	Dolezel	D21/742
D792,536 S	*	7/2017	Wang	D21/743
D826,353 S	*	8/2018	Cameron	D21/736
D835,218 S	*	12/2018	Rollinson	D21/743
D844,724 S	*	4/2019	Wang	D21/743
D845,411 S	*	4/2019	Cameron	D21/742
D860,352 S	*	9/2019	Rollinson	D21/743
D875,195 S	*	2/2020	Serrano	D21/743
D879,223 S	*	3/2020	Serrano	D21/742
D894,299 S	*	8/2020	Cameron	D21/743
D895,747 S	*	9/2020	Rollinson	D21/743
D912,172 S	*	3/2021	Toulon	D21/743
D912,173 S	*	3/2021	Toulon	D21/743
D912,175 S	*	3/2021	Toulon	D21/743
D912,176 S	*	3/2021	Toulon	D21/743

(Continued)

Primary Examiner — Mitchell I. Siegel

(74) *Attorney, Agent, or Firm* — Birch, Stewart, Kolasch & Birch, LLP

(57) **CLAIM**

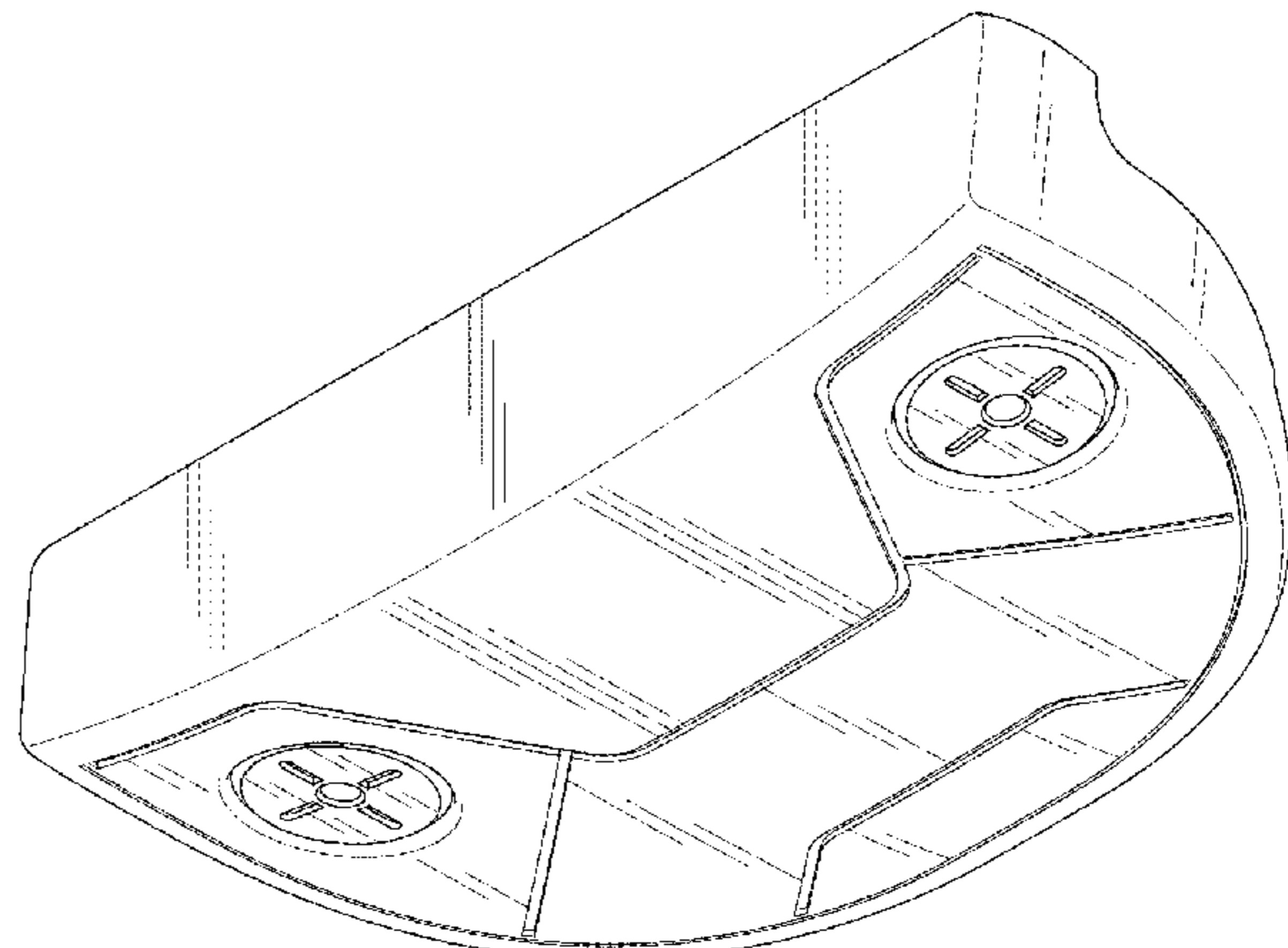
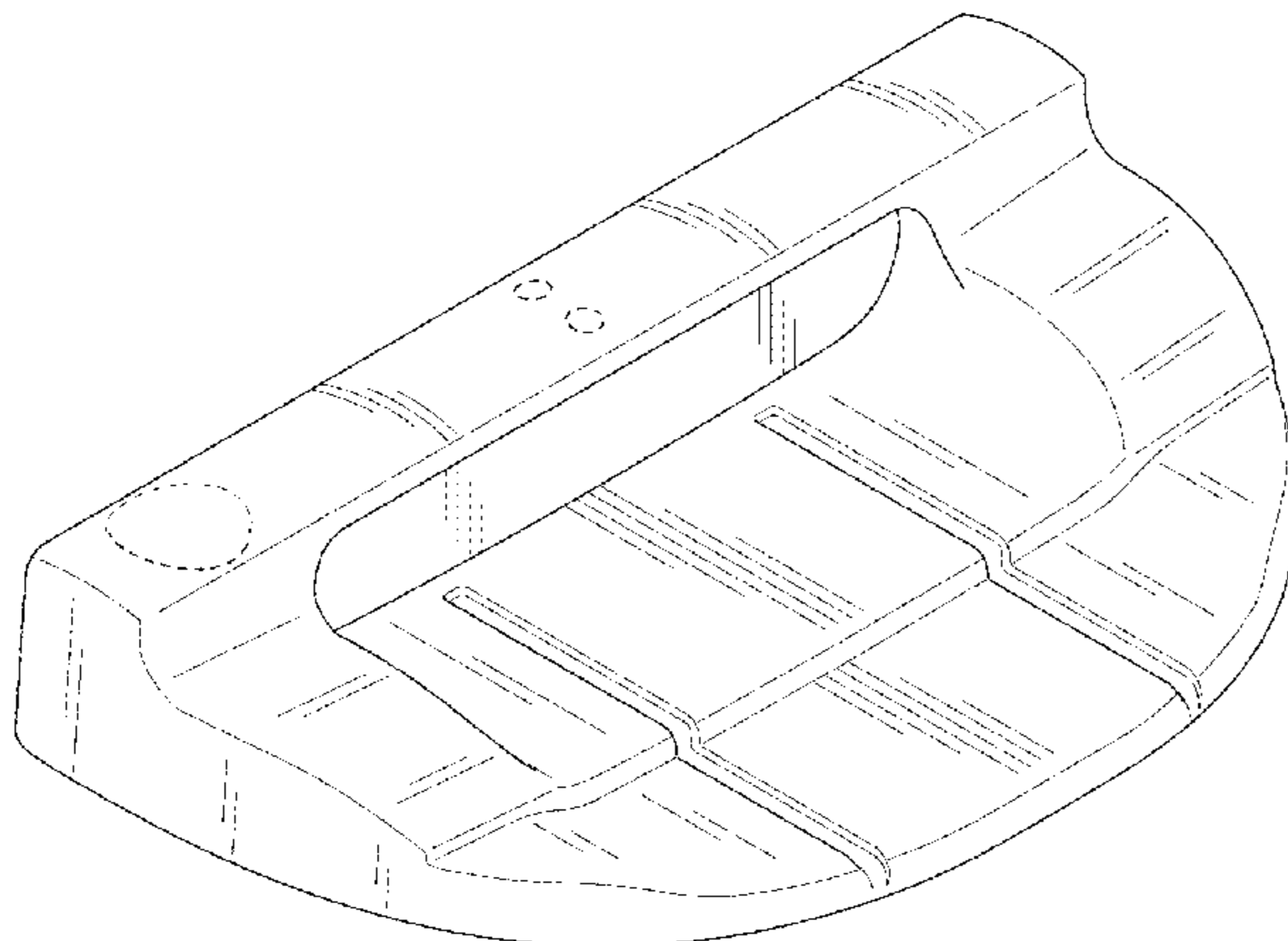
The ornamental design for a head for golf club, as shown and described.

DESCRIPTION

FIG. 1 is a first perspective view of a head for golf club; FIG. 2 is a second perspective view thereof; FIG. 3 is a front view thereof; FIG. 4 is a rear view thereof; FIG. 5 is a left side view thereof; FIG. 6 is a right side view thereof; FIG. 7 is a top view thereof; and, FIG. 8 is a bottom view thereof.

The broken lines depict portions of the head for golf club in which the design is embodied that are not considered part of the claimed design.

1 Claim, 4 Drawing Sheets



(56)

References Cited

U.S. PATENT DOCUMENTS

D912,177 S * 3/2021 Greer D21/744
2015/0080148 A1* 3/2015 Cameron A63B 53/007
473/340

* cited by examiner

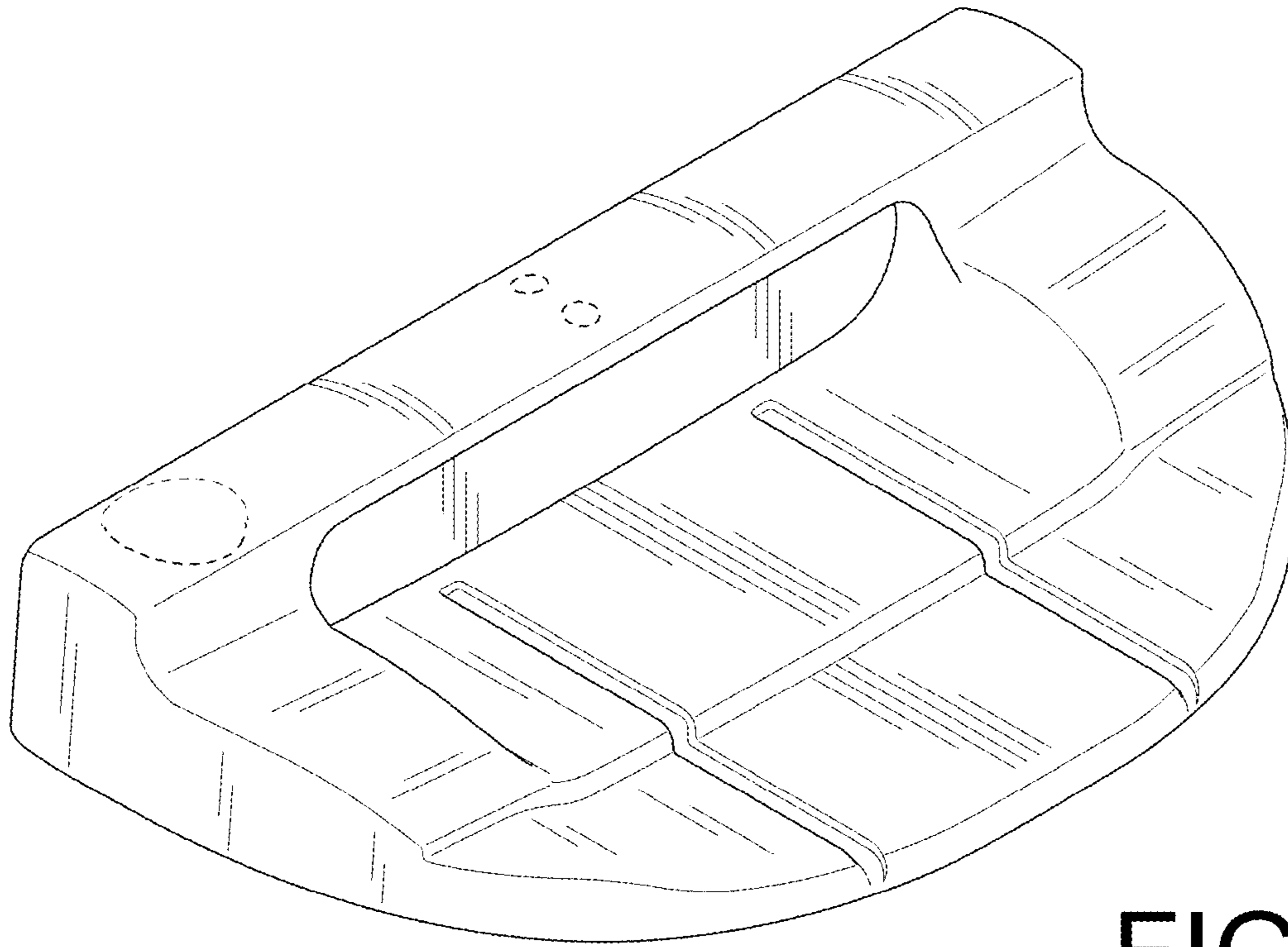


FIG. 1

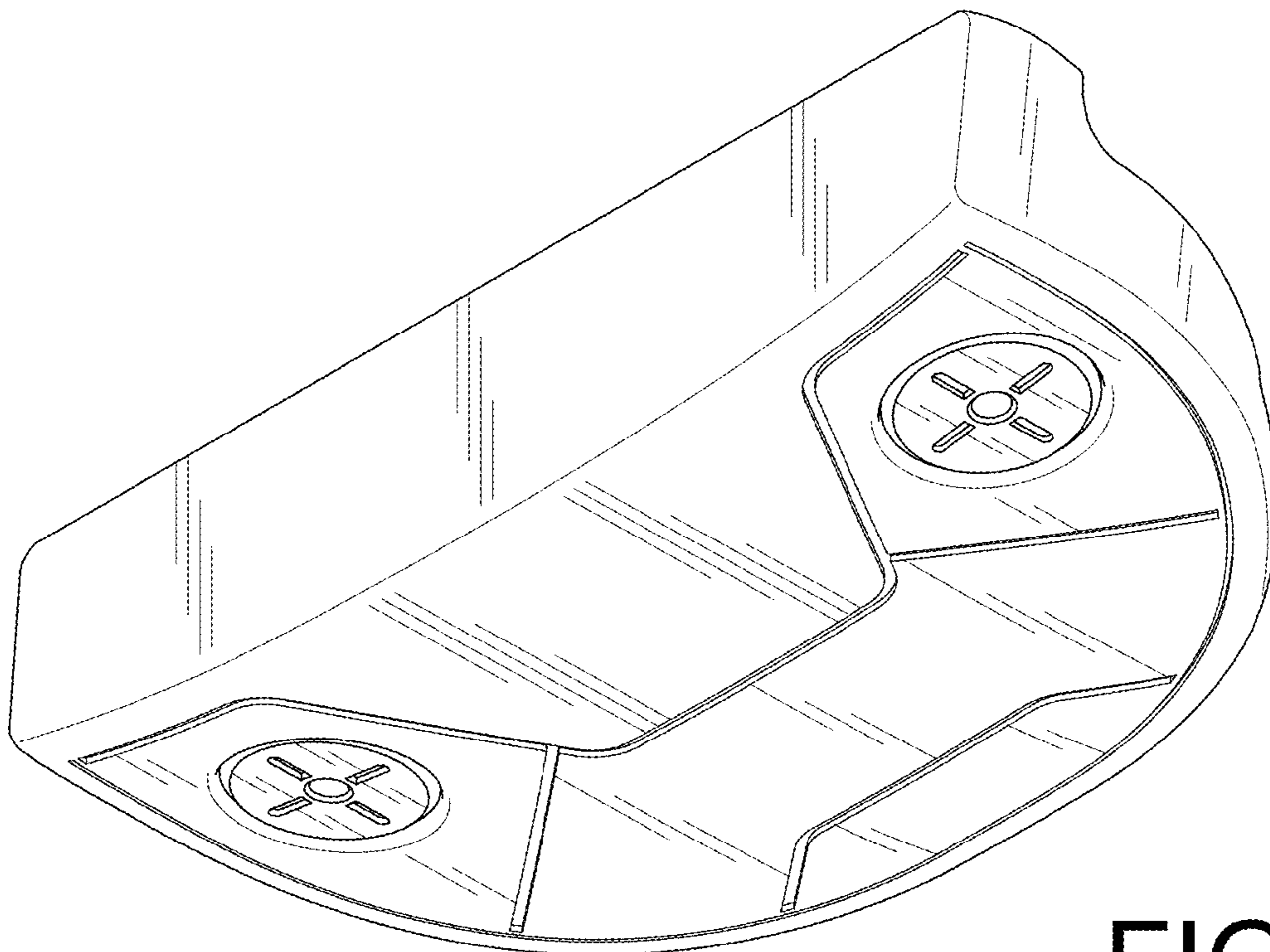


FIG. 2

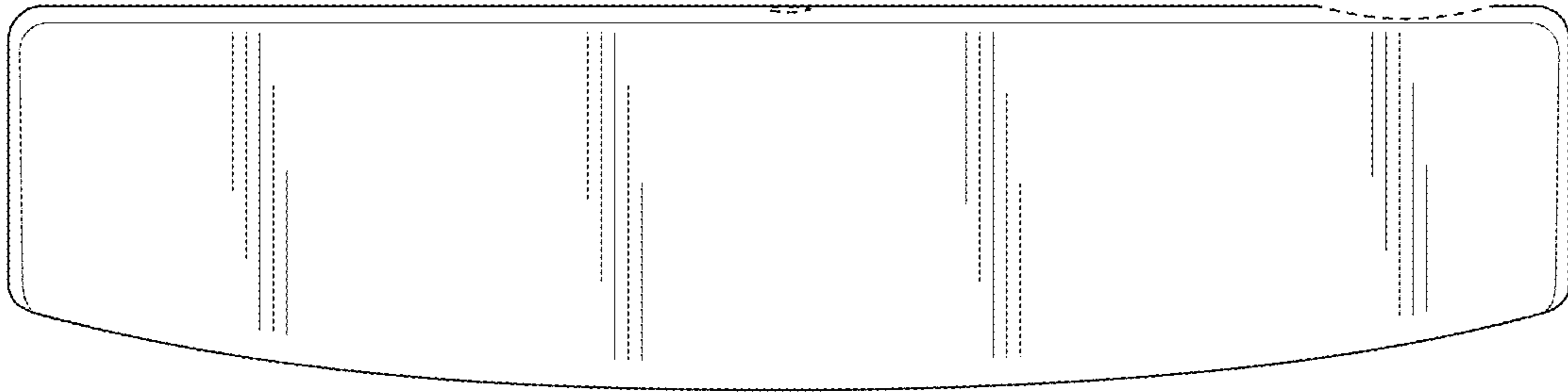


FIG.3

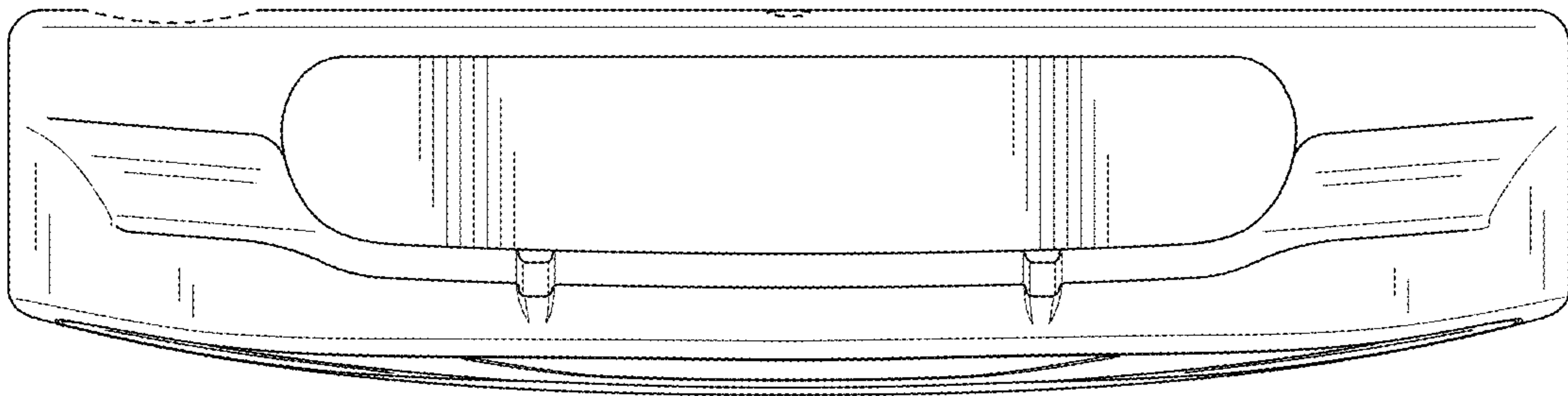


FIG.4

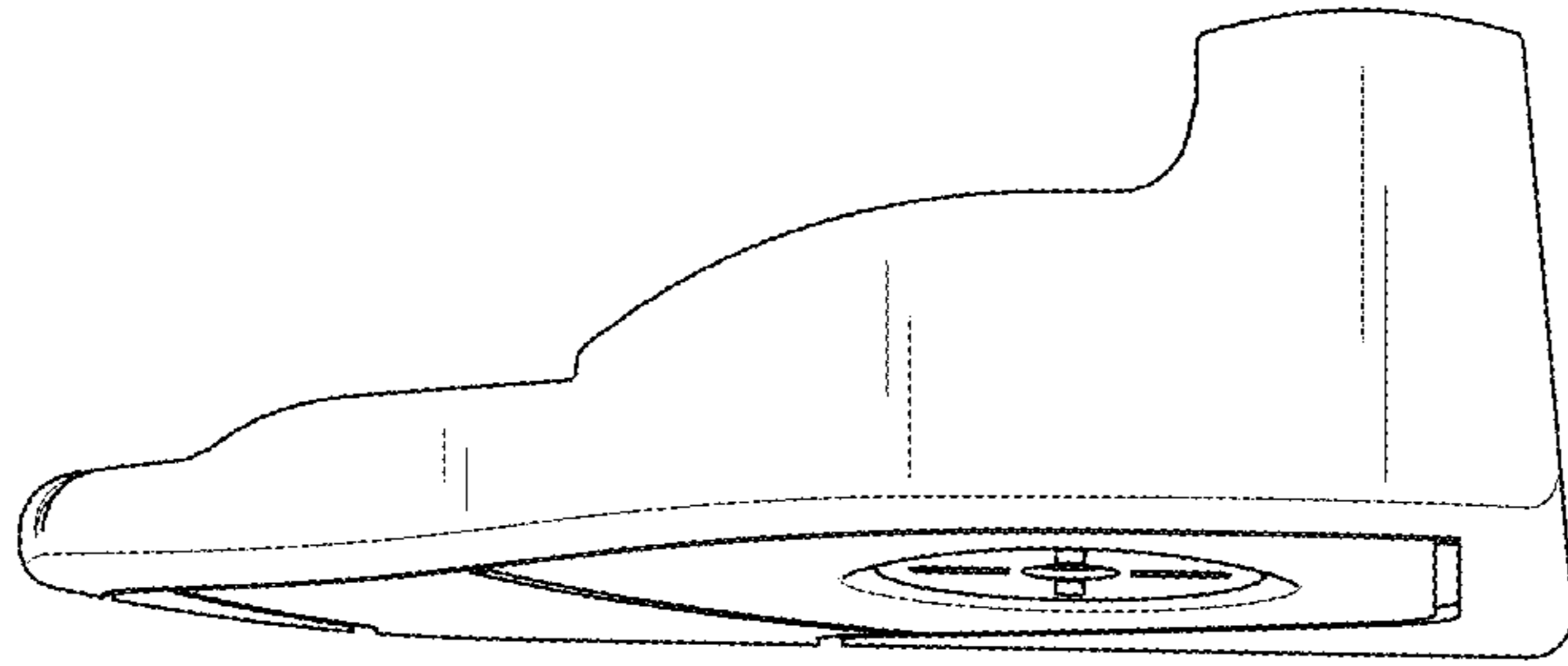


FIG.5

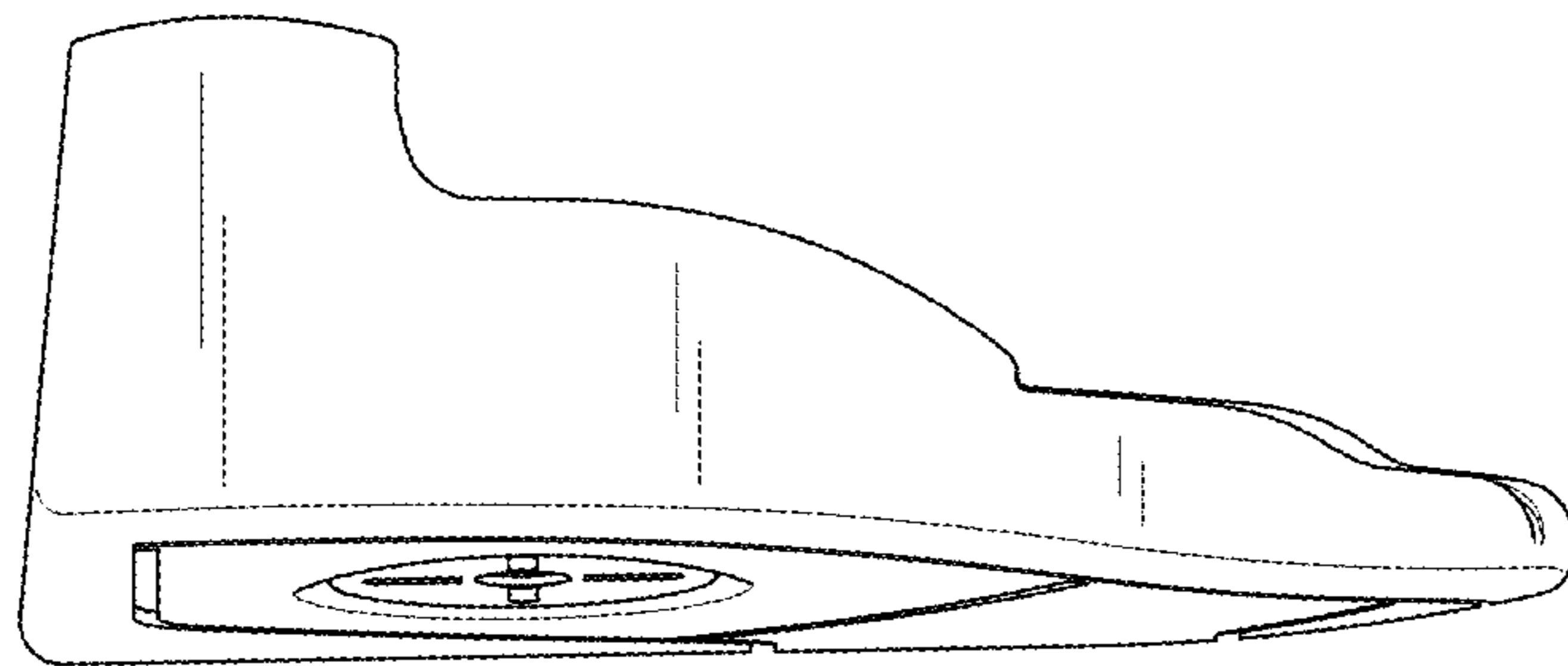


FIG.6

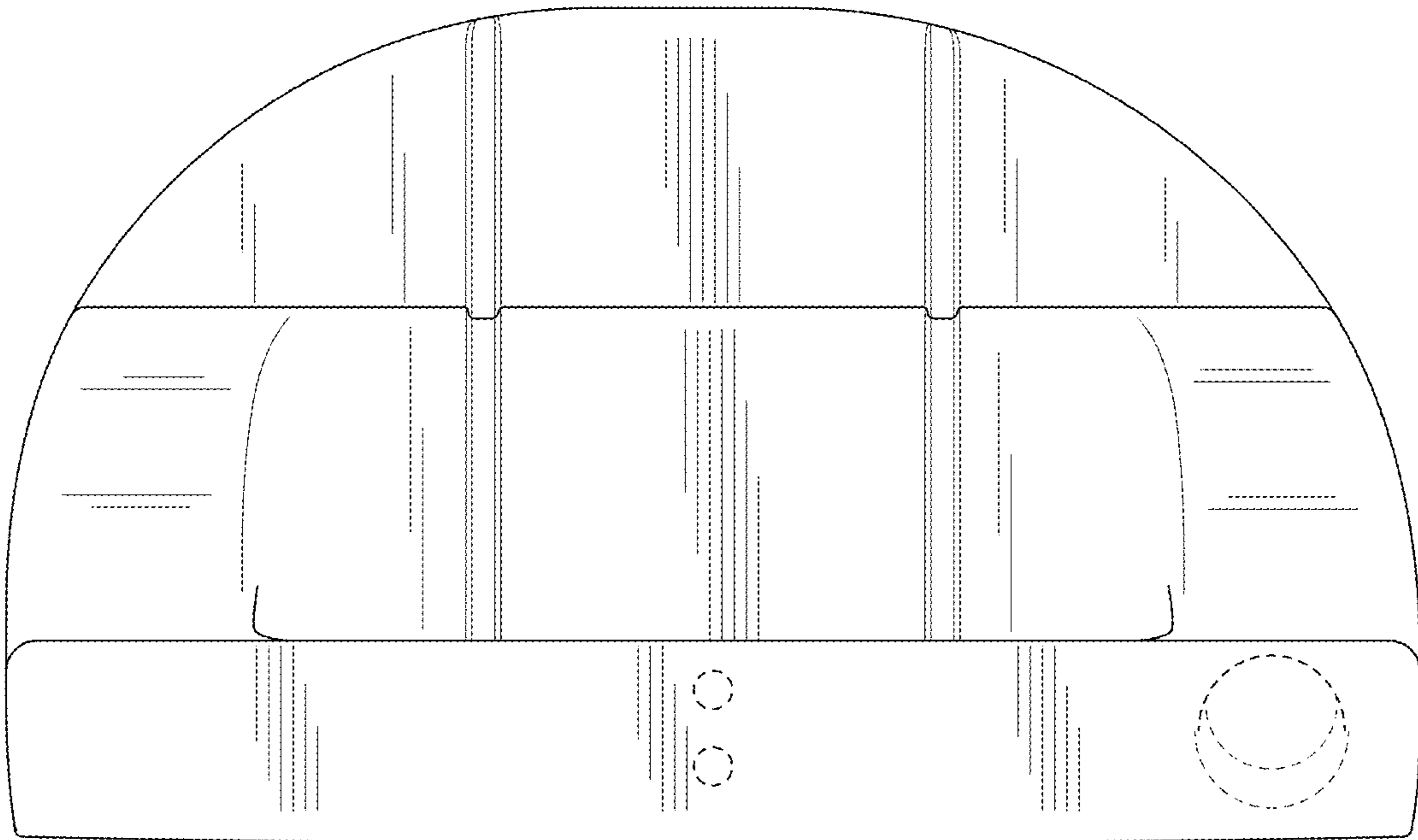


FIG. 7

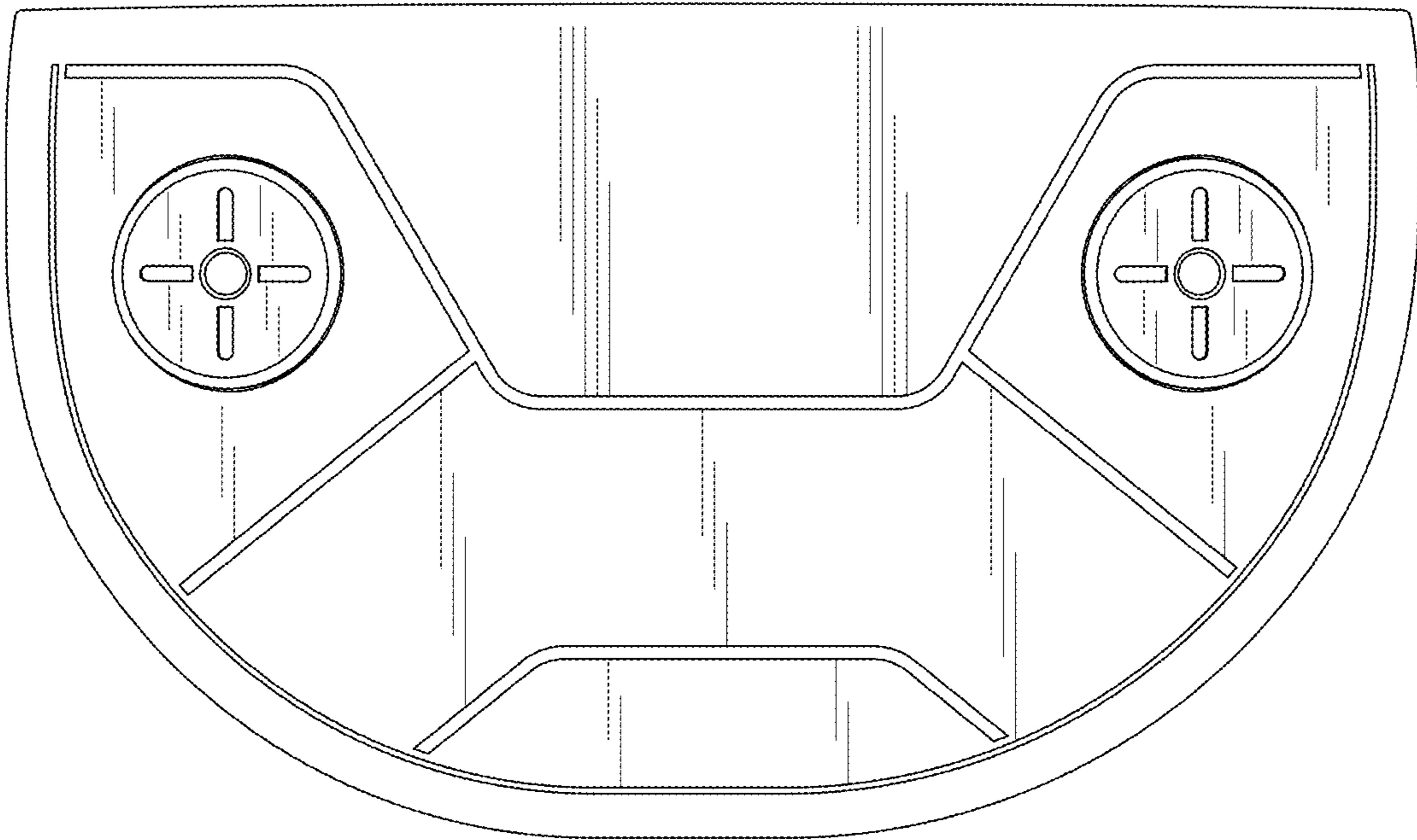


FIG. 8