



US00D929516S

(12) **United States Design Patent**
Wang et al.

(10) **Patent No.:** **US D929,516 S**
(45) **Date of Patent:** **** Aug. 31, 2021**

(54) **GOLF CLUB HEAD**

(71) Applicant: **KARSTEN MANUFACTURING CORPORATION**, Phoenix, AZ (US)

(72) Inventors: **Calvin S. Wang**, Chandler, AZ (US);
Anthony D. Serrano, Anthem, AZ (US); **David A. Higdon**, Cave Creek, AZ (US)

(73) Assignee: **Karsten Manufacturing Corporation**, Phoenix, AZ (US)

(**) Term: **15 Years**

(21) Appl. No.: **29/721,343**

(22) Filed: **Jan. 20, 2020**

(51) **LOC (13) Cl.** **21-02**

(52) **U.S. Cl.**
USPC **D21/744**

(58) **Field of Classification Search**
USPC D21/736-746, 759
CPC A63B 53/00; A63B 53/04; A63B 53/007;
A63B 53/065; A63B 53/0487; A63B
60/00; A63B 60/46
See application file for complete search history.

(56) **References Cited**

U.S. PATENT DOCUMENTS

D240,751 S *	7/1976	Taylor	D21/734
4,659,083 A	4/1987	Szczepanski		
D298,767 S *	11/1988	Szczepanski	D21/744
D316,129 S	4/1991	Bryson		
D356,356 S *	3/1995	Jacobs	D21/744
D360,010 S	7/1995	Green		
D366,919 S *	2/1996	Jacobs	D21/745
D375,131 S	10/1996	Williams		
D377,067 S *	12/1996	Wiens	D21/745
D382,615 S	8/1997	Schaeffer et al.		
5,685,784 A	11/1997	Butler		

D393,031 S *	3/1998	Cameron	D21/745
D399,900 S	10/1998	Hogan		
D401,636 S *	11/1998	Duclos	D21/742
D405,137 S *	2/1999	Nelson	D21/738
D458,979 S	6/2002	Hill et al.		
D488,200 S	4/2004	Olsavsky		
D496,417 S	9/2004	Tang		
D500,109 S	12/2004	Solheim		

(Continued)

Primary Examiner — Mitchell I. Siegel

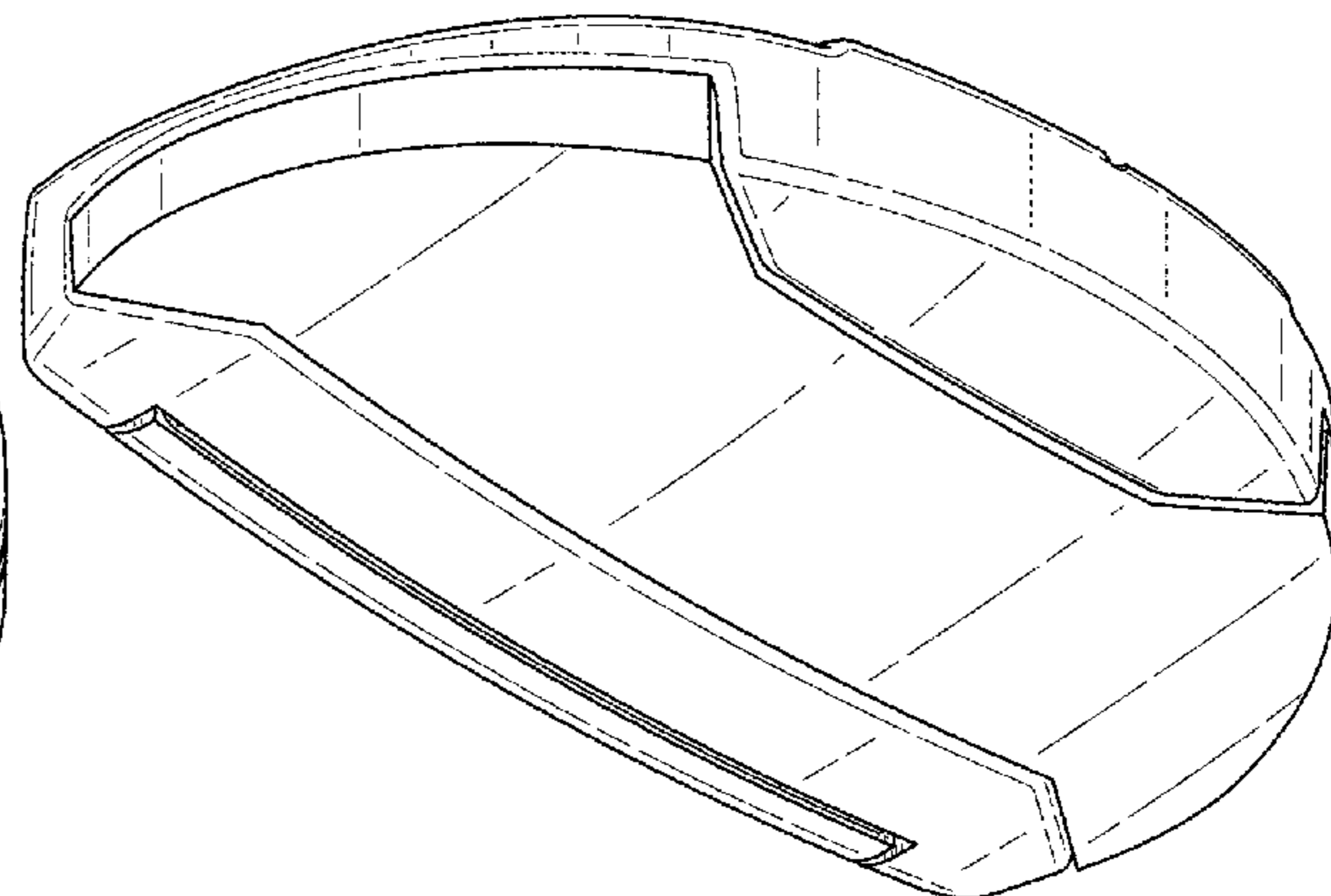
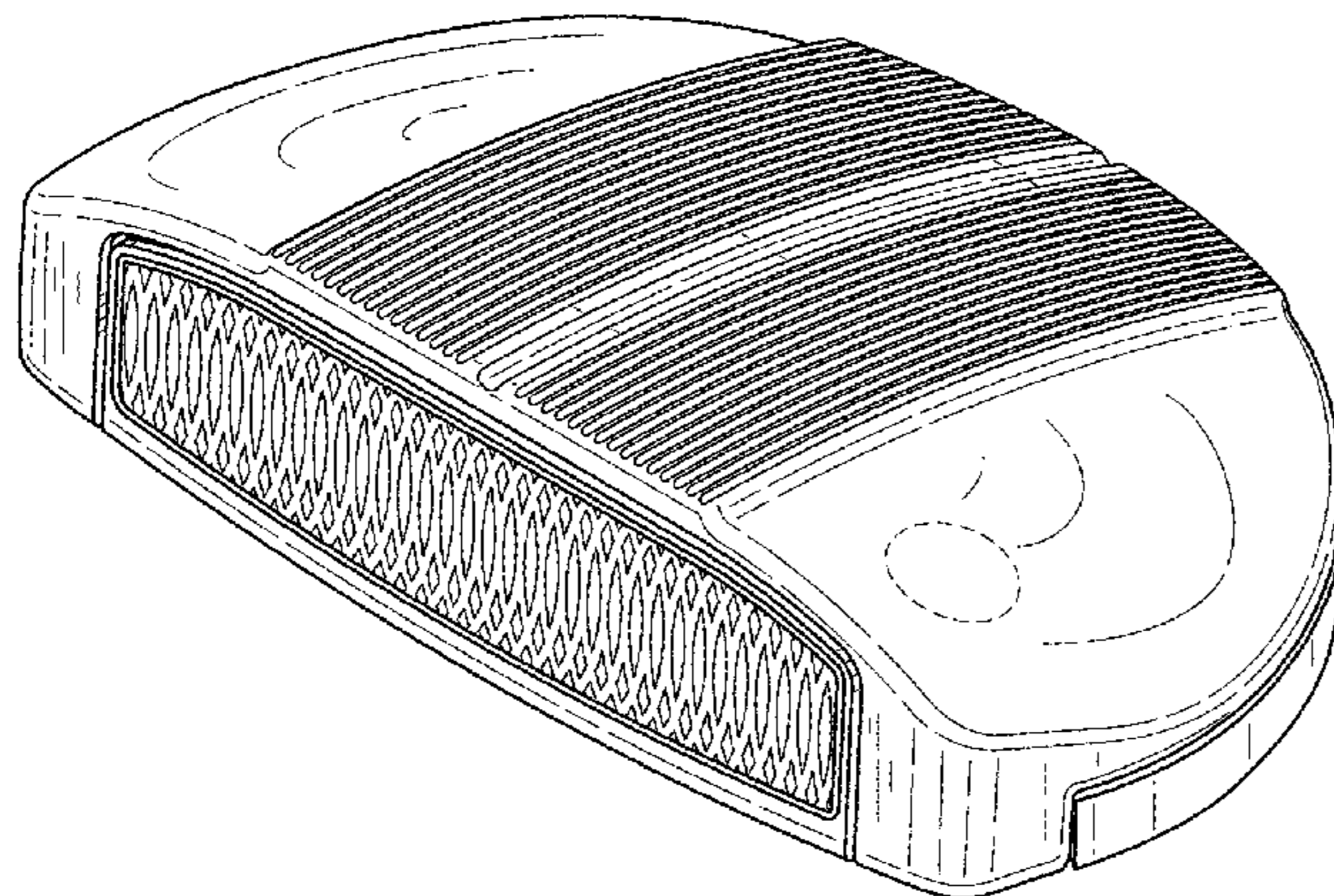
(57) **CLAIM**

The ornamental design for a golf club head, as shown and described.

DESCRIPTION

FIG. 1 is a top perspective view of a golf club head;
 FIG. 2 is a bottom perspective view of the golf club head of FIG. 1;
 FIG. 3 is a top view of the golf club head of FIG. 1;
 FIG. 4 is a bottom view of the golf club head of FIG. 1;
 FIG. 5 is a front view of the golf club head of FIG. 1;
 FIG. 6 is a rear view of the golf club head of FIG. 1;
 FIG. 7 is a heel side view of the golf club head of FIG. 1;
 FIG. 8 is a toe side view of the golf club head of FIG. 1;
 FIG. 9 is a top perspective view of a second embodiment of a golf club head;
 FIG. 10 is a bottom perspective view of the golf club head of FIG. 9;
 FIG. 11 is a top view of the golf club head of FIG. 9;
 FIG. 12 is a bottom view of the golf club head of FIG. 9;
 FIG. 13 is a front view of the golf club head of FIG. 9;
 FIG. 14 is a rear view of the golf club head of FIG. 9;
 FIG. 15 is a heel side view of the golf club head of FIG. 9;
 and,
 FIG. 16 is a toe side view of the golf club head of FIG. 9.
 The broken lines shown on the drawings form no part of the claimed design.

1 Claim, 10 Drawing Sheets



(56)

References Cited

U.S. PATENT DOCUMENTS

D500,110 S 12/2004 Solheim
 6,837,801 B1 1/2005 Souza et al.
 6,878,071 B1 4/2005 Schwieger et al.
 6,893,355 B2 5/2005 Souza et al.
 D507,612 S 7/2005 Souza
 D507,613 S 7/2005 Baiocchi
 6,926,615 B1 8/2005 Souza et al.
 6,960,140 B2 11/2005 Solheim et al.
 6,966,845 B2 11/2005 Solheim et al.
 D520,584 S 5/2006 Karlsen
 D521,582 S 5/2006 Souza
 7,052,411 B2 5/2006 Solheim et al.
 D522,598 S 6/2006 Solheim
 7,077,758 B2 7/2006 Rohrer
 7,086,957 B2 8/2006 Solheim et al.
 D529,108 S 9/2006 Stites
 D533,243 S 12/2006 Fife
 7,235,021 B2 6/2007 Solheim et al.
 D548,295 S 8/2007 Jertson
 7,255,650 B2 8/2007 Braynt et al.
 D552,197 S 10/2007 Wells
 D565,137 S 3/2008 Oldknow
 D569,460 S 5/2008 Walker
 D569,462 S 5/2008 Rollinson
 D571,879 S 5/2008 Jones et al.
 D571,420 S * 6/2008 Stites D21/742
 D574,907 S 8/2008 Jones et al.
 D581,473 S 11/2008 Thomas
 D583,003 S 12/2008 Solheim
 D587,325 S 2/2009 Solheim
 D591,806 S * 5/2009 Cameron D21/743
 D594,073 S 6/2009 Kadoya
 D595,372 S 6/2009 Rollinson
 D600,294 S 9/2009 Mills
 D600,760 S 9/2009 Serrano

D600,761 S 9/2009 Solheim
 D600,762 S 9/2009 Serrano
 D607,950 S 1/2010 Souza
 D621,458 S 8/2010 Serrano
 D621,460 S 8/2010 Serrano
 D621,461 S 8/2010 Serrano
 D621,462 S 8/2010 Serrano
 D621,891 S 8/2010 Serrano
 7,803,066 B2 9/2010 Solheim et al.
 D638,891 S 5/2011 Nicolette
 D643,080 S 8/2011 Serrano
 D643,485 S 8/2011 Nicolette et al.
 D643,486 S 8/2011 Serrano
 D643,487 S 8/2011 Serrano
 8,100,779 B2 1/2012 Solheim et al.
 D653,718 S 2/2012 Stokke
 8,109,838 B2 2/2012 Solheim et al.
 D664,617 S 7/2012 Serrano
 D711,483 S * 8/2014 Wong D21/743
 D715,388 S 10/2014 Serrano
 D735,283 S 7/2015 Solheim
 D742,980 S * 11/2015 Cameron D21/759
 D754,805 S 4/2016 Serrano
 D774,610 S 12/2016 Serrano et al.
 D776,771 S 1/2017 Peterson
 D797,222 S * 9/2017 Serrano D21/744
 D832,950 S 11/2018 Serrano
 D865,091 S * 10/2019 Rollinson D21/744
 D879,222 S * 3/2020 Serrano D21/742
 D905,185 S * 12/2020 Rollinson D21/759
 D907,731 S * 1/2021 Rollinson D21/759
 D909,518 S * 2/2021 Rollinson D21/759
 2003/0083149 A1 5/2003 Scarpa et al.
 2006/0094533 A1 5/2006 Warren et al.
 2006/0166755 A1 7/2006 Brown
 2007/0191135 A1 8/2007 Nilsson et al.
 2010/0227704 A1 9/2010 Souza et al.
 2014/0179459 A1 6/2014 Schartiger et al.

* cited by examiner

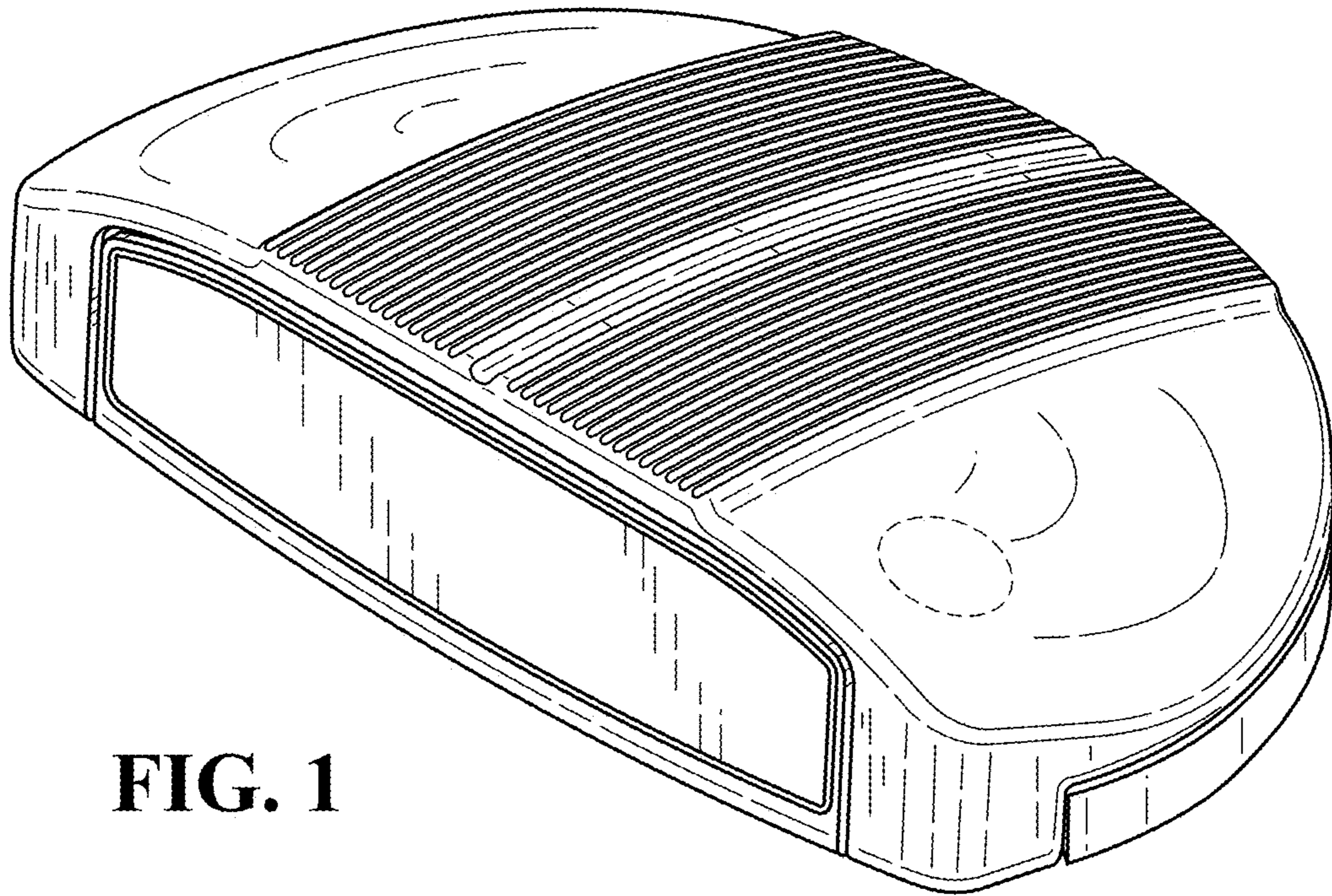


FIG. 1

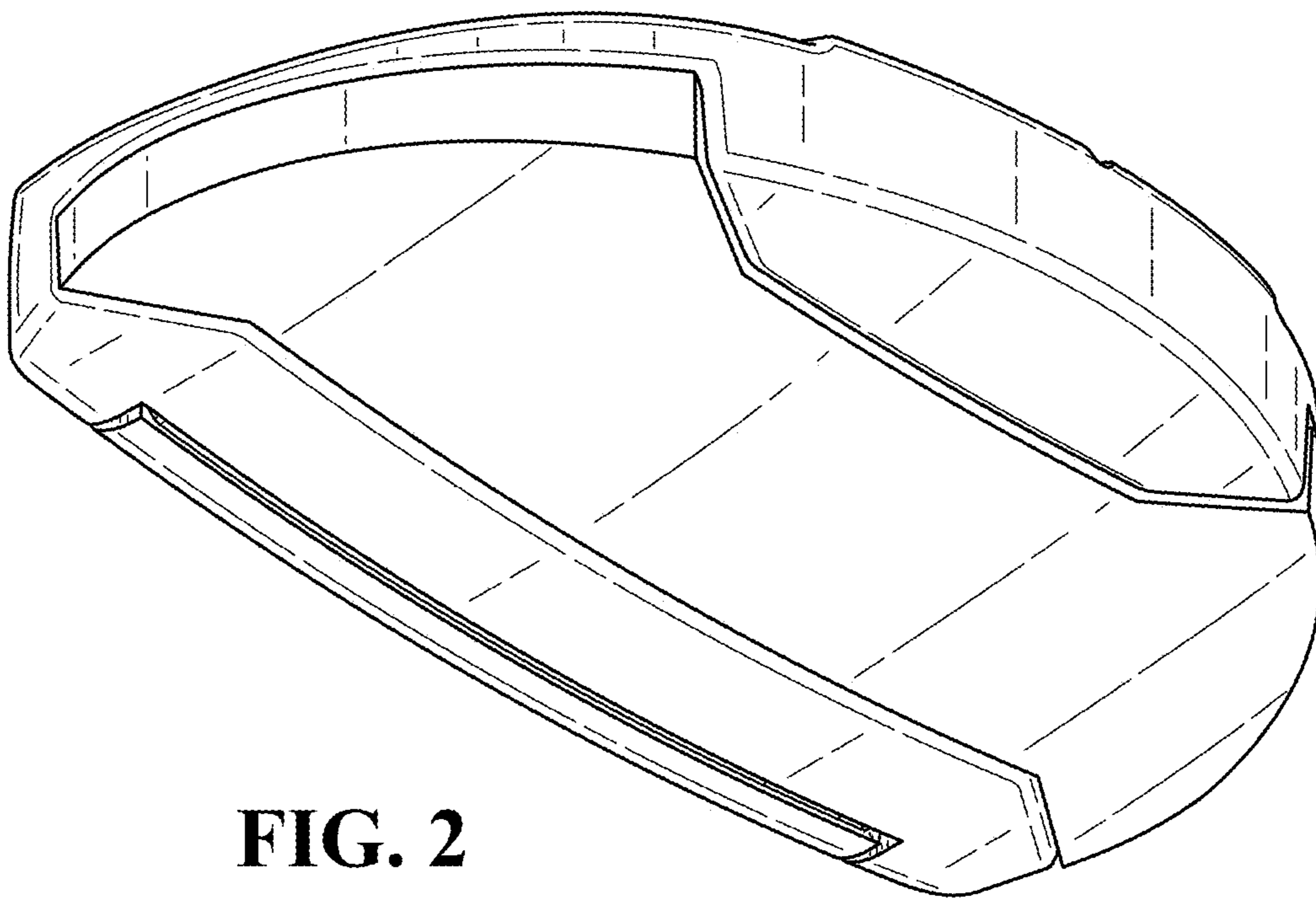


FIG. 2

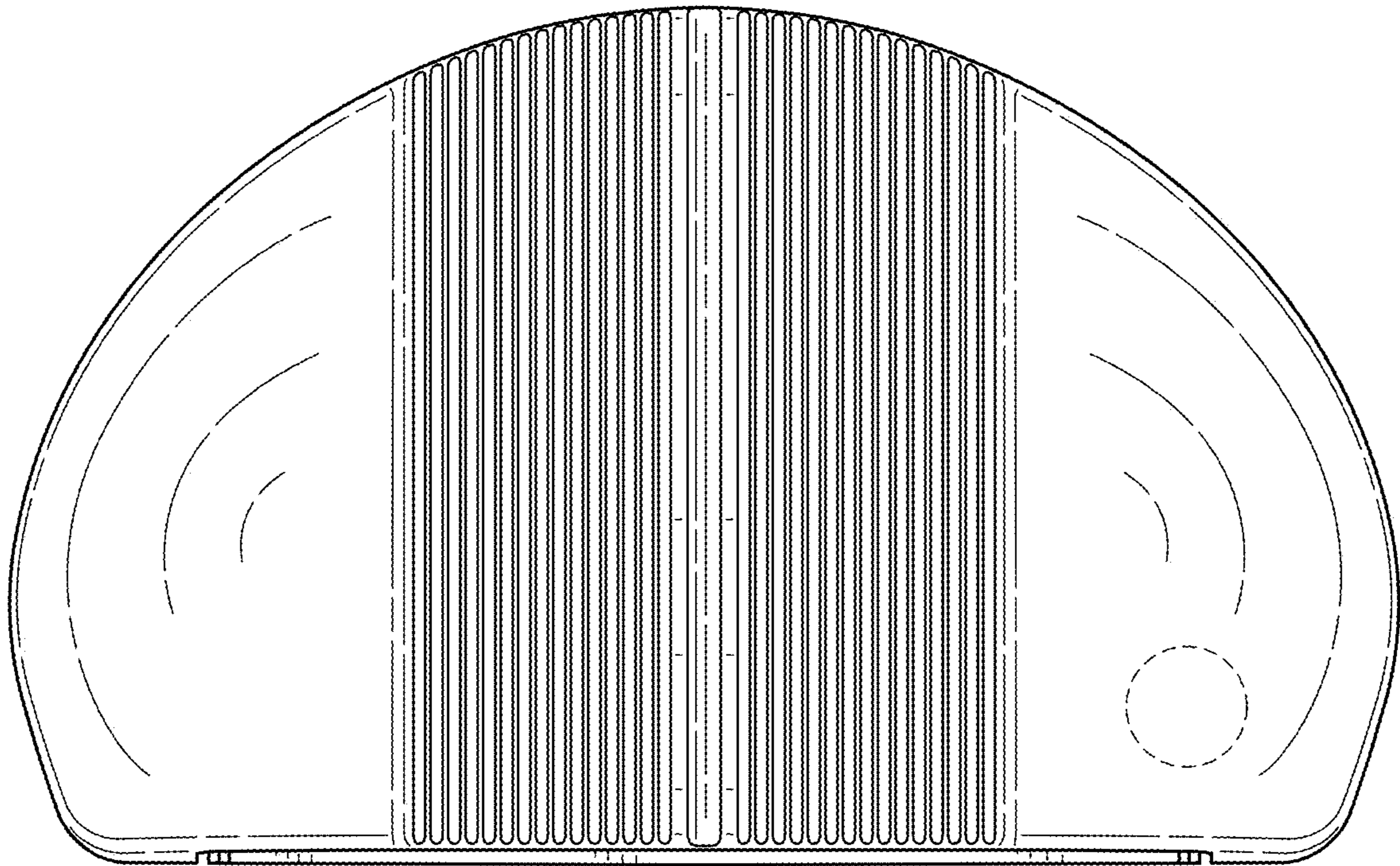


FIG. 3

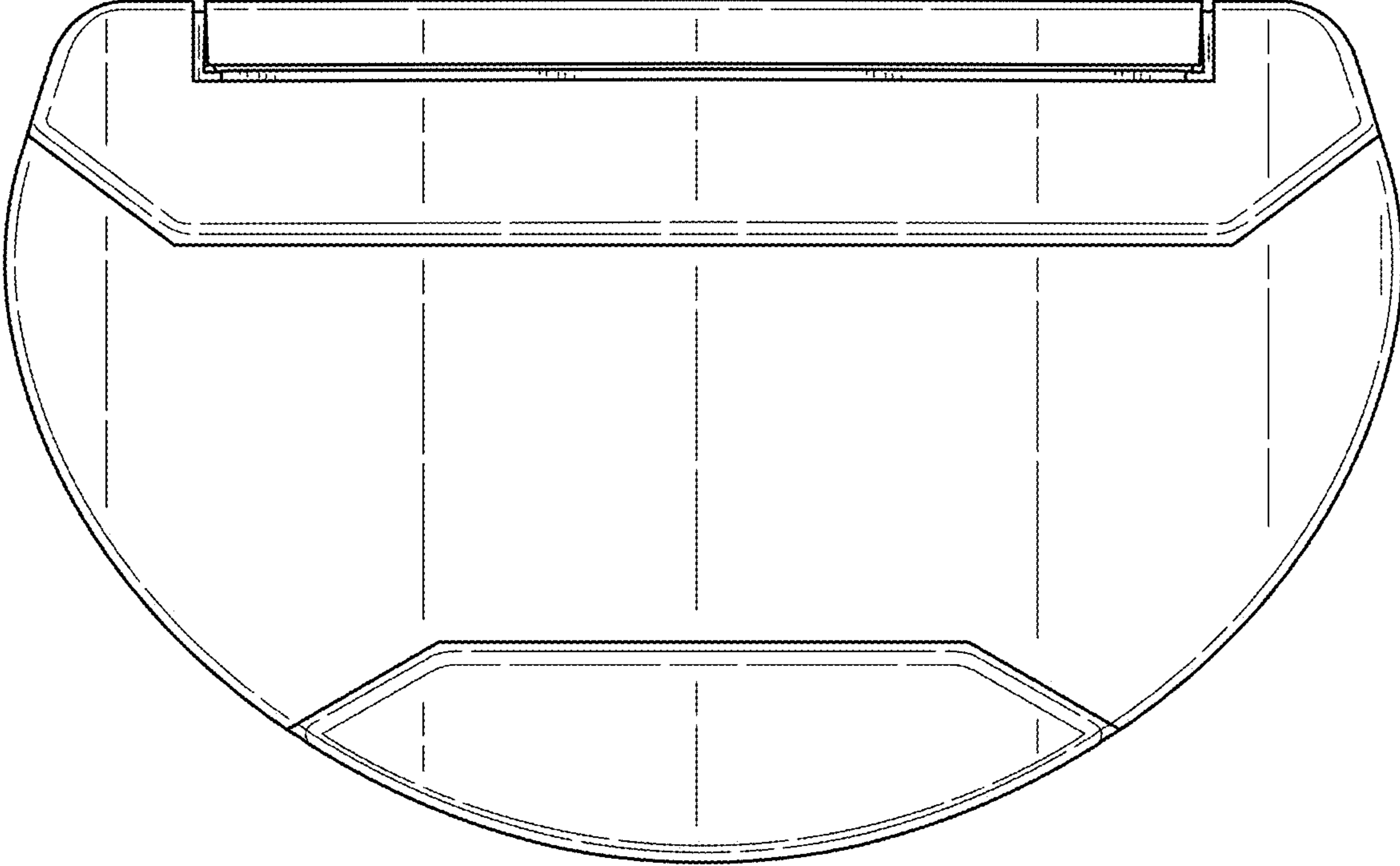


FIG. 4

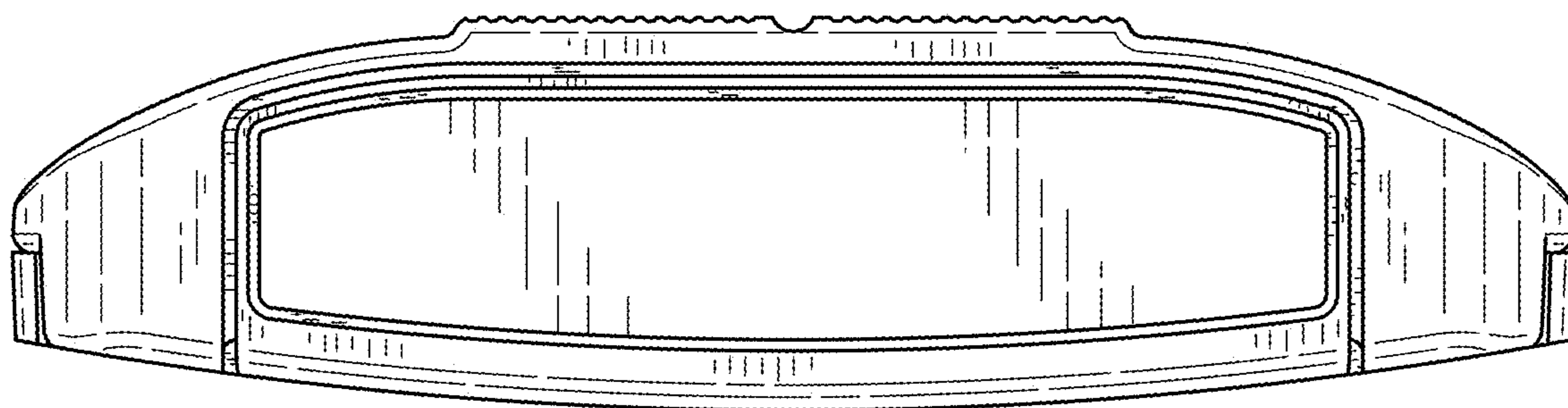


FIG. 5

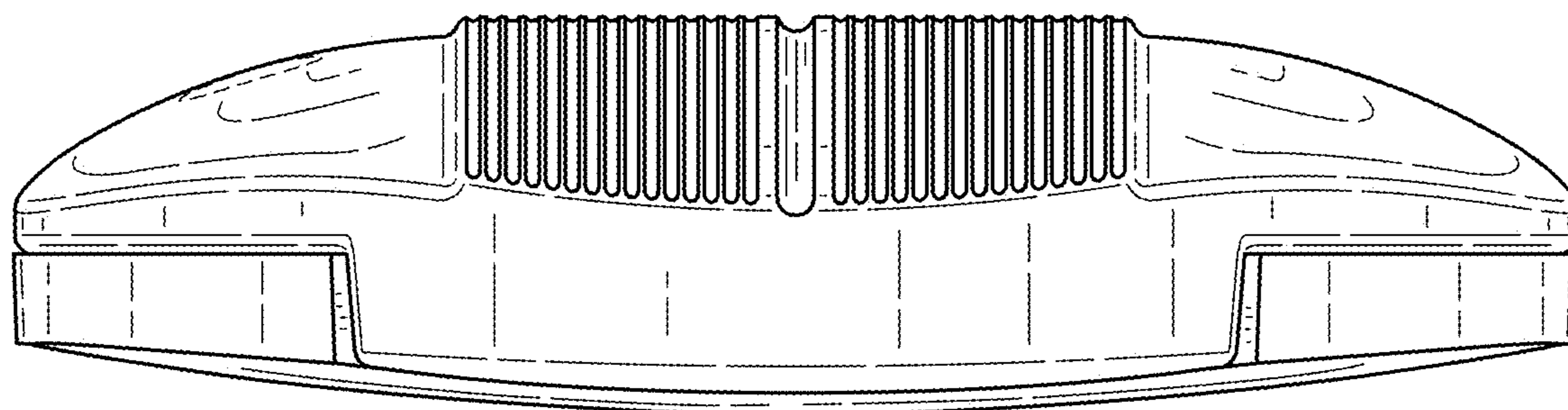


FIG. 6

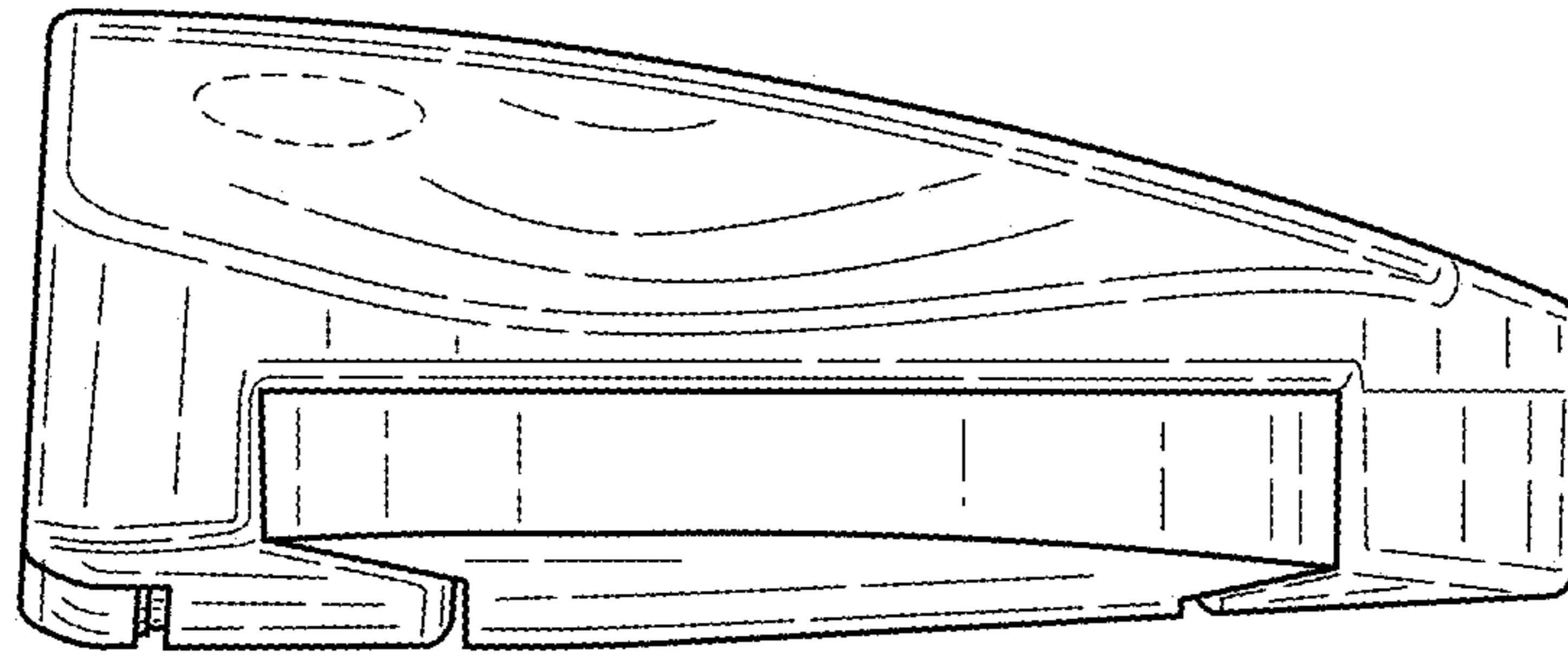


FIG. 7

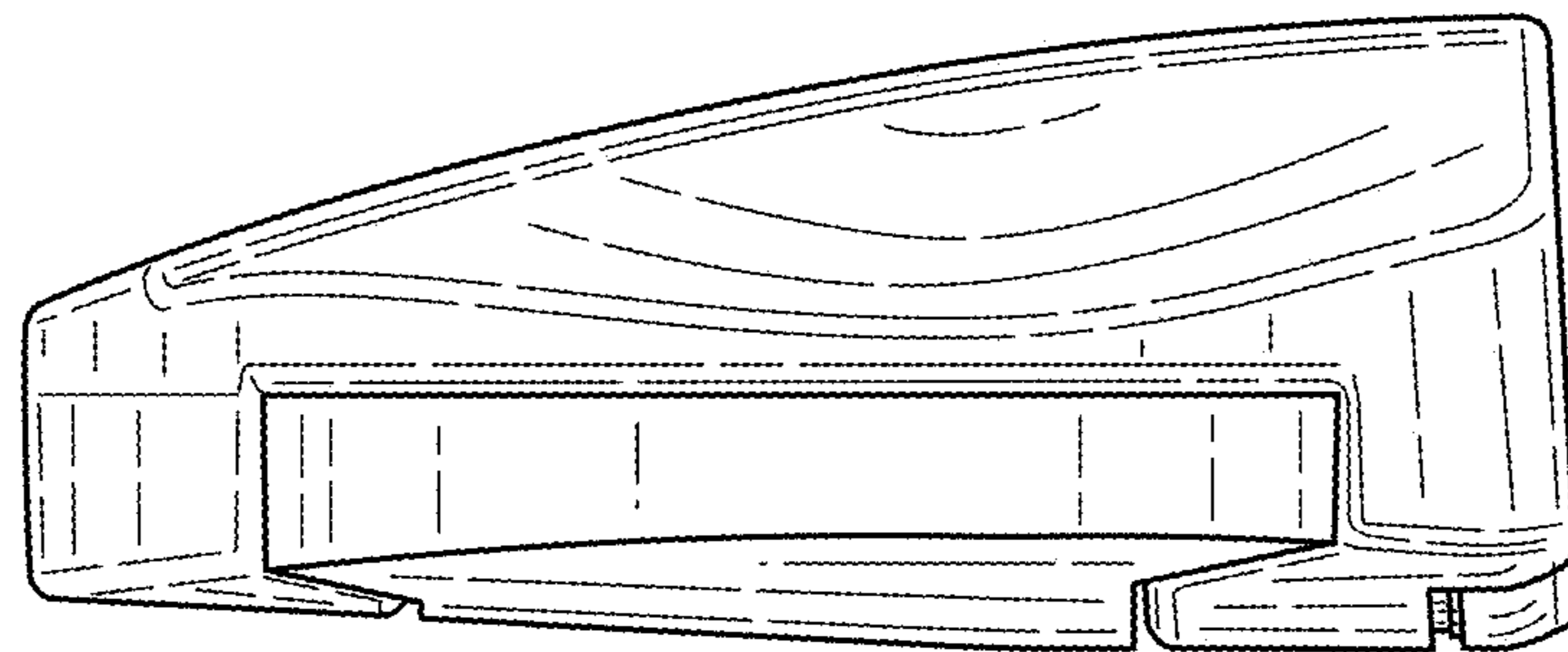


FIG. 8

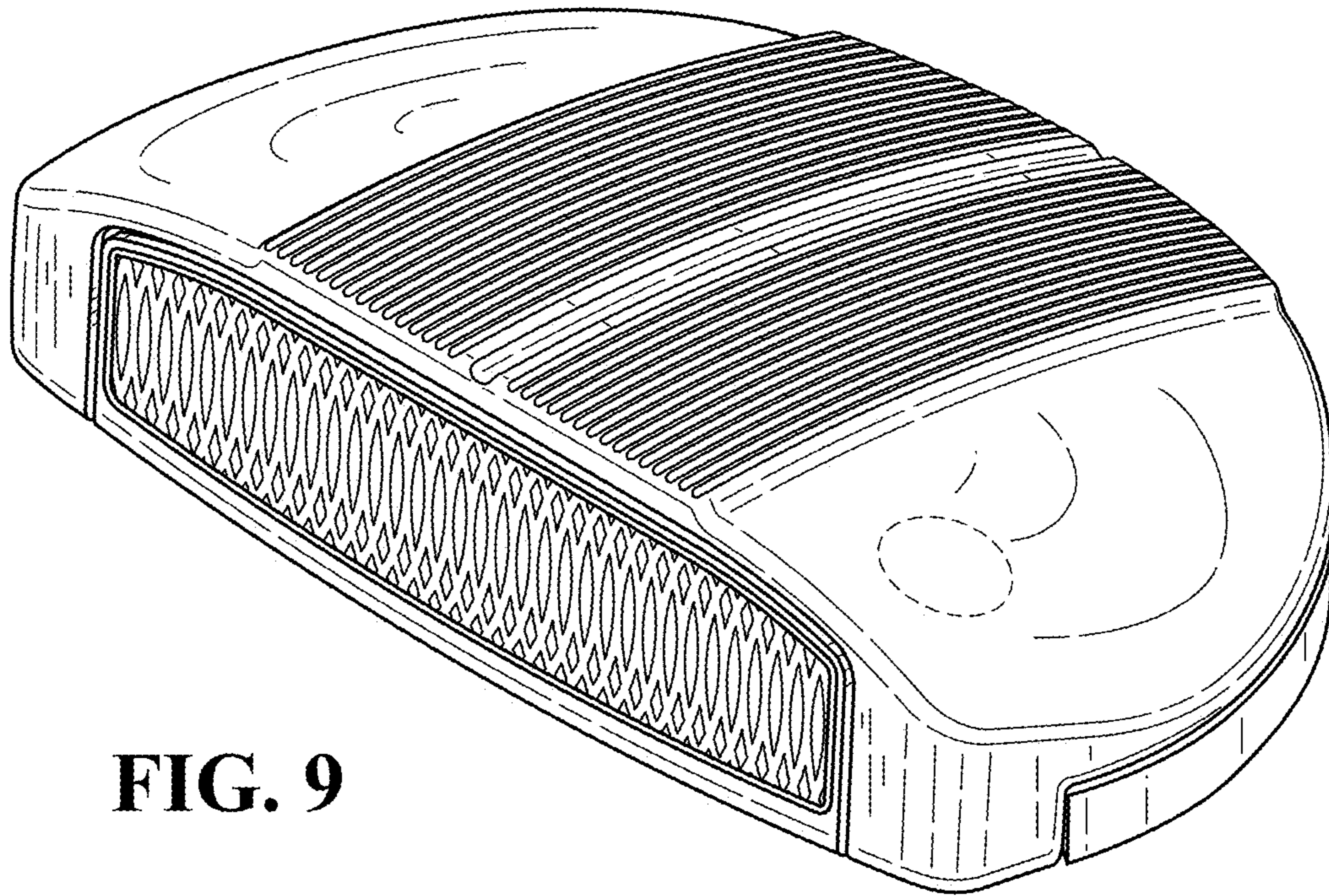


FIG. 9

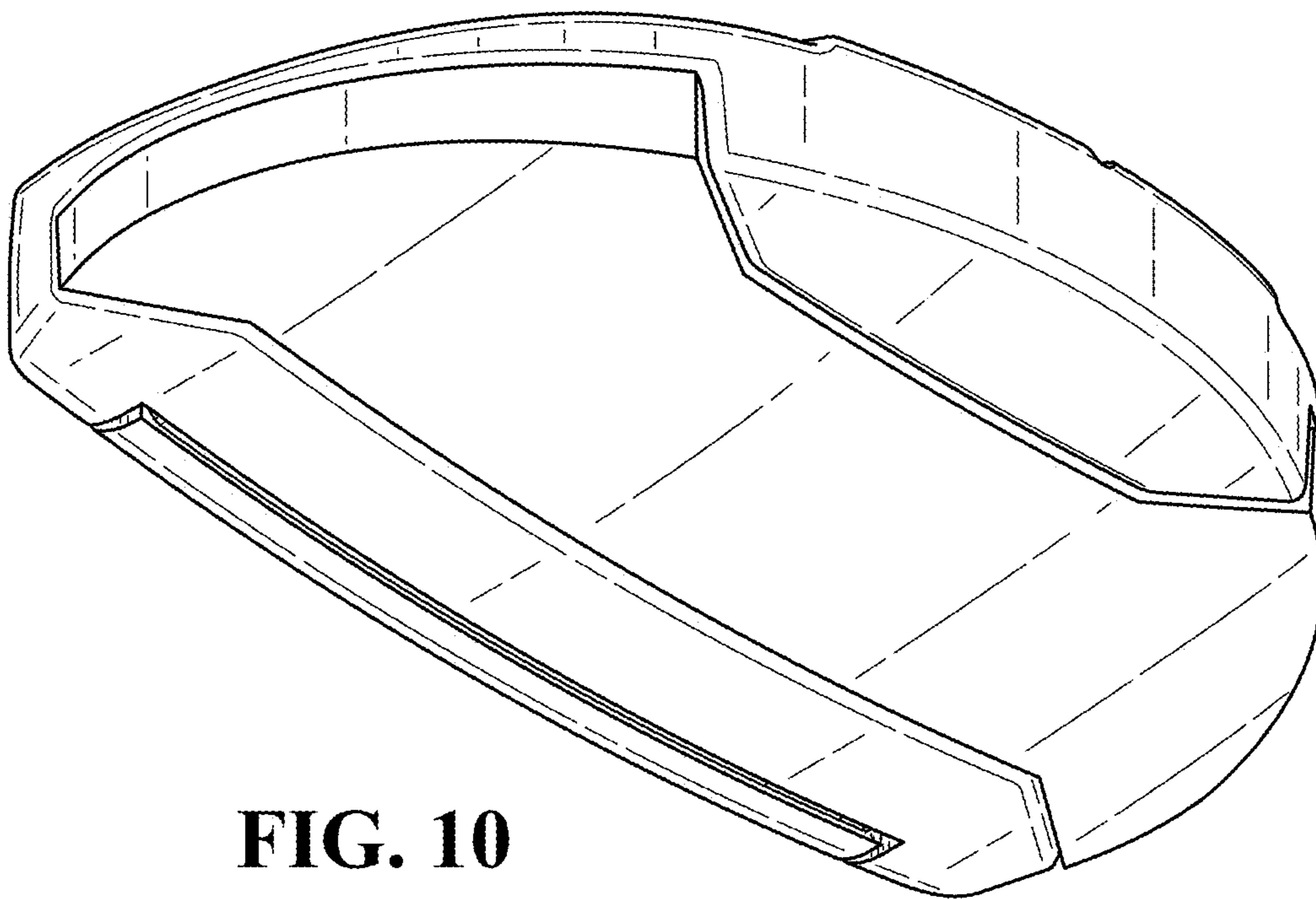


FIG. 10

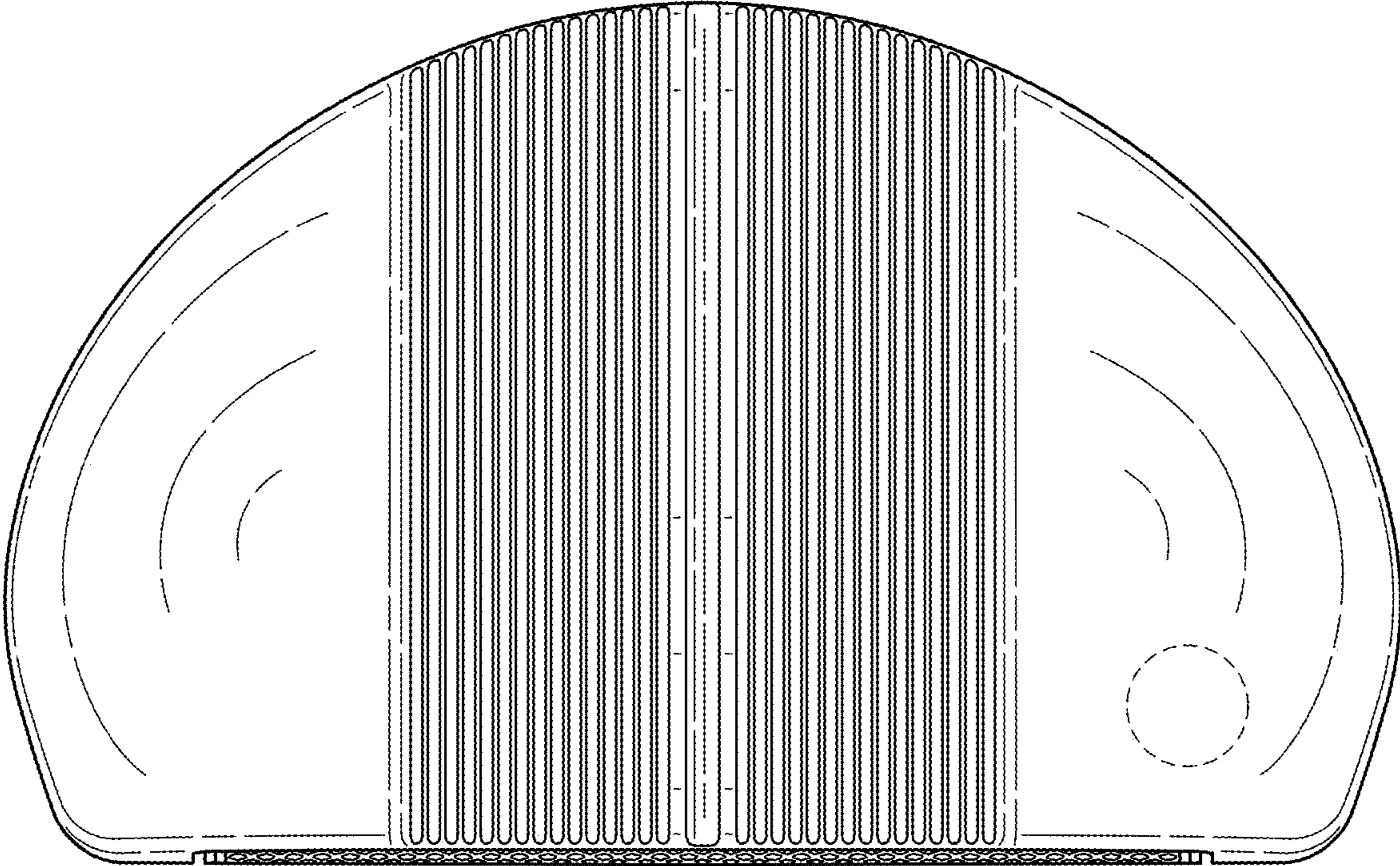


FIG. 11

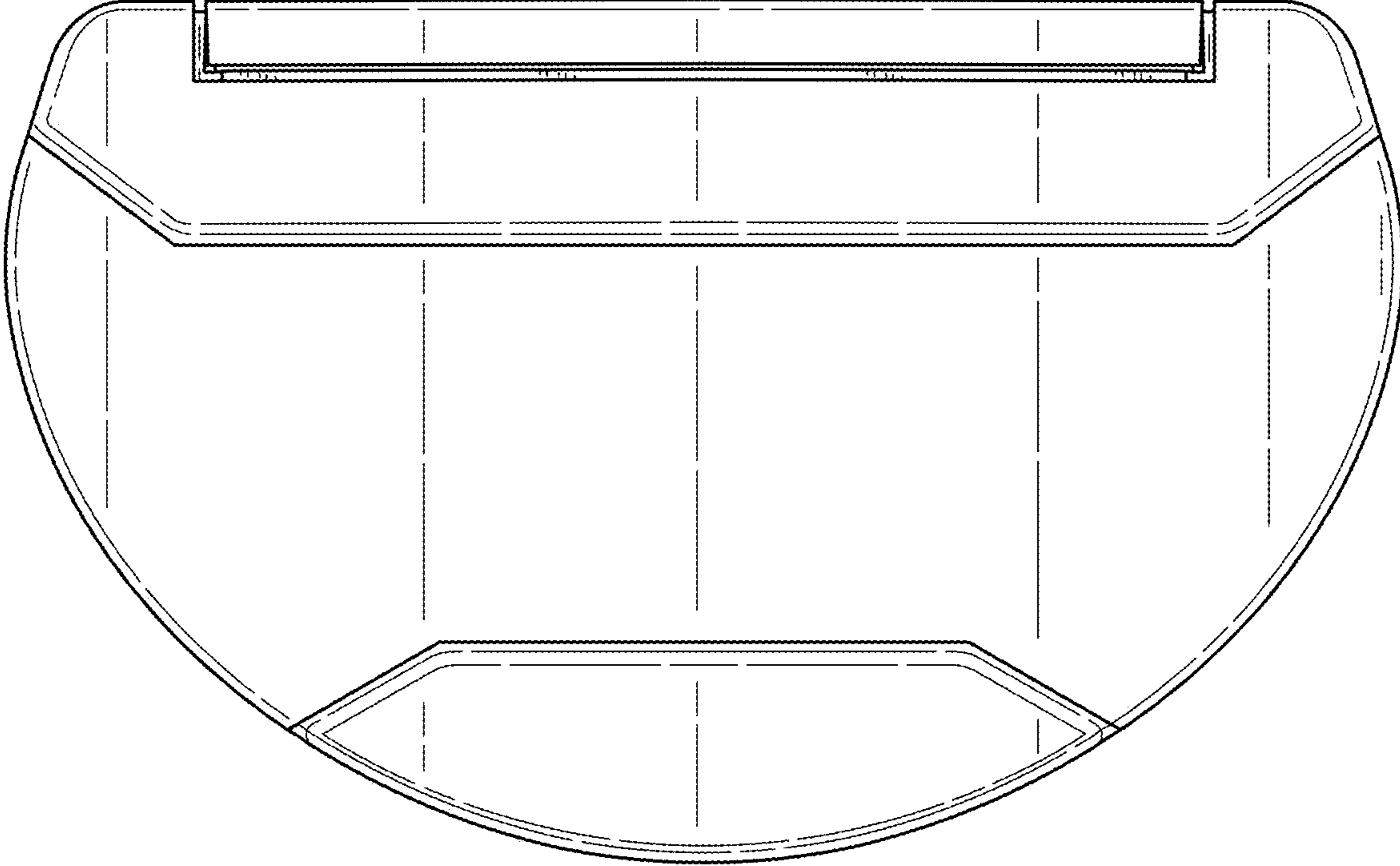


FIG. 12

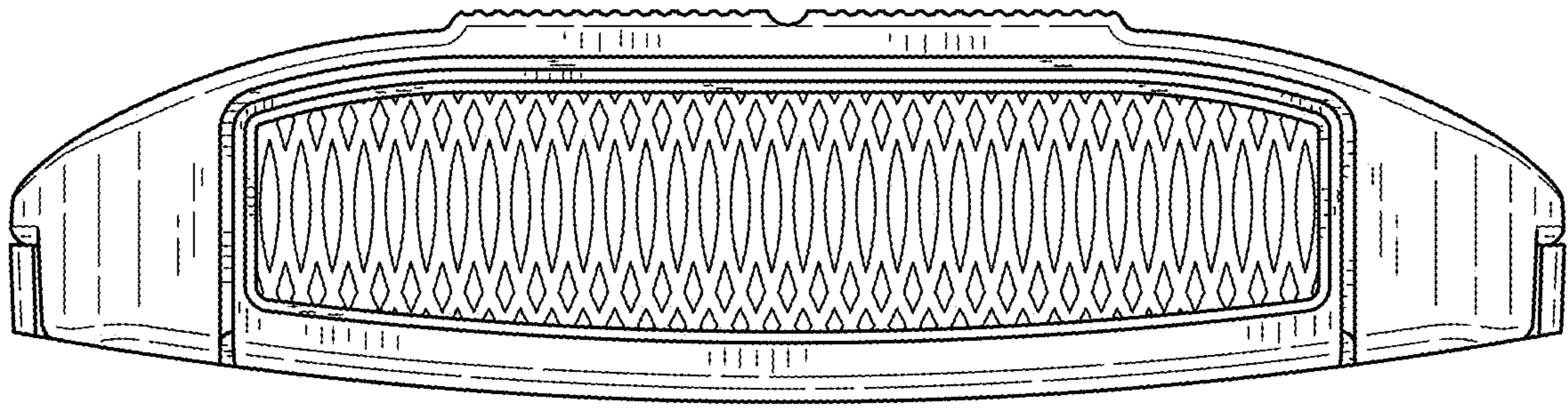


FIG. 13

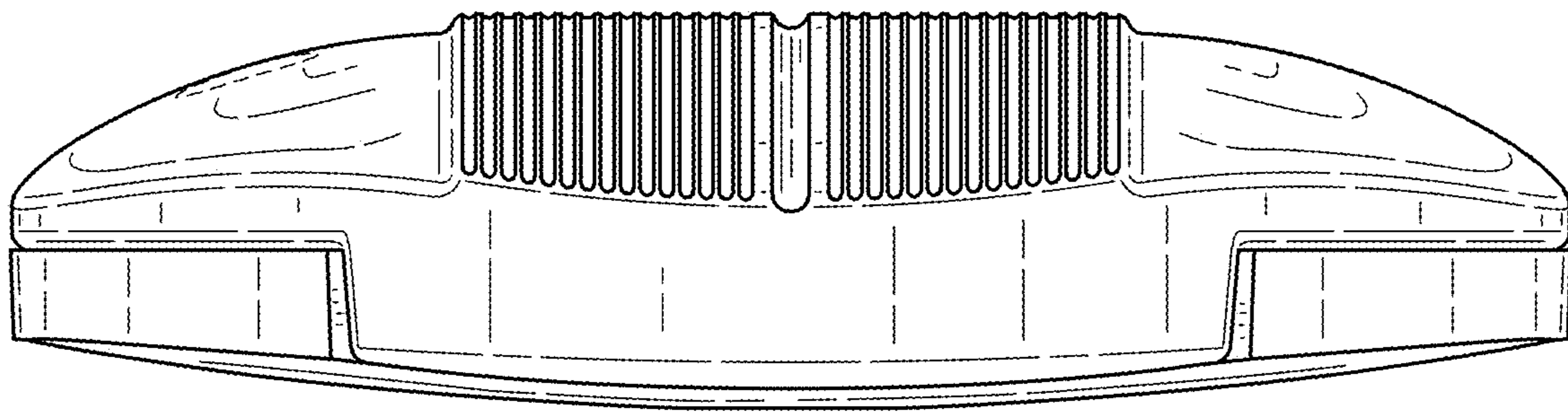


FIG. 14

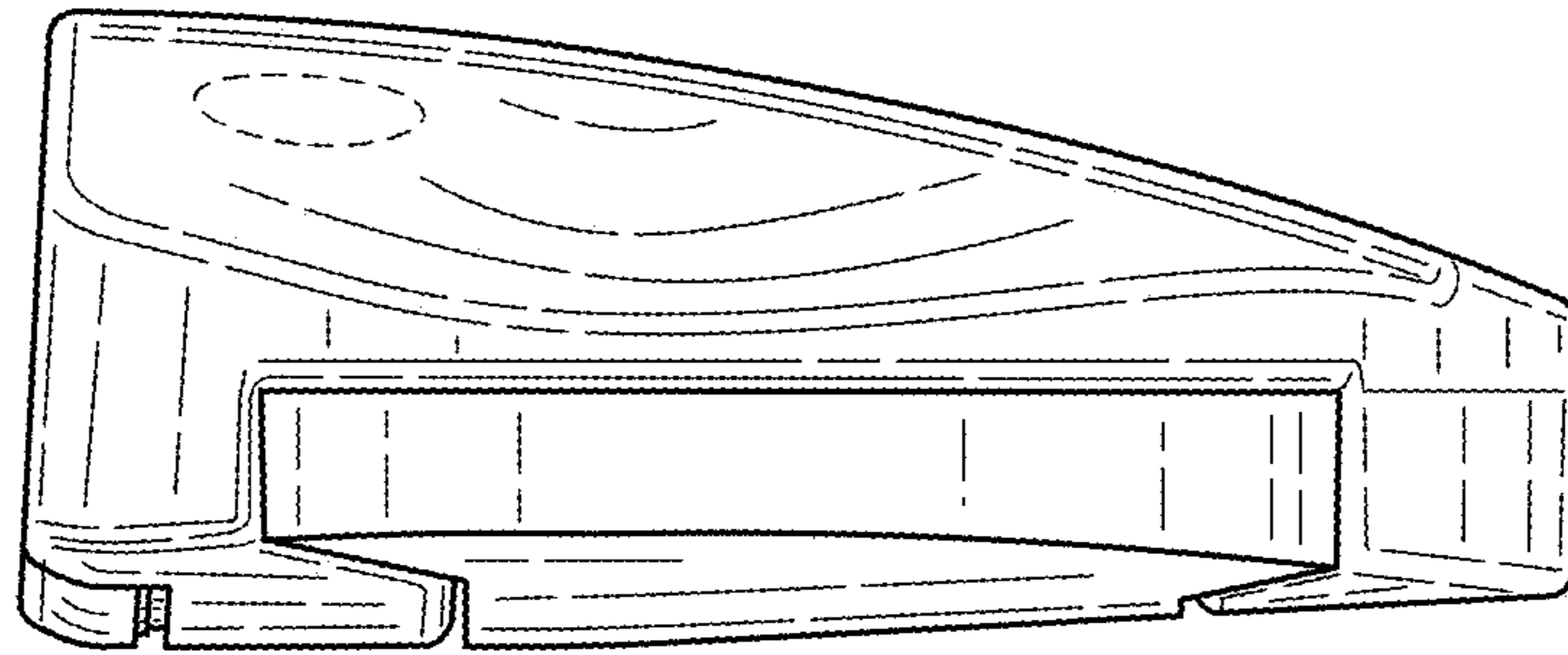


FIG. 15

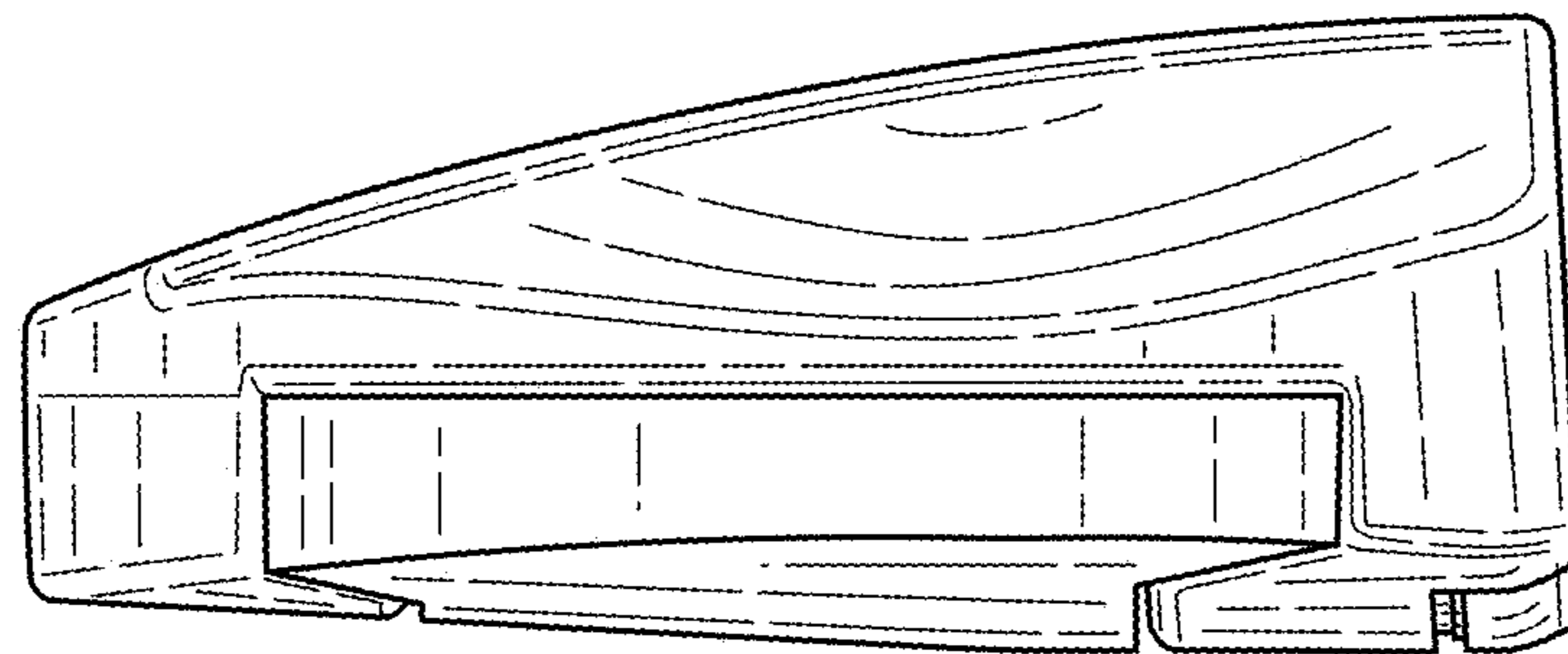


FIG. 16