



US00D929515S

(12) **United States Design Patent**
Wang et al.

(10) **Patent No.:** **US D929,515 S**

(45) **Date of Patent:** **** Aug. 31, 2021**

(54) **GOLF CLUB HEAD**

(71) Applicant: **KARSTEN MANUFACTURING CORPORATION**, Phoenix, AZ (US)

(72) Inventors: **Calvin S. Wang**, Chandler, AZ (US);
Anthony D. Serrano, Anthem, AZ (US); **David A. Higdon**, Cave Creek, AZ (US)

(73) Assignee: **KARSTEN MANUFACTURING CORPORATION**, Phoenix, AZ (US)

(**) Term: **15 Years**

(21) Appl. No.: **29/721,344**

(22) Filed: **Jan. 20, 2020**

(51) **LOC (13) Cl.** **21-02**

(52) **U.S. Cl.**
USPC **D21/743**

(58) **Field of Classification Search**
USPC D21/736-746, 759
CPC A63B 53/00; A63B 53/04; A63B 53/007;
A63B 53/065; A63B 53/0487; A63B
60/00; A63B 60/46
See application file for complete search history.

(56) **References Cited**

U.S. PATENT DOCUMENTS

D196,734 S	10/1963	Solheim
D202,715 S	11/1965	Solheim
D203,512 S	1/1966	Solheim
D207,227 S	3/1967	Solheim
D207,228 S	3/1967	Solheim
D209,761 S	1/1968	Solheim
D213,509 S	3/1969	Solheim
D218,178 S	7/1970	Solheim
D231,375 S	4/1974	Solheim
D235,668 S	7/1975	Swash
D239,778 S	5/1976	Solheim

3,954,265 A	5/1976	Taylor
D255,373 S	6/1980	Solheim
D263,614 S	3/1982	Solheim
4,527,799 A	7/1985	Solheim
D283,039 S	3/1986	Solheim
4,834,387 A	5/1989	Waites et al.
D315,005 S	2/1991	Solheim
D324,555 S	3/1992	Evans

(Continued)

Primary Examiner — Mitchell I. Siegel

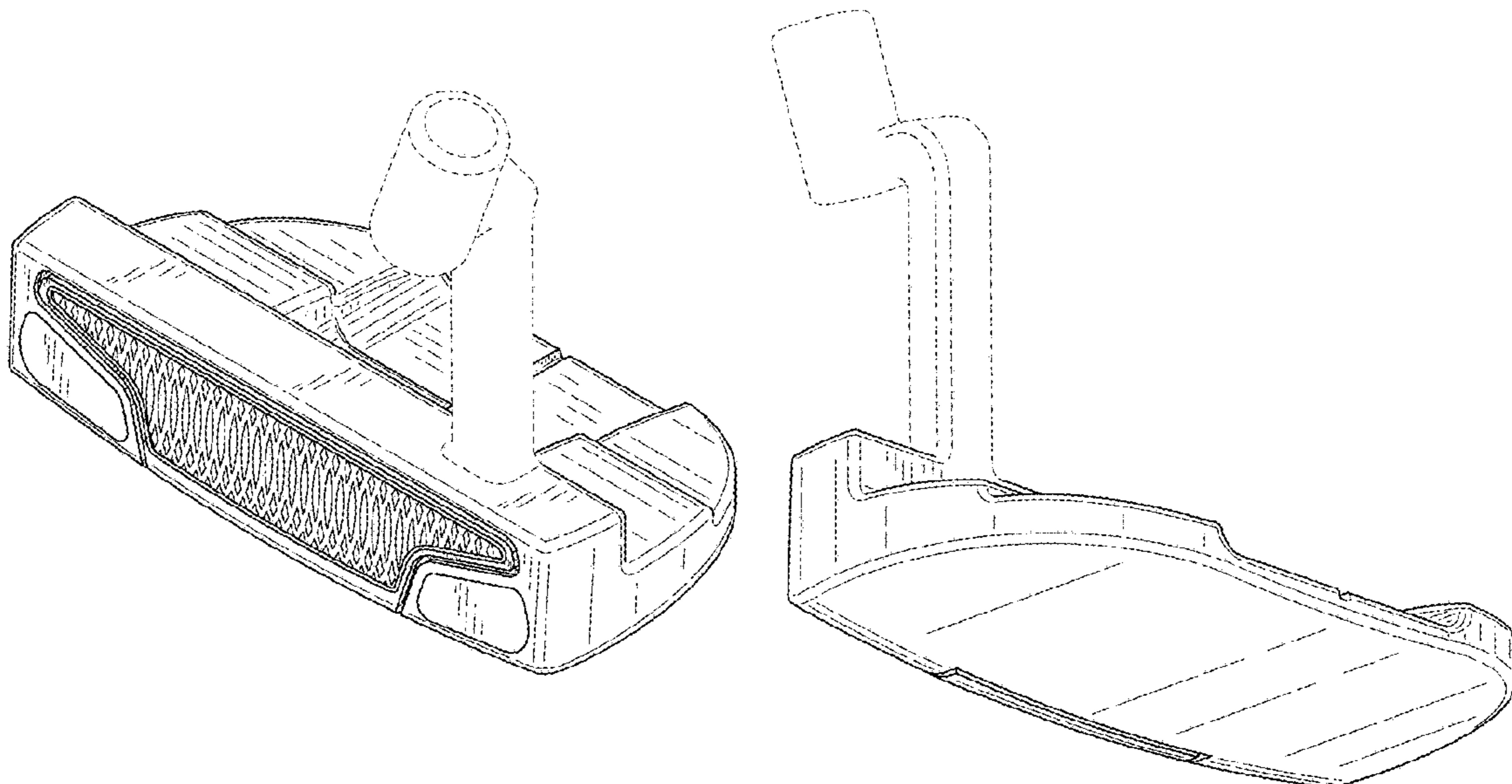
(57) **CLAIM**

The ornamental design for a golf club head, as shown and described.

DESCRIPTION

FIG. 1 is a top perspective view of a golf club head;
 FIG. 2 is a bottom perspective view of the golf club head of FIG. 1;
 FIG. 3 is a top view of the golf club head of FIG. 1;
 FIG. 4 is a bottom view of the golf club head of FIG. 1;
 FIG. 5 is a front view of the golf club head of FIG. 1;
 FIG. 6 is a rear view of the golf club head of FIG. 1;
 FIG. 7 is a heel side view of the golf club head of FIG. 1;
 FIG. 8 is a toe side view of the golf club head of FIG. 1;
 FIG. 9 is a top perspective view of a second embodiment of a golf club head;
 FIG. 10 is a bottom perspective view of the golf club head of FIG. 9;
 FIG. 11 is a top view of the golf club head of FIG. 9;
 FIG. 12 is a bottom view of the golf club head of FIG. 9;
 FIG. 13 is a front view of the golf club head of FIG. 9;
 FIG. 14 is a rear view of the golf club head of FIG. 9;
 FIG. 15 is a heel side view of the golf club head of FIG. 9;
 and,
 FIG. 16 is a toe side view of the golf club head of FIG. 9.
 The broken lines shown on the drawings form no part of the claimed design.

1 Claim, 14 Drawing Sheets



(56)

References Cited

U.S. PATENT DOCUMENTS

D333,331 S	2/1993	Evans		D529,560 S	10/2006	Madore
5,211,401 A	5/1993	Hainey		D532,842 S	11/2006	Jones et al.
5,226,654 A	7/1993	Solheim		D532,843 S	11/2006	Jones et al.
D341,405 S	11/1993	Solheim		D532,845 S	11/2006	Rollinson
D342,112 S	12/1993	Diesterheft		D532,846 S	11/2006	Lee et al.
5,324,031 A	6/1994	Green		D533,243 S	12/2006	Fife et al.
D356,615 S	3/1995	Solheim		D533,609 S	12/2006	Moore et al.
D356,844 S	3/1995	Solheim et al.		7,147,569 B2	12/2006	Tang et al.
D356,846 S	3/1995	Murrill		D534,974 S	1/2007	Haack
D357,291 S	4/1995	Solheim		D536,400 S	2/2007	Dibattista
5,482,281 A	1/1996	Anderson		D537,135 S	2/2007	Rollinson
D375,768 S	11/1996	Solheim		D539,860 S	4/2007	Fussell
D379,484 S	5/1997	Solheim		D542,873 S	5/2007	Oldknow
D380,246 S	6/1997	Solheim et al.		D545,385 S	6/2007	Tang et al.
D398,352 S *	9/1998	Sheets	D21/742	D547,403 S	7/2007	Serrano et al.
D399,911 S	10/1998	Nicolette et al.		D547,404 S	7/2007	Serrano et al.
D400,610 S	11/1998	Cameron et al.		D547,405 S	7/2007	Serrano et al.
D402,343 S	12/1998	Helmstetter et al.		D548,295 S	8/2007	Jertson et al.
D405,836 S	2/1999	Nicolette et al.		D552,197 S	10/2007	Wells et al.
D405,856 S	2/1999	Tang et al.		D557,361 S	12/2007	Rollinson
D407,445 S	3/1999	Rollinson et al.		D564,606 S	3/2008	Oldknow et al.
D410,267 S	5/1999	Solheim		D564,607 S	3/2008	Oldknow et al.
D411,271 S	6/1999	Nelson		D565,138 S	3/2008	Wilson
D428,086 S	7/2000	Solheim		D569,461 S	5/2008	Morris
D441,820 S	5/2001	Nicolette et al.		D569,462 S	5/2008	Rollinson
D443,905 S	6/2001	Nicolette et al.		D571,877 S	6/2008	Jones et al.
D444,833 S	7/2001	Wells et al.		D571,878 S	6/2008	Jones et al.
D449,085 S	10/2001	Breier et al.		D571,879 S	6/2008	Jones et al.
D450,799 S	11/2001	Nicolette et al.		7,390,267 B2	6/2008	Grace
D451,973 S	12/2001	Wells et al.		D573,673 S	7/2008	Noyes
D454,169 S	3/2002	Solheim		D574,907 S	8/2008	Jones et al.
D464,099 S	10/2002	Cole		D574,908 S	8/2008	Hettinger et al.
D467,291 S	12/2002	Ngon		D574,909 S	8/2008	Jones et al.
D472,949 S	4/2003	Serrano		D574,910 S	8/2008	Jones et al.
D474,821 S *	5/2003	Wells	D21/743	D574,911 S	8/2008	Jones et al.
D477,041 S	7/2003	Cameron		D574,912 S	8/2008	Jones et al.
6,634,956 B1	10/2003	Pegg		D575,366 S	8/2008	Rollinson
D483,086 S	12/2003	Schweigert et al.		D577,085 S	9/2008	Nicolette et al.
D485,592 S	1/2004	Hettinger		D577,086 S	9/2008	Nicolette et al.
D486,872 S *	2/2004	Schweigert	D21/736	D577,398 S	9/2008	Hilton
D488,200 S	4/2004	Olsavsky et al.		D579,505 S	10/2008	Jones
D494,237 S	8/2004	Ware		D579,506 S	10/2008	Nicolette et al.
D498,276 S	11/2004	Schweigert		D579,995 S	11/2008	Nicolette et al.
D499,778 S	12/2004	Cameron		7,455,599 B2	11/2008	Jones
D500,109 S	12/2004	Solheim et al.		D582,497 S	12/2008	Rollinson
D500,110 S	12/2004	Solheim et al.		D583,886 S	12/2008	Cameron
D500,539 S	1/2005	Holloway		D585,510 S	1/2009	Murrieta
D502,234 S	2/2005	Grace		7,473,189 B2	1/2009	Schweigert et al.
D502,748 S	3/2005	Burrows		7,481,713 B2	1/2009	Beckman
D505,702 S	5/2005	Wood		D587,325 S	2/2009	Solheim et al.
D506,795 S	6/2005	Petersen		D588,657 S	3/2009	Hettinger
D506,796 S	6/2005	Li		D590,035 S	4/2009	Hilton
6,902,496 B2 *	6/2005	Solheim	A63B 53/0487 473/341	D590,461 S	4/2009	Kim et al.
D507,613 S	7/2005	Baiocchi		D591,371 S	4/2009	Hilton
D508,273 S	8/2005	Garner et al.		D591,372 S	4/2009	Tang et al.
D510,394 S	10/2005	Tang et al.		D591,806 S	5/2009	Cameron
D511,802 S	11/2005	Cameron		D591,807 S	5/2009	Rollinson
6,960,140 B2	11/2005	Solheim et al.		D592,717 S	5/2009	Rollinson
6,966,845 B2	11/2005	Solheim et al.		D594,073 S	6/2009	Kadoya
D514,181 S	1/2006	Cameron		D594,517 S	6/2009	Tang et al.
D514,182 S	1/2006	Olsavsky et al.		D594,917 S	6/2009	Stellander
D515,646 S	2/2006	Perry		D595,372 S	6/2009	Rollinson
D517,143 S	3/2006	Petsel et al.		D595,373 S	6/2009	Kim et al.
D518,127 S	3/2006	Tang et al.		D596,685 S	7/2009	Wallans
D520,583 S	5/2006	Rollinson et al.		D599,423 S	9/2009	Serrano et al.
D521,582 S	5/2006	Souza et al.		D599,424 S	9/2009	Serrano et al.
7,052,411 B2	5/2006	Solheim et al.		D599,425 S	9/2009	Laub
D522,598 S	6/2006	Solheim et al.		D599,868 S	9/2009	Serrano et al.
D524,887 S	7/2006	Jones et al.		D599,869 S	9/2009	Serrano et al.
D525,327 S	7/2006	Jones et al.		D599,870 S	9/2009	Serrano et al.
D525,328 S	7/2006	Solheim et al.		D600,760 S	9/2009	Serrano et al.
D525,329 S	7/2006	Jones et al.		D600,761 S	9/2009	Solheim et al.
7,077,758 B2	7/2006	Rohrer		D600,762 S	9/2009	Serrano et al.
D527,777 S	9/2006	Solheim et al.		D601,214 S	9/2009	Serrano et al.
				D603,008 S	10/2009	Donahue
				7,601,076 B2	10/2009	Rollinson
				D604,782 S	11/2009	Franklin
				D606,139 S	12/2009	Ines et al.
				7,645,199 B2	1/2010	Cameron

(56)

References Cited

U.S. PATENT DOCUMENTS

D621,458 S	8/2010	Serrano et al.			
D621,459 S	8/2010	Serrano et al.			
D621,460 S	8/2010	Serrano et al.			
D621,461 S	8/2010	Serrano et al.			
D621,462 S	8/2010	Serrano et al.			
D621,891 S	8/2010	Serrano et al.			
D623,709 S	9/2010	Serrano et al.			
7,803,066 B2	9/2010	Solheim et al.			
D624,978 S	10/2010	Rollinson			
D635,625 S	4/2011	Rollinson			
D641,057 S	7/2011	Rollinson			
D641,440 S	7/2011	Hettinger			
D641,442 S	7/2011	Rollinson			
D650,455 S	12/2011	Serrano et al.			
D650,457 S	12/2011	Rollinson			
D650,458 S	12/2011	Rollinson			
D652,092 S	1/2012	Rollinson			
D688,762 S	8/2013	Hilton			
D690,378 S	9/2013	Rollinson			
D691,226 S	10/2013	Hilton et al.			
D711,483 S *	8/2014	Wong	D21/743		
D733,233 S	6/2015	Dolezel			
D777,268 S *	1/2017	Becktor	D21/742		
D826,353 S *	8/2018	Cameron	D21/736		
D832,381 S *	10/2018	Serrano	D21/743		
D844,722 S *	4/2019	Wang	D21/736		
D844,724 S *	4/2019	Wang	D21/743		
D847,924 S *	5/2019	Wang	D21/743		
D847,926 S *	5/2019	Wang	D21/744		
D857,819 S *	8/2019	Wang	D21/743		
D859,544 S *	9/2019	Wang	D21/736		
D875,195 S *	2/2020	Serrano	D21/743		
D912,175 S *	3/2021	Toulon	D21/743		
D912,176 S *	3/2021	Toulon	D21/743		
2003/0228925 A1	12/2003	Rohrer			
2007/0021229 A1	1/2007	Haack			
2007/0049402 A1	3/2007	Sanchez et al.			
2007/0298904 A1	12/2007	Dworzan			
2009/0029800 A1	1/2009	Jones et al.			
2009/0105008 A1	4/2009	Kuan et al.			
2009/0170629 A1	7/2009	Hilton			
2009/0270196 A1	10/2009	Solheim et al.			
2009/0305806 A1	12/2009	Campadore et al.			
2009/0305807 A1	12/2009	Solheim et al.			

* cited by examiner

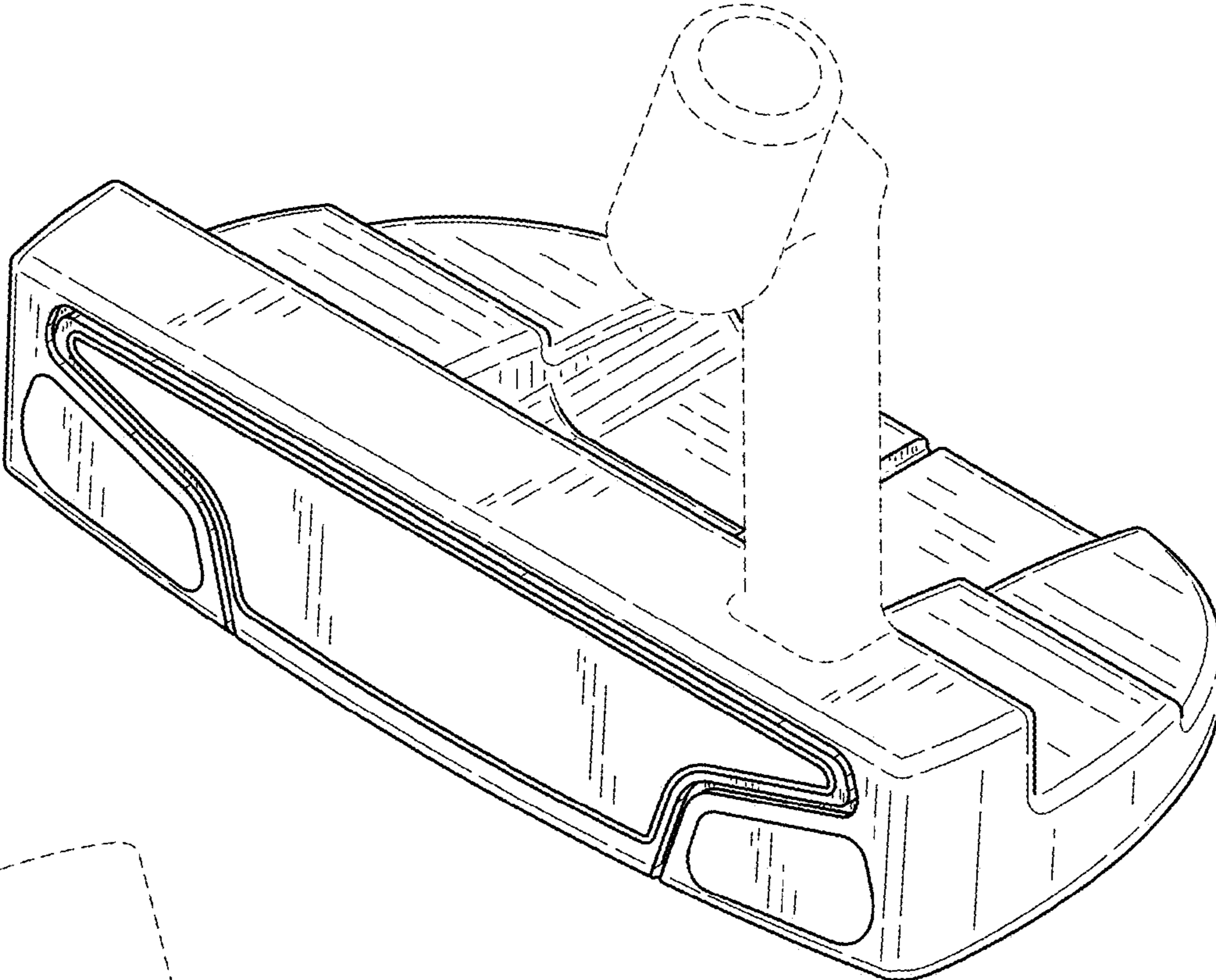


FIG. 1

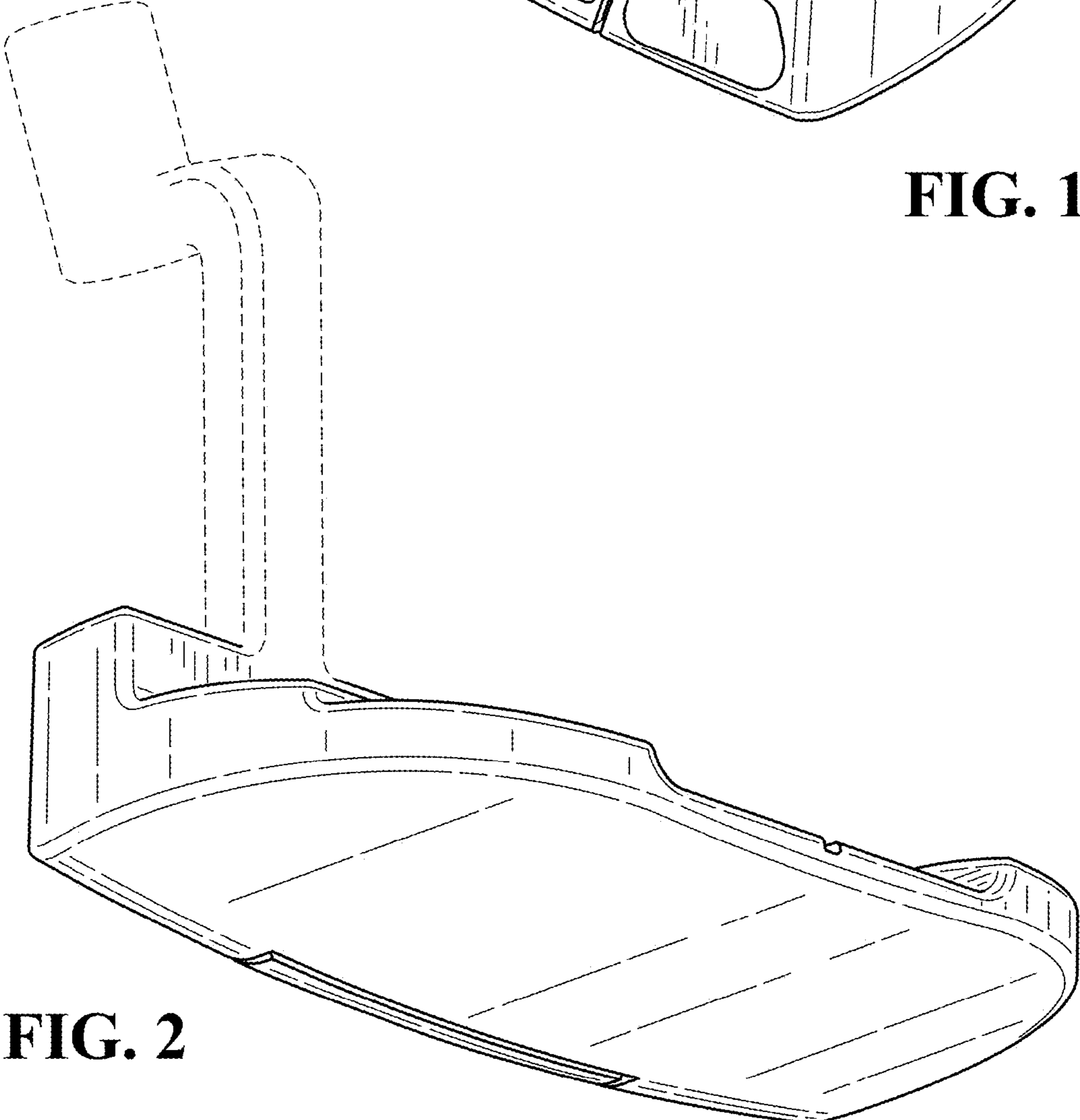


FIG. 2

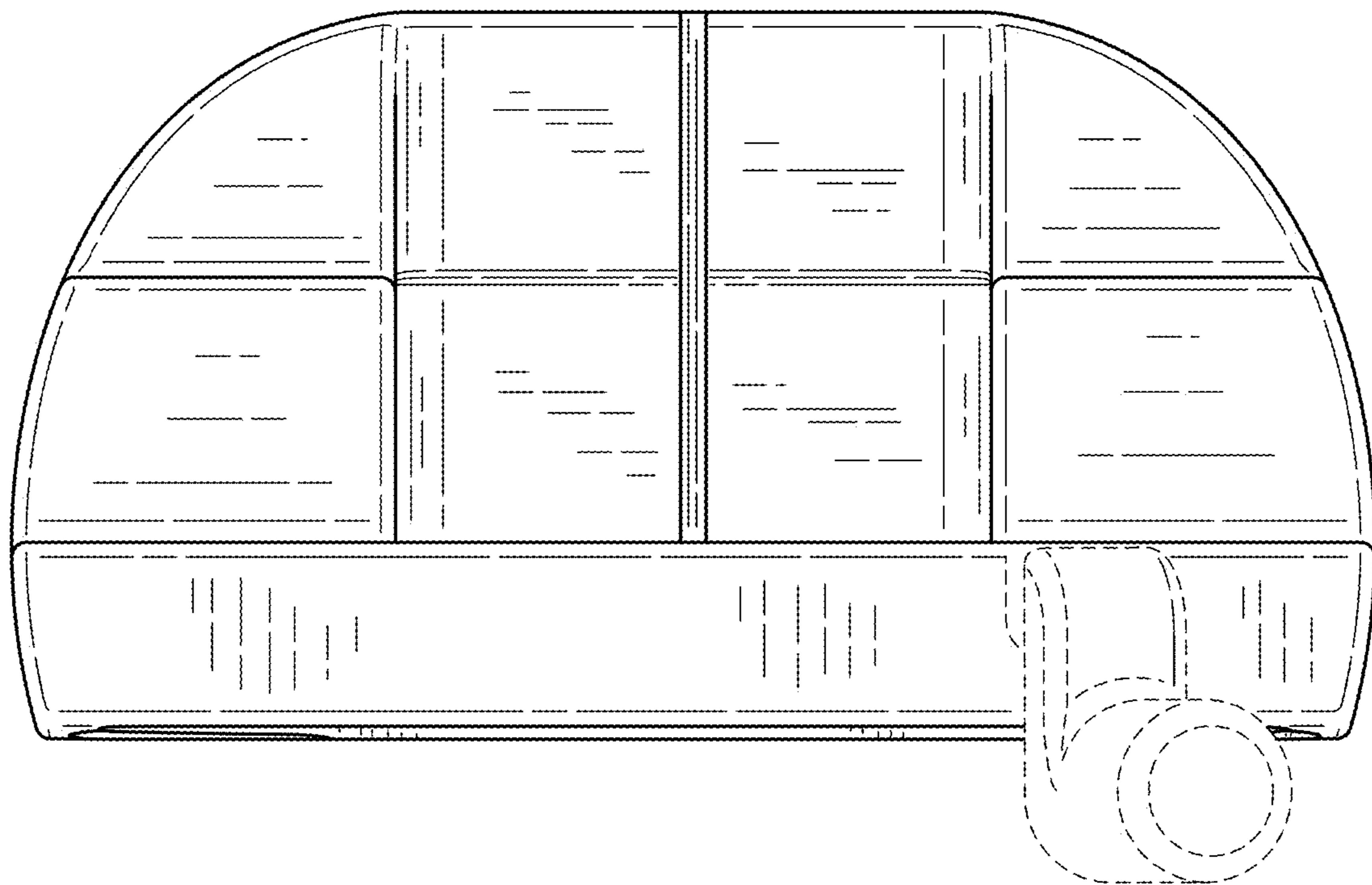


FIG. 3

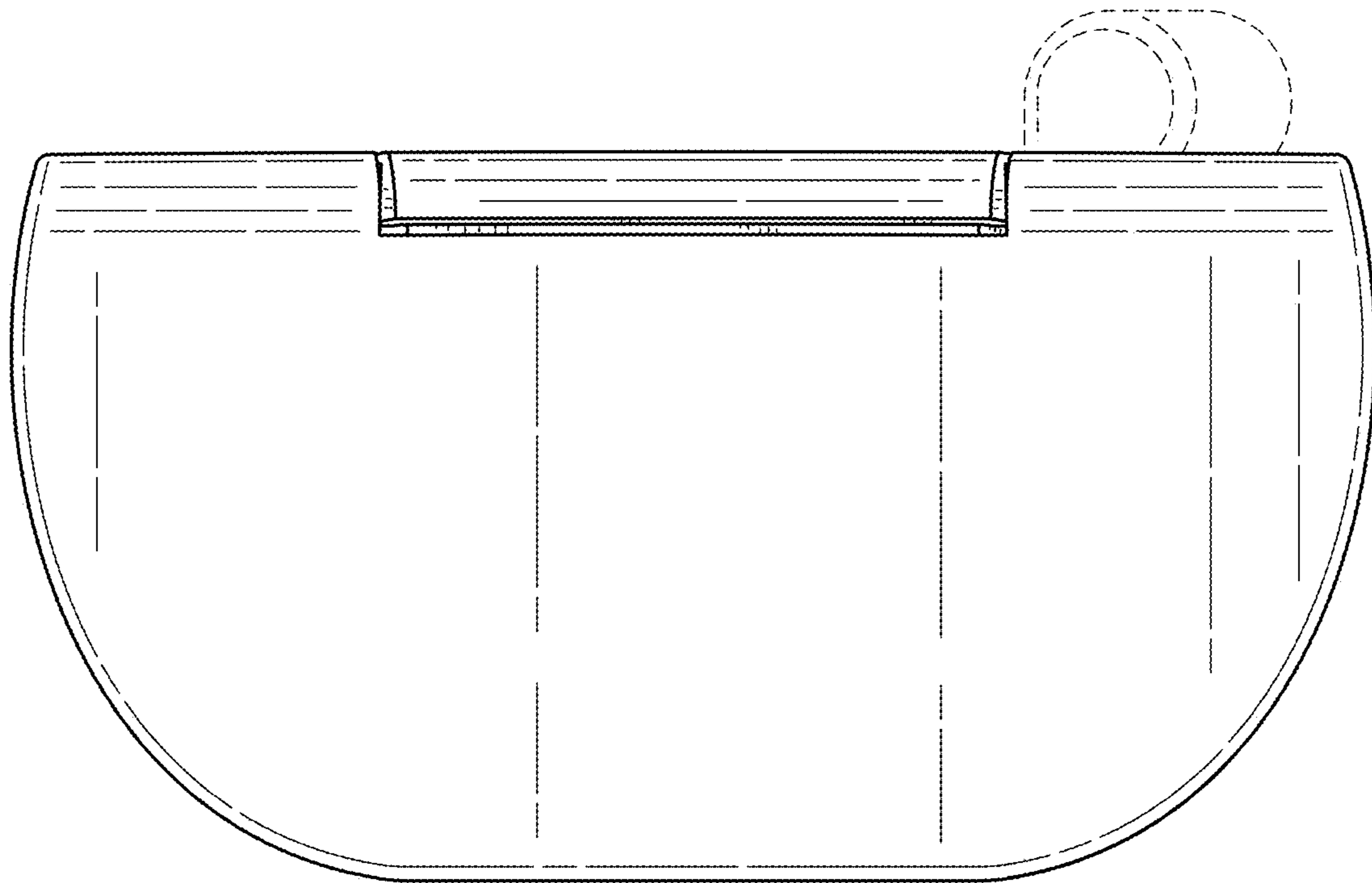


FIG. 4

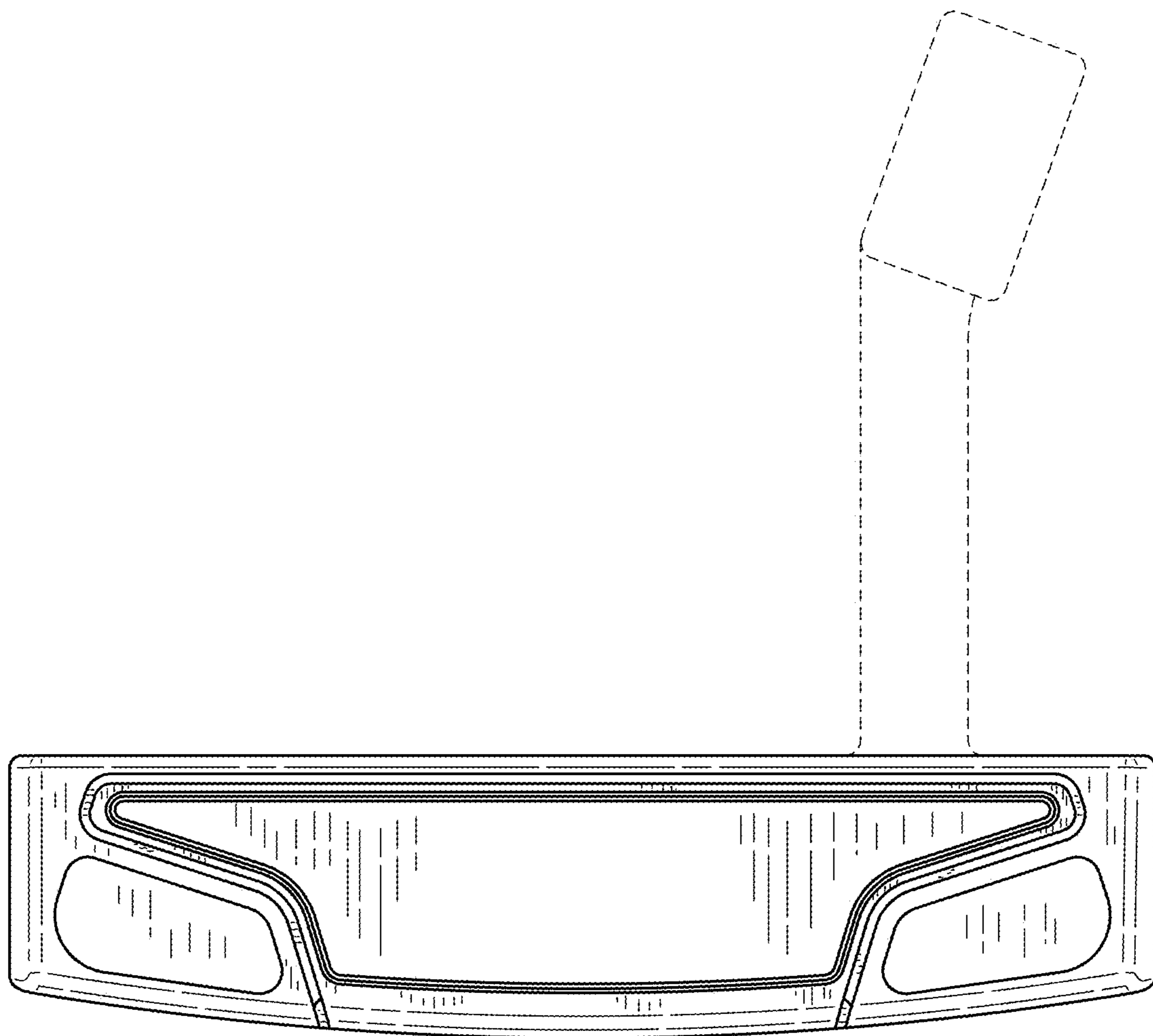


FIG. 5

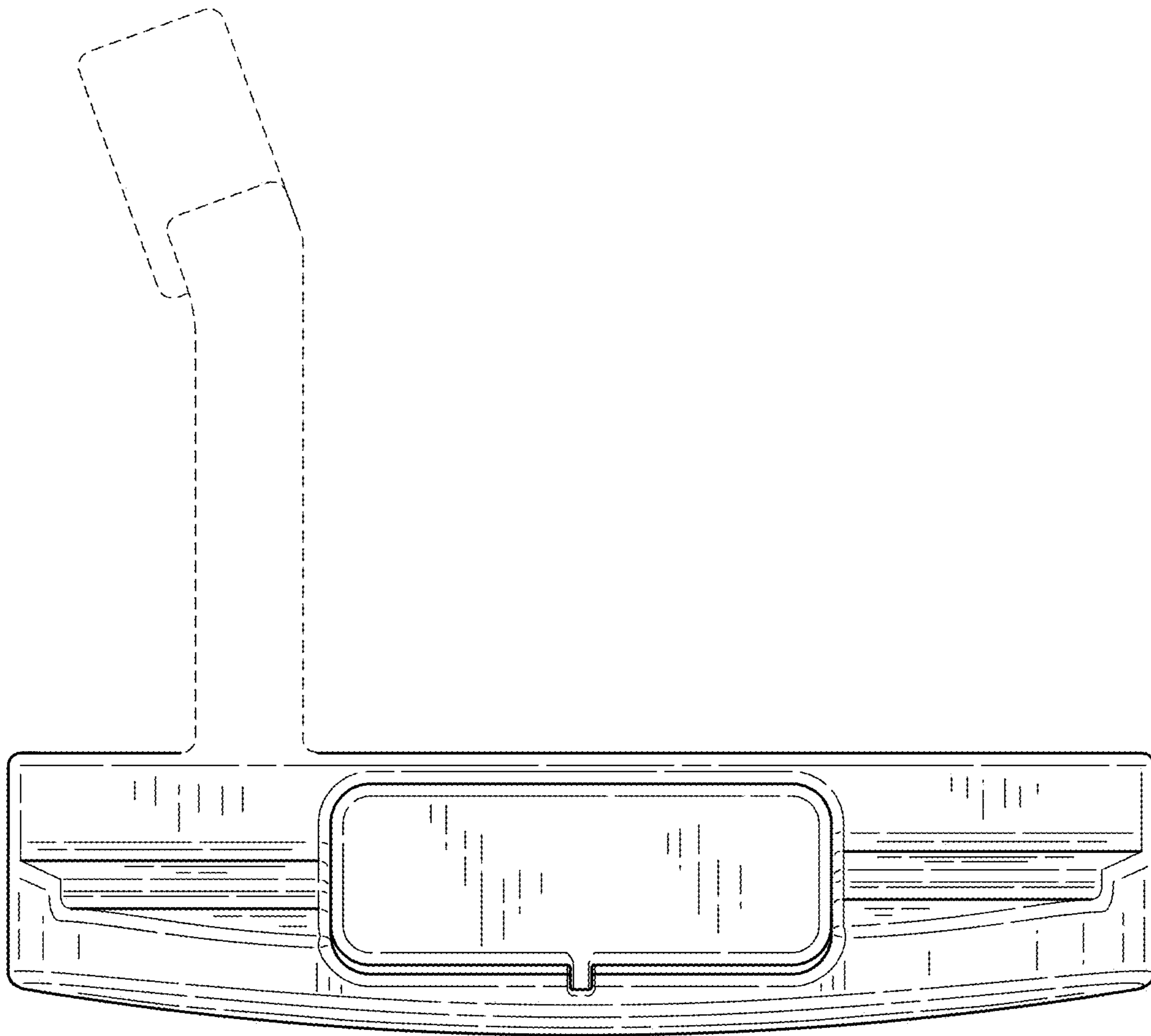


FIG. 6

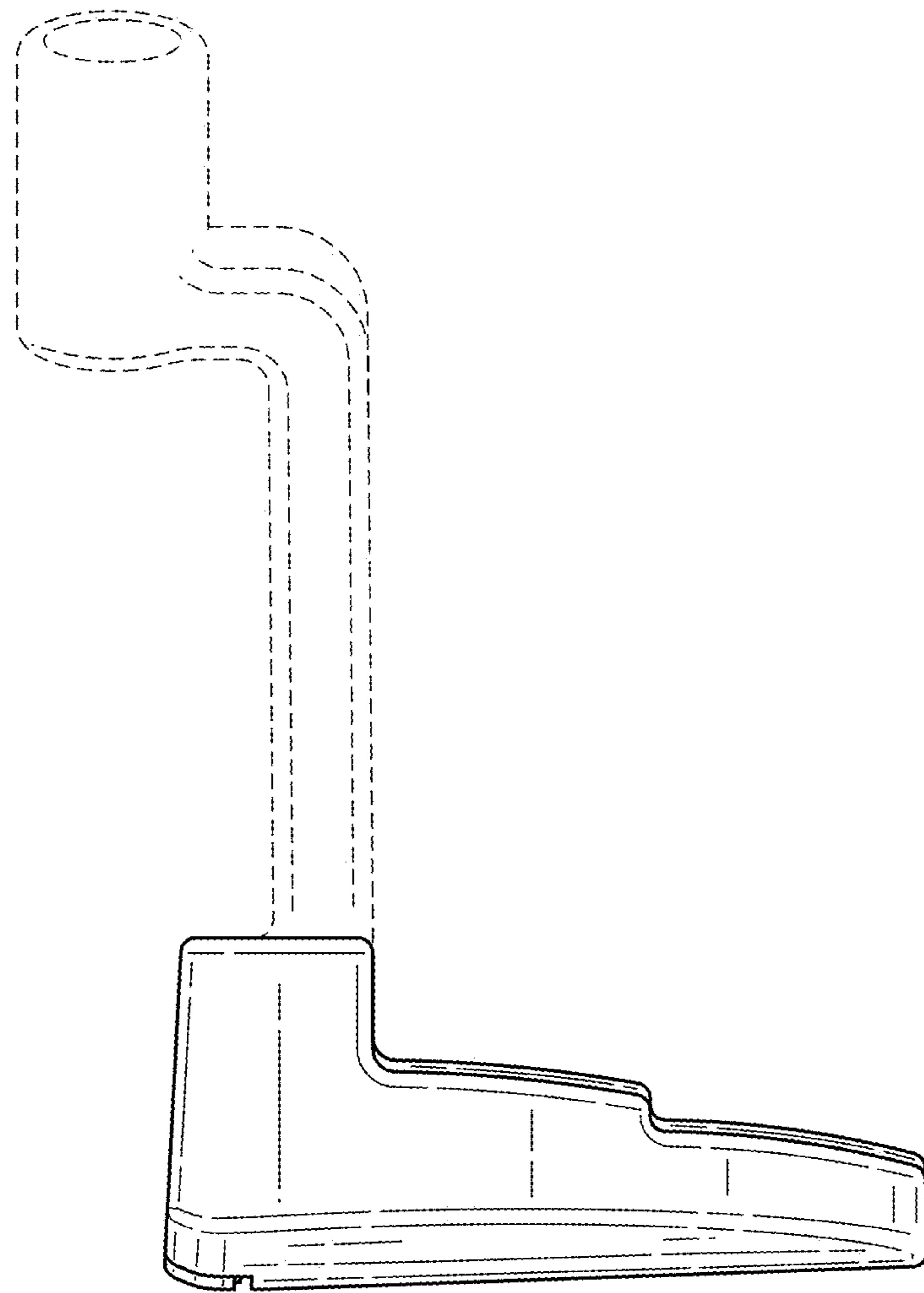


FIG. 7

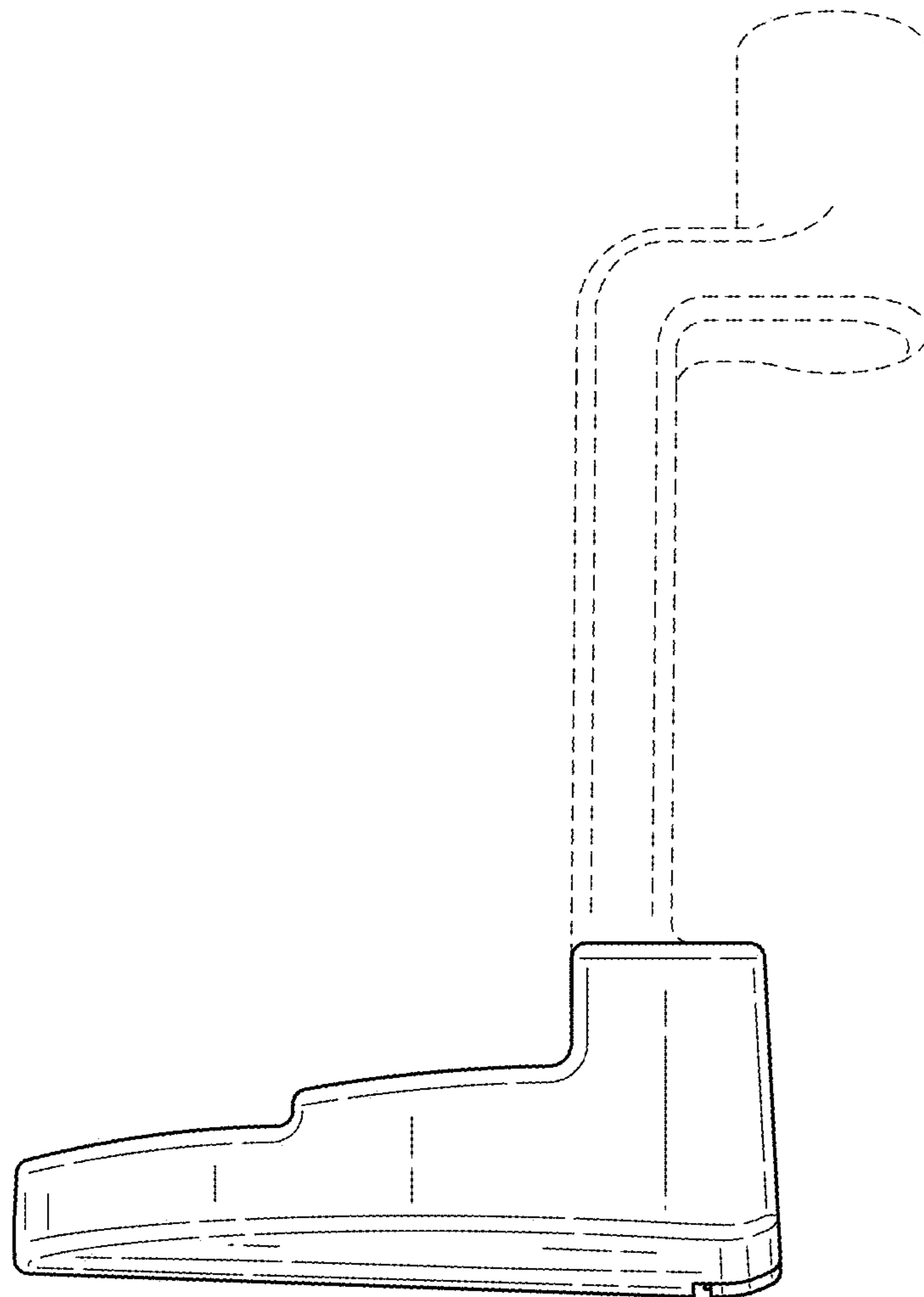


FIG. 8

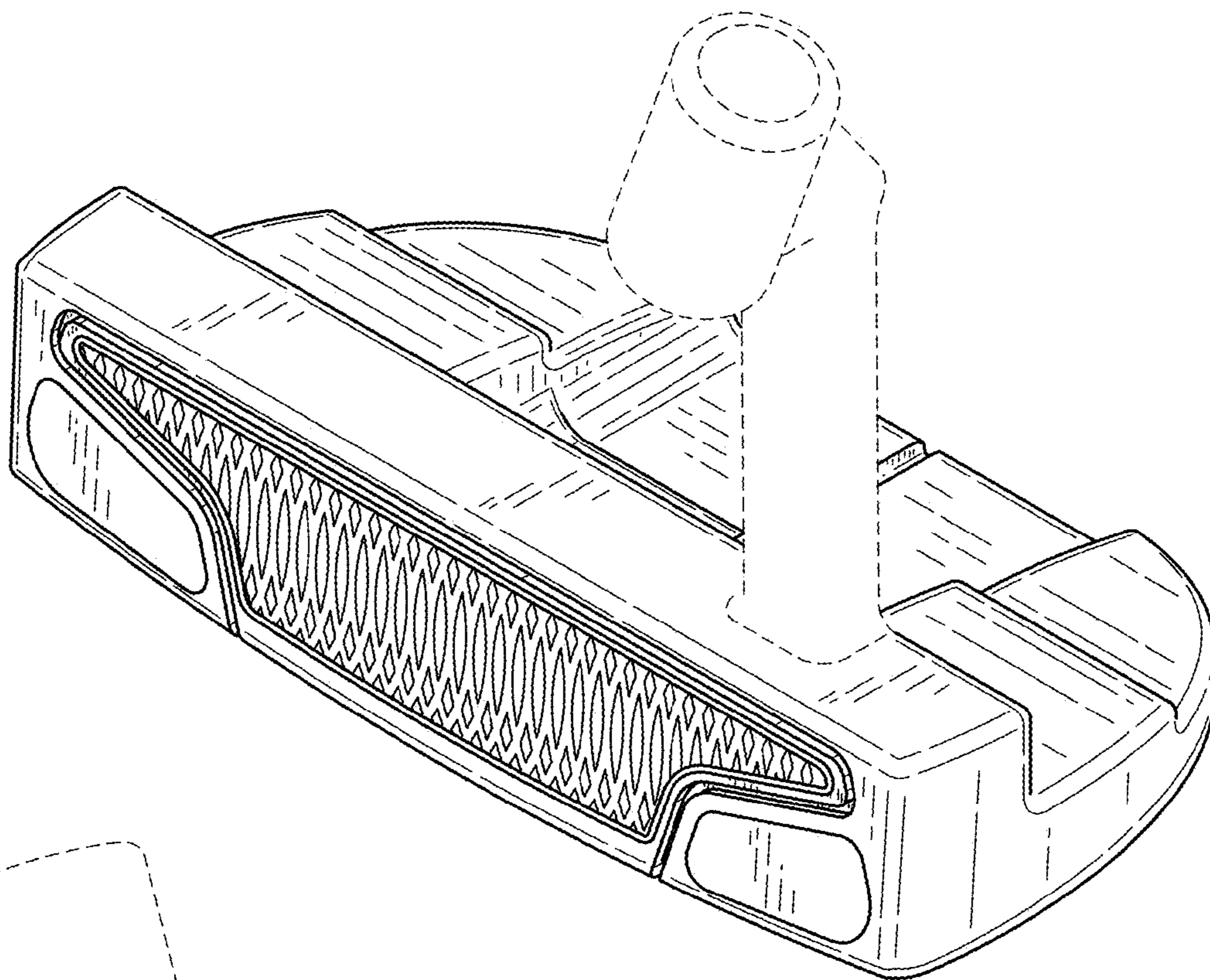


FIG. 9

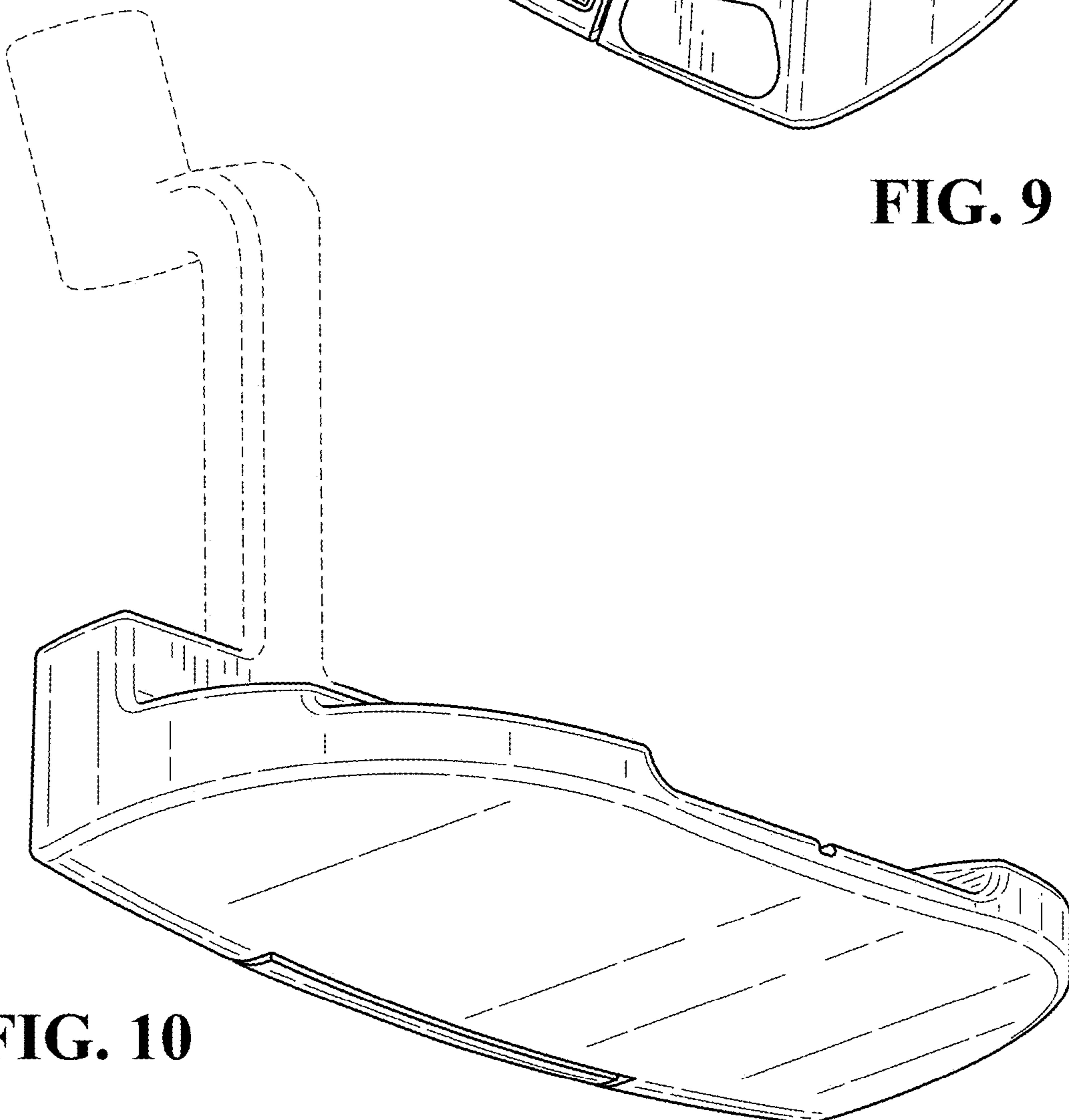


FIG. 10

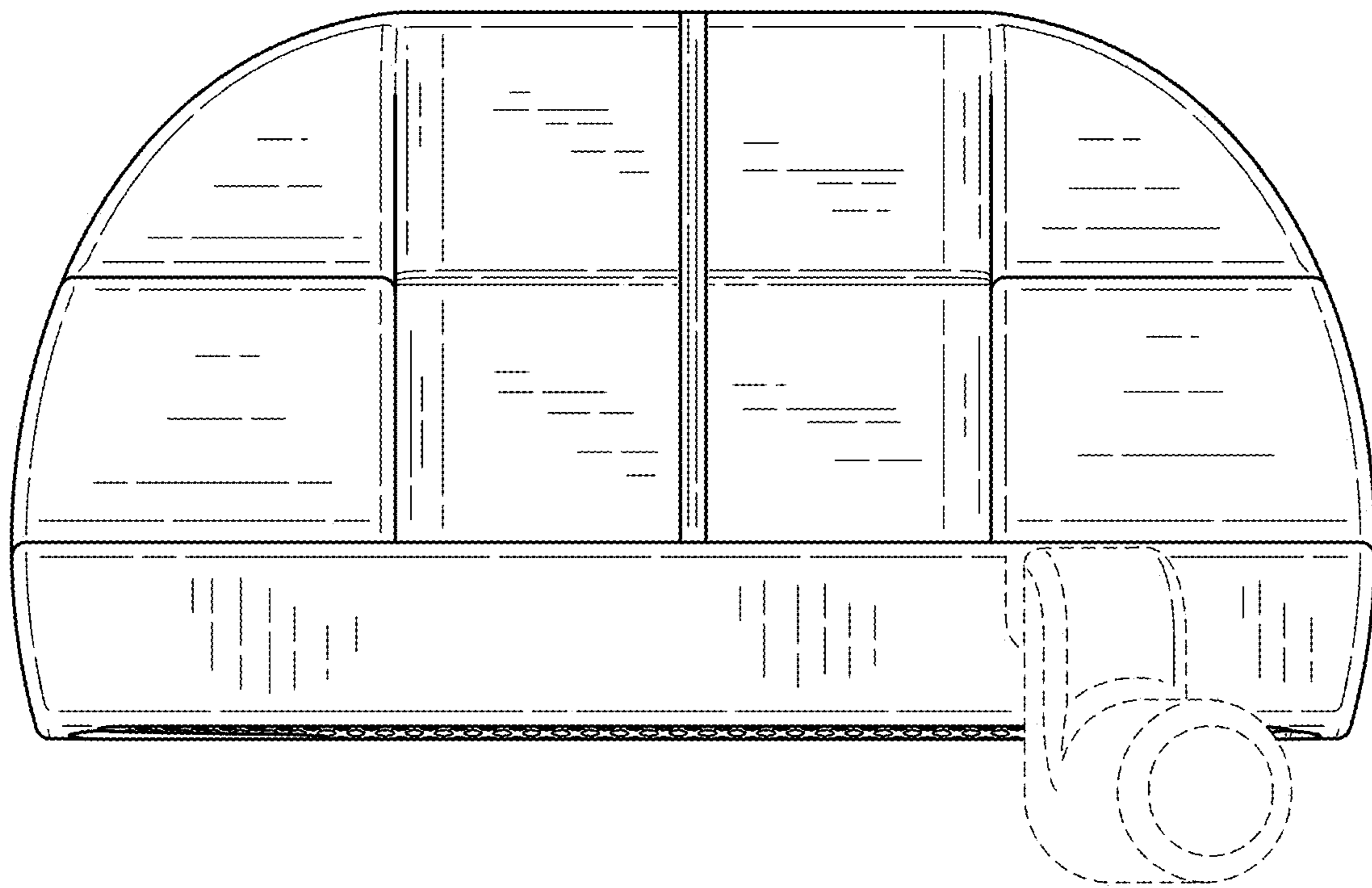


FIG. 11

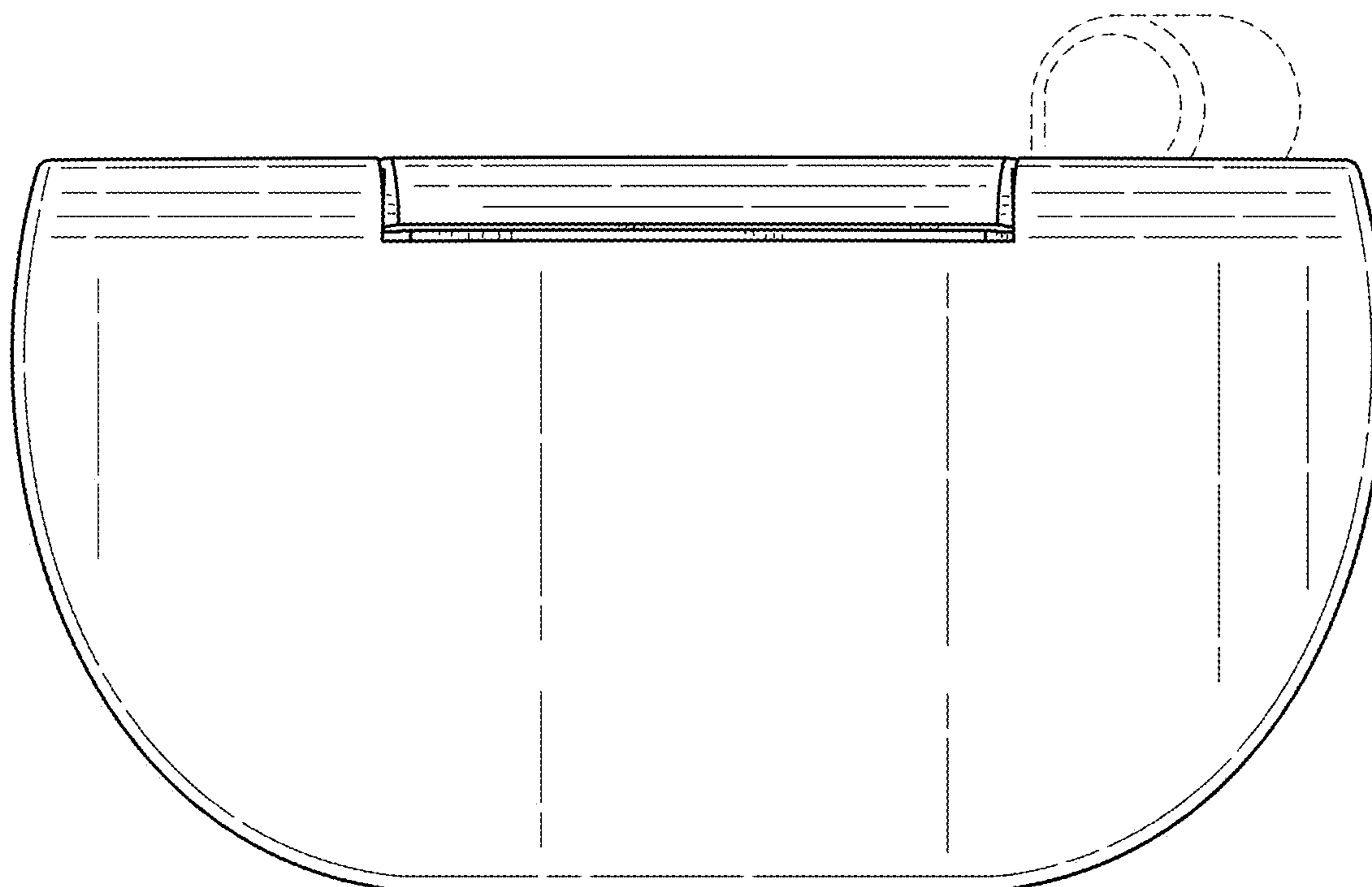


FIG. 12

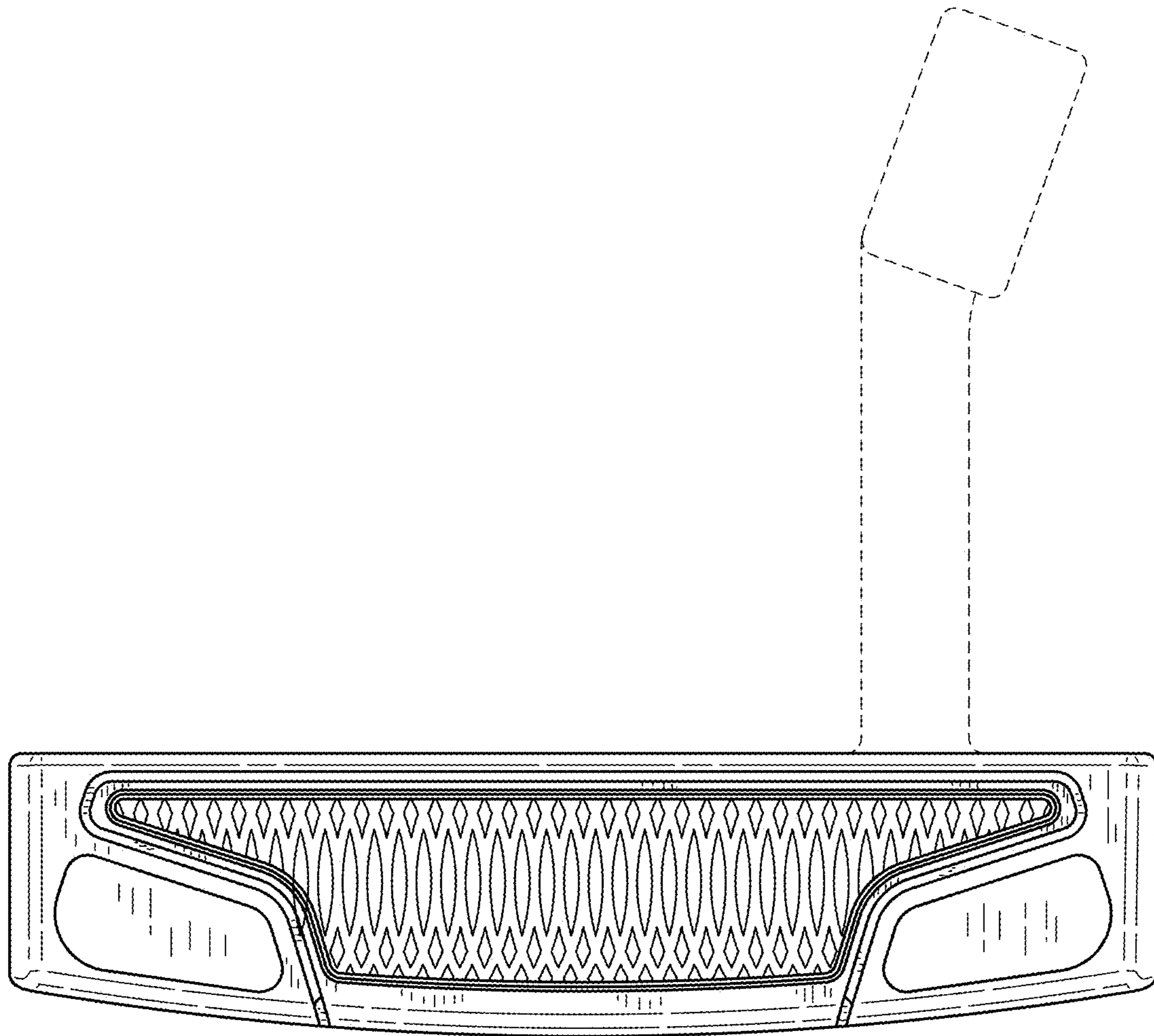


FIG. 13

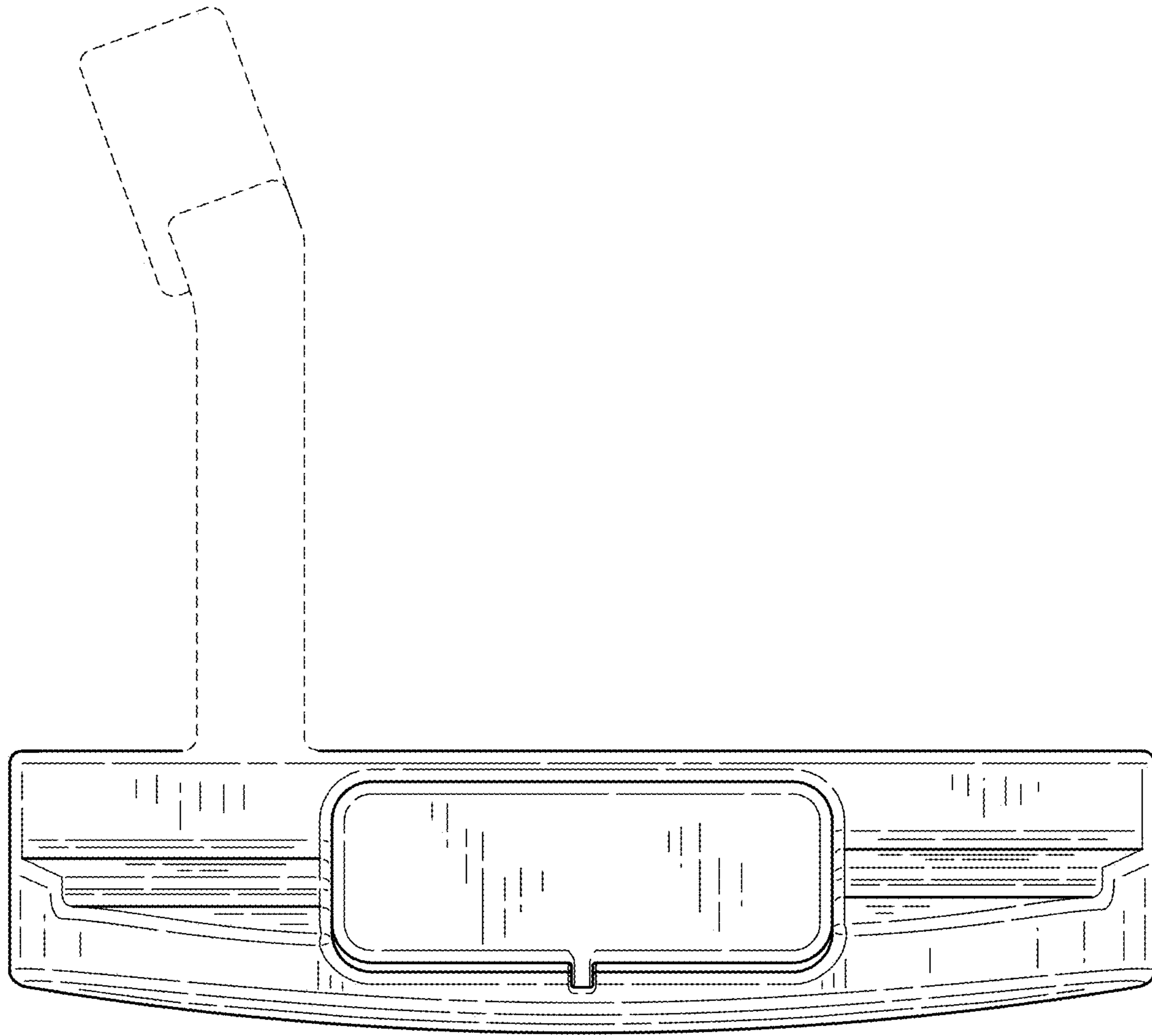


FIG. 14

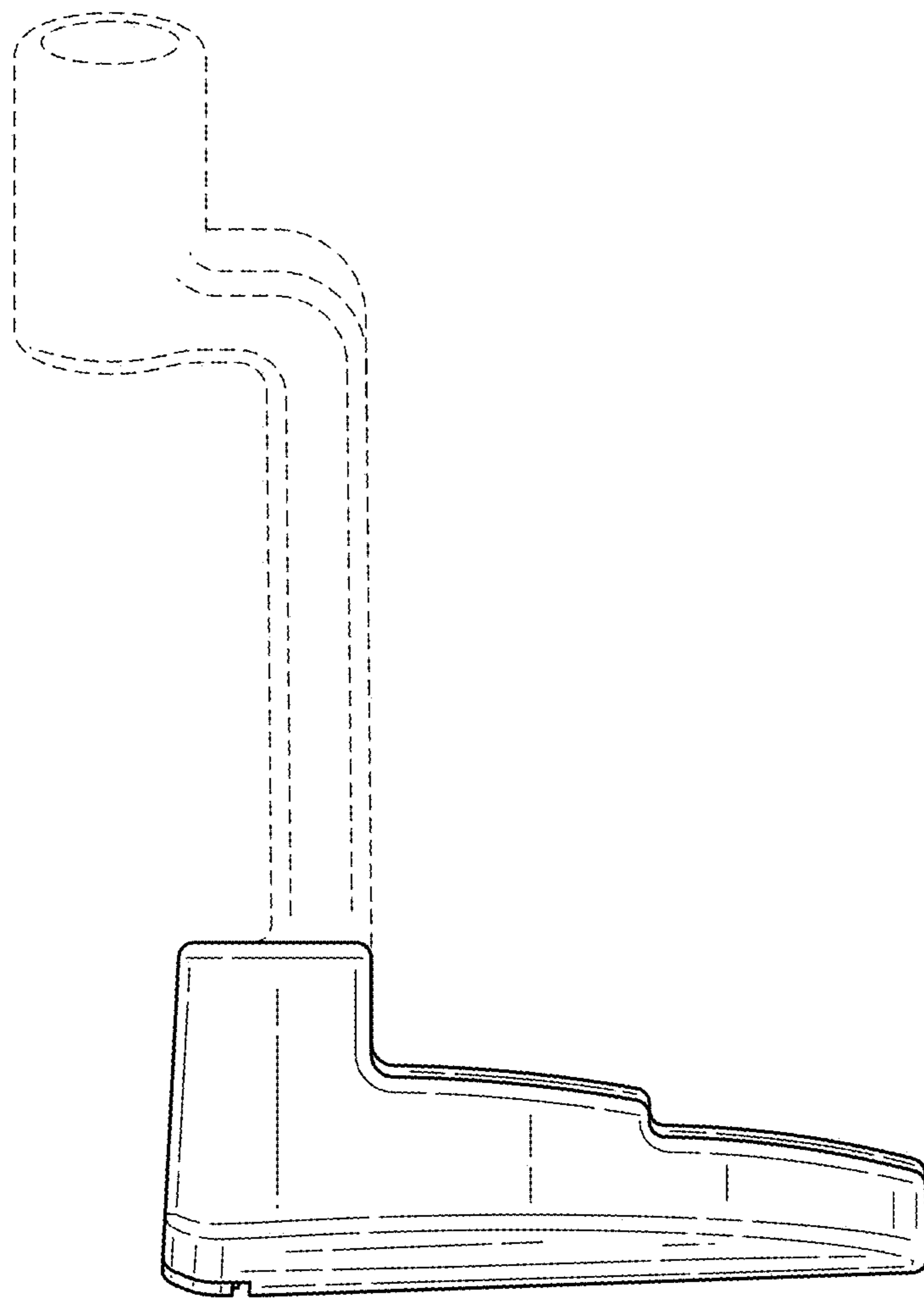


FIG. 15

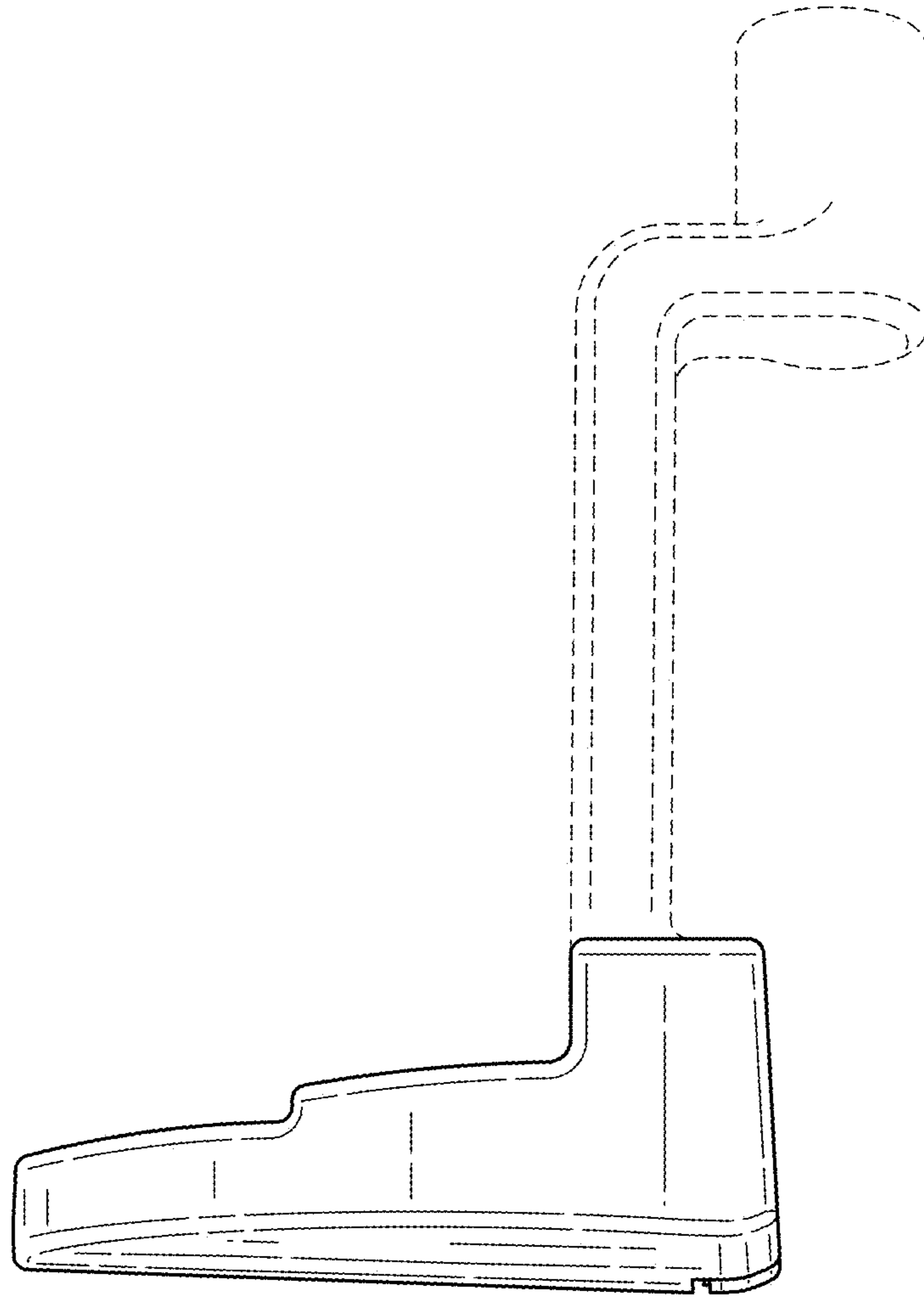


FIG. 16