



US00D929512S

(12) **United States Design Patent**
Dunahay

(10) **Patent No.:** **US D929,512 S**

(45) **Date of Patent:** **** Aug. 31, 2021**

- (54) **WALL MOUNT FOR PULL UP BAR**
- (71) Applicant: **Coulter Ventures LLC**, Columbus, OH (US)
- (72) Inventor: **Nash Dunahay**, Gahanna, OH (US)
- (73) Assignee: **Coulter Ventures, LLC.**, Columbus, OH (US)

(**) Term: **15 Years**

(21) Appl. No.: **29/650,226**

(22) Filed: **Jun. 5, 2018**

(51) **LOC (13) Cl.** **21-02**

(52) **U.S. Cl.**
USPC **D21/679**; D21/694

(58) **Field of Classification Search**
USPC D24/188; D21/662, 679, 685, 686, 691, D21/694, 777, 787, 796, 797, 837; D25/41.1, 44, 61; D6/512, 550, 553, D6/567, 572, 580; D12/223; D8/349, D8/354, 371
CPC A63B 2244/22; A63B 21/078; A63B 1/00; A63B 21/169; A63B 21/16; A63B 17/00; A63B 21/0557; A63B 3/00; A63B 22/0046; A63B 71/02; A63B 71/023; A63B 23/1218; A63B 21/068; A47H 1/10; A47H 1/102; A47H 1/12; A47H 1/122; A47H 1/124; A47H 1/00; H02G 3/126; A47K 10/38; A47K 10/3836; A47K 10/40

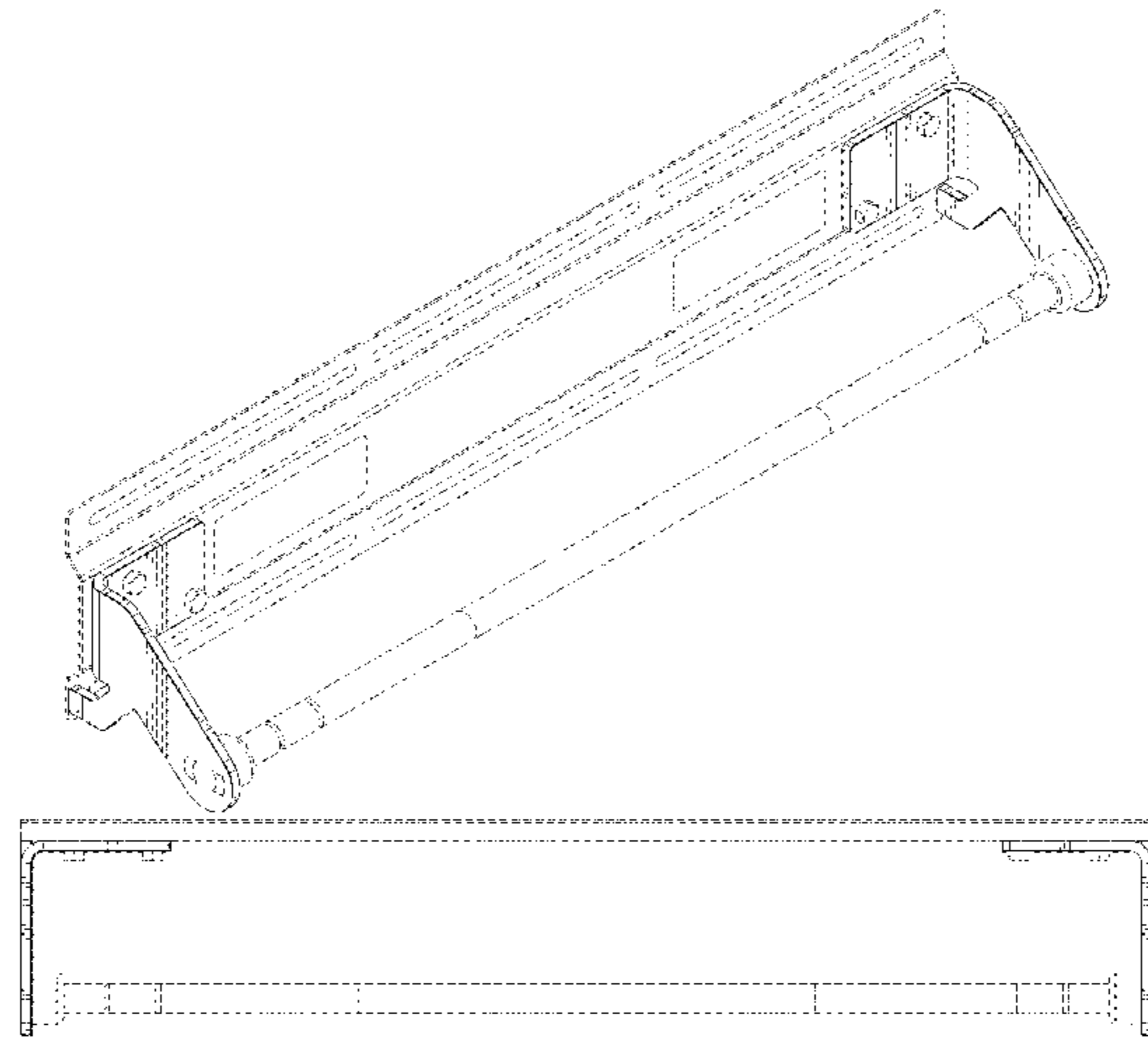
See application file for complete search history.

(56) **References Cited**

U.S. PATENT DOCUMENTS

88,047 A 3/1869 Lawrence
D47,725 S 8/1915 Heulings
D47,726 S 8/1915 Heulings
1,410,149 A 3/1922 Williams
2,855,200 A 10/1958 Blickman
D210,469 S 3/1968 Sejersen
4,111,414 A 9/1978 Roberts

D256,865 S * 9/1980 Crowe D6/550
4,323,236 A 4/1982 Szabo
D264,756 S 6/1982 Andersson
D265,111 S 6/1982 Lynn
D269,691 S 7/1983 Ornstein et al.
D273,334 S 4/1984 Young
D273,619 S 4/1984 Young
D273,711 S 5/1984 Young
D273,997 S 5/1984 Ryan
D276,656 S 12/1984 Lindstrom
D290,033 S 5/1987 PolICASTRO
D297,957 S 10/1988 Gordon, III
4,934,693 A 6/1990 Santoro
4,961,295 A 10/1990 Kosch, Sr. et al.
5,046,722 A 9/1991 Antoon
5,135,077 A 8/1992 Shalders
5,184,992 A 2/1993 Banks
5,273,506 A 12/1993 Dawson, Jr.
D344,601 S 2/1994 Jenkins et al.
5,290,209 A 3/1994 Wilkinson
5,306,220 A 4/1994 Kearney
D355,005 S 1/1995 VooHanel, Jr.
D358,623 S 5/1995 Macasieb
5,669,859 A 9/1997 Liggett et al.
D385,140 S * 10/1997 Whitehead D6/574
5,776,033 A 7/1998 Brown
D408,480 S 4/1999 Haugo
6,116,550 A 9/2000 Forbes
6,129,651 A 10/2000 Denaro
6,220,988 B1 4/2001 Williams
D455,309 S * 4/2002 Hoernig D6/548
6,554,338 B1 * 4/2003 Spence B60N 3/02
16/110.1
D474,281 S * 5/2003 Hansen D25/41.1
D484,617 S 12/2003 Micheals
D486,020 S 2/2004 Hoernig
D486,337 S 2/2004 Hoernig
D507,352 S 7/2005 Vanderbrugghen
D514,857 S 2/2006 Hoernig
D517,085 S 3/2006 Deuschle
D523,322 S 6/2006 Thurston et al.
D525,668 S 7/2006 Payne
D543,839 S * 6/2007 Cooper D8/376
D554,209 S 10/2007 Loucks
7,316,379 B1 1/2008 Graham
7,374,516 B2 5/2008 Lundquist
D577,939 S * 10/2008 Rubin D6/548
7,523,907 B2 4/2009 Chen
D593,169 S 5/2009 Storch
7,534,200 B1 5/2009 Martinez
7,549,950 B1 6/2009 Lundquist et al.
D596,761 S 7/2009 Beland
D613,883 S 4/2010 Staten et al.



US D929,512 S

7,892,158 B2	2/2011	Varga		2001/0034289 A1	10/2001	Parrillo	
D635,206 S	3/2011	Henniger		2002/0082145 A1	6/2002	Hamilton	
D636,038 S	4/2011	Henniger		2002/0123415 A1	9/2002	Marques	
D636,039 S	4/2011	Henniger		2003/0222041 A1	12/2003	Hong et al.	
D636,040 S	4/2011	Henniger		2005/0130806 A1	6/2005	Lopez	
D639,585 S	6/2011	Shen et al.		2005/0250619 A1	11/2005	Daikeler et al.	
D639,586 S	6/2011	Selinger et al.		2006/0003875 A1	1/2006	Sharps	
D639,587 S	6/2011	Selinger et al.		2006/0065800 A1	3/2006	Bremmon	
8,047,972 B1	11/2011	Dean et al.		2006/0145038 A1	7/2006	Chen	
8,079,915 B2	12/2011	Spencer et al.		2007/0072750 A1	3/2007	Andrews	
8,083,191 B2	12/2011	Lai et al.		2007/0203002 A1	8/2007	Webber	
D651,670 S *	1/2012	Calvin	D21/662	2009/0105052 A1	4/2009	Dalebout et al.	
D659,854 S	5/2012	Kligman		2009/0124471 A1	5/2009	Storch	
D660,984 S	5/2012	Kotin et al.		2010/0044536 A1	2/2010	Huang	
D661,412 S	6/2012	Kligman		2010/0048368 A1	2/2010	Donofrio	
8,206,270 B2	6/2012	Skipper		2010/0171017 A1	7/2010	Chang	
8,206,273 B2	6/2012	Skipper		2011/0245040 A1	10/2011	Skipper	
D670,944 S *	11/2012	Cittadino	D6/548	2011/0248128 A1	10/2011	Oh	
8,323,158 B2	12/2012	Keiser		2012/0046150 A1	2/2012	Stacey	
8,328,698 B1	12/2012	Webber et al.		2012/0094812 A1	4/2012	Smiley	
D682,955 S	5/2013	Stephan		2012/0115683 A1	5/2012	Ross	
8,500,608 B1	8/2013	Bonomi		2012/0329614 A1	12/2012	Schiano	
8,517,900 B1	8/2013	Britt		2013/0030334 A1 *	1/2013	Agostini	A63B 23/1218
D703,773 S	4/2014	Henry					601/46
D711,021 S	8/2014	Singh		2013/0178338 A1	7/2013	Ross	
D711,155 S *	8/2014	OBrien	D6/550	2013/0184124 A1	7/2013	Reed	
D718,883 S	12/2014	Thrush et al.		2013/0237394 A1	9/2013	Fowler	
D718,884 S	12/2014	Thrush et al.		2013/0260970 A1	10/2013	Moskovich	
8,992,395 B2	3/2015	Orakwusi		2013/0296143 A1	11/2013	Staten et al.	
9,011,298 B2	4/2015	Bonomi		2014/0094347 A1	4/2014	Orakwusi	
9,044,629 B2	6/2015	Ross		2014/0166834 A1	6/2014	Kuroyanagi et al.	
D734,410 S	7/2015	Childs et al.		2014/0221163 A1	8/2014	McBride et al.	
D735,820 S	8/2015	Alenaddaf		2014/0256517 A1	9/2014	Poppinga	
D735,821 S	8/2015	Alenaddaf		2014/0302968 A1	10/2014	Velikin et al.	
D742,540 S	11/2015	Singh		2014/0371040 A1	12/2014	Vasquez et al.	
D742,543 S	11/2015	Singh		2015/0016919 A1	1/2015	Tambornino et al.	
9,192,799 B2	11/2015	Alenaddaf		2015/0059257 A1	3/2015	Beaver et al.	
D747,372 S *	1/2016	Kim	D15/89	2015/0065316 A1	3/2015	Towley, III et al.	
9,308,410 B2	4/2016	Beaver et al.		2015/0069257 A1	3/2015	Besson	
D757,531 S	5/2016	Rusher		2015/0076092 A1	3/2015	Tambornino et al.	
9,333,387 B2	5/2016	Hopperstad et al.		2015/0126335 A1 *	5/2015	Gilson	A63B 1/00
D764,607 S	8/2016	Beckford et al.					482/38
9,409,048 B1	8/2016	Hopperstad et al.		2015/0148197 A1	5/2015	Lentz et al.	
9,421,917 B1 *	8/2016	Christian	A62C 27/00	2015/0202485 A1	7/2015	Towley, III et al.	
9,427,611 B1	8/2016	Balentine		2015/0264823 A1	9/2015	Shirley et al.	
9,492,701 B1	11/2016	Bognatz		2015/0290488 A1	10/2015	Hopperstad et al.	
9,498,670 B1	11/2016	Hopperstad et al.		2015/0290965 A1 *	10/2015	Schwartz	E04F 11/1838
9,517,382 B2	12/2016	Payne					428/337
D783,307 S *	4/2017	Kuo	D6/549	2016/0023035 A1	1/2016	Meyer	
9,649,525 B2	5/2017	Hopperstad et al.		2016/0250515 A1	9/2016	Hopperstad et al.	
9,675,829 B1	6/2017	Katz		2016/0338512 A1	11/2016	Royak	
9,700,761 B2	7/2017	Beaver et al.		2016/0339291 A1	11/2016	Hopperstad et al.	
D799,306 S	10/2017	Lee et al.		2017/0065844 A1	3/2017	Hopperstad et al.	
D801,547 S	10/2017	Lopez		2017/0072260 A1	3/2017	Jackson	
D802,164 S	11/2017	Lopez		2017/0150786 A1	6/2017	Ness et al.	
9,844,691 B2	12/2017	Hopperstad et al.		2017/0189736 A1	7/2017	Martin	
9,868,006 B1	1/2018	Epler		2017/0209733 A1	7/2017	Beaver et al.	
D816,173 S	4/2018	Jackson		2017/0239512 A1	8/2017	Brasch et al.	
D817,520 S	5/2018	Gonzales		2017/0246490 A1	8/2017	Hopperstad et al.	
9,993,678 B2	6/2018	Hopperstad et al.		2017/0246496 A1	8/2017	Nelson et al.	
D836,617 S	12/2018	Shu		2017/0259101 A1	9/2017	Im	
10,226,661 B2	3/2019	Henniger et al.		2018/0014680 A1 *	1/2018	Hanley	F16B 7/1427
D852,289 S *	6/2019	Jones	D21/679	2018/0028852 A1	2/2018	Beaver et al.	
D852,539 S *	7/2019	Nilssen	D6/574	2018/0036573 A1	2/2018	Lennox et al.	
D852,907 S	7/2019	Sergakis		2018/0056108 A1	3/2018	Kelly	
D853,587 S	7/2019	Jackson et al.		2018/0056116 A1	3/2018	Le Nguyen	
D853,588 S	7/2019	Jackson et al.		2018/0104522 A1	4/2018	Hopperstad et al.	
D853,589 S	7/2019	Jackson et al.		2018/0117382 A1	5/2018	Johanson et al.	
D854,635 S *	7/2019	Dunahay	D21/679	2018/0140922 A1	5/2018	Greer	
D857,241 S	8/2019	Sakamoto et al.		2018/0142832 A1	5/2018	Inouye	
D869,688 S	12/2019	Lanzafame		2018/0153305 A1	6/2018	Haines	
D879,216 S *	3/2020	Dunahay	D21/686	2018/0154234 A1	6/2018	Pack et al.	
D879,217 S	3/2020	Dunahay		2018/0178051 A1	6/2018	Shaw, Jr.	
10,576,322 B2	3/2020	Schlegel		2018/0185694 A1	7/2018	Schween	
D883,405 S	5/2020	Dunahay		2018/0243597 A1	8/2018	Schlegel	
D886,214 S *	6/2020	Jones	D21/679	2018/0318635 A1	11/2018	Lee	
D886,920 S	6/2020	Dunahay		2018/0326250 A1	11/2018	Henniger et al.	
D888,851 S	6/2020	Dunahay		2019/0046835 A1	2/2019	Henniger et al.	
D892,948 S *	8/2020	Huang	D21/679				

2019/0126088 A1 5/2019 Henniger et al.
 2019/0240521 A1 8/2019 Staten
 2019/0269992 A1 9/2019 Dunahay

FOREIGN PATENT DOCUMENTS

EP 2400205 A1 12/2011
 WO 2008054720 A2 5/2008
 WO 2009003280 A1 1/2009

OTHER PUBLICATIONS

<https://gearmashers.com/rogue-fitness-jammer-pull-up-bar-review/>
 (Year: 2020).*

Rogue product advertisement dated Dec. 3, 2015 (redacted).

Rogue fitness product video screenshots from <<https://www.youtube.com/watch?v=TRpmZ68p5Hw>>, dated Sep. 19, 2017.

Gorilla Fitness product advertisement dated Apr. 16, 2018 (redacted).

Bulldog Gear product advertisement dated Jan. 11, 2018.

Pure Strength product listing dated Sep. 6, 2018 from <<https://www.pure-strength.com/collections/slim-gym-utility-plate>>.

Titan Fitness product listing dated Sep. 6, 2018 from <<https://www.titan.fitness/t-3-folding-power-rack-stringers.html>>.

Titan Fitness product listing dated Sep. 6, 2018 from <<https://www.titan.fitness/41-inch-deep-folding-wall-mount-rack.html>>(product known to be available as of Mar. 2, 2016).

Product listing for Rogue V2 Face Mount Pull-up Bar for Monster Lite from <https://web.archive.org/web/20161105161238/https://www.roguefitness.com/rogue-v2-face-mount-pull-up-bar-for-monster-lite>, dated Nov. 5, 2016.

Jan. 11, 2019—(WO) ISR and WO—App No. PCT/US2018/059018.

Rogue P-3 Pull-Up System; <https://web.archive.org/web/20160901091143/http://www.roguefitness.com/p3-pullup-system>; 5 pages downloaded Dec. 7, 2020.

Rogue P-5V Garage Pull-Up System; <https://web.archive.org/web/20160812065929/http://www.roguefitness.com:80/rogue-p-5v-garage-pullup-system>; 13 pages downloaded Dec. 7, 2020.

Screenshot of Level Mount tv mount from <https://www.youtube.com/watch?v=YUVvZr3qTrc>, dated Mar. 26, 2012, accessed Jun. 2, 2020.

Screenshot of Abt Electronics wall mount from <https://www.youtube.com/watch?v=XJEmJhEleH0>, dated Jun. 6, 2013, accessed Jun. 2, 2020.

Screenshot of Show Me CABLES ultra slim tv wall mount from <https://www.youtube.com/watch?v=UfcsWN7brCg>, dated Jun. 27, 2016, accessed Jun. 2, 2020.

Screenshot of Texonic Model LX67 wall mount from <https://www.youtube.com/watch?v=ojTXO9edjEc>, dated Jul. 5, 2017, accessed Jun. 2, 2020.

Screenshot of Sony SUWL450 wall mount from https://www.amazon.co.uk/Sony-SUWL450-Wall-Mount/dp/B00IZEIZB4/ref=sr_1_20?keywords=Sony+Wall+Mount+Bracket&qid=1580915273&sr=E2%80%A6, dated Mar. 14, 2014.

Screenshot of Sony Durotic TV Bracket TV123M wall mount from https://www.amazon.co.uk/dp/B001PHBZFQ/ref=psdc_1338216031_t4_B07MX3Q3NZ, dated Jan. 12, 2009.

Screenshot of wall bracket from Weinmann-Schanz, <http://web.archive.org/web/20170909025230/http://www.weinmann-schanz.de/de/de/Heizung/Neu-im-Sortiment/W%C3%A4rmeerzeuger-Speicher/pid.1143.1160/agid.90421.90432.105367/ecm.ag/Abstandsmontageplatten-f%C3%BCr-Wandkonsolen.html>, dated Sep. 9, 2017.

Screenshot of wall bracket from Weinmann-Schanz, <https://www.weinmann-schanz.de/de/de/Heizung/W%C3%A4rmeerzeuger-Speicher/Abgassysteme/Edelstahl-Abgassystem-Uni-DW-doppelwandig/Abstandsmontageplatten-f%D3%BCr-Wandkonsolen-sid134351.htm>, accessed Feb. 6, 2020.

Screenshot of wall mounting bracket Dv5 from Hornung's Industrial Gas Catalogue, <http://my.page2flip.de/1672972/2178732/2178865/pdf/CatalogueforindustrialgascontrolequipmentHornungGmbH.pdf>, dated Jan. 2013.

Screenshot of wall mounting bracket D2 from Hornung's Industrial Gas Catalogue, <http://my.page2flip.de/1672972/2178732/2178865/pdf/CatalogueforindustrialgascontrolequipmentHornungGmbH.pdf>, dated Jan. 2013, accessed Feb. 6, 2020.

Screenshot of wall mounting bracket painted from Hornung's Industrial Gas Catalogue, <http://my.page2flip.de/1672972/2178732/2178865/pdf/CatalogueforindustrialgascontrolequipmentHornungGmbH.pdf>, dated Jan. 2013, accessed Feb. 6, 2020.

Screenshot of wall mounting bracket in stainless steel electropolishing from Hornung's Industrial Gas Catalogue, <http://my.page2flip.de/1672972/2178732/2178865/pdf/CatalogueforindustrialgasconLiulequipmentHomungGmbH.pdf>, dated Jan. 2013, accessed Feb. 6, 2020.

Screenshot of wall mounting bracket in stainless steel, electropolishing, HP 550-552 from Hornung's Industrial Gas Catalogue, <http://my.page2flip.de/1672972/2178732/2178865/pdf/CatalogueforindustrialgasconrolequipmentHornungGmbH.pdf>, dated Jan. 2013, accessed Feb. 6, 2020.

Screenshot of Altecnic Expansion Vessel Bracket from https://www.amazon.co.uk/dp/B00QVM4LCE/ref=ssp_dk_detail_0?psc=1&pd_rd_i=B00QVM4LCE&pd_rd_w=6dXas&pf_rd_p=1055d8b2-c10c-4%E2%80%A6, dated Dec. 11, 2014, accessed Feb. 5, 2020.

Screenshot of Reflex Winkelmann Wall Holder from <https://www.amazon.co.uk/Reflex-Winkelmann-7611000-Holder-25-Litre/dp/B0017UWL6L>, dated Dec. 13, 2012, accessed Feb. 5, 2020.

Design View copy of Registered Community Design No. 002104463-0001, dated Sep. 17, 2012.

Design View copy of Registered Community Design No. 00765862-0001, dated Jul. 27, 2007.

Design View copy of Registered Community Design No. 000153796-0002, dated Feb. 25, 2004.

Screenshot of Mammoth Lite Folding Rack from BULLDOG Gear Instagram account, dated Jan. 11, 2018.

Screenshot of Folding Rack from Bulldog Gear Instagram account, dated Oct. 2, 2018.

Screenshot of wall bracket from Weinmann-Schanz, <http://web.archive.org/web/20170529161506/http://www.weinmann-schanz.de:80/de/de/Heizung/Neu-im-Sortiment/W%C3%A4rmeerzeuger-Speicher/pid.1143.1160/agid.90421.90432.105379/ecm.ag/Abstandsmontageplatten-f%C3%BCr-Wandhalter.html>, dated May 29, 2017.

Screenshot of wall bracket from Weinmann-Schanz, <https://www.weinmann-schanz.de/de/de/Heizung/W%C3%A4rmeerzeuger-Speicher/Abgassysteme/Edelstahl-Abgassystem-Uni-DW-doppelwandig/Abstandsmontageplatten-f%C3%BCr-Wandhalter-sid182096.html>, accessed Feb. 11, 2020.

Coulter Ventures LLC v Bulldog Gear Limited, UK High Court (Eng. & Wales), Claim No. HP-2019-000054, Defence and Counterclaim, dated Feb. 13, 2020.

Coulter Ventures LLC v Bulldog Gear Limited, High Court (Eng. & Wales), Claim No. HP-2019-000054, Defendant's Initial Disclosure List of Documents, dated Feb. 12, 2020.

Coulter Ventures LLC v Bulldog Gear Limited, High Court (Eng. & Wales), Claim No. HP-2019-000054, Amended Defence and Counterclaim, dated Apr. 23, 2020.

Coulter Ventures LLC v Bulldog Gear Limited, High Court (Eng. & Wales), Claim No. HP-2019-000054, Amended Defendant's Initial Disclosure List of Documents, dated Apr. 23, 2020.

Coulter Ventures LLC v Bulldog Gear Limited, High Court (Eng. & Wales), Claim No. HP-2019-000054, Re-Amended Defence and Counterclaim, dated Feb. 4, 2021.

Coulter Ventures LLC v Bulldog Gear Limited, High Court (Eng. & Wales), Claim No. HP-2019-000054, Claim Form and Particulars of Claim, dated Dec. 18, 2019.

Coulter Ventures LLC v Bulldog Gear Limited, High Court (Eng. & Wales), Claim No. HP-2019-000054, Claimant's Initial Disclosure List of Documents, dated Dec. 18, 2019.

Coulter Ventures LLC v Bulldog Gear Limited, High Court (Eng. & Wales), Claim No. HP-2019-000054, Reply and Defence to Counterclaim, dated Apr. 2, 2020.

Coulter Ventures LLC v Bulldog Gear Limited, High Court (Eng. & Wales), Claim No. HP-2019-000054, Amended Claim Form and Amended Particulars of Claim, dated Dec. 23, 2020.

Coulter Ventures LLC v Bulldog Gear Limited, High Court (Eng. & Wales), Claim No. HP-2019-000054, Amended Reply and Defence to Counterclaim, dated Feb. 18, 2021.

* cited by examiner

Primary Examiner — Shannon W Morgan
(74) *Attorney, Agent, or Firm* — Banner & Witcoff, Ltd.

(57) **CLAIM**

The ornamental design for a wall mount for pull up bar, as shown and described.

DESCRIPTION

FIG. 1 is a top, front, left perspective view of a wall mount for pull up bar showing my new design;
FIG. 2 is a top, front, right perspective view thereof;
FIG. 3 is a front view thereof;
FIG. 4 is a left side view thereof;
FIG. 5 is a right side view thereof;
FIG. 6 is a top view thereof;
FIG. 7 is a bottom view thereof; and,
FIG. 8 is a top, front, left perspective view of the design in FIGS. 1-7 positioned above a doorframe shown as example environment.

The broken lines immediately adjacent to the shaded area define the bounds of the claimed design and form no part thereof. The broken lines depicting the remainder of the wall mount for pull up bar show features that form no part of the claimed design. The broken lines depicting a doorframe shown as example environment in FIG. 8 show features that form no part of the claimed design.

1 Claim, 6 Drawing Sheets

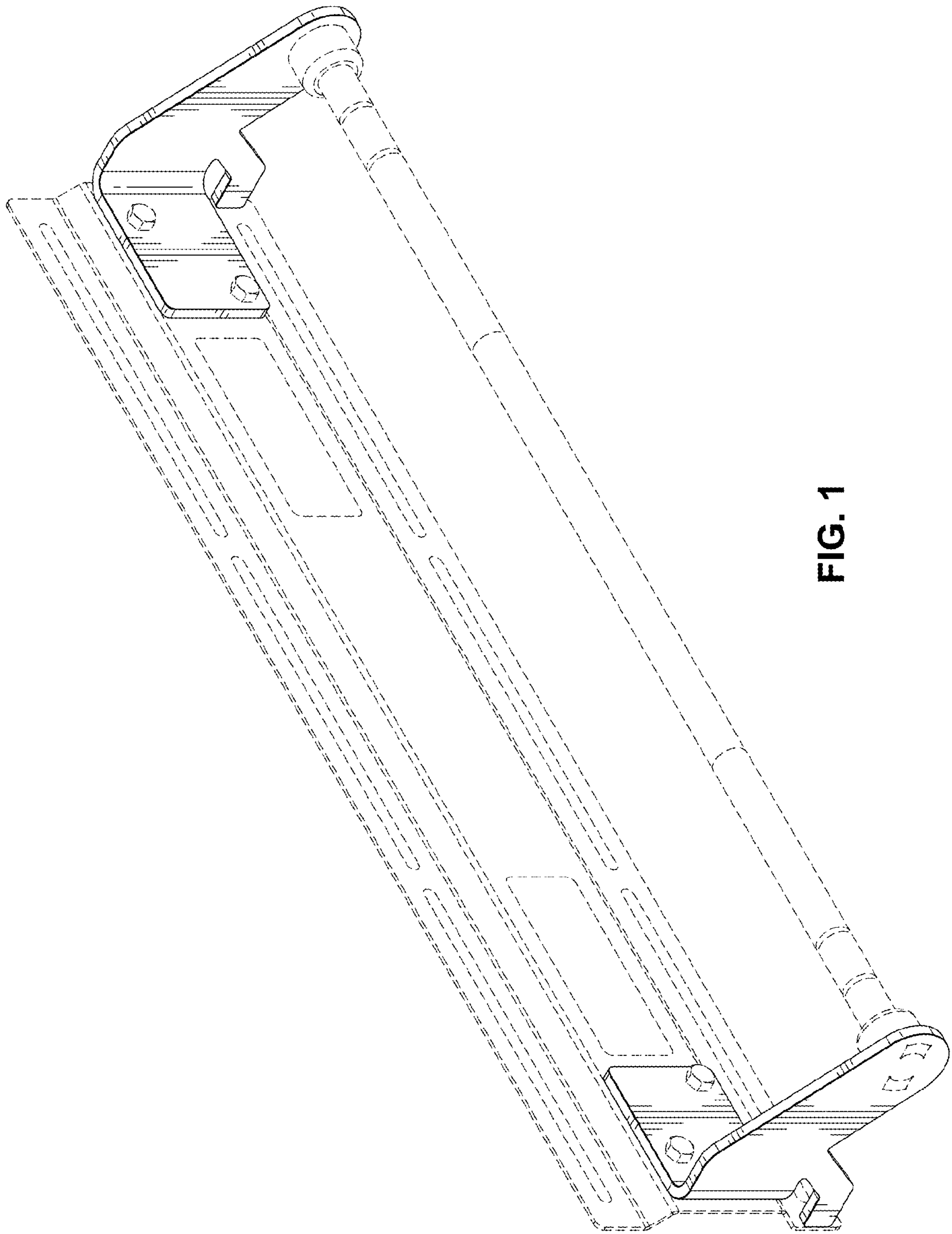


FIG. 1

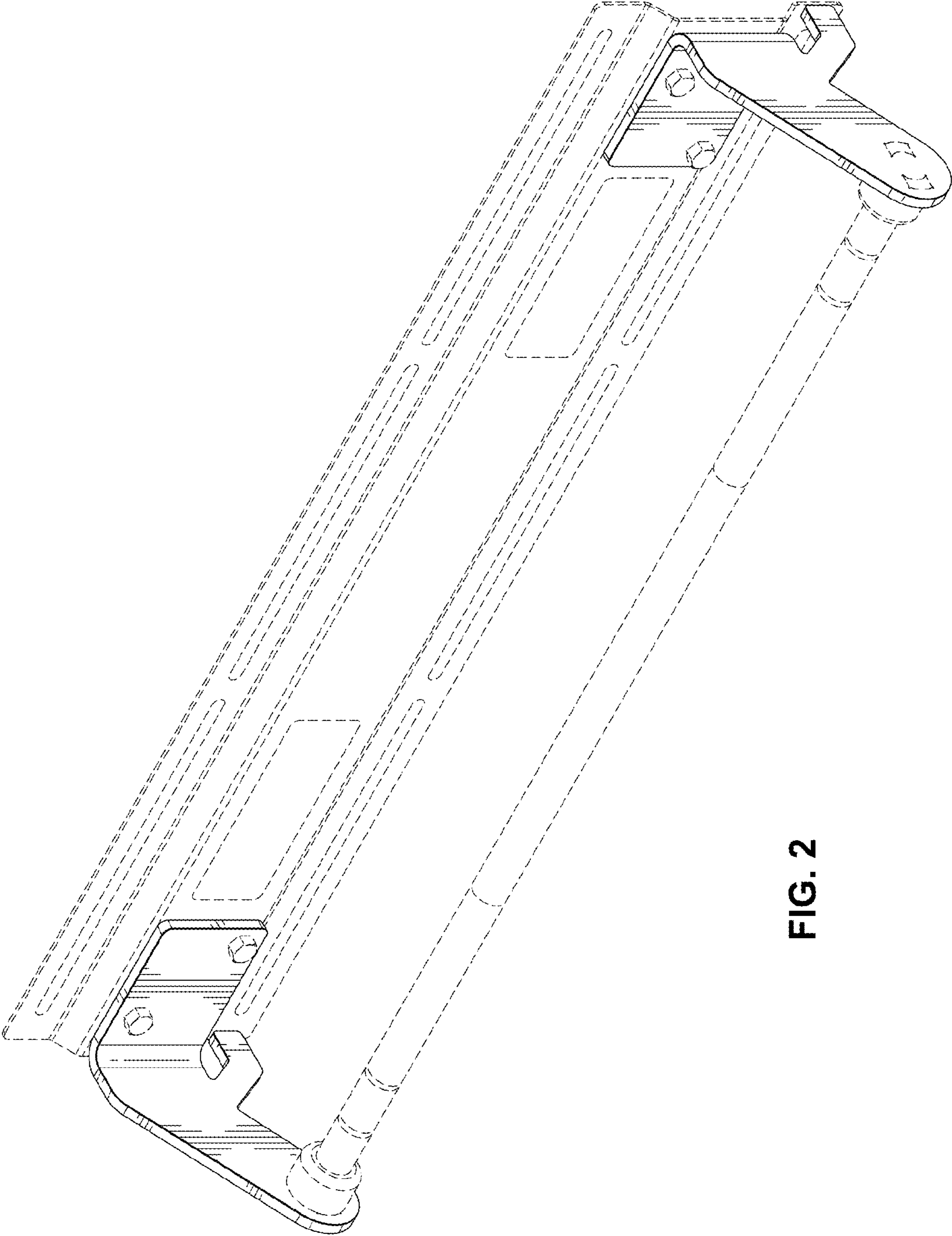


FIG. 2

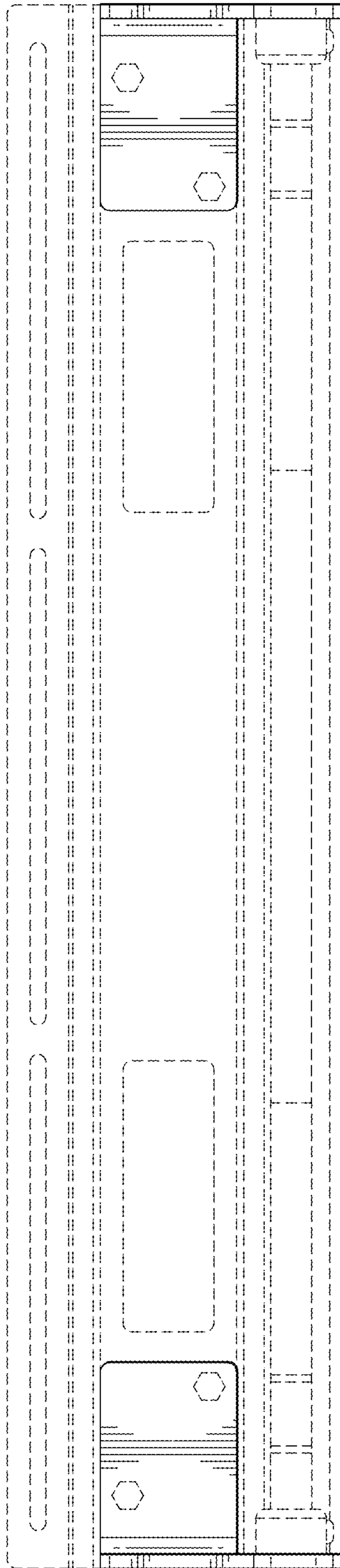


FIG. 3

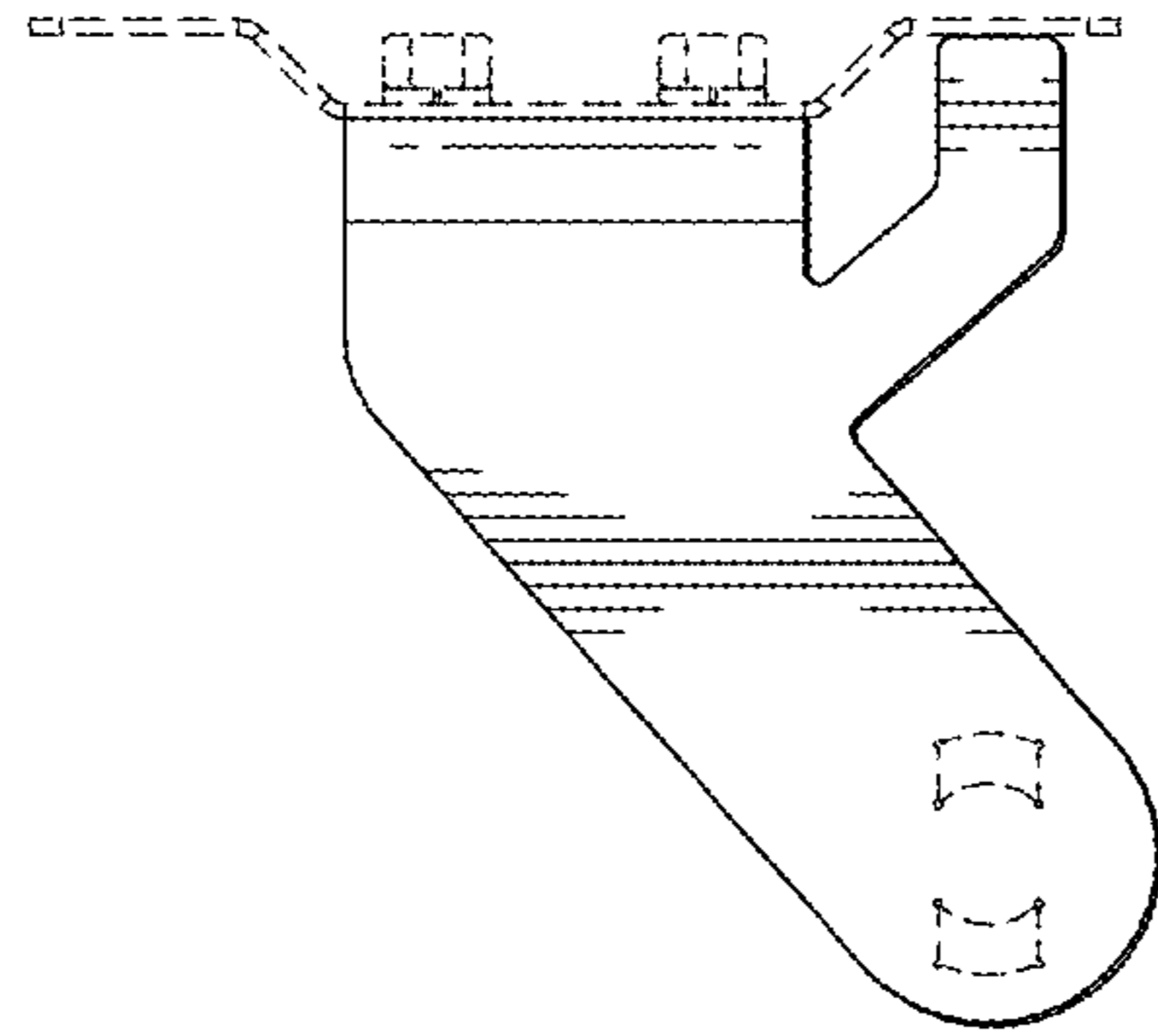


FIG. 5

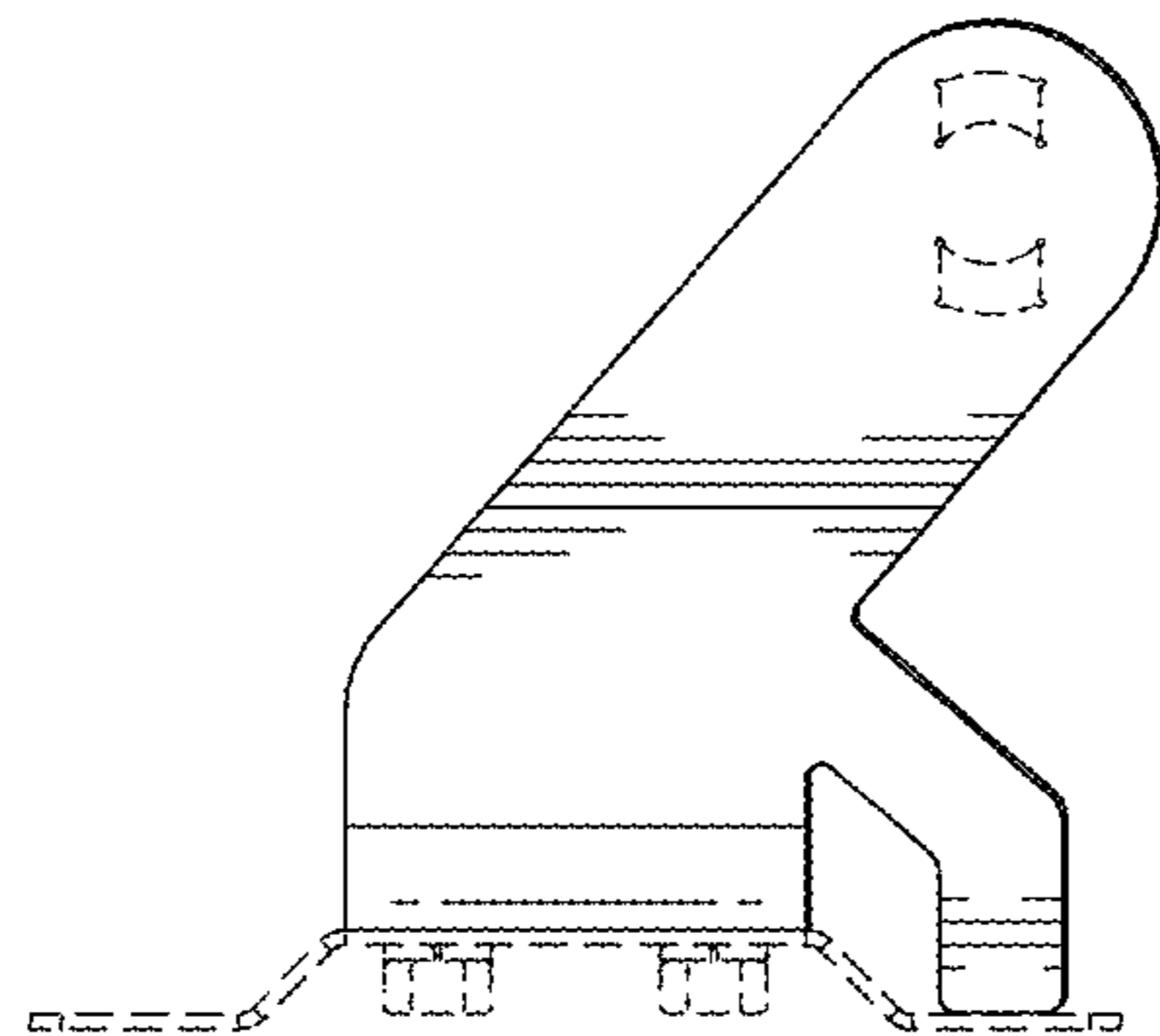


FIG. 4

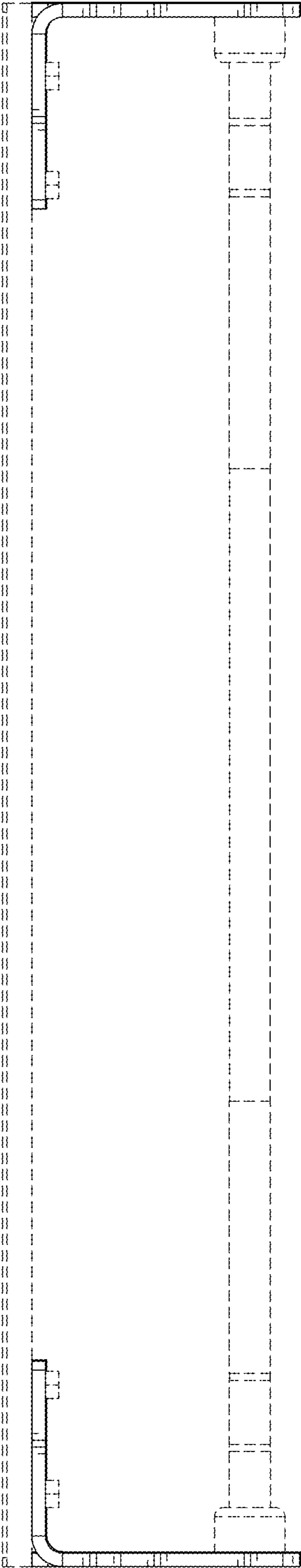


FIG. 6

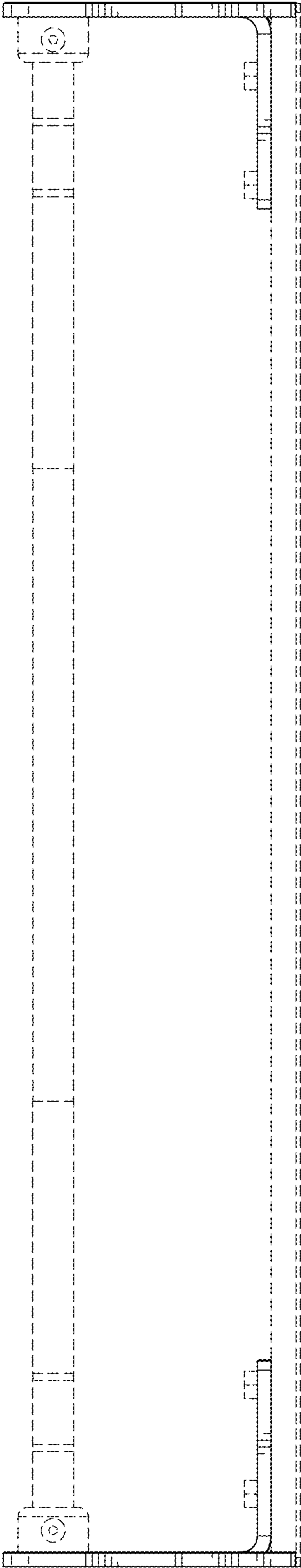


FIG. 7

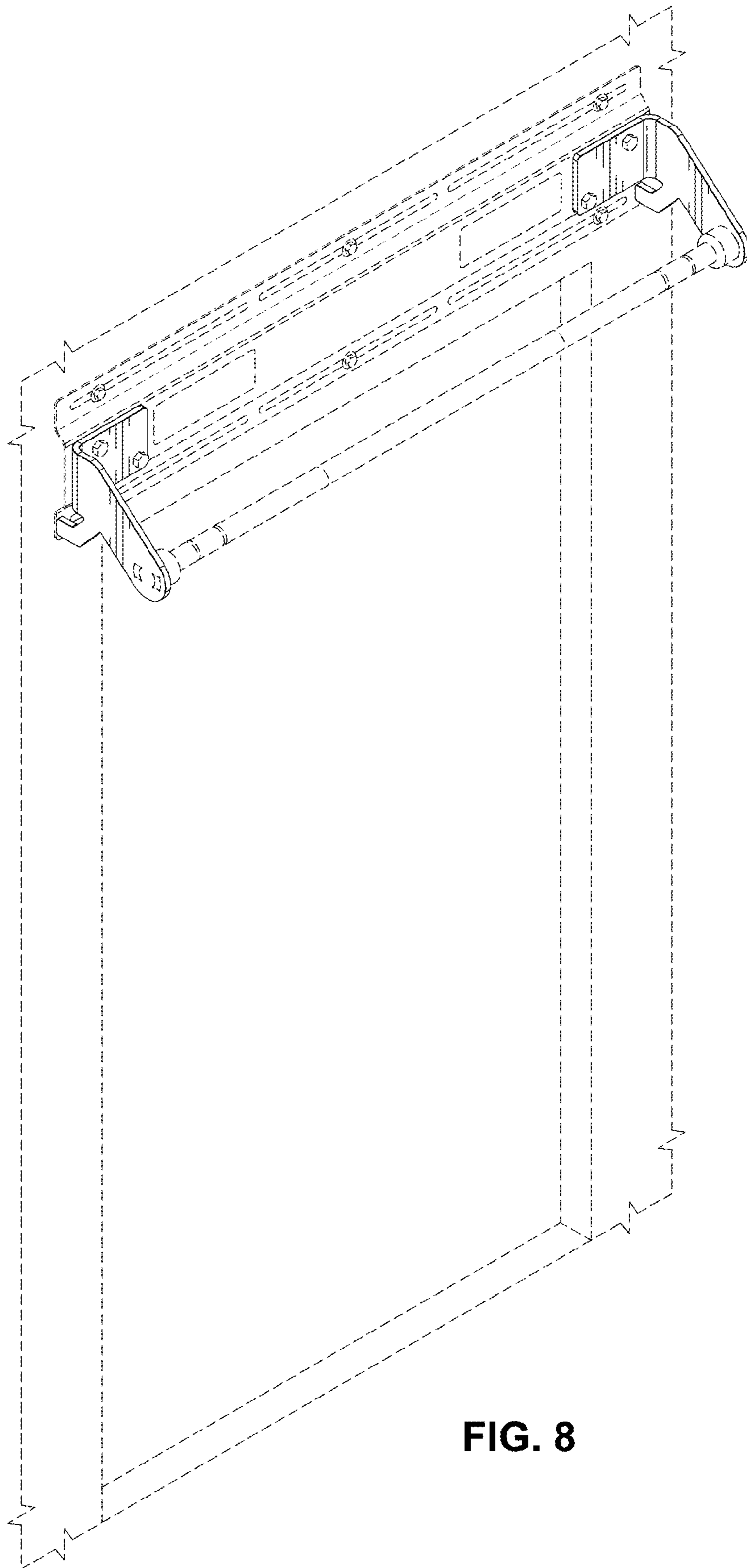


FIG. 8