



US00D929510S

(12) **United States Design Patent**
Bakhtiyari

(10) **Patent No.:** **US D929,510 S**

(45) **Date of Patent:** **** Aug. 31, 2021**

(54) **FACE AND LIP EXERCISE DEVICE**

(71) Applicant: **Maryam Bakhtiyari**, Manhattan Beach,
CA (US)

(72) Inventor: **Maryam Bakhtiyari**, Manhattan Beach,
CA (US)

(**) Term: **15 Years**

(21) Appl. No.: **29/778,271**

(22) Filed: **Apr. 12, 2021**

Related U.S. Application Data

(63) Continuation of application No. 29/708,777, filed on
Oct. 9, 2019, now Pat. No. Des. 916,211.

(51) **LOC (13) Cl.** **21-02**

(52) **U.S. Cl.**

USPC **D21/662**

(58) **Field of Classification Search**

USPC D21/662, 694, 683, 682; D24/133, 152,
D24/176, 200, 211, 212, 213, 214, 215;
D8/499, 396, 393

CPC A61H 7/003; A61H 11/00; A61H 15/0092
See application file for complete search history.

(56) **References Cited**

U.S. PATENT DOCUMENTS

- | | | | |
|---------------|---------|-----------|-----------------------|
| 959,684 A | 5/1910 | Adelman | |
| 1,389,436 A * | 8/1921 | Cameron | A61B 1/24
600/219 |
| 1,851,865 A * | 3/1932 | Ptacek | A63B 23/032
482/11 |
| 3,744,485 A * | 7/1973 | Worthy | A63B 23/032
601/23 |
| 3,841,318 A * | 10/1974 | Olson | A61B 1/32
600/220 |
| 3,938,508 A | 2/1976 | Buckner | |
| 4,200,089 A | 4/1980 | Inoue | |
| D257,324 S | 10/1980 | Huff, Jr. | |

- | | | | |
|---------------|--------|---------|------------------------|
| 4,280,696 A | 7/1981 | Ramon | |
| 4,671,260 A | 6/1987 | Buckner | |
| 5,030,224 A * | 7/1991 | Wright | A61B 17/083
606/151 |

(Continued)

FOREIGN PATENT DOCUMENTS

CN 306042987 9/2020

OTHER PUBLICATIONS

American metal pipe support, announced 2009 [online], [site visited
May 3, 2021]. Available on the internet, URL: https://www.amazon.com/AMERICAN-METAL-4VPH-Hanger-Vent/dp/B000VZM24Q/ref=sr_1_180?dchild=1&keywords=pipe+support&qid=1619805116&sr=8-180 (Year: 2009).*

(Continued)

Primary Examiner — Khawaja Anwar

Assistant Examiner — Julice Seung Eun Oum

(74) *Attorney, Agent, or Firm* — Cislo & Thomas, LLP

(57)

CLAIM

The ornamental design for a face and lip exercise device, as
shown and described.

DESCRIPTION

FIG. 1 is a perspective view of my face and lip exercise
device;

FIG. 2 is a front view of the face and lip exercise device of
FIG. 1;

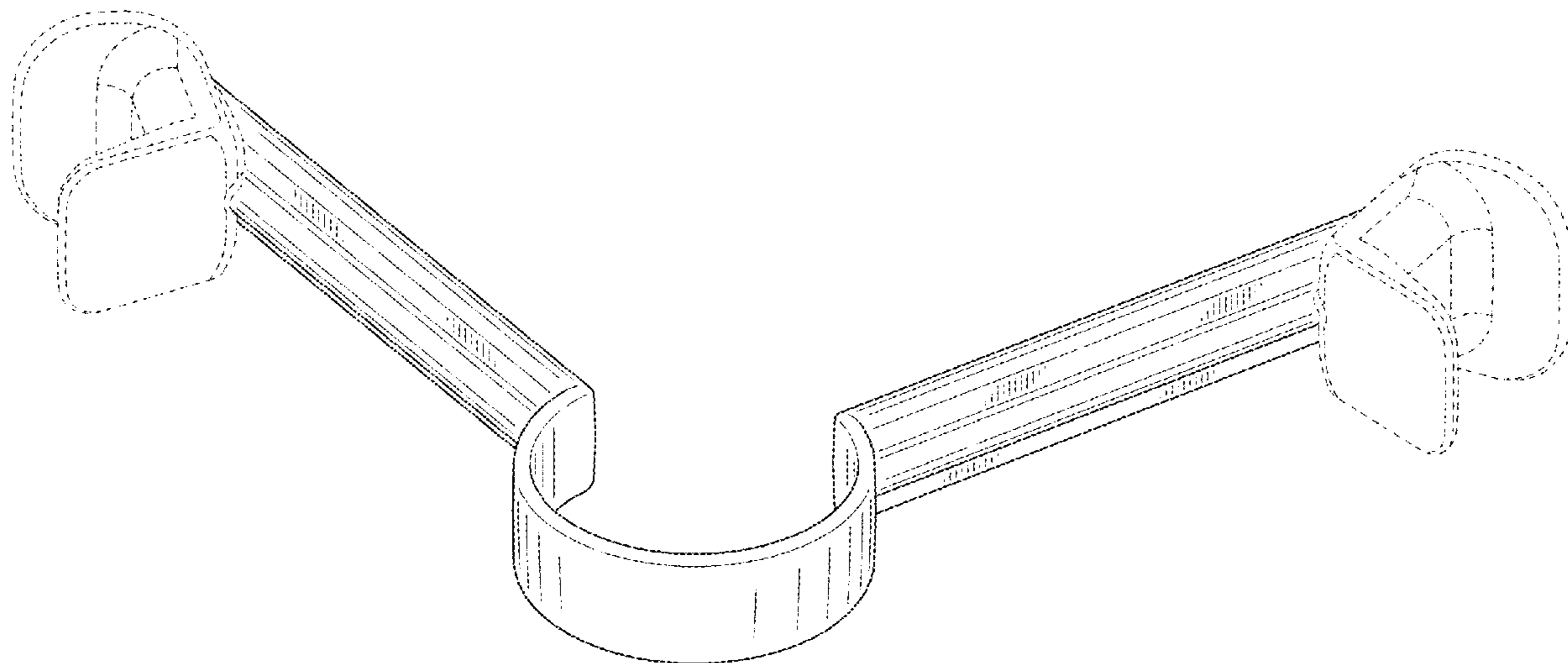
FIG. 3 is a rear view of the face and lip exercise device of
FIG. 1;

FIG. 4 is a top plan view of the face and lip exercise device
of FIG. 1; and,

FIG. 5 is a tight side view of the face and lip exercise device
of FIG. 1, wherein the left side view is a mirror image.

The broken lines shown in the drawings illustrate portions of
my face and lip exercise device that form no part of the
claimed design.

1 Claim, 3 Drawing Sheets



(56)

References Cited

U.S. PATENT DOCUMENTS

5,421,630 A * 6/1995 Sergi B25B 9/02
294/93

D388,846 S 1/1998 Burghoffer

D397,173 S 8/1998 Edell

5,919,116 A 7/1999 Edell

6,702,739 B2 * 3/2004 Levisman A61B 1/24
600/217

7,018,332 B1 * 3/2006 Masson A61B 17/02
600/201

D585,948 S * 2/2009 LoBue D21/692

7,887,461 B2 2/2011 Bakhtiyari

8,287,565 B2 * 10/2012 Risto A61B 17/02
606/206

9,801,365 B2 * 10/2017 Constantine B25B 9/02

D841,450 S * 2/2019 Larson D8/395

D895,416 S * 9/2020 Koiwa D8/499

2007/0281829 A1 12/2007 Ferrara

2009/0143204 A1 8/2009 Gronda et al.

OTHER PUBLICATIONS

Powertec hose pipe hanger, announced 2017 [online], [site visited May 3, 2021]. Available on the internet, URL:https://www.amazon.com/POWERTEC-70173-Hose-Pipe-Hangers/dp/B077NYD2QN/ref=sr_1_105?dchild=1&keywords=pipe+support&qid=1619805385&sr=8-105 (Year: 2017).*

Facial Exerciser. <https://www.amazon.com/Facial-Exerciser-Face-Lift-Corrector-Exercise/dp/B07R3WPQ6Q>. Apr. 2019.

Facial Toning. <https://beautymomme.com/facial-toning-with-bella-lip-appliance/>. Dec. 2018.

Beauty Exercise. <https://hollywood411.medium.com/bla-beauty-exercise-back-the-clock-on-aging-332727c42dfc>. Dec. 2018.

* cited by examiner

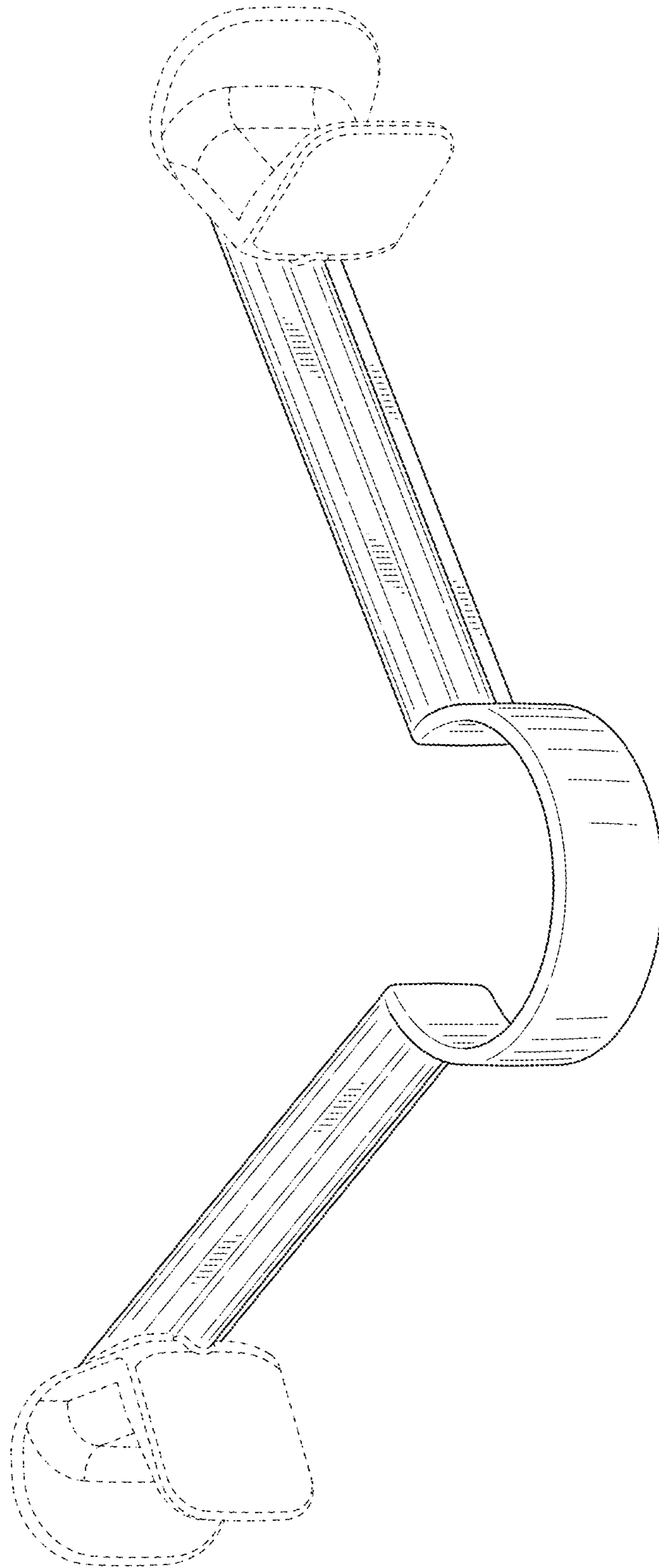


FIG. 1

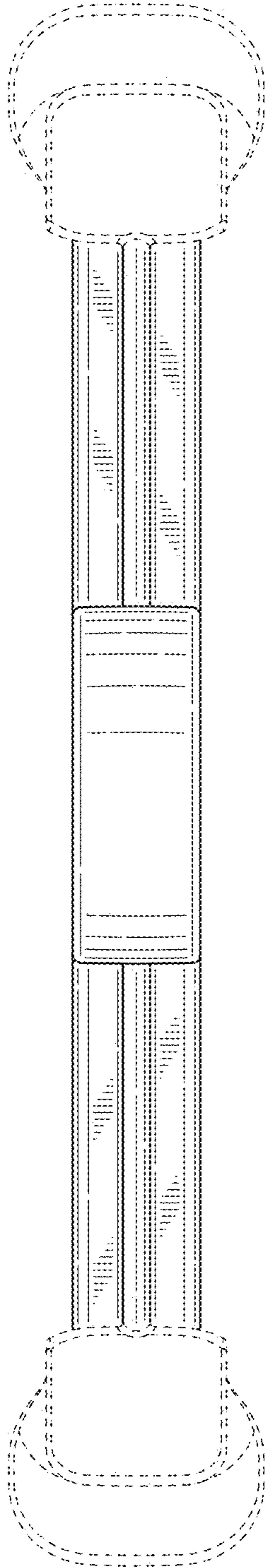


FIG. 2

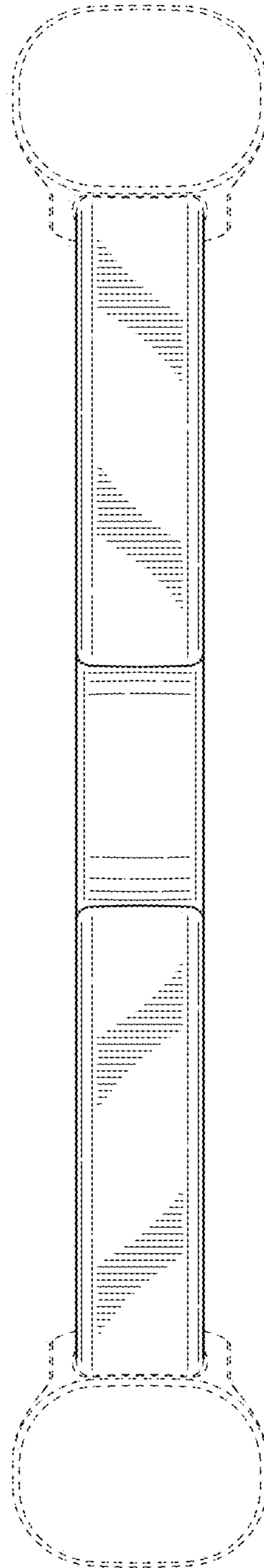


FIG. 3

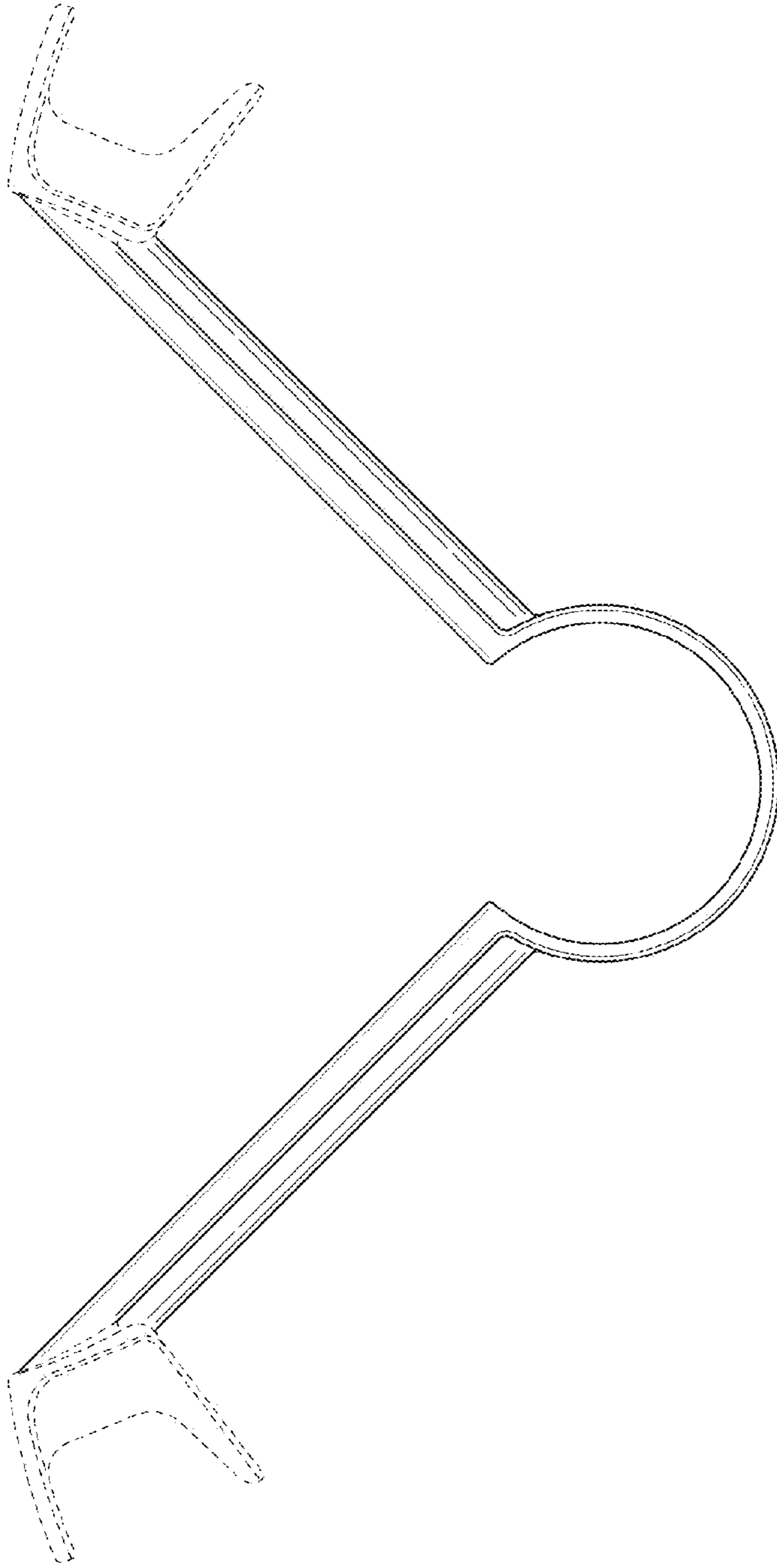


FIG. 4

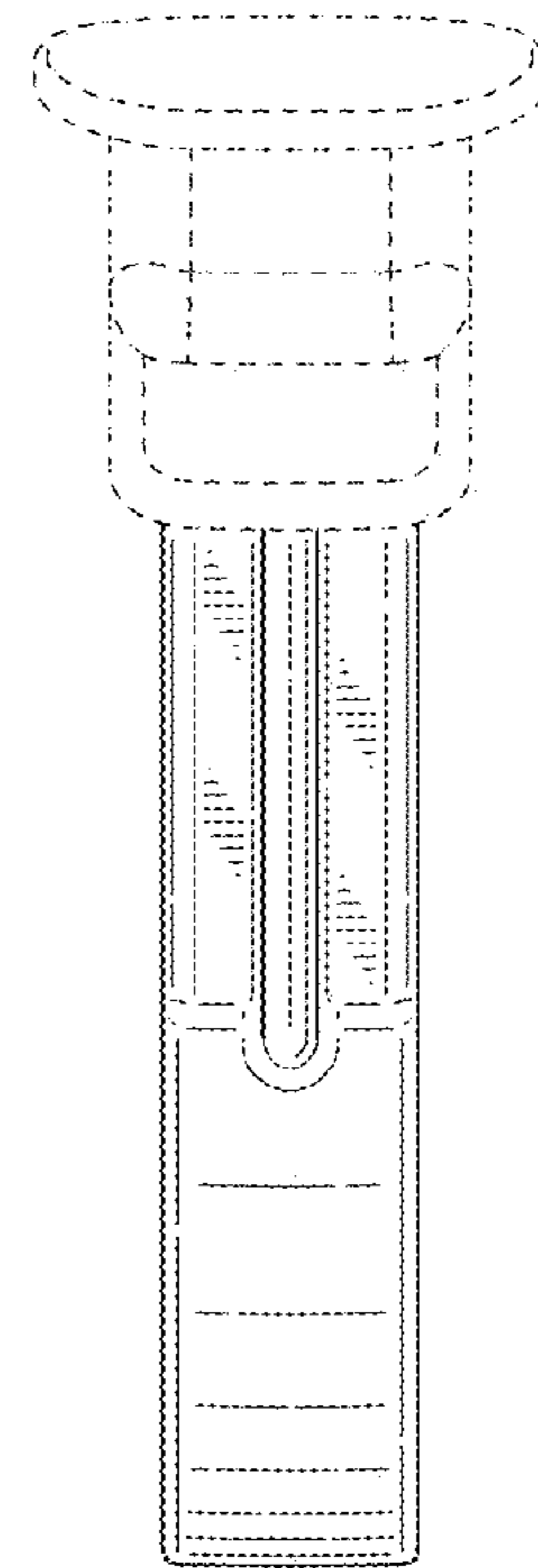


FIG. 5