



US00D929508S

(12) **United States Design Patent** (10) **Patent No.:** **US D929,508 S**  
**Conaway** (45) **Date of Patent:** **\*\* \*Aug. 31, 2021**

(54) **EXERCISE GRIP DEVICE**  
(71) Applicant: **Cornell Conaway**, White Marsh, MD (US)  
(72) Inventor: **Cornell Conaway**, White Marsh, MD (US)

(\* ) Notice: This patent is subject to a terminal disclaimer.

(\*\*) Term: **15 Years**

(21) Appl. No.: **29/601,080**

(22) Filed: **Apr. 19, 2017**

(51) **LOC (13) Cl.** ..... **21-02**

(52) **U.S. Cl.**

USPC ..... **D21/662**; D21/684; D29/117.1; D2/617

(58) **Field of Classification Search**

USPC ..... D8/396, 303; D3/221, 215; D29/124, D29/100, 121.2, 117.2, 117.1, 113, 120.1, D29/101.1; D21/797, 791, 698, 774, 694, D21/684, 662, 683, 682; D2/617, 619, D2/610, 902, 627; D25/119; D24/190, D24/189, 169; D14/334; D12/133, 125; D11/5, 200; D10/68; 602/62, 30, 28, 27, 602/26, 21, 20; 482/93, 50, 23, 92, 139, 482/129, 121, 106; 473/409, 205; 2/69, 2/338, 20, 170, 161.6, 161.1, 161.4, 16, 2/259, 125

CPC ..... A63B 21/0442; A63B 21/0552; A63B 71/141; A63B 23/16; A63B 21/4019; A63B 21/4043; A63B 21/4021; A63B 21/4025; A63B 21/0023; A63B 21/1645; A63B 2023/006; A63B 21/16; A41D 19/01582; A41D 13/082; A41D 19/01547; A41D 13/081

See application file for complete search history.

(56) **References Cited**

**U.S. PATENT DOCUMENTS**

3,541,990 A \* 11/1970 Du Mas ..... B63B 35/817 104/202  
4,400,831 A \* 8/1983 Rietz ..... A63B 71/14 2/161.1

D275,219 S \* 8/1984 Scales, Jr. .... D21/791  
4,487,412 A \* 12/1984 Meeko ..... A63B 21/4021 482/106  
D285,821 S \* 9/1986 Kneisley ..... D11/5  
4,632,103 A \* 12/1986 Fabricant ..... A61F 5/019 602/30  
D340,990 S \* 11/1993 Kawamura ..... D24/190  
5,298,001 A \* 3/1994 Goodson ..... A63B 21/4021 2/161.1

(Continued)

**OTHER PUBLICATIONS**

Hot Pink by Gainz dated no date given. Found online [Dec. 17, 2018] <https://www.gainzsportsgear.com/shop/fphddj8g5ui3qgbuotb9e6jvybfy5u>.\*

*Primary Examiner* — Ryan Harvey

(74) *Attorney, Agent, or Firm* — Theodore P. Cummings, Esq.

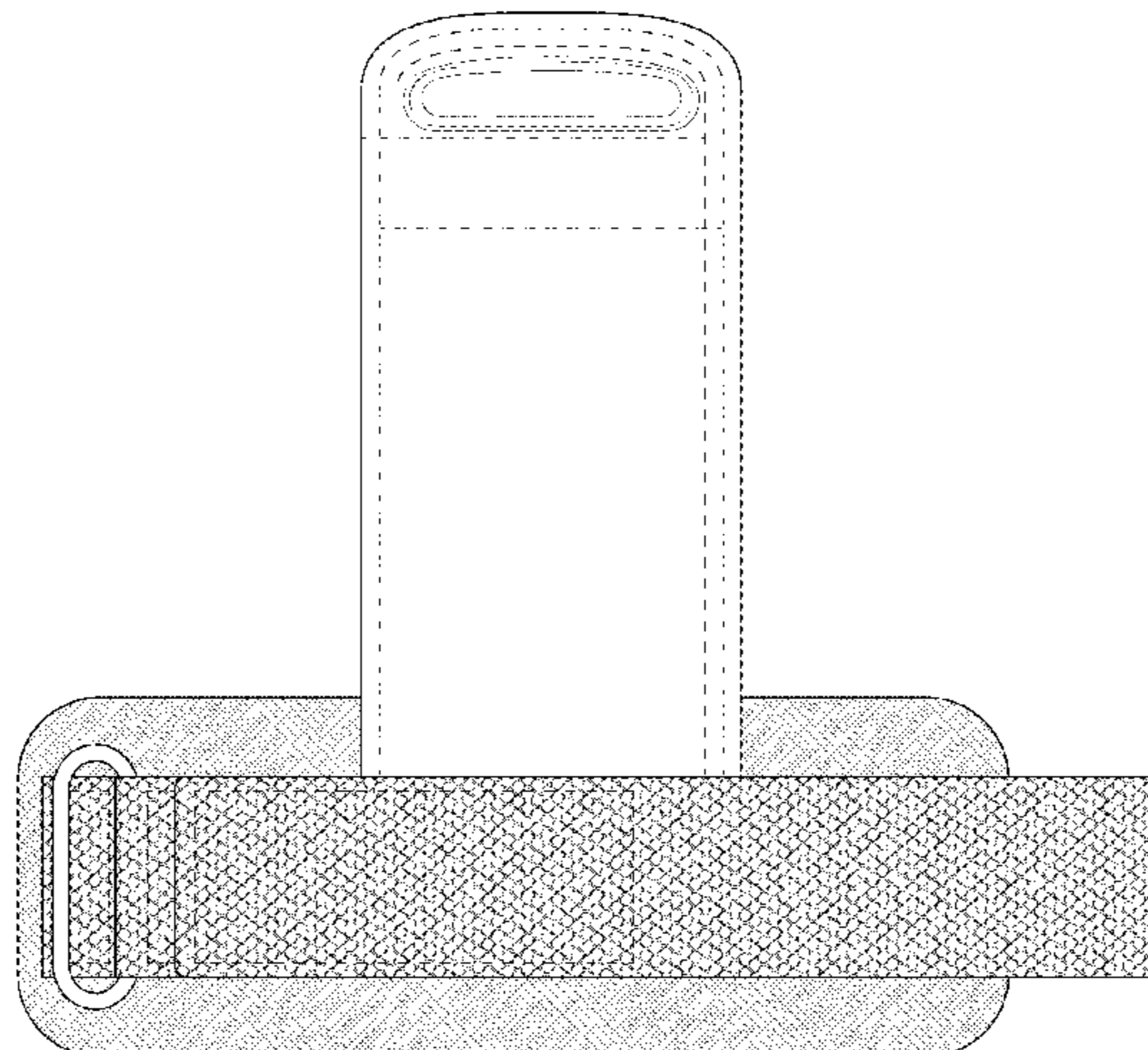
(57) **CLAIM**

The ornamental design for an exercise grip device, as shown and described.

**DESCRIPTION**

FIG. 1 is a front side elevational view of the exercise grip device of the present invention;  
FIG. 2 is a rear side elevational view thereof;  
FIG. 3 is a top down view thereof;  
FIG. 4 is a bottom up view thereof;  
FIG. 5 is a left side elevational view thereof;  
FIG. 6 is a right side elevational view thereof; and,  
FIG. 7 is a front side elevational view of the exercise grip device in an open configuration.  
The broken lines in the drawings represent claimed stitching which forms part of the claim.

**1 Claim, 5 Drawing Sheets**



(56)

References Cited

U.S. PATENT DOCUMENTS

5,324,244	A *	6/1994	Miller	.....	A63B 21/4021 482/106
5,350,343	A *	9/1994	DaSilva	.....	A41D 13/082 2/20
5,634,213	A *	6/1997	Grover	.....	A41D 19/01547 2/161.1
5,813,950	A *	9/1998	Parker	.....	A41D 13/082 2/20
5,898,944	A *	5/1999	Vrany	.....	A41D 19/01547 2/160
D429,880	S *	8/2000	McCullough, Jr.	.....	D3/215
D459,772	S *	7/2002	Meldeau	.....	D21/662
D463,566	S *	9/2002	Slautterback	.....	D24/190
D464,686	S *	10/2002	Silveira	.....	D21/662
6,834,397	B1 *	12/2004	Murphy	.....	A63B 69/0066 2/161.1
6,849,036	B2 *	2/2005	Forslid	.....	A63B 21/4021 482/139
7,043,762	B2 *	5/2006	Greenhalgh	.....	A41D 13/088 2/16
D595,620	S *	7/2009	Kingsbury	.....	D12/125
D633,657	S *	3/2011	Oban	.....	D29/121.2
D647,778	S *	11/2011	Gallik	.....	D8/303
D710,955	S *	8/2014	Boruch	.....	D21/662
8,888,152	B1 *	11/2014	Coakley	.....	B25B 9/00 224/267
8,998,153	B2 *	4/2015	Lucas	.....	A47B 21/0371 2/16
D741,974	S *	10/2015	Lung	.....	D21/698
D751,771	S *	3/2016	Hunter	.....	D29/117.1
D752,695	S *	3/2016	Boruch	.....	
9,339,693	B1 *	5/2016	Pegram, II	.....	A63B 26/00
D769,538	S *	10/2016	Gutman	.....	
9,643,073	B1 *	5/2017	Pellegrino	.....	A63B 71/141
D804,589	S *	12/2017	Boruch	.....	D21/662
D806,956	S *	1/2018	Hunter	.....	D29/117.1
D813,960	S *	3/2018	Boruch	.....	D21/684
D824,112	S *	7/2018	Picon	.....	D29/117.2
2003/0148861	A1 *	8/2003	McBride	.....	A63B 21/4019 482/92
2003/0199364	A1 *	10/2003	Mah	.....	A63B 21/4019 482/23
2005/0075227	A1 *	4/2005	Emick	.....	A63B 21/4001 482/139
2006/0084557	A1 *	4/2006	Kassel	.....	A63B 21/4019 482/139
2008/0008597	A1 *	1/2008	Dannemiller	.....	B63H 16/00 416/70 R
2008/0090705	A1 *	4/2008	Wang	.....	A63B 21/4021 482/106
2008/0120755	A1 *	5/2008	Ingram	.....	A63B 21/4001 2/20
2009/0275448	A1 *	11/2009	Fishman	.....	A63B 21/072 482/139
2013/0232655	A1 *	9/2013	Bell	.....	A41D 13/088 2/16
2013/0310724	A1 *	11/2013	Kazlow	.....	A61F 5/0111 602/27
2014/0213420	A1 *	7/2014	Harris	.....	A63B 71/14 482/93
2014/0343474	A1 *	11/2014	Kazlow	.....	A61F 5/0111 602/28
2014/0373247	A1 *	12/2014	Swaby	.....	A63B 71/14 2/69
2015/0052655	A1 *	2/2015	McCully	.....	A41D 13/084 2/16
2015/0057133	A1 *	2/2015	Nguyen	.....	A63B 21/4019 482/93

\* cited by examiner

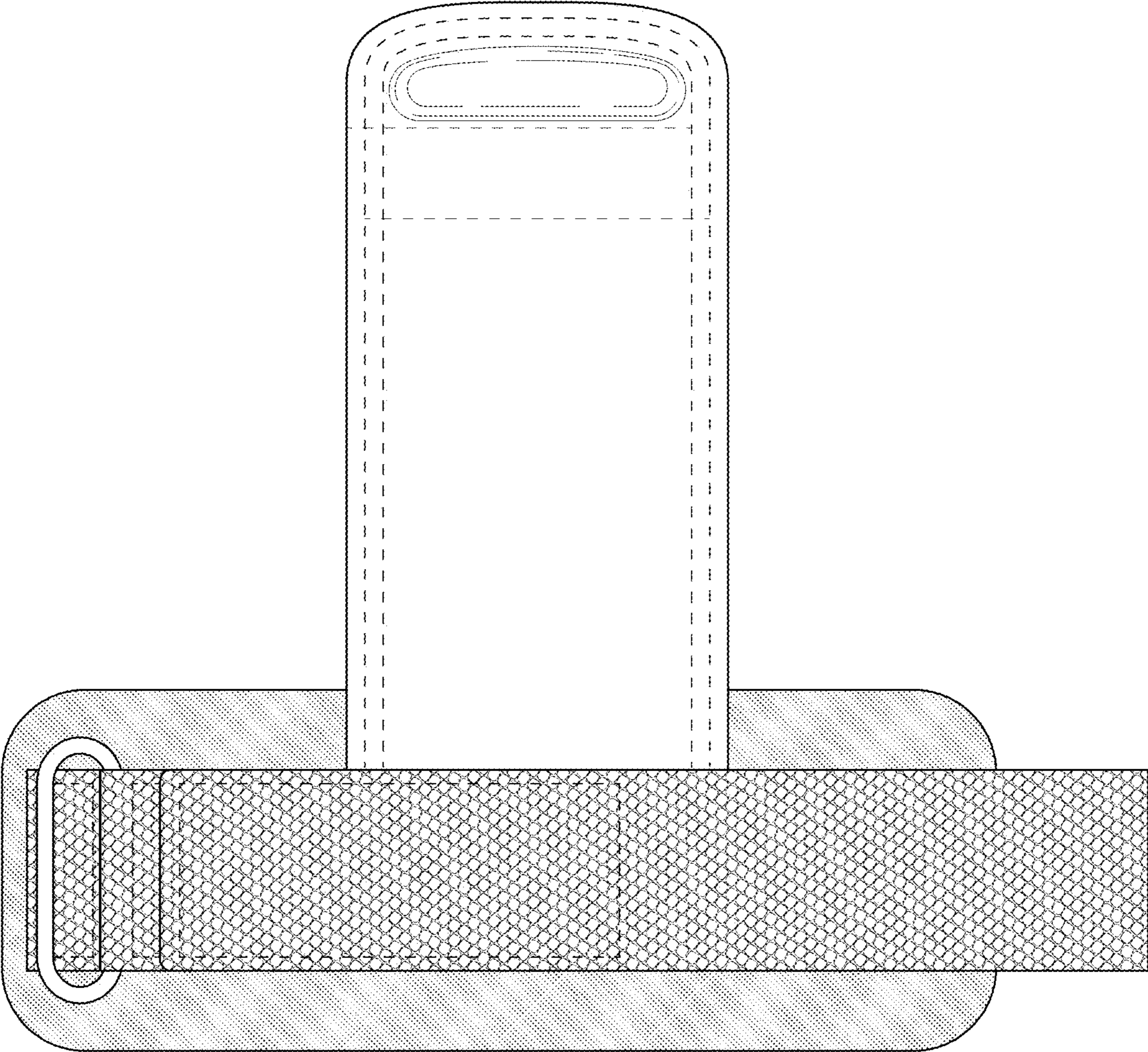


FIG. 1

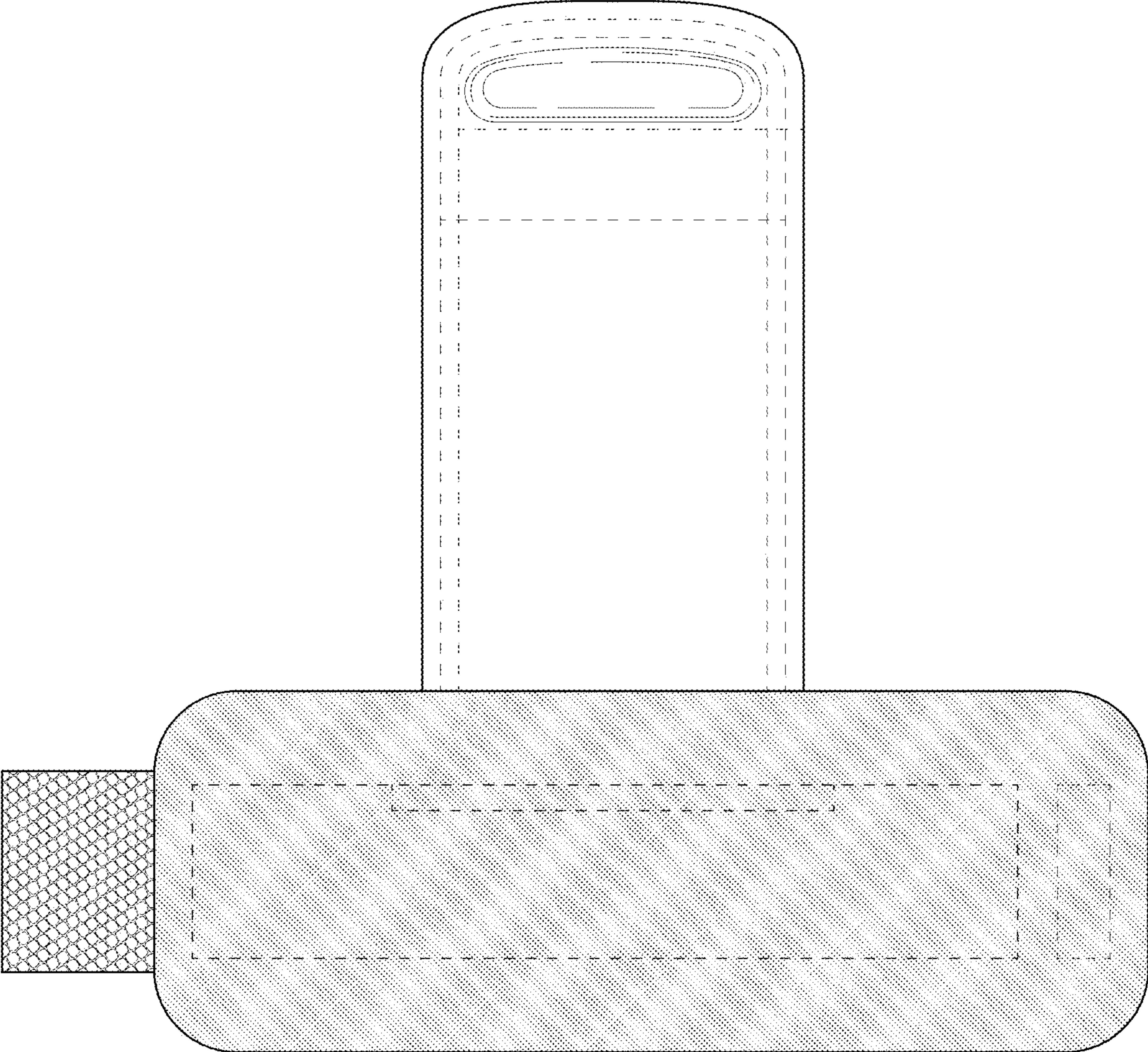


FIG. 2

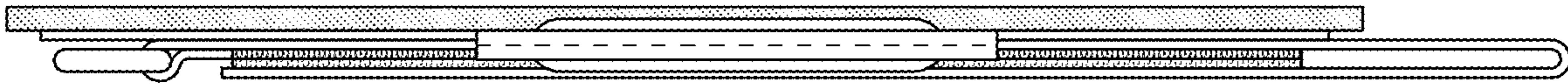


FIG. 3



FIG. 4

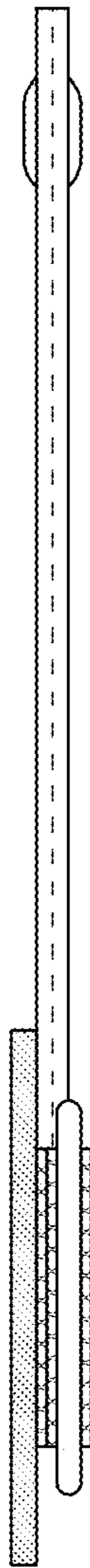


FIG. 5

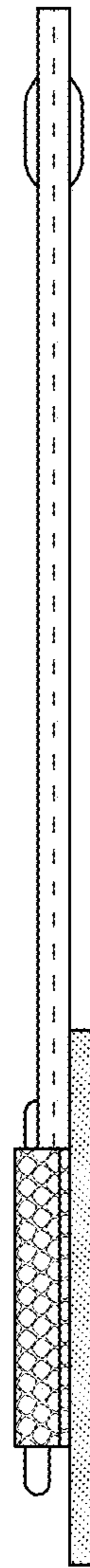


FIG. 6

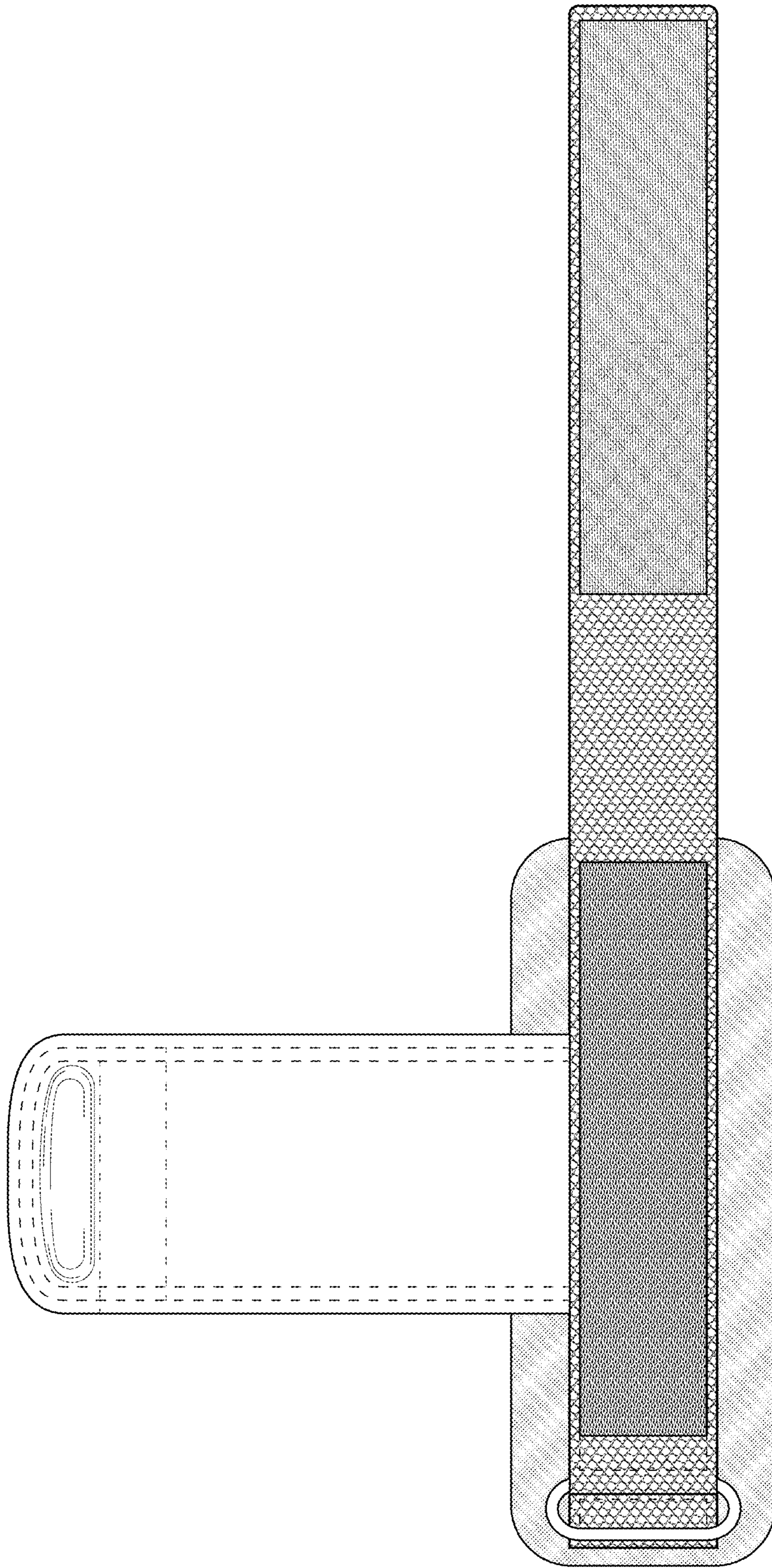


FIG. 7