



US00D929503S

(12) **United States Design Patent** (10) **Patent No.:** **US D929,503 S**
Weisman et al. (45) **Date of Patent:** **** Aug. 31, 2021**

(54) **HYDRANT WATER TOY**

OTHER PUBLICATIONS

(71) Applicant: **Global Marketing Enterprise (GME) Ltd.**, Tel Aviv (IL)

Fire hydrant sprinkler, announced 2016 [online], [site visited May 7, 2021]. Available on internet, URL: <https://www.youtube.com/watch?v=6qrFJaDYmNk> (Year: 2016).*

(72) Inventors: **Zafrira Weisman**, Tel Aviv (IL); **Israel Zanger**, Tel Aviv (IL)

Bedwina fire hydrant, announced 2019 [online], [site visited May 7, 2021]. Available on internet, URL: [https://www.amazon.com/Straw-Fire-Hydrant-Cups-Lids/dp/B07MVM5RGR/ref=pd_day0fht_img_2/135-8899104-5242047?_encoding=UTF8&pd_rd_i=B07MVM5RGR&pd_rd_r=d902ec2c-5e9f-4359-939e-feebb7cafe53&pd_rd_w=\(Year: 2019\) Qbvic&pd_rd_wg=fp4vM&pf_rd_p=6a05ef20-9a93-4152-93b4-38b758e10220&pf_rd_r=D4Q7AC1CVBFG1HDRNNFS&psc=1&refRID=D4Q7AC1CVBFG1HDRNNFS](https://www.amazon.com/Straw-Fire-Hydrant-Cups-Lids/dp/B07MVM5RGR/ref=pd_day0fht_img_2/135-8899104-5242047?_encoding=UTF8&pd_rd_i=B07MVM5RGR&pd_rd_r=d902ec2c-5e9f-4359-939e-feebb7cafe53&pd_rd_w=(Year: 2019) Qbvic&pd_rd_wg=fp4vM&pf_rd_p=6a05ef20-9a93-4152-93b4-38b758e10220&pf_rd_r=D4Q7AC1CVBFG1HDRNNFS&psc=1&refRID=D4Q7AC1CVBFG1HDRNNFS) (Year: 2019).*

(73) Assignee: **Global Marketing Enterprise (GME) Ltd.**, Tel Aviv (IL)

(**) Term: **15 Years**

* cited by examiner

(21) Appl. No.: **29/720,687**

(22) Filed: **Jan. 15, 2020**

Primary Examiner — Khawaja Anwar

Assistant Examiner — Julice Seung Eun Oum

(30) **Foreign Application Priority Data**

Dec. 25, 2019 (IL) 64599

(74) *Attorney, Agent, or Firm* — Roach Brown McCarthy & Gruber; Kevin D. McCarthy

(51) **LOC (13) Cl.** **21-01**

(57) **CLAIM**

(52) **U.S. Cl.**
USPC **D21/483**

The ornamental design for a hydrant water toy, as shown and described.

(58) **Field of Classification Search**
USPC D21/415, 402, 588, 398, 428, 576, 483;
D23/234
See application file for complete search history.

DESCRIPTION

(56) **References Cited**

U.S. PATENT DOCUMENTS

D240,062 S * 5/1976 Satten D21/483
D328,620 S * 8/1992 Maple D21/483
D480,243 S * 10/2003 Edwards D23/234
D522,286 S * 6/2006 Edwards D6/518
D734,585 S * 7/2015 Brennan D34/4
D793,527 S * 8/2017 Zanger D23/213
D796,587 S * 9/2017 Weisman D21/473
D847,948 S * 5/2019 Goerdts D23/215

FIG. 1 is an isometric view of a hydrant water toy of the applicant's design;

FIG. 2 is a front view of FIG. 1;

FIG. 3 is a back view of FIG. 1;

FIG. 4 is a left side view of FIG. 1;

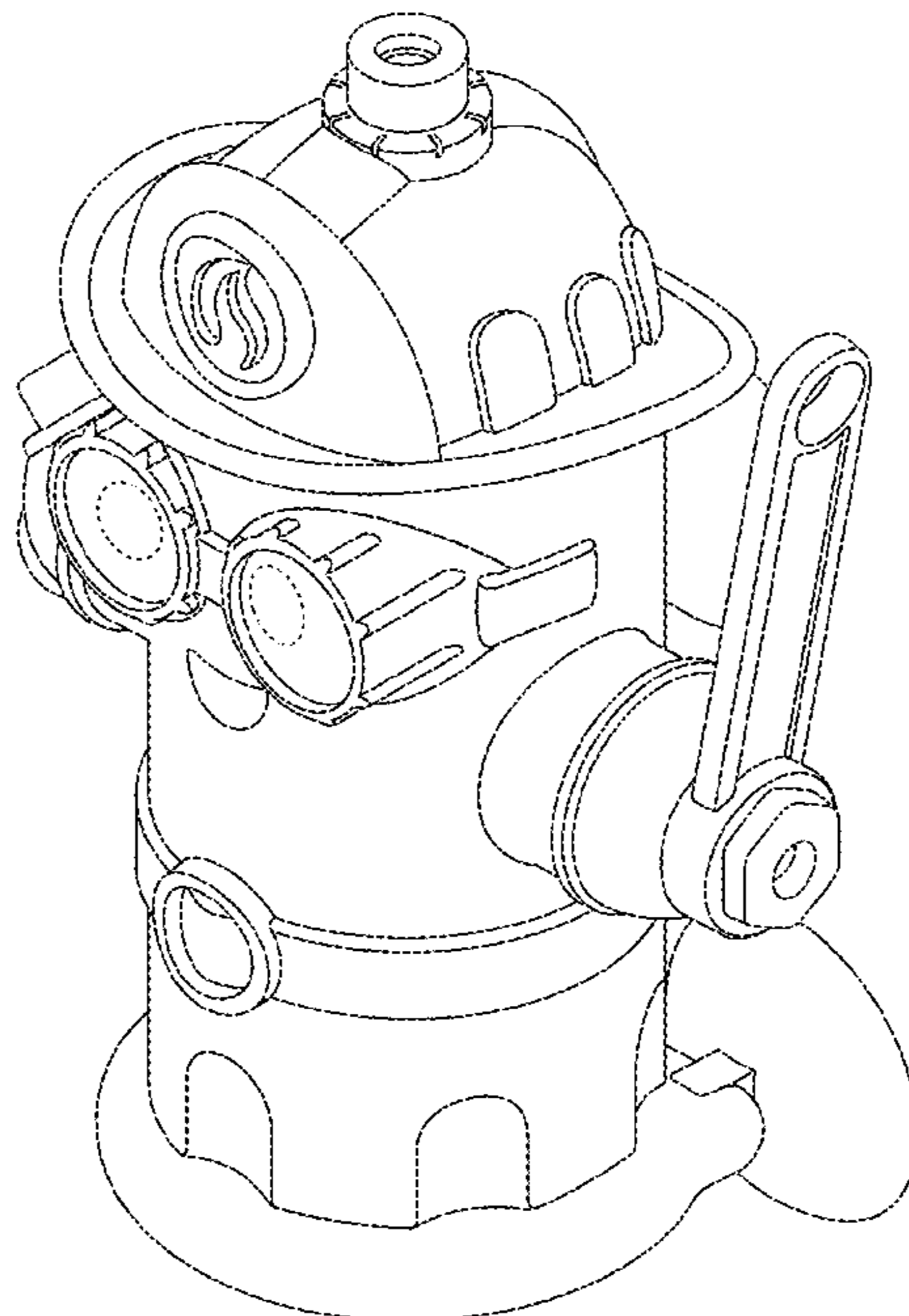
FIG. 5 is a right side view of FIG. 1;

FIG. 6 is a top side view of FIG. 1; and,

FIG. 7 is a bottom view of FIG. 1.

The broken lines shown in the drawings form no part of the claimed design.

1 Claim, 7 Drawing Sheets



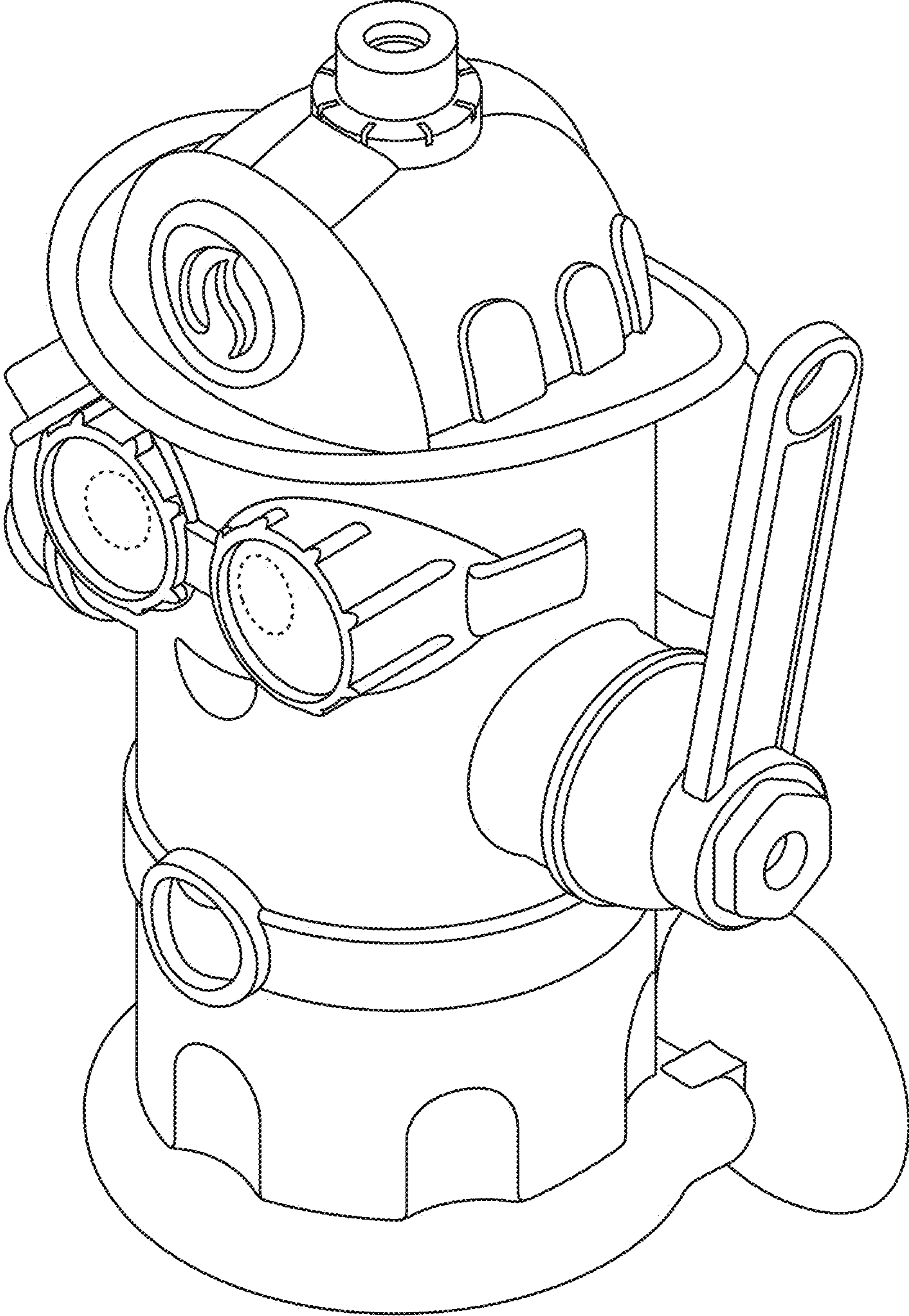


Fig. 1

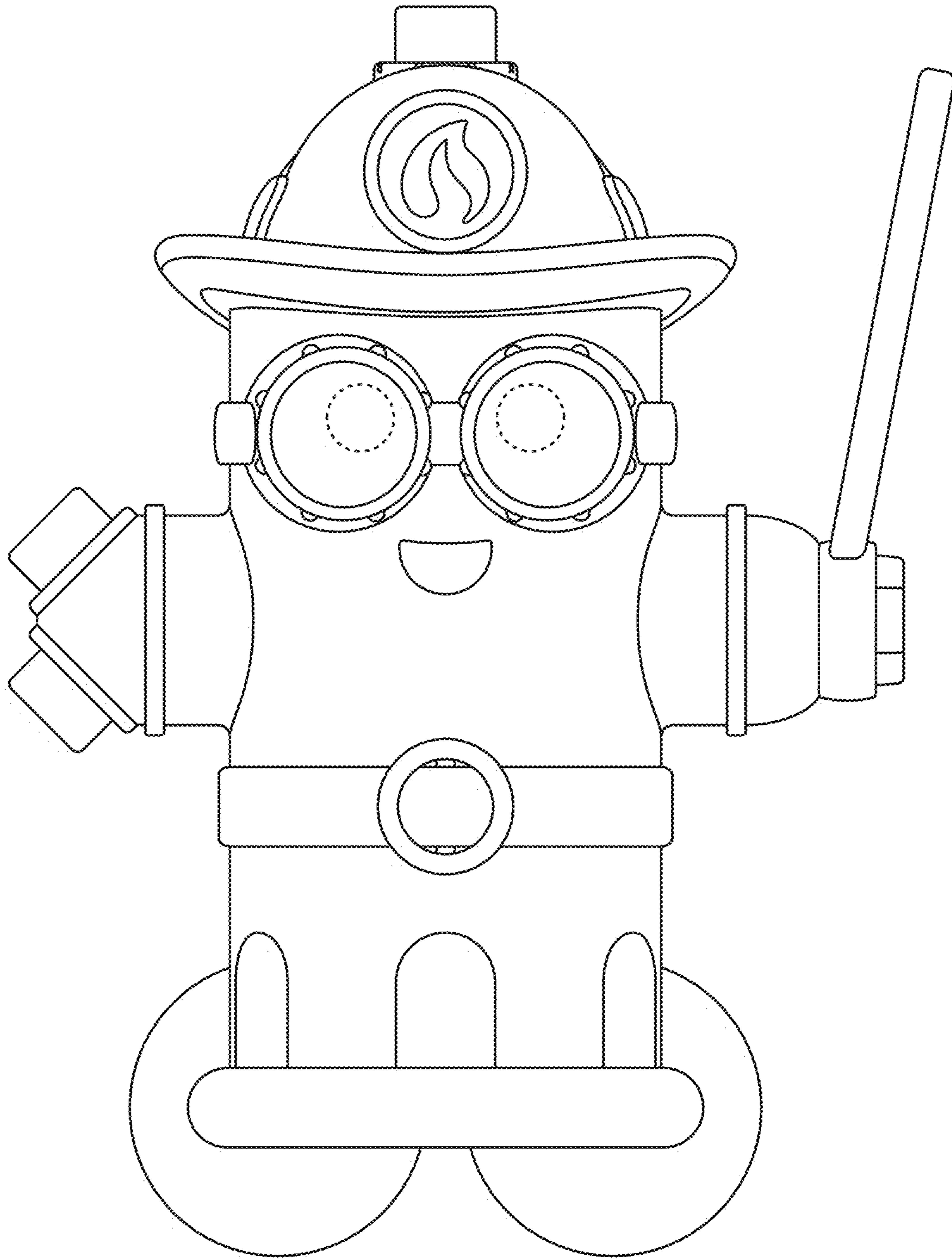


Fig.2

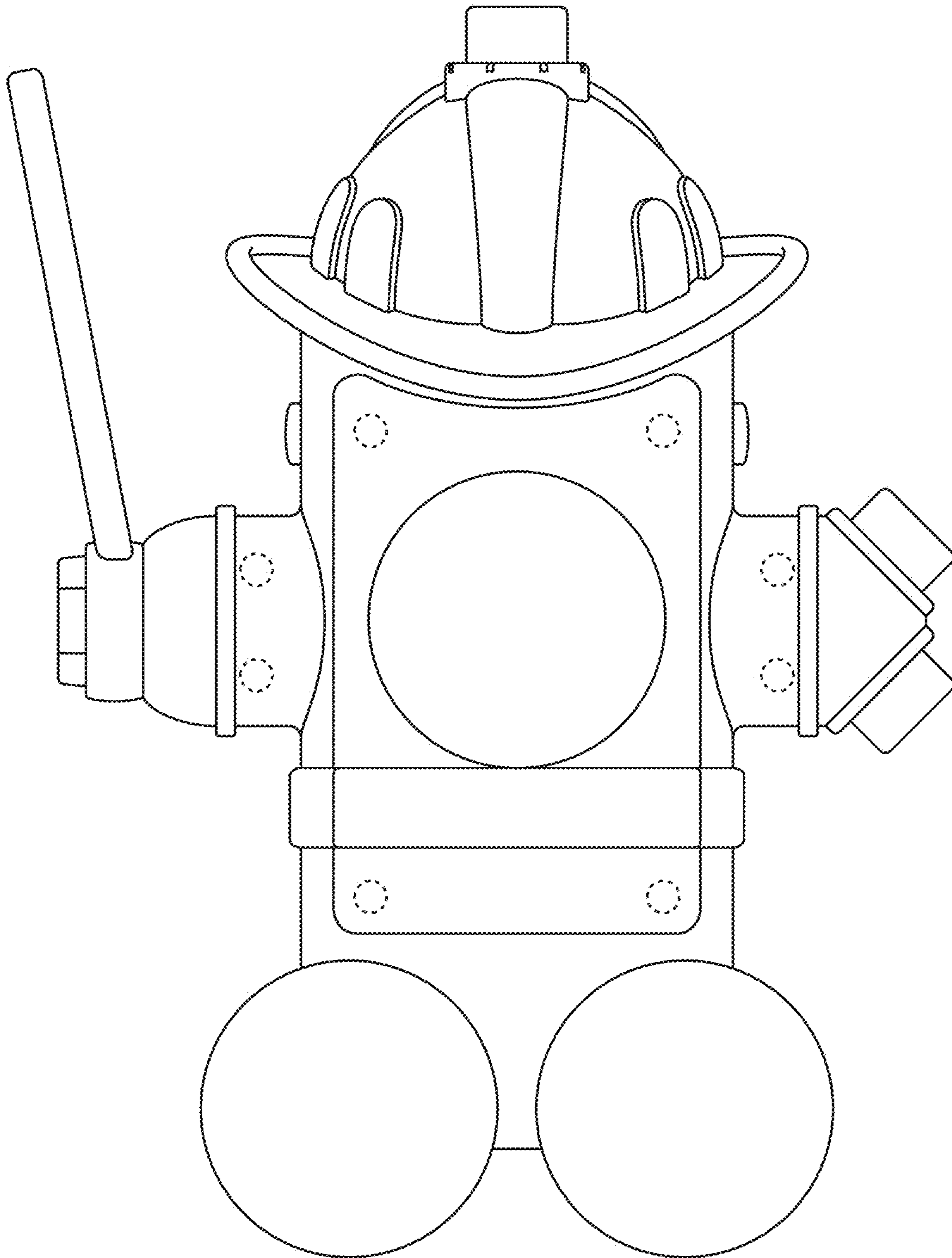


Fig.3

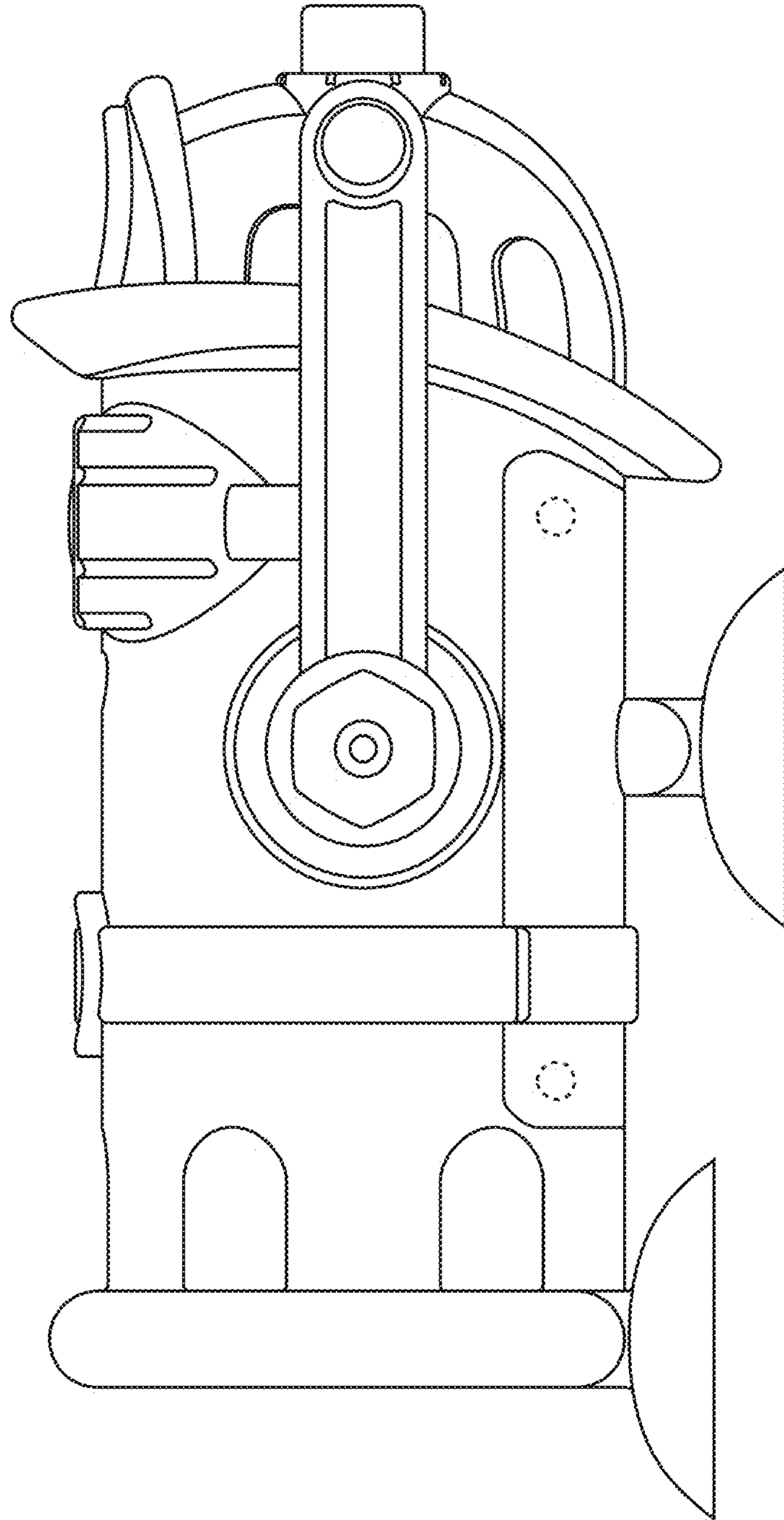


Fig.4

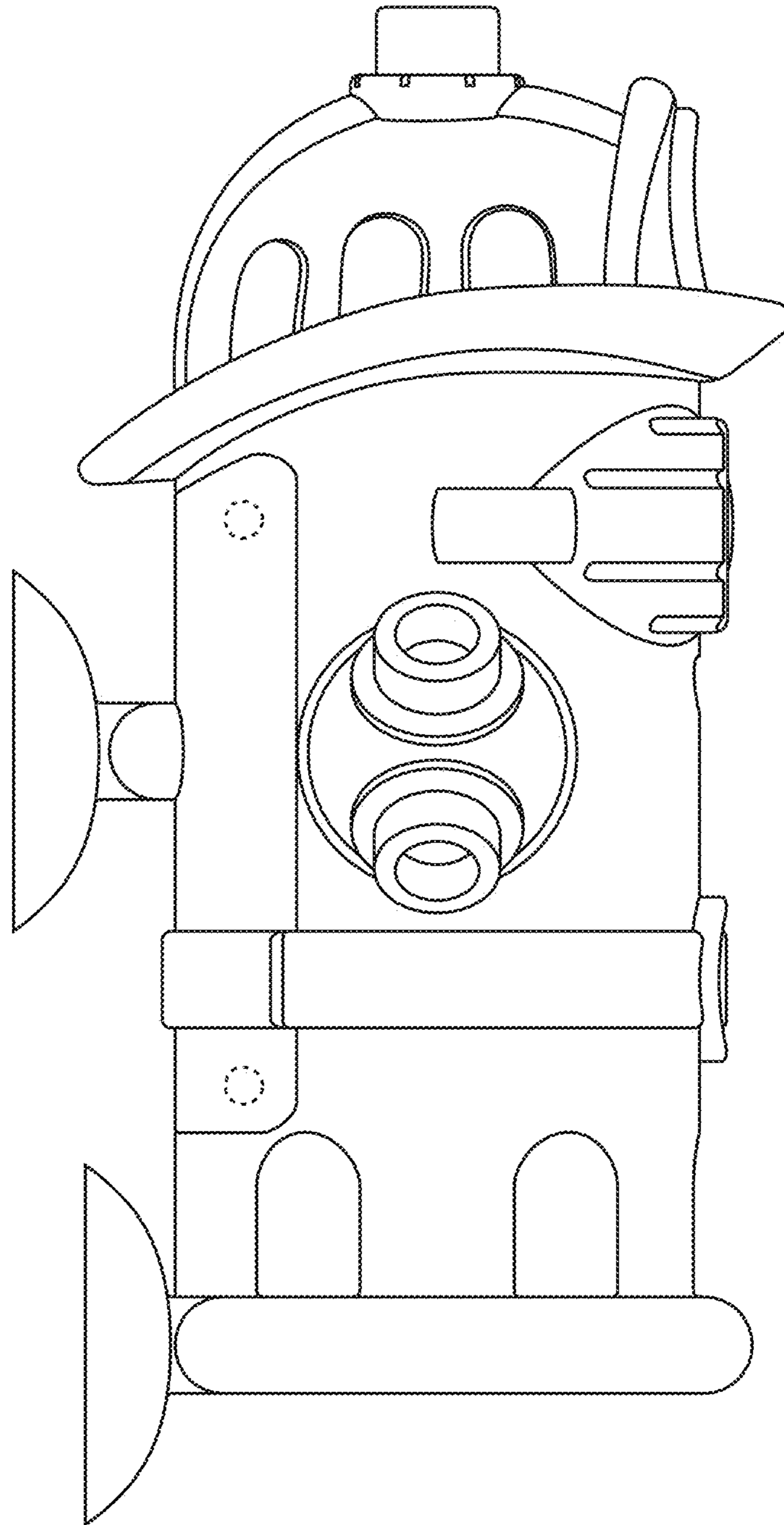


Fig.5

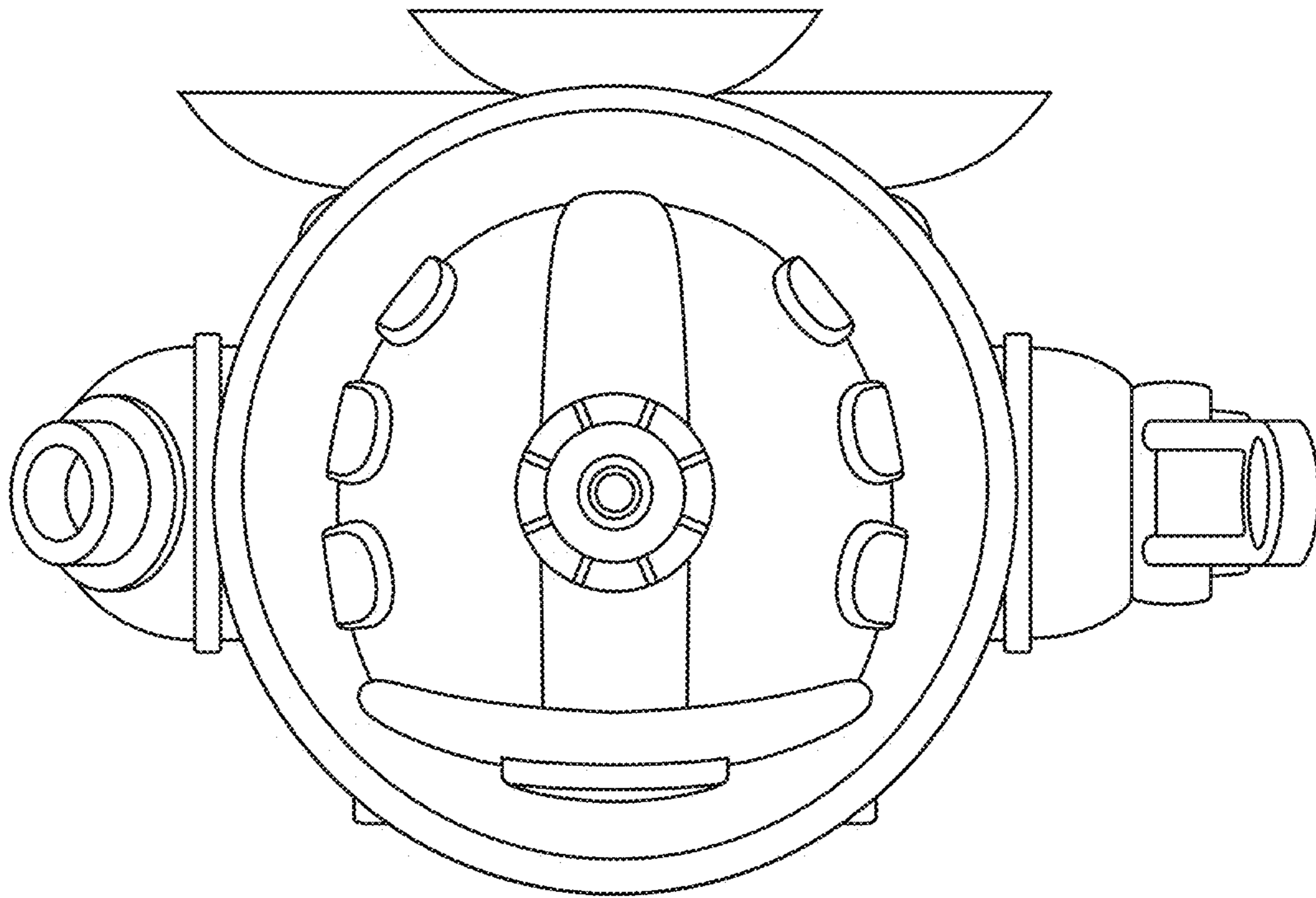


Fig.6

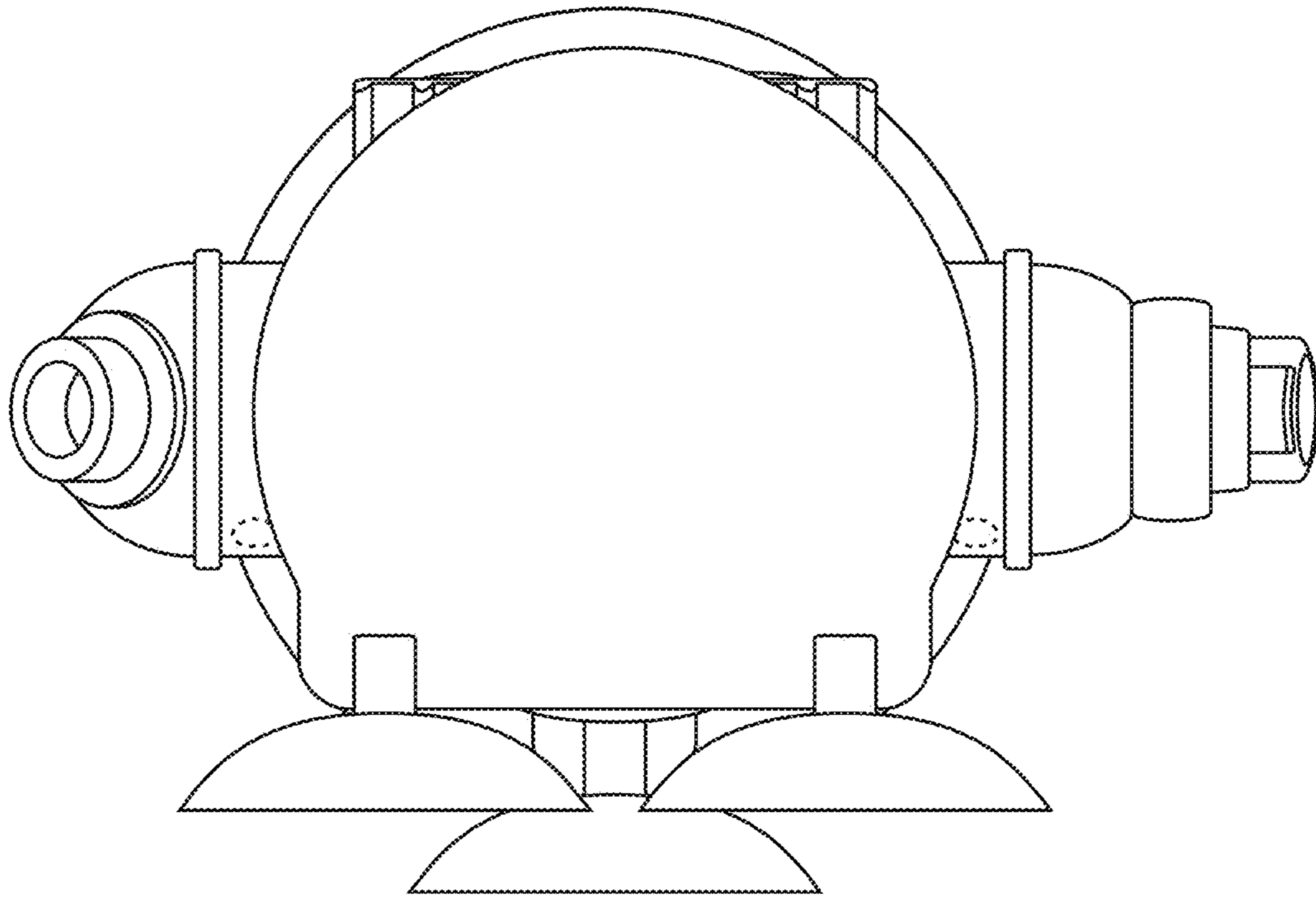


Fig.7