



US00D929501S

(12) **United States Design Patent**
Brown et al.

(10) **Patent No.:** **US D929,501 S**

(45) **Date of Patent:** **** *Aug. 31, 2021**

(54) **GAMING MACHINE BUTTON PANEL**

(71) Applicant: **IGT**, Las Vegas, NV (US)

(72) Inventors: **Bradford Brown**, Sparks, NV (US);
Ronald Papson, Reno, NV (US)

(73) Assignee: **IGT**, Las Vegas, NV (US)

(*) Notice: This patent is subject to a terminal disclaimer.

(**) Term: **15 Years**

(21) Appl. No.: **29/646,875**

(22) Filed: **May 8, 2018**

(51) **LOC (13) Cl.** **21-01**

(52) **U.S. Cl.**
USPC **D21/333**

(58) **Field of Classification Search**
USPC D14/197, 388-401, 454-455; D21/324,
D21/325, 331, 332, 333, 385

(Continued)

(56) **References Cited**

U.S. PATENT DOCUMENTS

D292,423 S * 10/1987 Williams D21/333
D359,518 S * 6/1995 Mathews D14/400

(Continued)

OTHER PUBLICATIONS

Picture of Bonus Poker gaming machine, available prior to May 8, 2018 (1 page).

(Continued)

Primary Examiner — George D. Kirschbaum
Assistant Examiner — Joseph J. Kukella
(74) *Attorney, Agent, or Firm* — Neal, Gerber & Eisenberg LLP

(57) **CLAIM**

The ornamental design for a gaming machine button panel, as shown and described herein.

DESCRIPTION

FIG. 1 is a front perspective view of a gaming machine button panel of one embodiment of our new design.

FIG. 2 is a front view of the gaming machine button panel of FIG. 1.

FIG. 3 is a top view of the gaming machine button panel of FIG. 1.

FIG. 4 is a bottom view of the gaming machine button panel of FIG. 1.

FIG. 5 is a left side view of the gaming machine button panel of FIG. 1.

FIG. 6 is a right side view of the gaming machine button panel of FIG. 1.

FIG. 7 is a front perspective view of a gaming machine button panel of another embodiment of our new design.

FIG. 8 is a front view of the gaming machine button panel of FIG. 7.

FIG. 9 is a top view of the gaming machine button panel of FIG. 7.

FIG. 10 is a bottom view of the gaming machine button panel of FIG. 7.

FIG. 11 is a left side view of the gaming machine button panel of FIG. 7.

FIG. 12 is a right side view of the gaming machine button panel of FIG. 7.

FIG. 13 is a front perspective view of a gaming machine button panel of another embodiment of our new design.

FIG. 14 is a front view of the gaming machine button panel of FIG. 13.

FIG. 15 is a top view of the gaming machine button panel of FIG. 13.

FIG. 16 is a bottom view of the gaming machine button panel of FIG. 13.

FIG. 17 is a left side view of the gaming machine button panel of FIG. 13.

FIG. 18 is a right side view of the gaming machine button panel of FIG. 13.

FIG. 19 is a front perspective view of a gaming machine button panel of another embodiment of our new design.

(Continued)

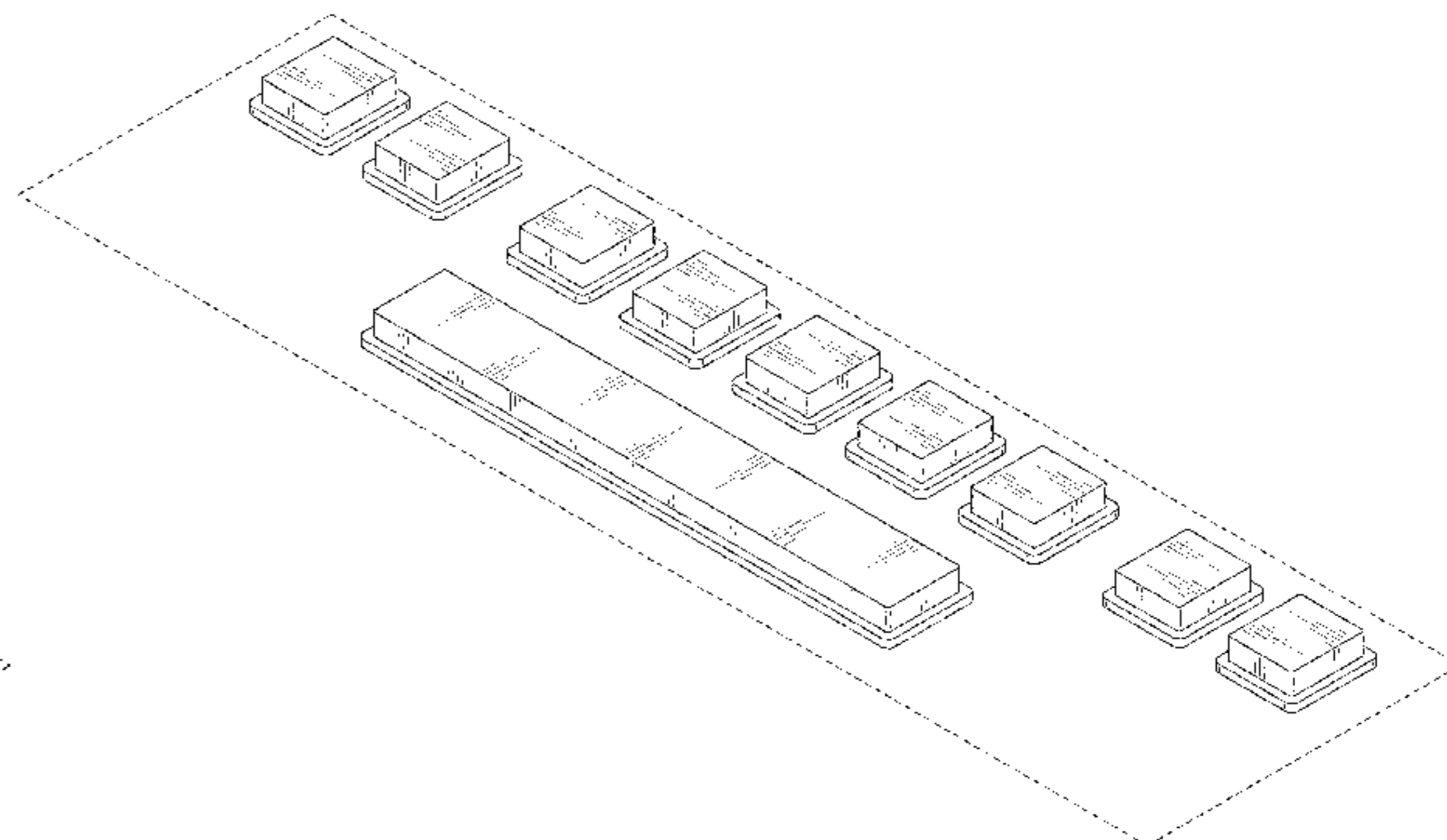
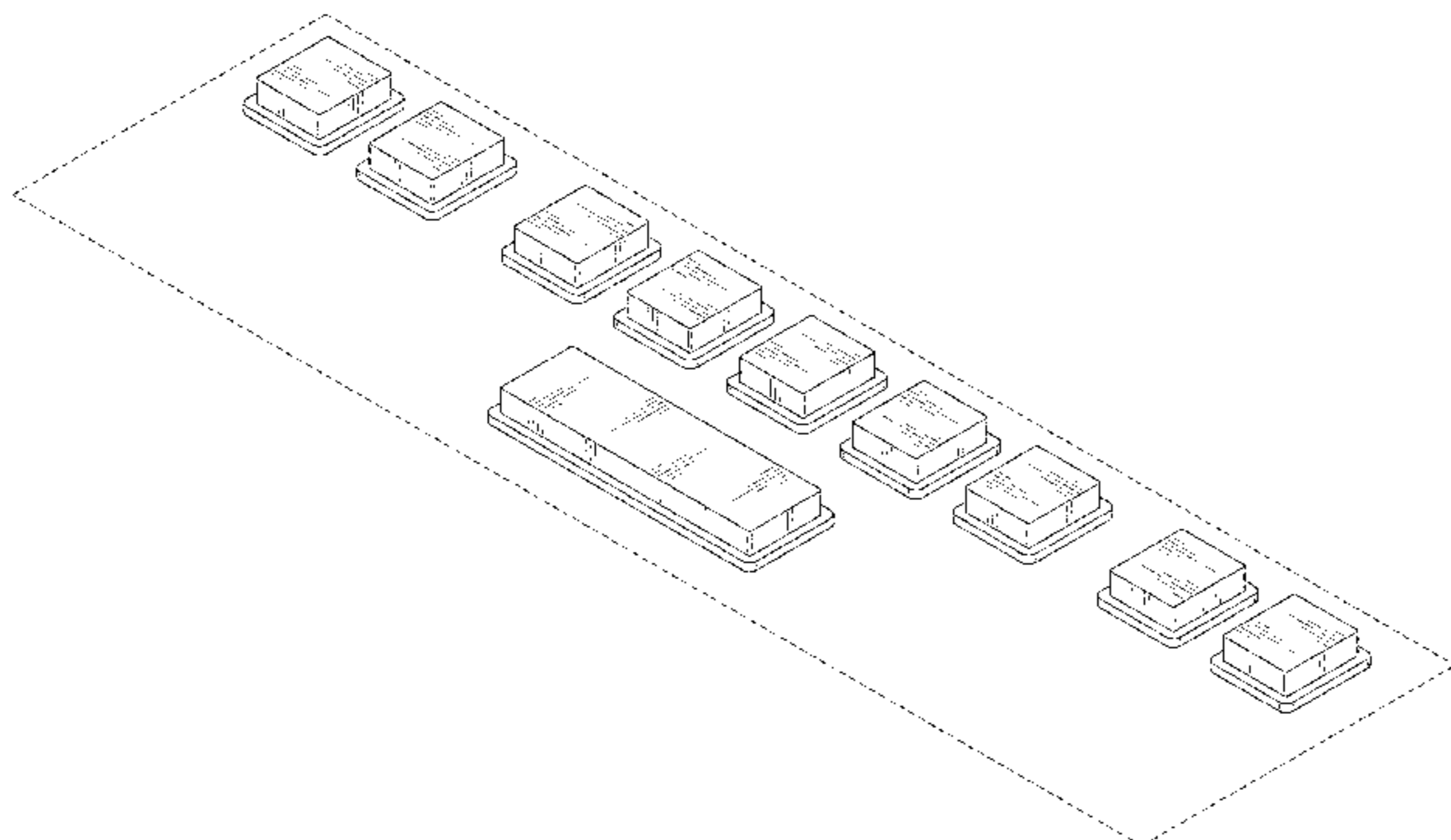


FIG. 20 is a front view of the gaming machine button panel of FIG. 19.

FIG. 21 is a top view of the gaming machine button panel of FIG. 19.

FIG. 22 is a bottom view of the gaming machine button panel of FIG. 19.

FIG. 23 is a left side view of the gaming machine button panel of FIG. 19; and,

FIG. 24 is a right side view of the gaming machine button panel of FIG. 19.

In the drawings, the broken lines depict portions of the article that form no part of the claimed design.

1 Claim, 16 Drawing Sheets

(58) **Field of Classification Search**

CPC A63F 13/20
See application file for complete search history.

(56) **References Cited**

U.S. PATENT DOCUMENTS

D406,865 S * 3/1999 Heidel D21/370
D416,328 S * 11/1999 Anthony D24/212
D428,062 S * 7/2000 Hayashi D21/325
D439,931 S * 4/2001 Yamaguchi D21/325
D446,252 S * 8/2001 Yamaguchi D21/325
D450,094 S 11/2001 Hedrick et al.
D450,310 S 11/2001 Hedrick et al.
D451,148 S 11/2001 Hedrick et al.
D451,153 S 11/2001 Hedrick et al.
D463,504 S * 9/2002 Stephan D21/369
D468,364 S * 1/2003 Beadell D21/369
6,604,740 B1 8/2003 Singer et al.
6,638,166 B2 10/2003 Hedrick et al.
6,688,984 B2 2/2004 Cole
6,715,756 B2 * 4/2004 Inoue G07F 17/3213
273/138.1
D508,961 S * 8/2005 Gatto D21/325
7,184,277 B2 * 2/2007 Beirne A63F 13/08
361/807

7,217,191 B2 * 5/2007 Cordell G07F 17/32
273/138.1
D557,749 S * 12/2007 Sakai D14/400
7,331,868 B2 2/2008 Beaulieu et al.
7,396,282 B2 7/2008 Gauselmann
D615,595 S * 5/2010 Williamson G07F 17/3202
D21/328
D627,008 S * 11/2010 Bruzzese D21/385
D627,829 S * 11/2010 Williamson D21/328
D636,744 S * 4/2011 Yoshida D14/125
8,096,884 B2 1/2012 Beadell et al.
8,147,340 B2 4/2012 Brunet de Courssou et al.
8,262,480 B2 9/2012 Cohen et al.
8,360,892 B2 1/2013 Waxman et al.
8,366,555 B2 2/2013 McGahn et al.
D696,729 S * 12/2013 Hill D21/385
8,870,663 B2 10/2014 Cole
9,126,113 B2 9/2015 Johnson et al.
9,147,321 B2 9/2015 Moody
9,349,257 B2 5/2016 Moody et al.
9,865,123 B2 1/2018 Wells et al.
D872,189 S * 1/2020 Bernard D21/369
D892,794 S * 8/2020 Koo D14/374
2003/0220135 A1 * 11/2003 Gauselmann G07F 17/3202
463/25
2006/0079316 A1 * 4/2006 Flemming G07F 17/32
463/25
2008/0113707 A1 5/2008 Nesemeier et al.
2013/0084949 A1 4/2013 Frady

OTHER PUBLICATIONS

Picture of Double Double Bonus Poker gaming machine, available prior to May 8, 2018 (1 page).
Picture of Four of a Kind Bonus Poker gaming machine, available prior to May 8, 2018 (1 page).
Picture of Game King gaming machine, available prior to May 8, 2018 (1 page).
Picture of Multi Poker gaming machine, available prior to May 8, 2018 (1 page).
Picture of Pick-a-Pair Poker gaming machine, available prior to May 8, 2018 (1 page).
Picture of Players Edge Draw Poker gaming machine, available prior to May 8, 2018 (1 page).

* cited by examiner

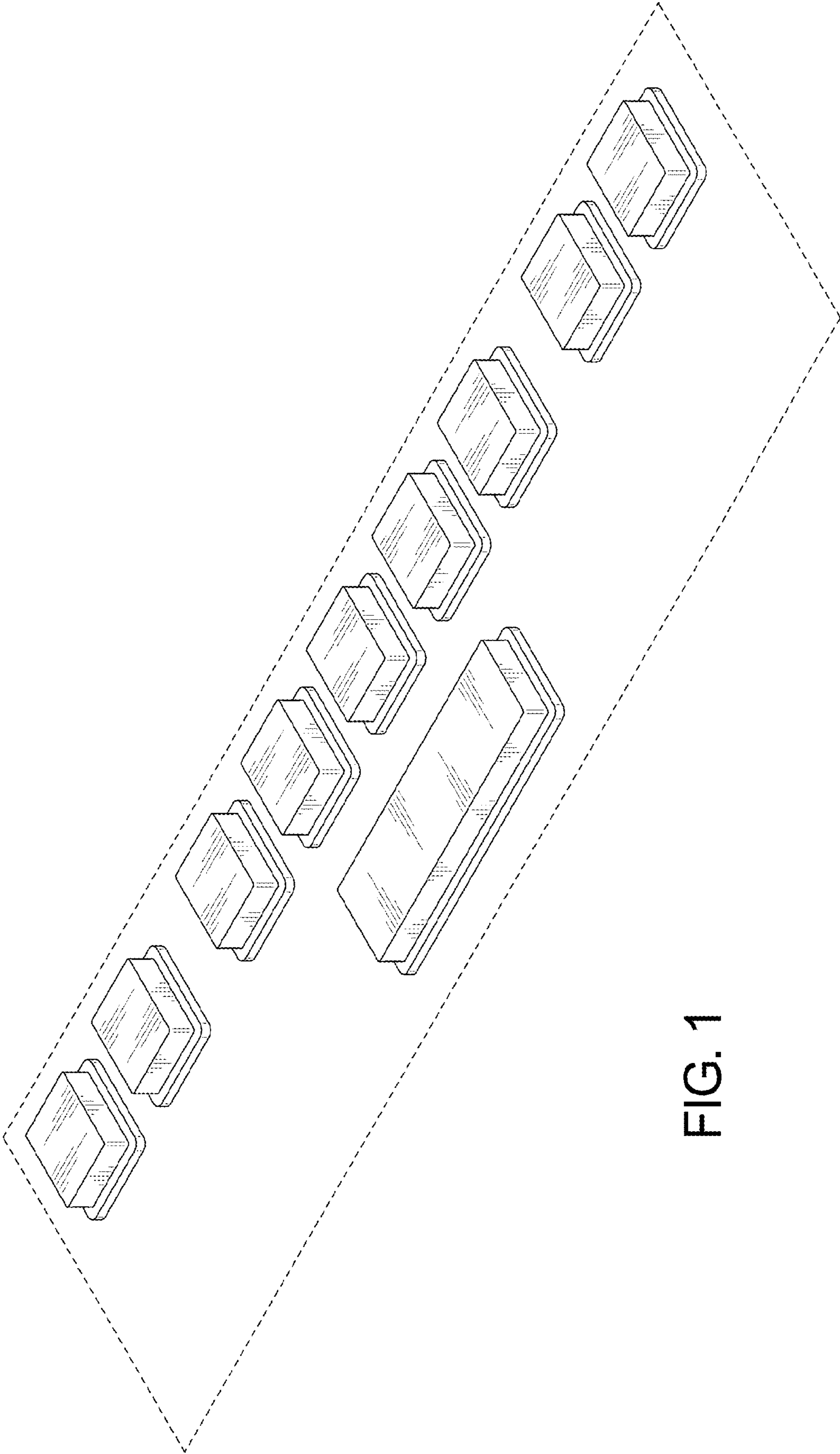


FIG. 1

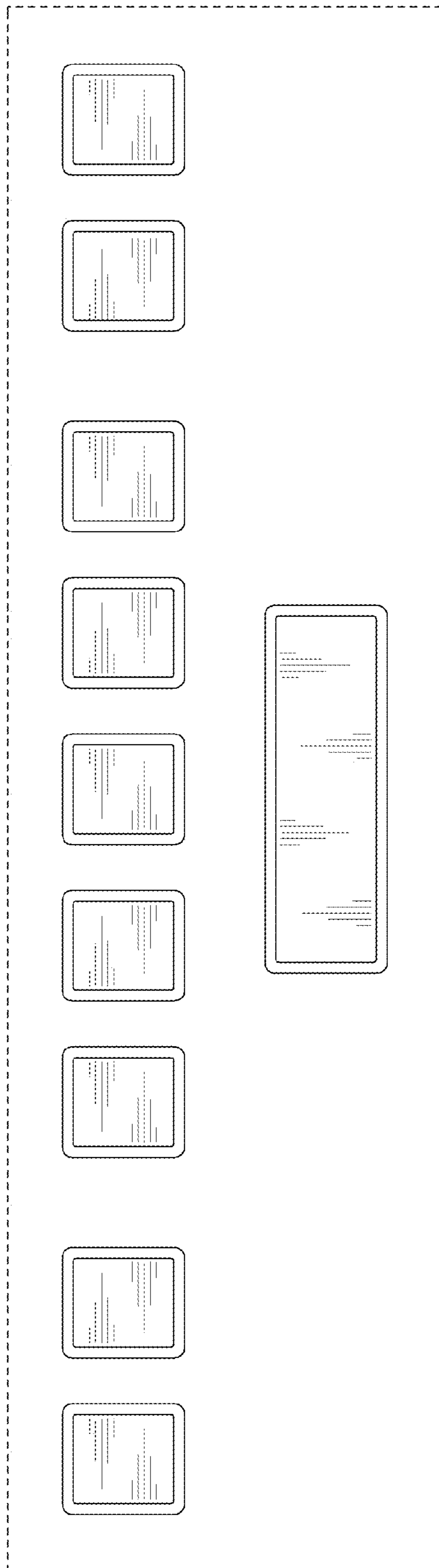


FIG. 2



FIG. 3

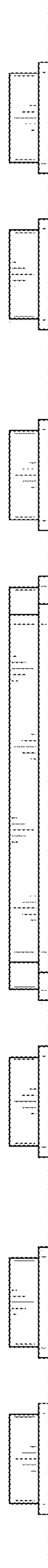


FIG. 4



FIG. 6



FIG. 5

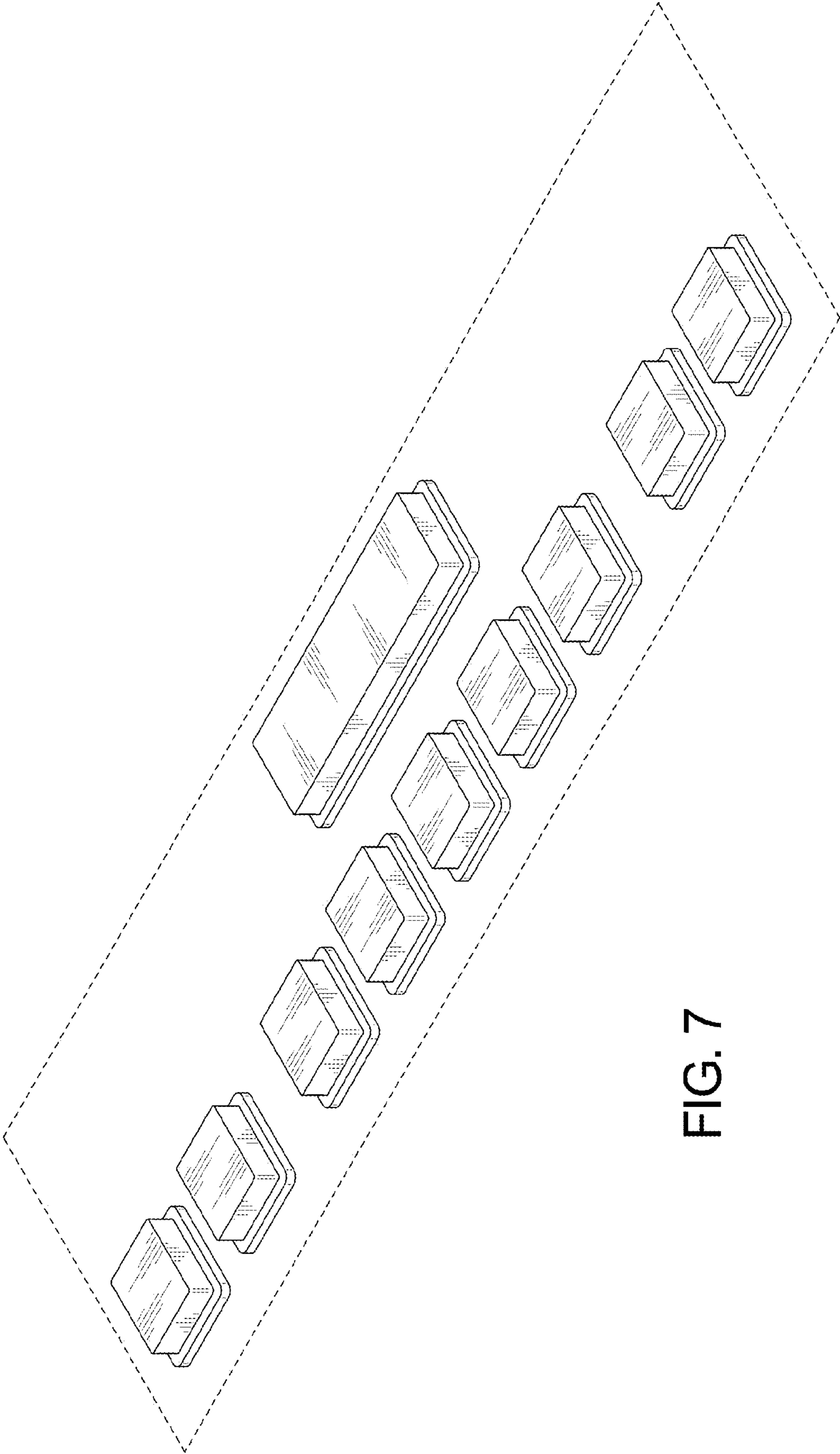


FIG. 7

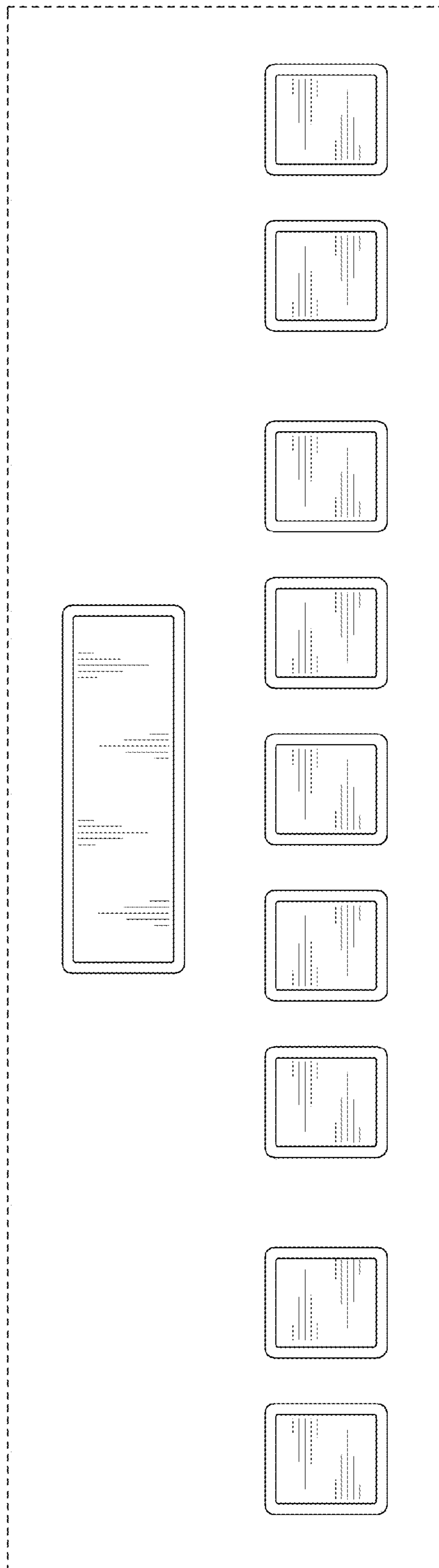


FIG. 8



FIG. 9



FIG. 10

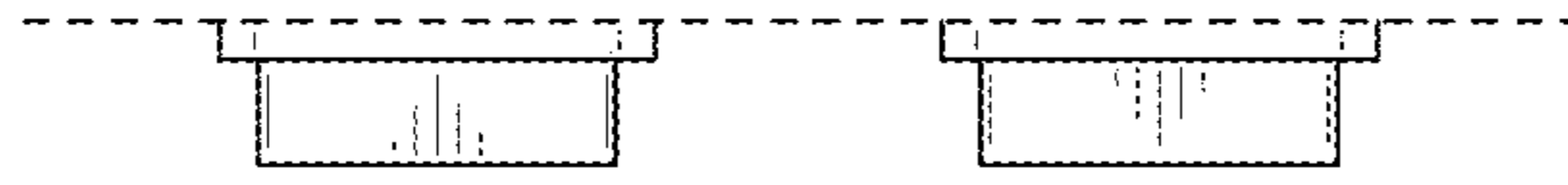


FIG. 12



FIG. 11

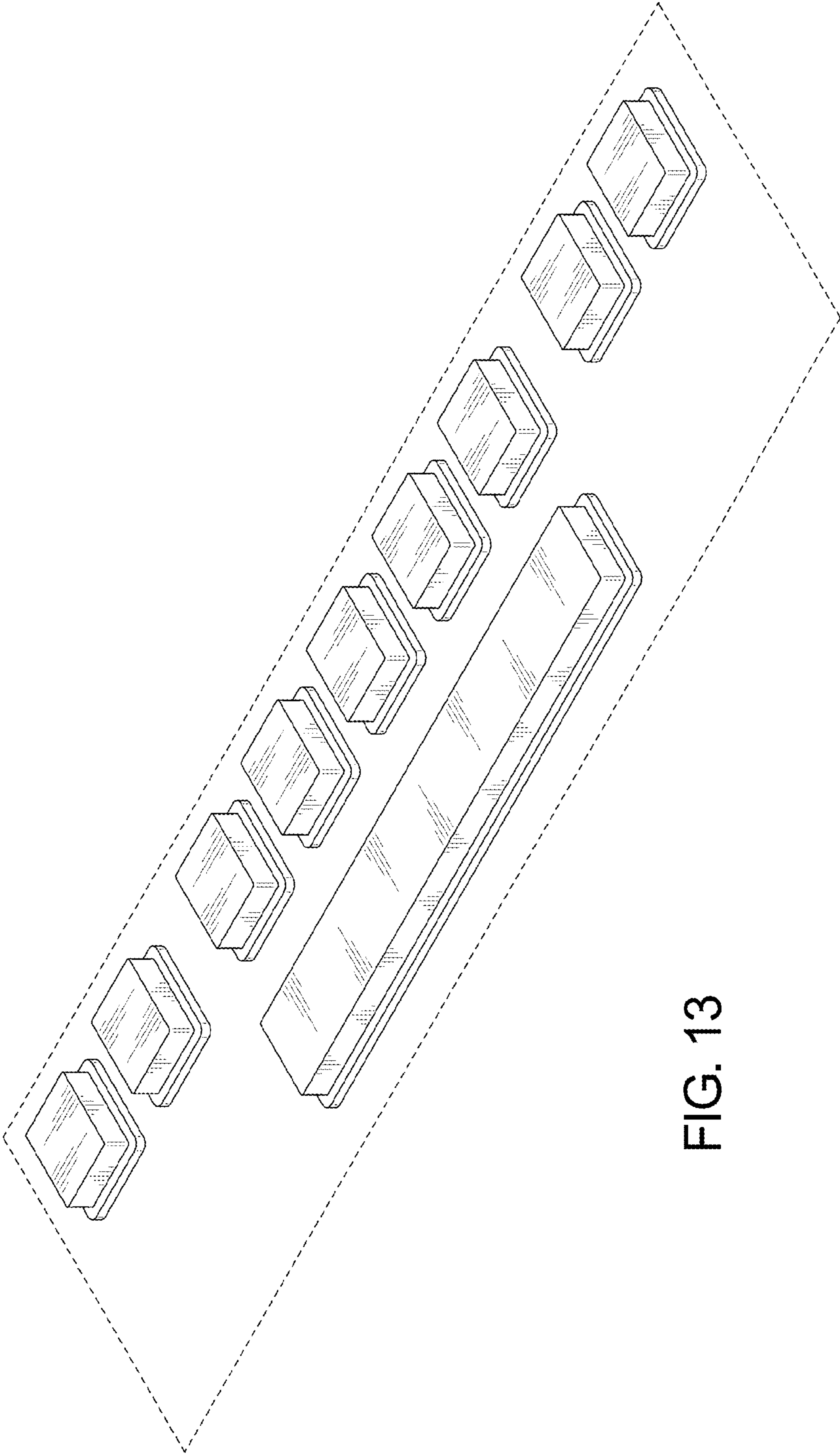


FIG. 13

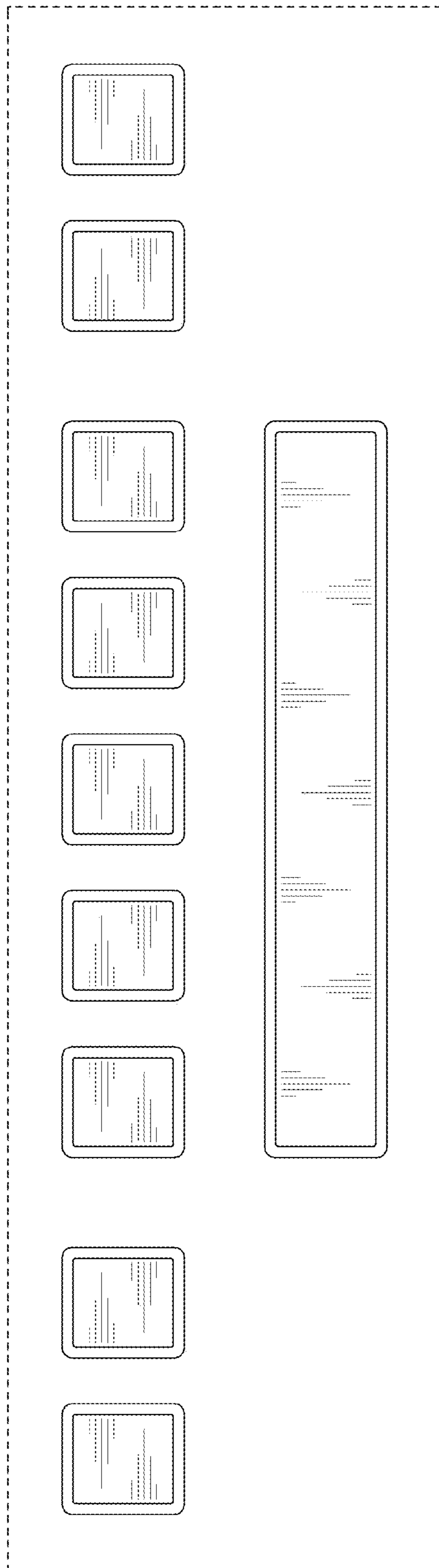


FIG. 14



FIG. 15

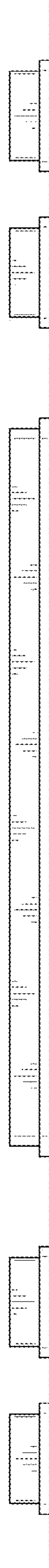


FIG. 16

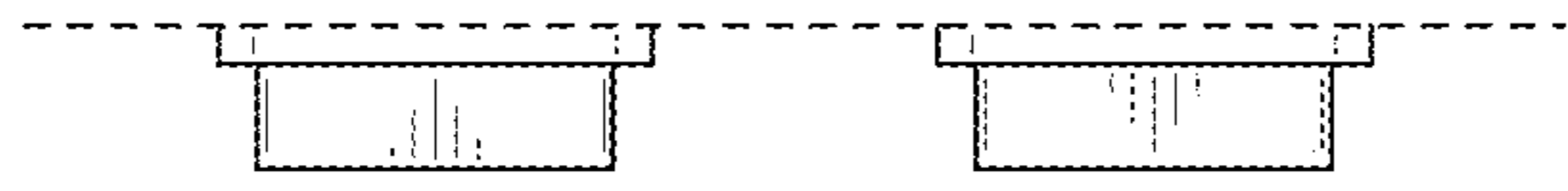


FIG. 18

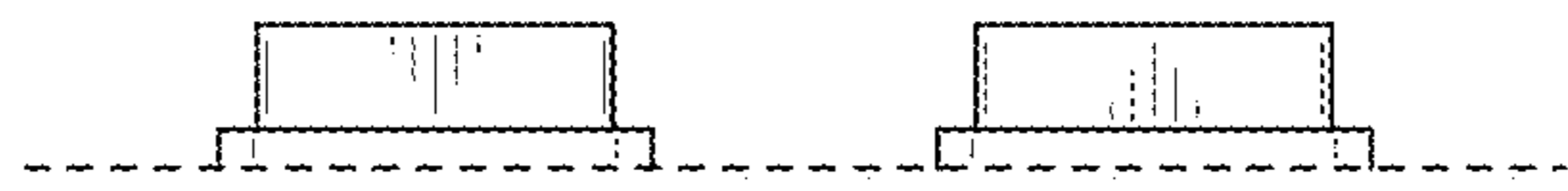


FIG. 17

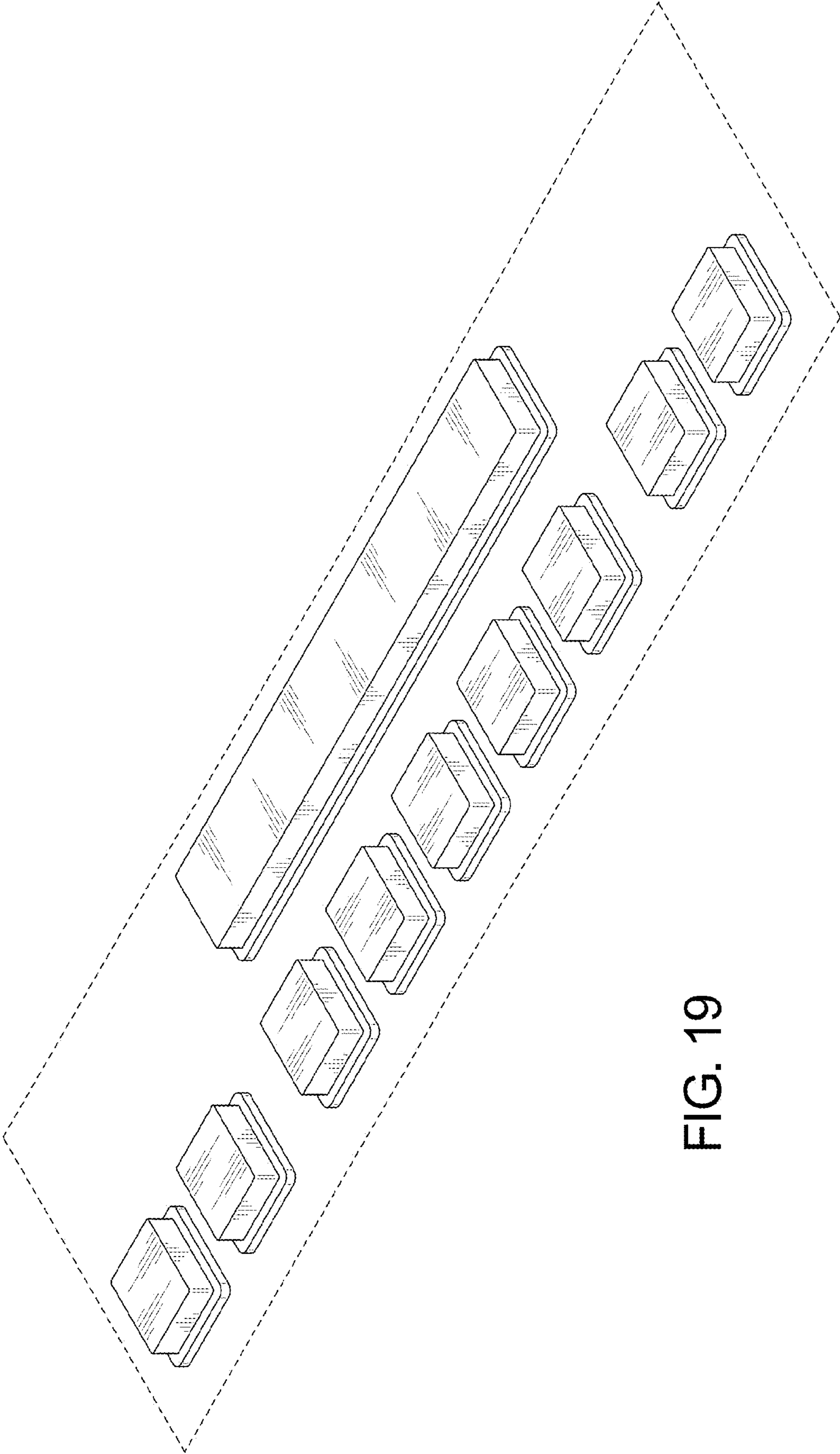


FIG. 19

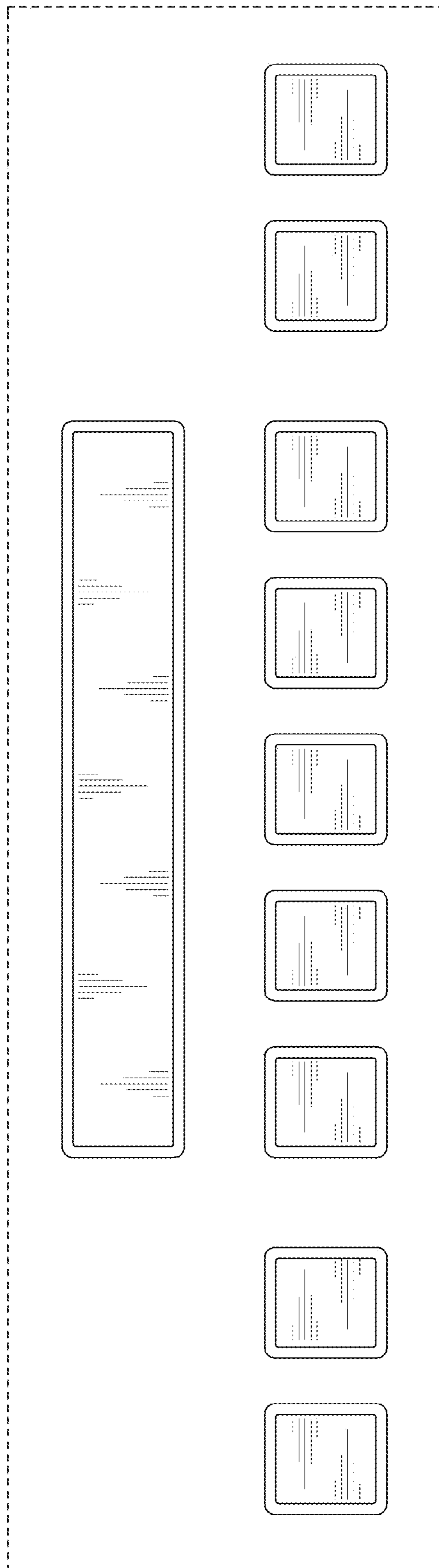


FIG. 20

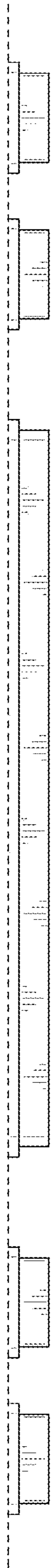


FIG. 21



FIG. 22

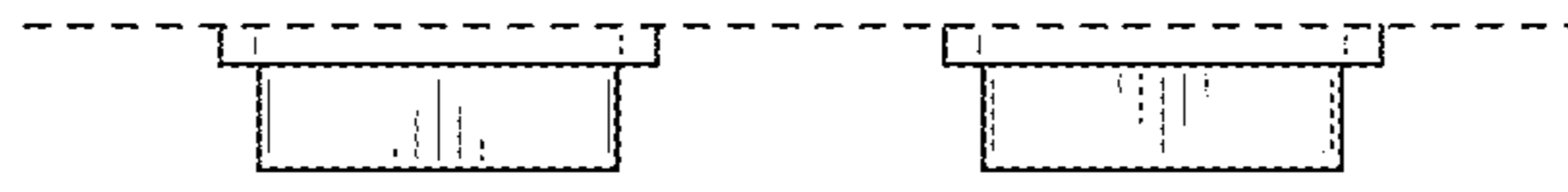


FIG. 24

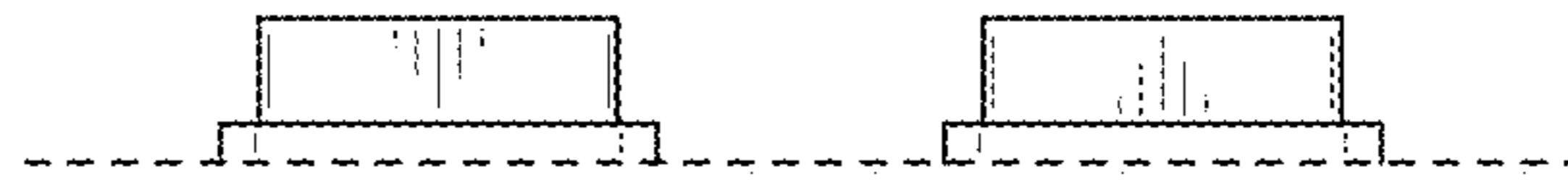


FIG. 23