



US00D929497S

(12) **United States Design Patent**
Harrilal et al.

(10) **Patent No.:** **US D929,497 S**

(45) **Date of Patent:** **** Aug. 31, 2021**

(54) **MAILER**

B42D 2033/22; B42D 2033/28; G09F 3/02; G09F 2003/0201

(71) Applicant: **Zebra Paper Converters Inc.**,
Mississauga (CA)

See application file for complete search history.

(72) Inventors: **Rana Harrilal**, Mississauga (CA);
David Rosen, Mississauga (CA)

(56) **References Cited**

(73) Assignee: **ZEBRA PAPER CONVERTERS INC.**, Mississauga (CA)

U.S. PATENT DOCUMENTS

(**) Term: **15 Years**

D250,258 S *	11/1978	Lookatch	D12/417
D452,267 S *	12/2001	Makofsky	D19/3
D576,206 S *	9/2008	Johnson	D19/3
D577,765 S *	9/2008	Taute	D19/3
D587,308 S *	2/2009	Speer	D19/3
D661,349 S *	6/2012	Picard	D19/3
D898,583 S *	10/2020	Beardsall	D9/702
D906,417 S *	12/2020	Del Vecchio	D19/3

(21) Appl. No.: **29/712,684**

* cited by examiner

(22) Filed: **Nov. 11, 2019**

(51) **LOC (13) Cl.** **19-01**

Primary Examiner — Abraham Bahta

(52) **U.S. Cl.**
USPC **D19/3**

(74) *Attorney, Agent, or Firm* — Polsinelli PC

(58) **Field of Classification Search**
USPC D19/1-12, 20-34, 100;

(57) **CLAIM**

We claim the ornamental design for a mailer, as shown and described.

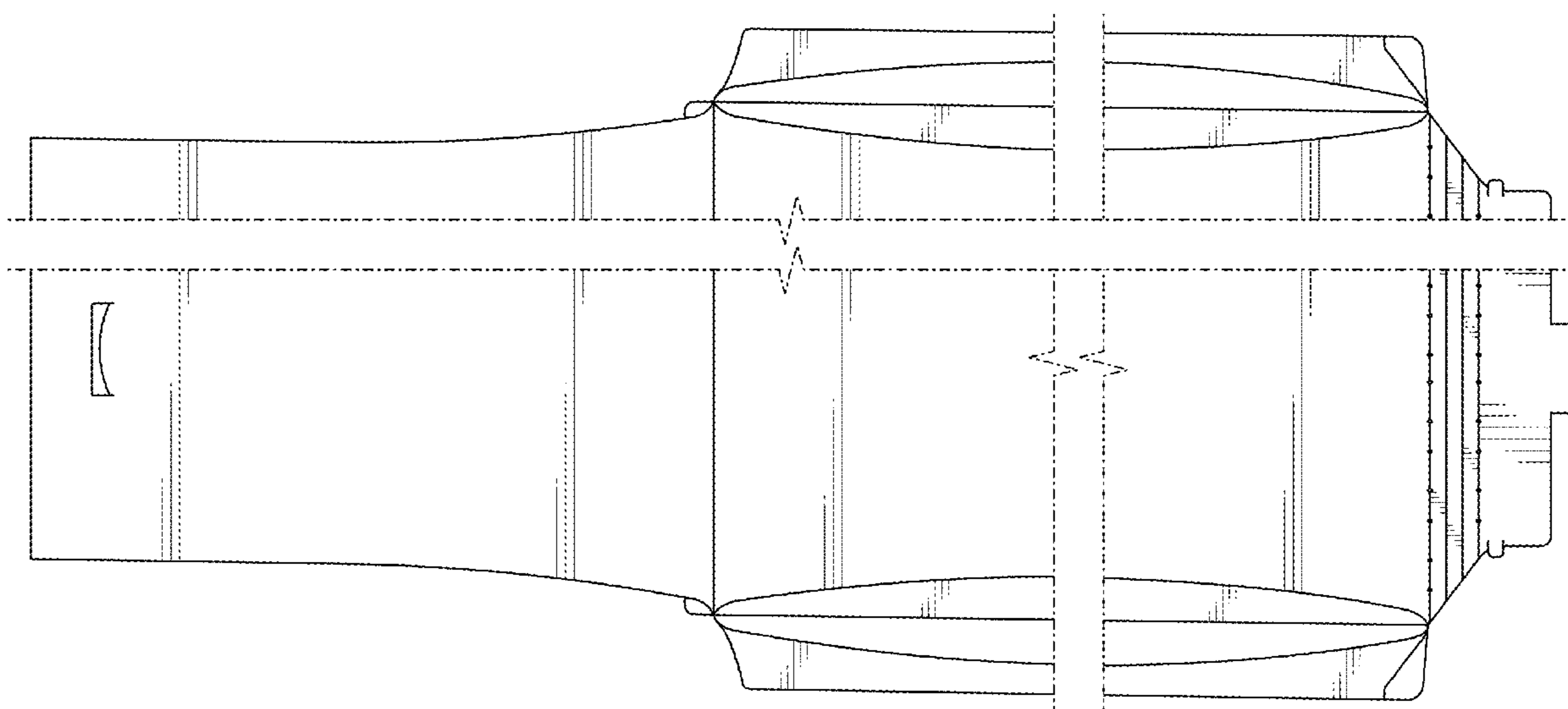
40/124.01-124.15, 672, 661, 726, 776,
40/617; 283/72, 74-75, 103, 105-117,
283/82, 70, 94, 81, 907; 206/449;
D21/385; D20/10, 22, 27, 40, 42, 11;
D14/435-437; 235/380, 382, 487, 493,
235/488; D6/613, 583; 360/2; 702/158,
702/86, 97, 163, 166, 170

DESCRIPTION

CPC B42D 15/00; B42D 15/022; B42D 15/027;
B42D 15/042; B42D 15/045; B42D
25/00; B42D 25/20; B42D 25/30; B42D
25/23; B42D 25/26; B42D 25/29; B42D
25/285; B42D 2033/00; B42D 2033/02;
B42D 2033/04; B42D 2033/08; B42D
2033/10; B42D 2033/18; B42D 2033/20;

FIG. 1 is a front view of a mailer in an unfolded configuration, showing our new design;
FIG. 2 is a front view of FIG. 1 in an open configuration;
FIG. 3 is a front perspective view of FIG. 2;
FIG. 4 is a rear perspective side view of FIG. 2;
FIG. 5 is a front view of FIG. 1 in a closed configuration;
FIG. 6 is a front perspective view of FIG. 5; and,
FIG. 7 is a rear perspective view of FIG. 5.
The break with zig-zag shown in dash-dot-dash line shows the mailer has no specific width and length.

1 Claim, 5 Drawing Sheets



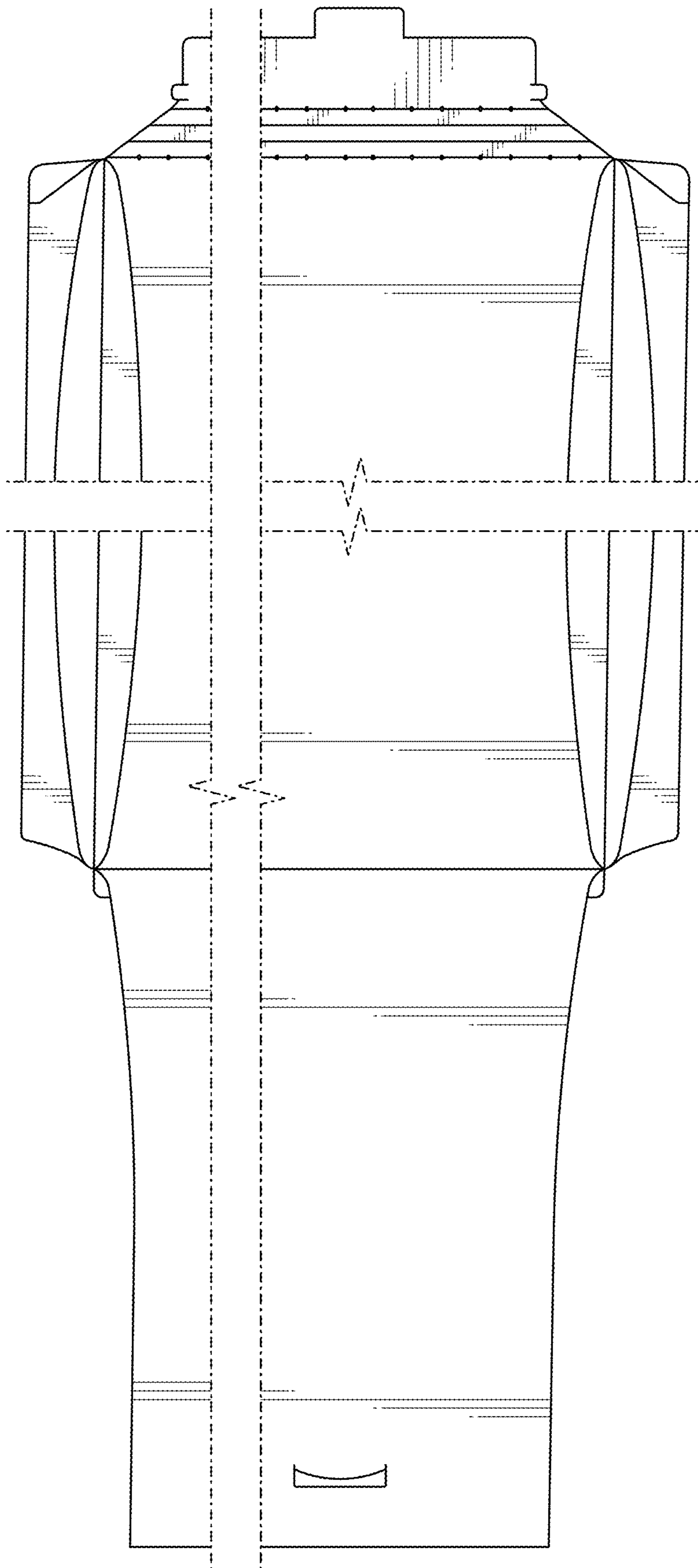


FIG. 1

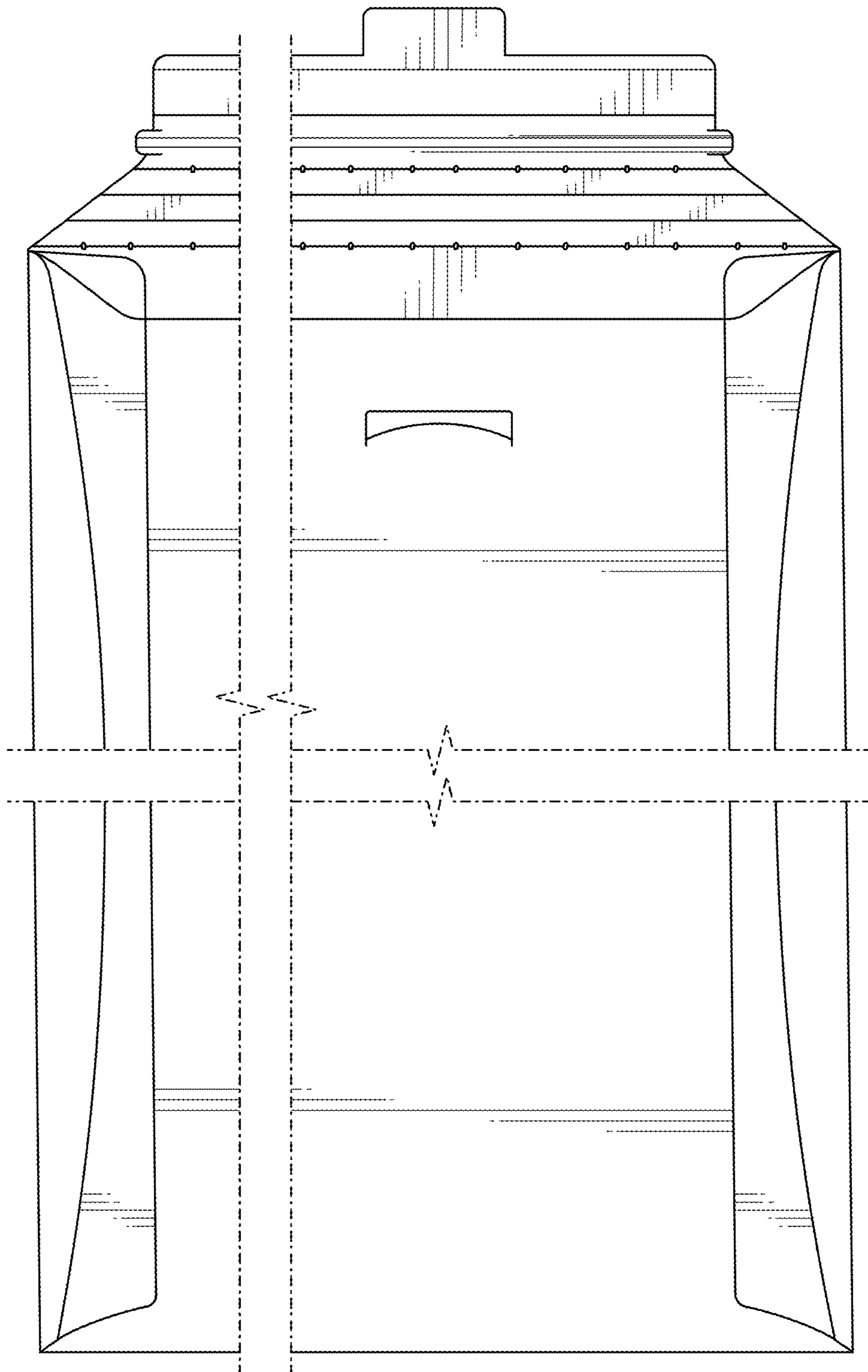


FIG. 2

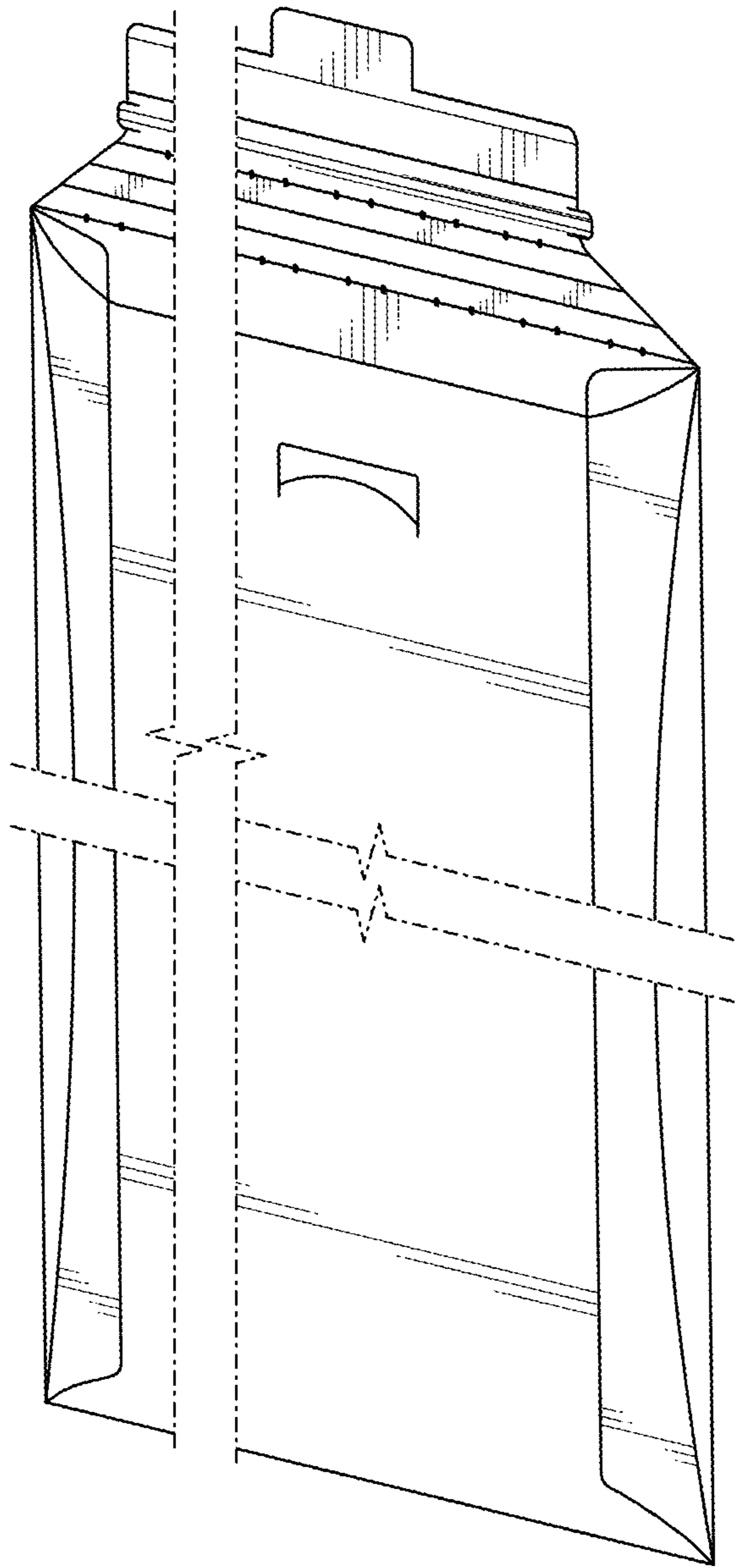


FIG. 3

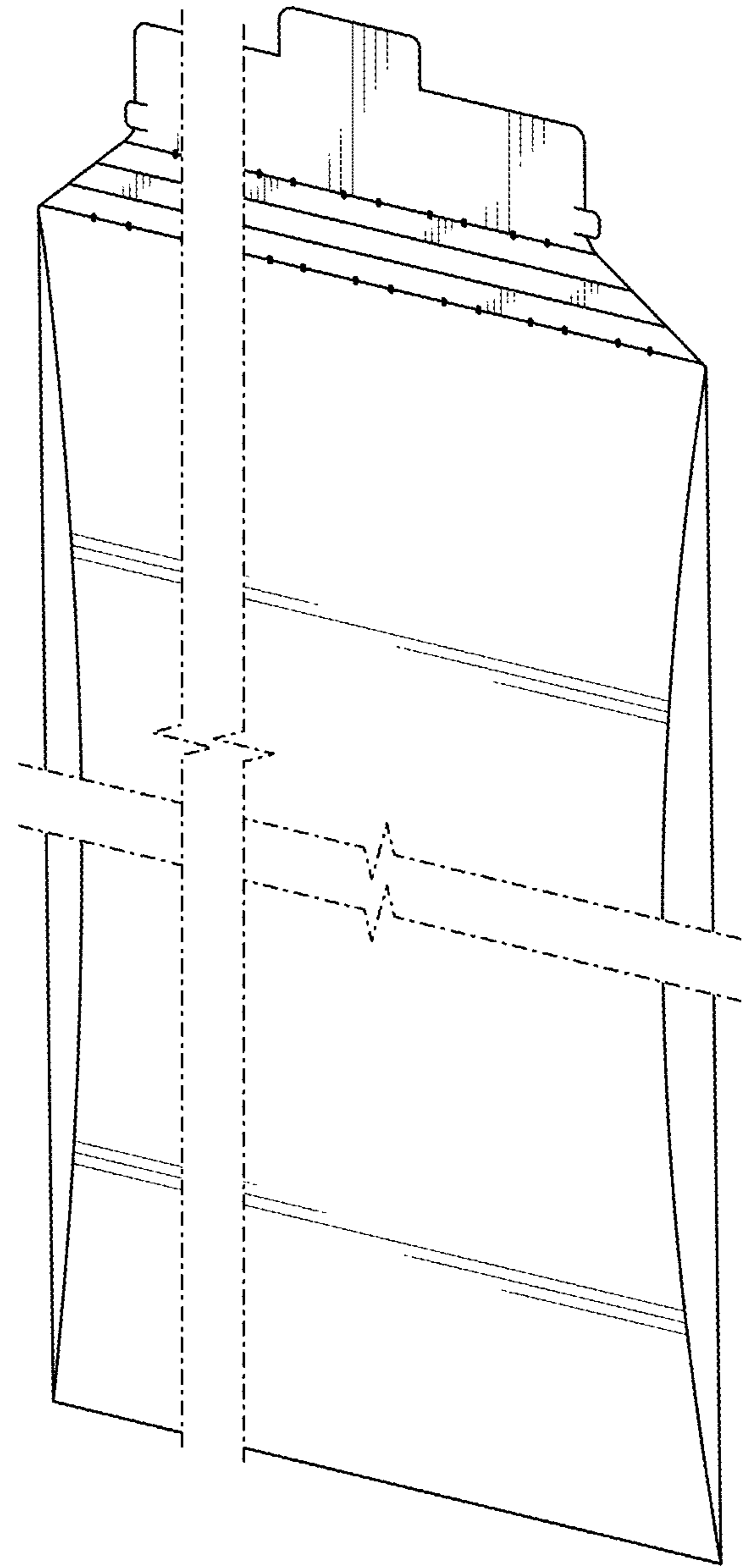


FIG. 4

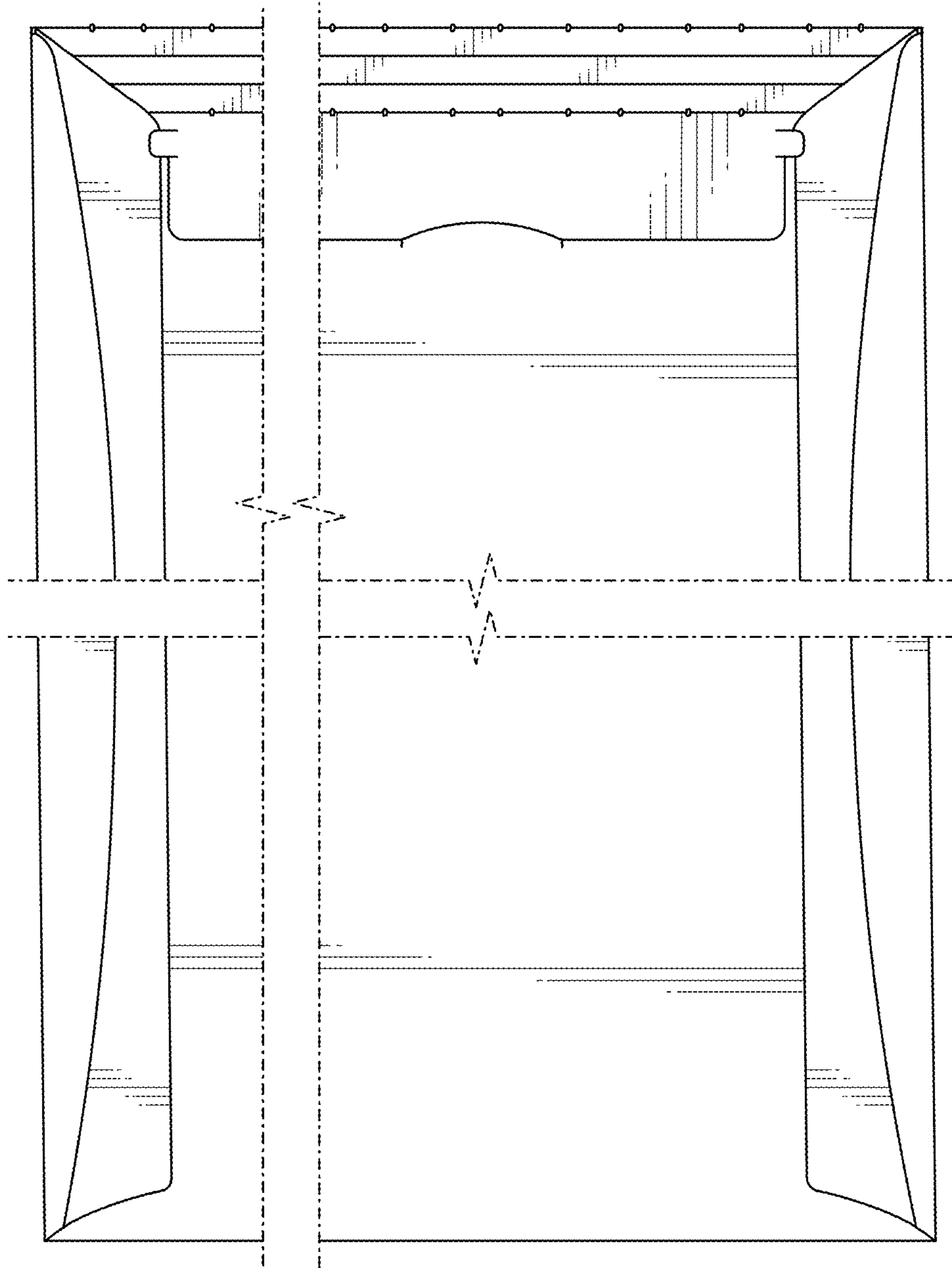


FIG. 5

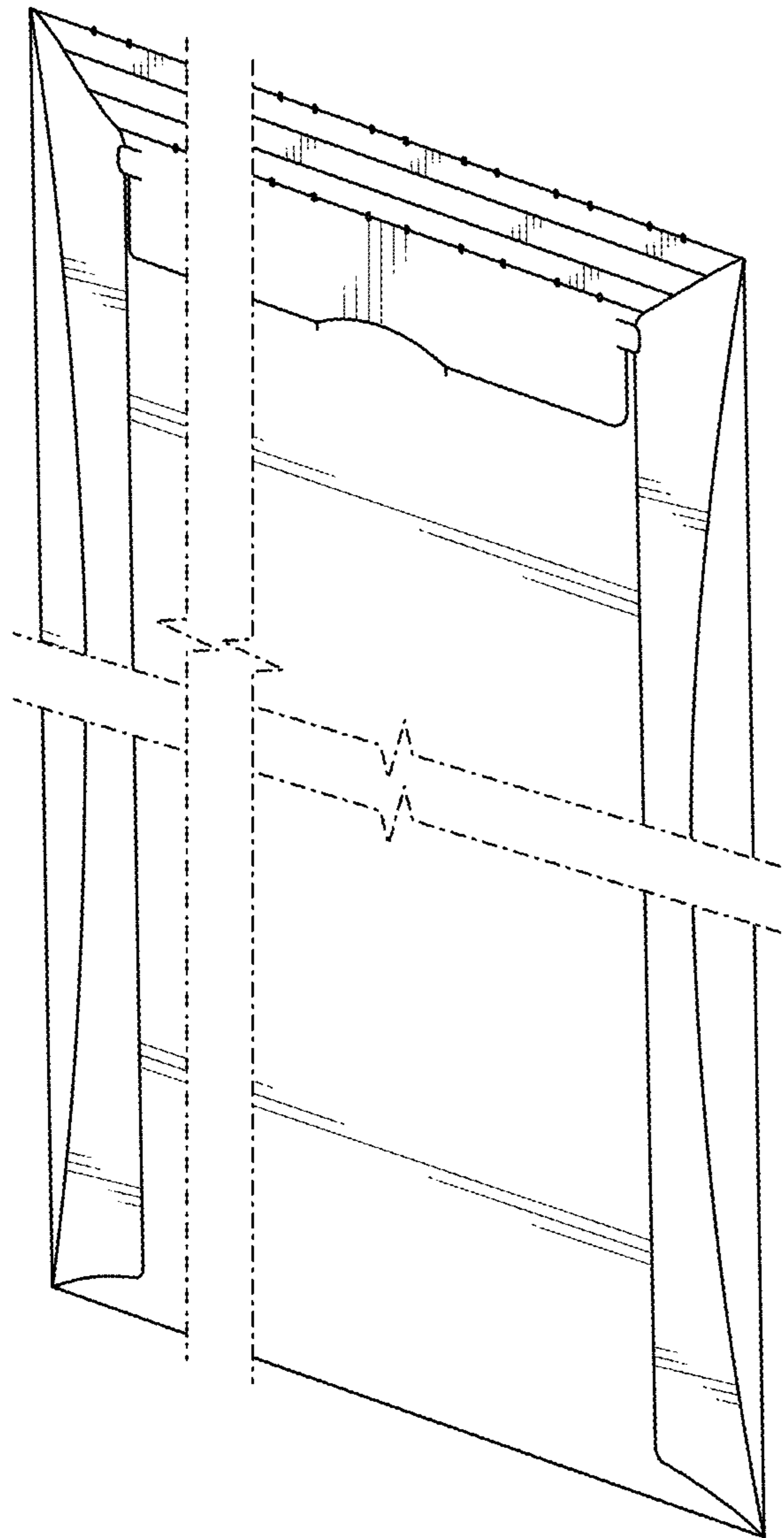


FIG. 6

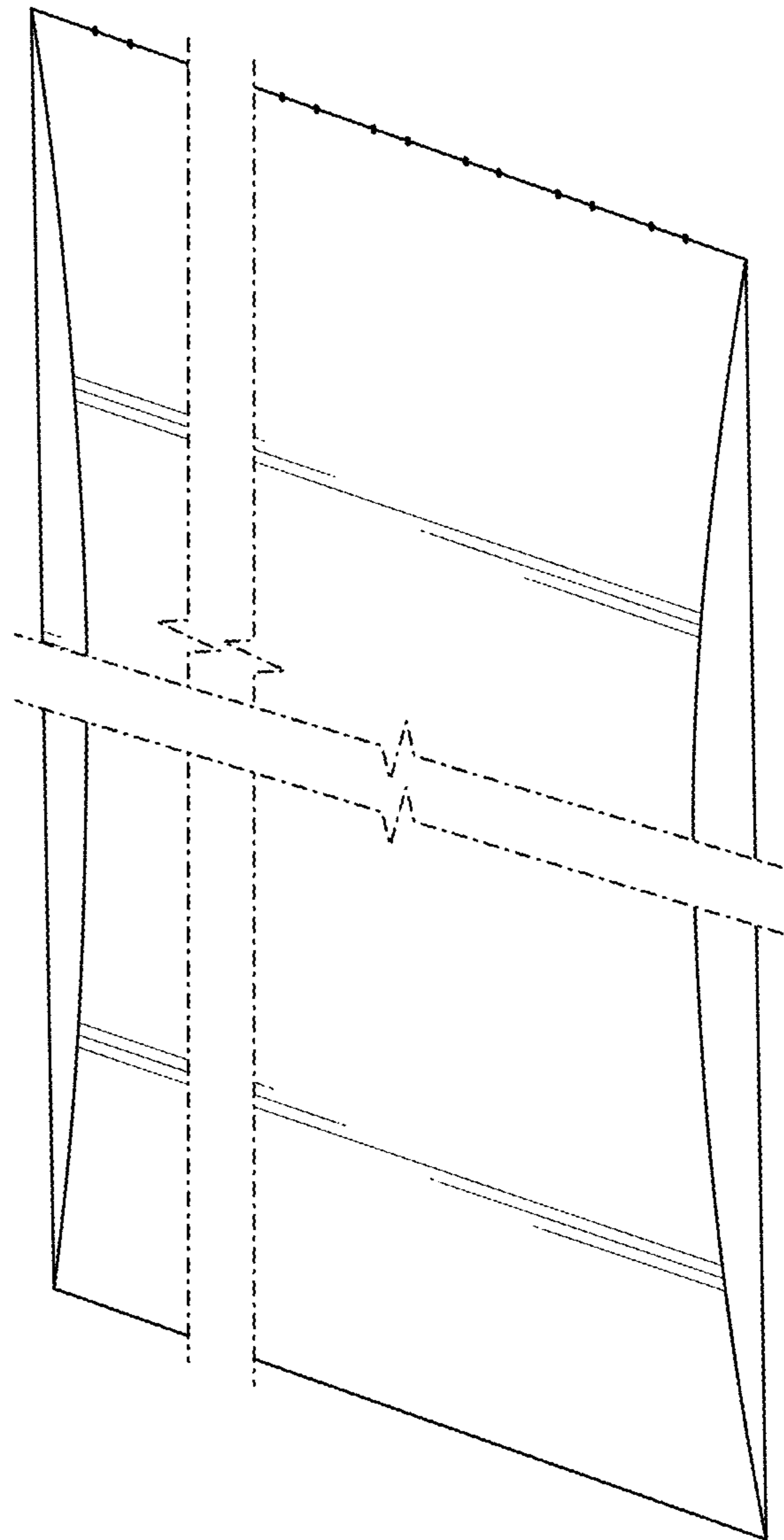


FIG. 7