



US00D929496S

(12) **United States Design Patent** (10) **Patent No.:** **US D929,496 S**
Amann et al. (45) **Date of Patent:** **** Aug. 31, 2021**

(54) **TONER CARTRIDGE**

15/0891; G03G 15/0875; G03G
2215/0827; G03G 2215/0855; G03G
21/1842

(71) Applicant: **LEXMARK INTERNATIONAL, INC.**, Lexington, KY (US)

See application file for complete search history.

(72) Inventors: **Mark William Amann**, Lexington, KY (US); **Brian Lester Boettcher**, Versailles, KY (US); **James Anthony Carter, II**, Lexington, KY (US); **David Lee Merrifield**, Lexington, KY (US); **Jay Scott Siekmann**, Nicholasville, KY (US)

(56) **References Cited**

U.S. PATENT DOCUMENTS

D102,839 S *	1/1937	Morley et al.	D15/89
D117,667 S *	11/1939	Horsley	D19/22
D122,471 S *	9/1940	Seigenberg	D19/92
D165,561 S *	12/1951	Stone	D8/313
D172,206 S *	5/1954	Anderson	D8/313

(Continued)

(73) Assignee: **Lexmark International, Inc.**, Lexington, KY (US)

OTHER PUBLICATIONS

U.S. Appl. No. 29/687,975, filed Apr. 17, 2019 (Amann et al.).

(Continued)

(**) Term: **15 Years**

Primary Examiner — George A Bugg

Assistant Examiner — Mary Claire Ramirez

(21) Appl. No.: **29/721,483**

(74) *Attorney, Agent, or Firm* — Justin M Tromp

(22) Filed: **Jan. 21, 2020**

(51) **LOC (13) Cl.** **16-03**

(52) **U.S. Cl.**
USPC **D18/43**

(57) **CLAIM**

The ornamental design for a toner cartridge, as shown and described.

(58) **Field of Classification Search**

DESCRIPTION

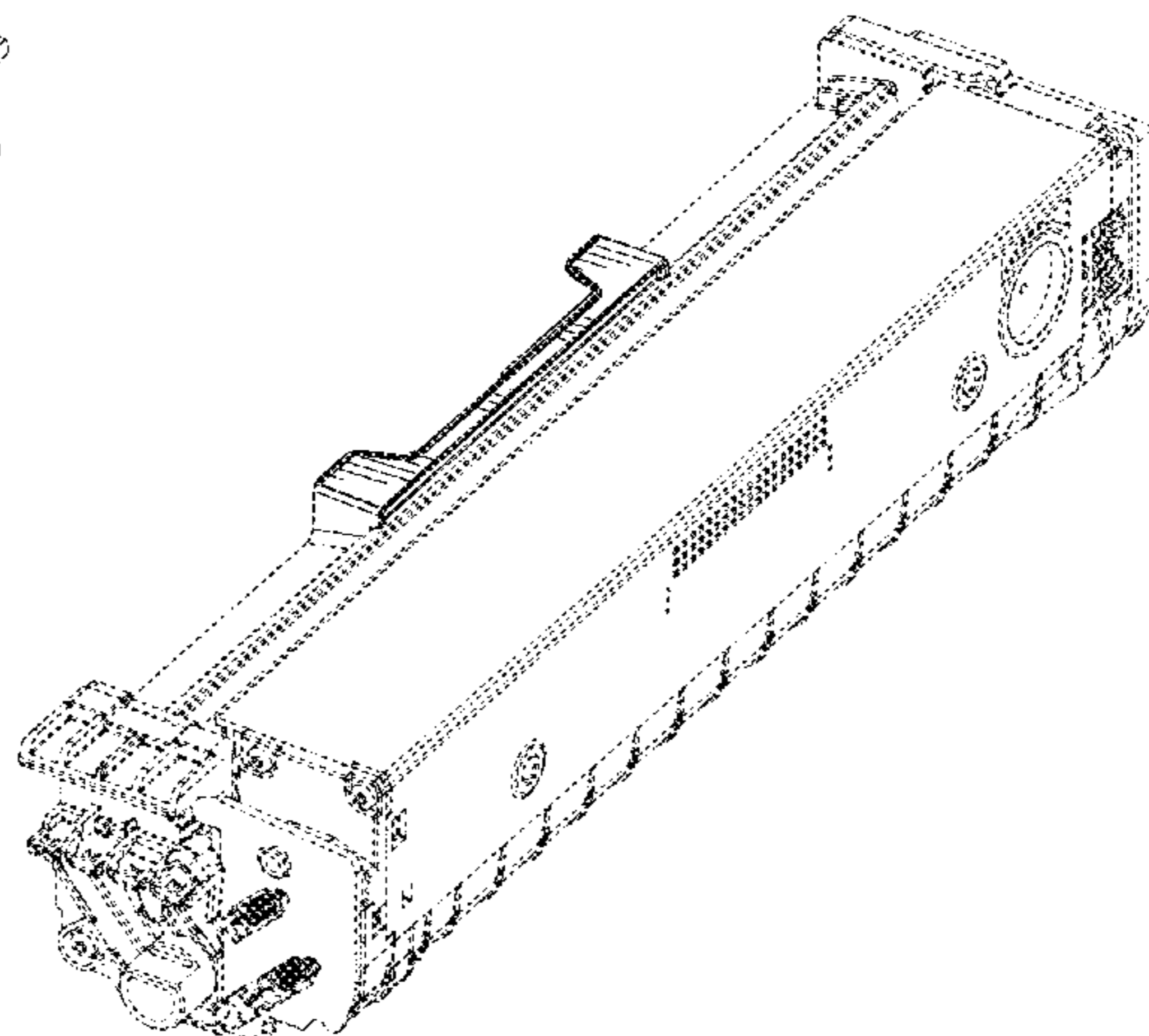
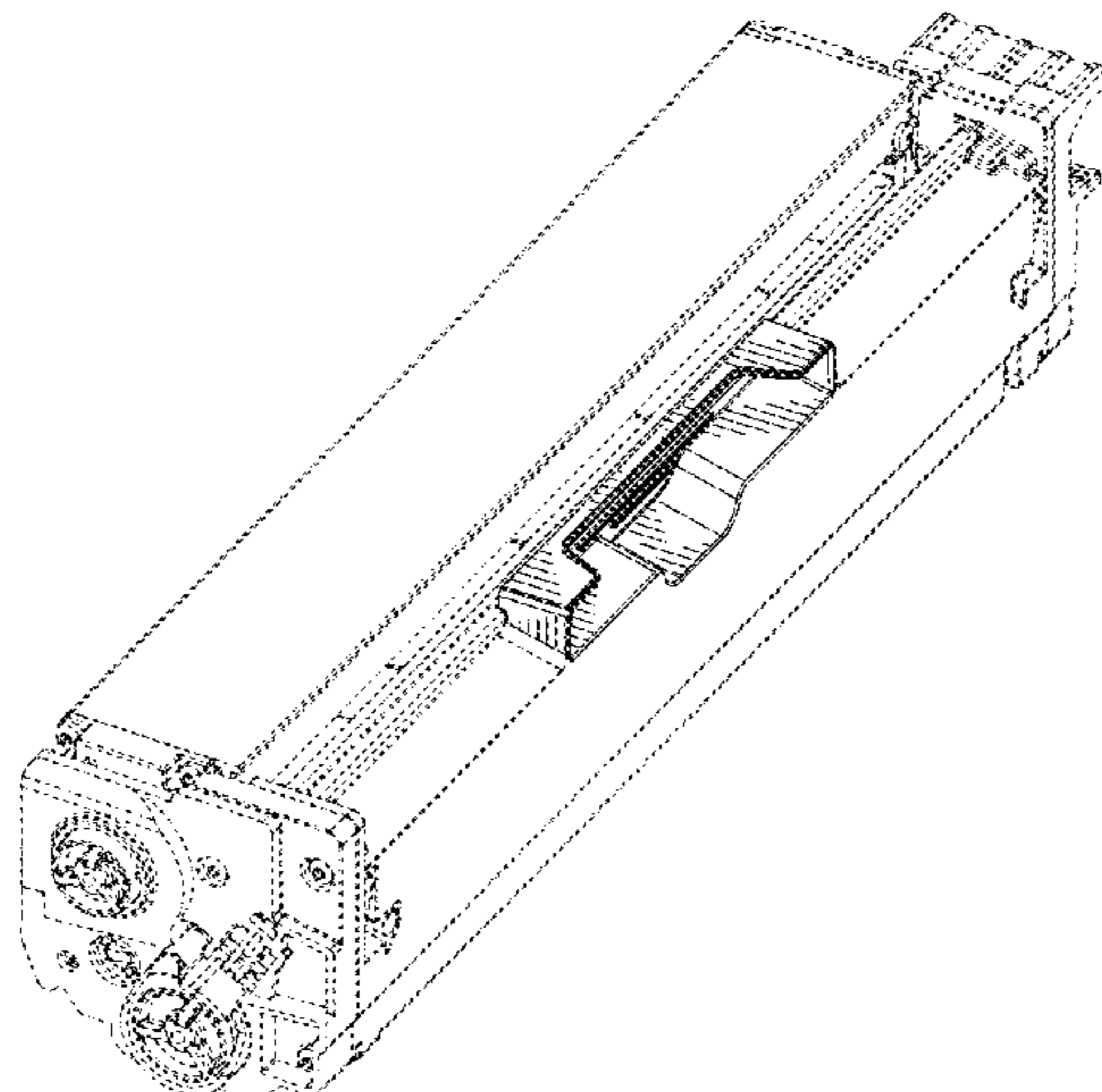
USPC D15/122, 135–138, 141, 66, 73, 76–78, D15/146, 150, 143, 89; D18/53, 59, 50, D18/14, 19, 54–57, 36–45, 34.4, 34.5, D18/34.6, 18, 51, 34.1; D14/301–303, D14/307, 345, 420–425, 462; D6/691.4, D6/675, 708, 671, 520–523, 580; D34/35, 29, 1; D7/700, 554.3, 637; D3/304, 313; D9/424; D8/313, 314, D8/301, 380, 382, 358, 354; D10/119.1; D32/19, 25, 32, 21; D4/128, 102, 122; D25/157, 160, 162, 119; D19/1, 5, 113, D19/190, 191, 104, 107, 192, 202, 99, D19/100

CPC B41J 2/14; B41J 2/01; B41J 2/22; B41J 1/54; B41J 3/4073; B41J 3/4078; B41F 17/22; B41F 17/003; B41F 17/38; B28B 1/001; B65H 5/02; G03G 15/08; G03G

FIG. 1 is a left, front, top perspective view of a toner cartridge;
 FIG. 2 is a right, rear, top perspective view thereof;
 FIG. 3 is a right, front, bottom perspective view thereof;
 FIG. 4 is a left, rear, bottom perspective view thereof;
 FIG. 5 is a right elevation view thereof;
 FIG. 6 is a left elevation view thereof;
 FIG. 7 is a front elevation view thereof;
 FIG. 8 is a rear elevation view thereof;
 FIG. 9 is a top view thereof; and,
 FIG. 10 is a bottom view thereof.

The features shown in broken lines depict portions of the toner cartridge that form no part of the claimed design.

1 Claim, 10 Drawing Sheets



(56)

References Cited

U.S. PATENT DOCUMENTS

D196,890 S * 11/1963 Garner D19/78
 D199,044 S * 9/1964 Jackson D19/92
 D220,014 S * 2/1971 Rome D19/92
 D244,511 S * 5/1977 Frisbey D9/432
 D247,025 S * 1/1978 Cherry D3/312
 D282,043 S * 1/1986 Morin D6/406.6
 D413,311 S * 8/1999 Blalock D14/420
 D414,809 S * 10/1999 Trombly D19/77
 D445,822 S * 7/2001 Tosa D18/40
 D456,454 S * 4/2002 Bond D19/92
 D494,213 S * 8/2004 Wong D18/44
 D524,847 S * 7/2006 McIntosh D18/40
 D529,954 S * 10/2006 Matsumoto D18/56
 D538,338 S * 3/2007 Matsumoto 347/86
 D566,192 S * 4/2008 Bhavnani D19/92
 D586,847 S * 2/2009 Han D18/43
 D637,225 S * 5/2011 Kishi D18/43
 D637,226 S * 5/2011 Sakuma D18/43
 D652,862 S * 1/2012 Mori D18/43
 D723,614 S * 3/2015 Shimizu D18/43
 D737,536 S * 8/2015 Baek D34/29

D743,211 S * 11/2015 Choi D7/554.3
 D791,224 S * 7/2017 Toba et al.
 D791,862 S * 7/2017 Toba et al.
 D806,164 S * 12/2017 Smith D18/56
 D818,534 S * 5/2018 Mita D18/55
 D836,161 S * 12/2018 Eto D18/43
 D839,022 S * 1/2019 Jones D6/520
 D849,131 S * 5/2019 Shimizu D18/43
 10,474,093 B1 * 11/2019 Amann G03G 21/1676
 D873,335 S * 1/2020 Kashiide D18/43
 10,962,905 B1 * 3/2021 Boettcher G03G 15/0881
 2020/0133188 A1 * 4/2020 Amann G03G 21/1857
 2020/0142348 A1 * 5/2020 Amann G03G 21/1676
 2021/0011397 A1 * 1/2021 Abler G03G 15/169
 2021/0063955 A1 * 3/2021 Boettcher G03G 21/1676

OTHER PUBLICATIONS

U.S. Appl. No. 29/687,978, filed Apr. 17, 2019 (Amann et al.).
 U.S. Appl. No. 29/687,982, filed Apr. 17, 2019 (Amann et al.).
 U.S. Appl. No. 29/687,971, filed Apr. 17, 2019 (Amann et al.).
 U.S. Appl. No. 29/721,461, filed Jan. 21, 2020 (Amann et al.).

* cited by examiner

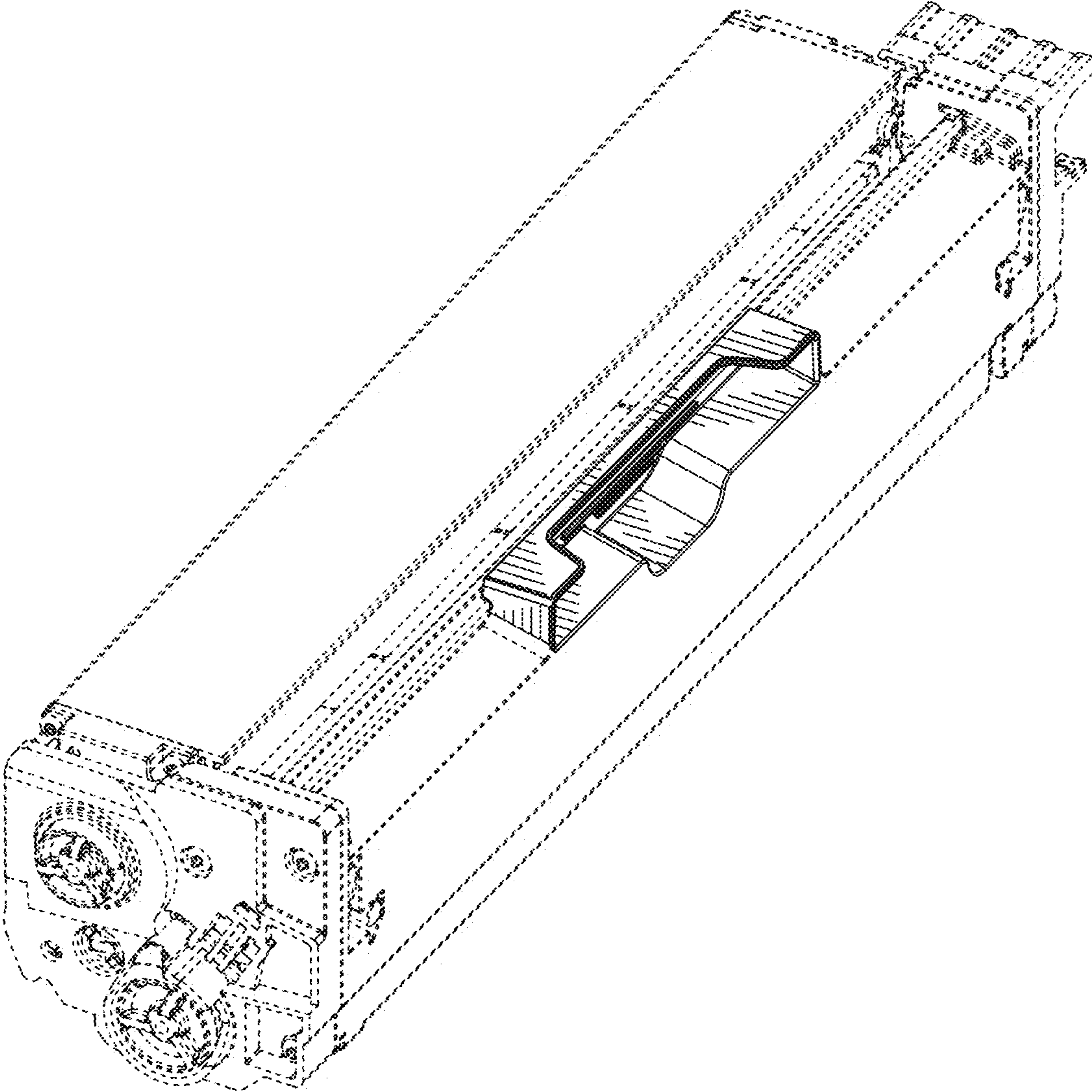


FIG. 1

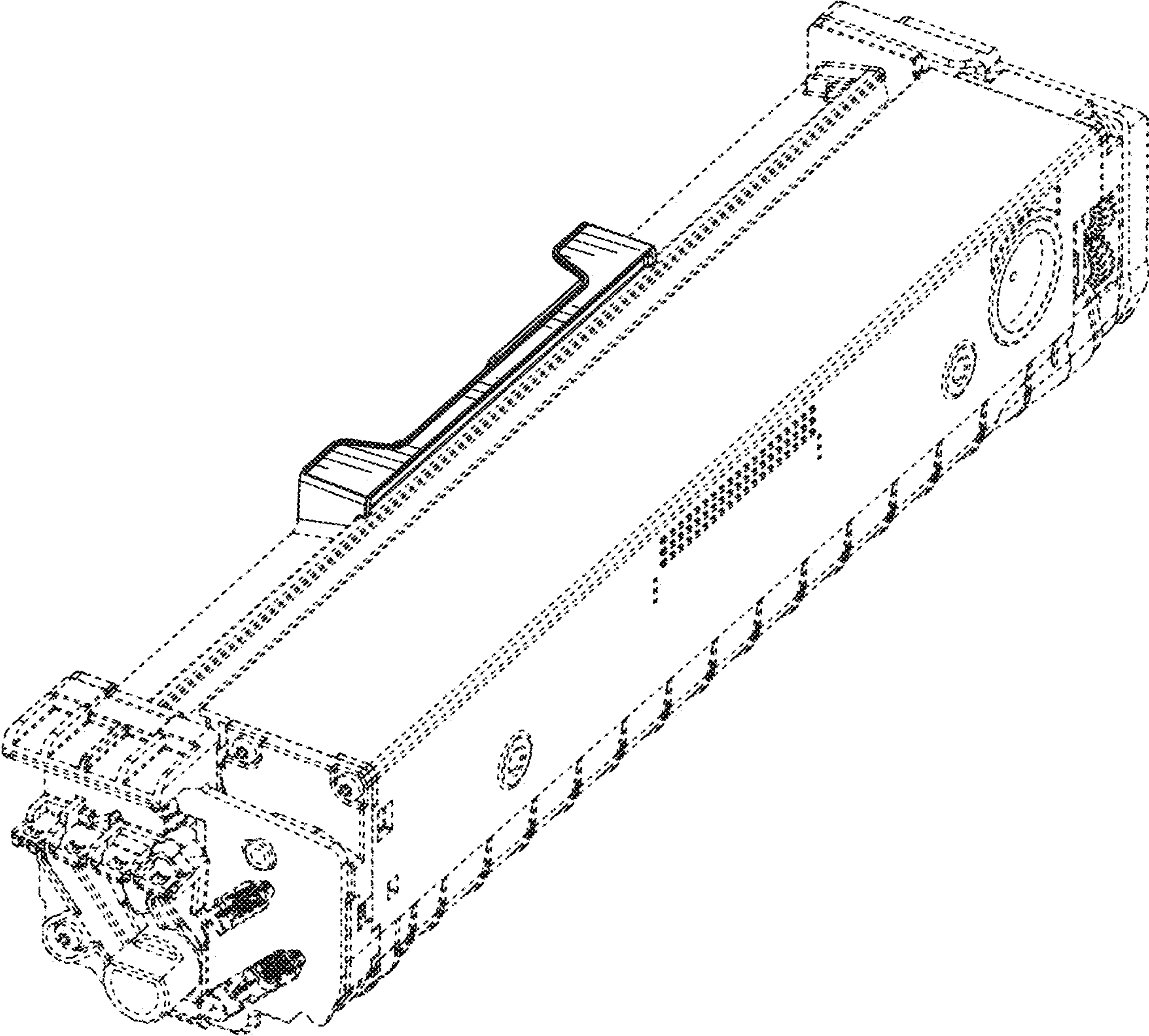


FIG. 2

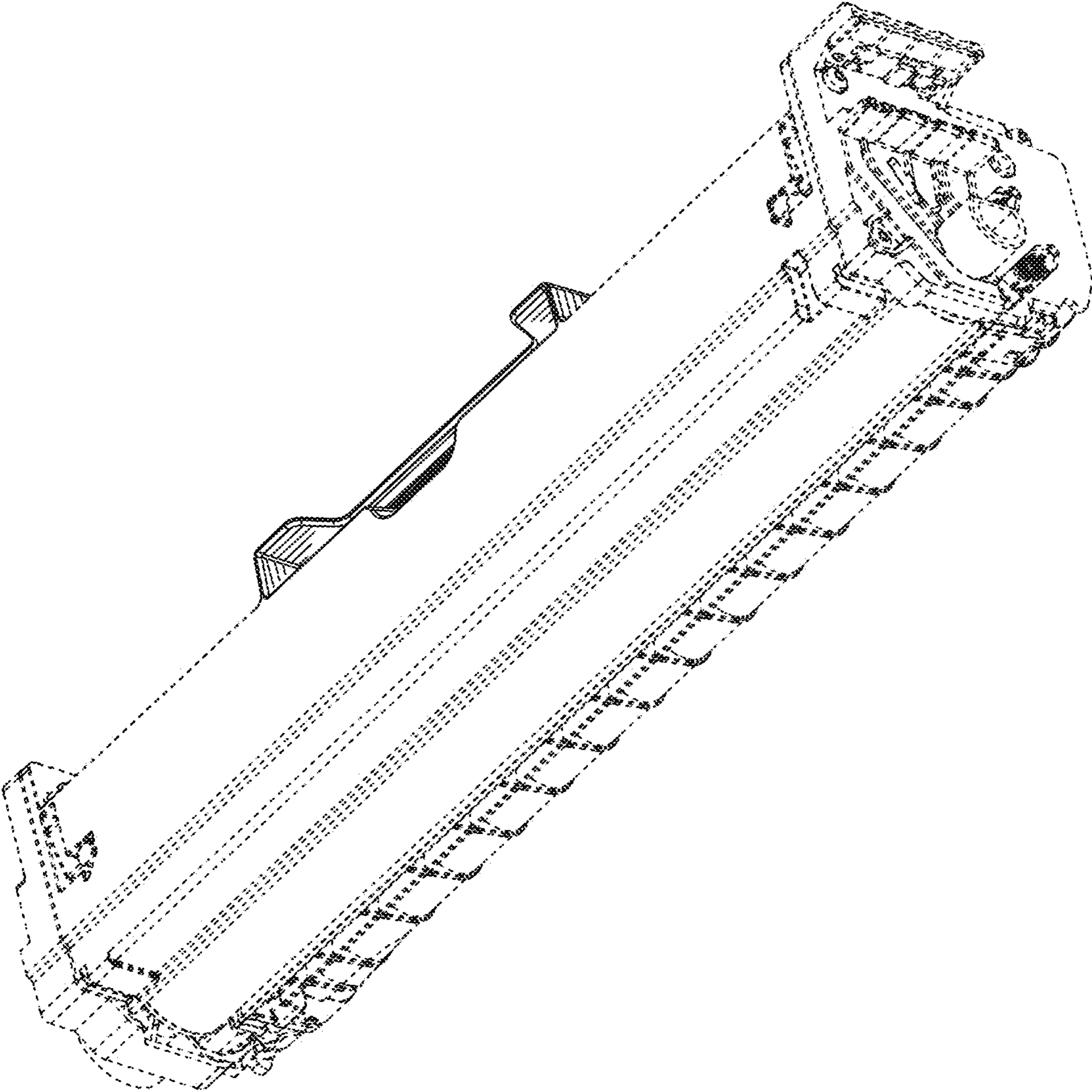


FIG. 3

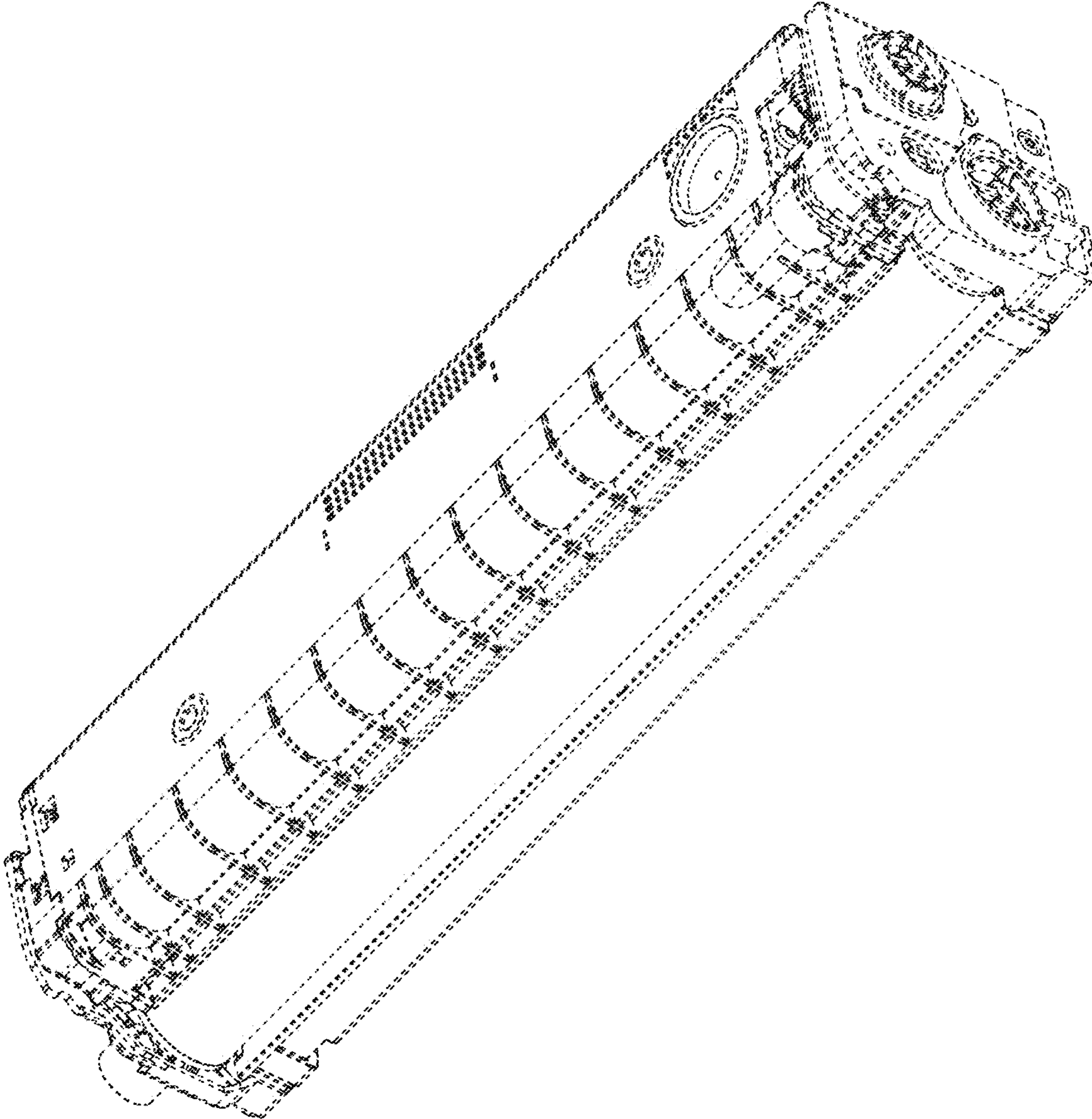


FIG. 4

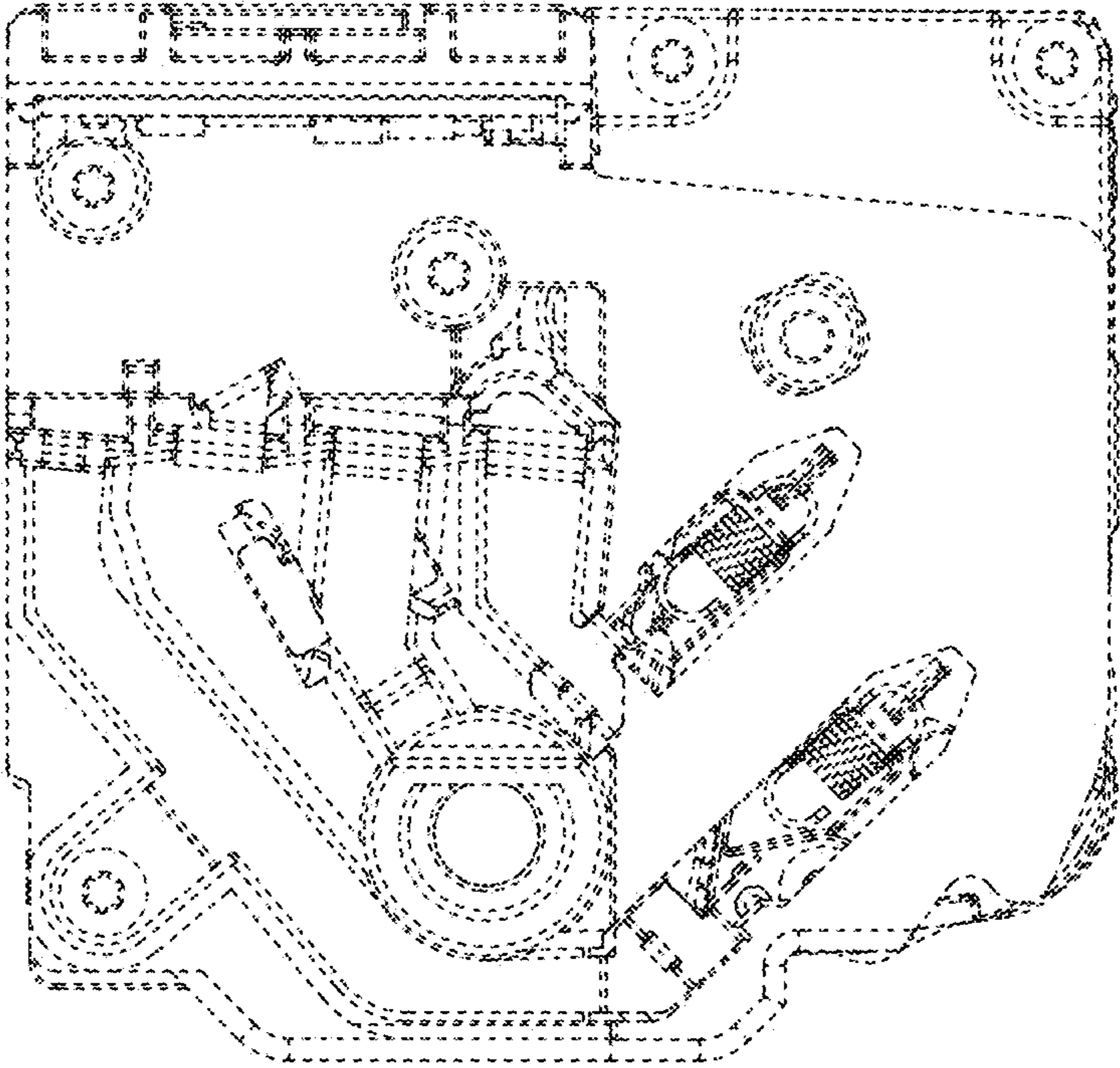


FIG. 5

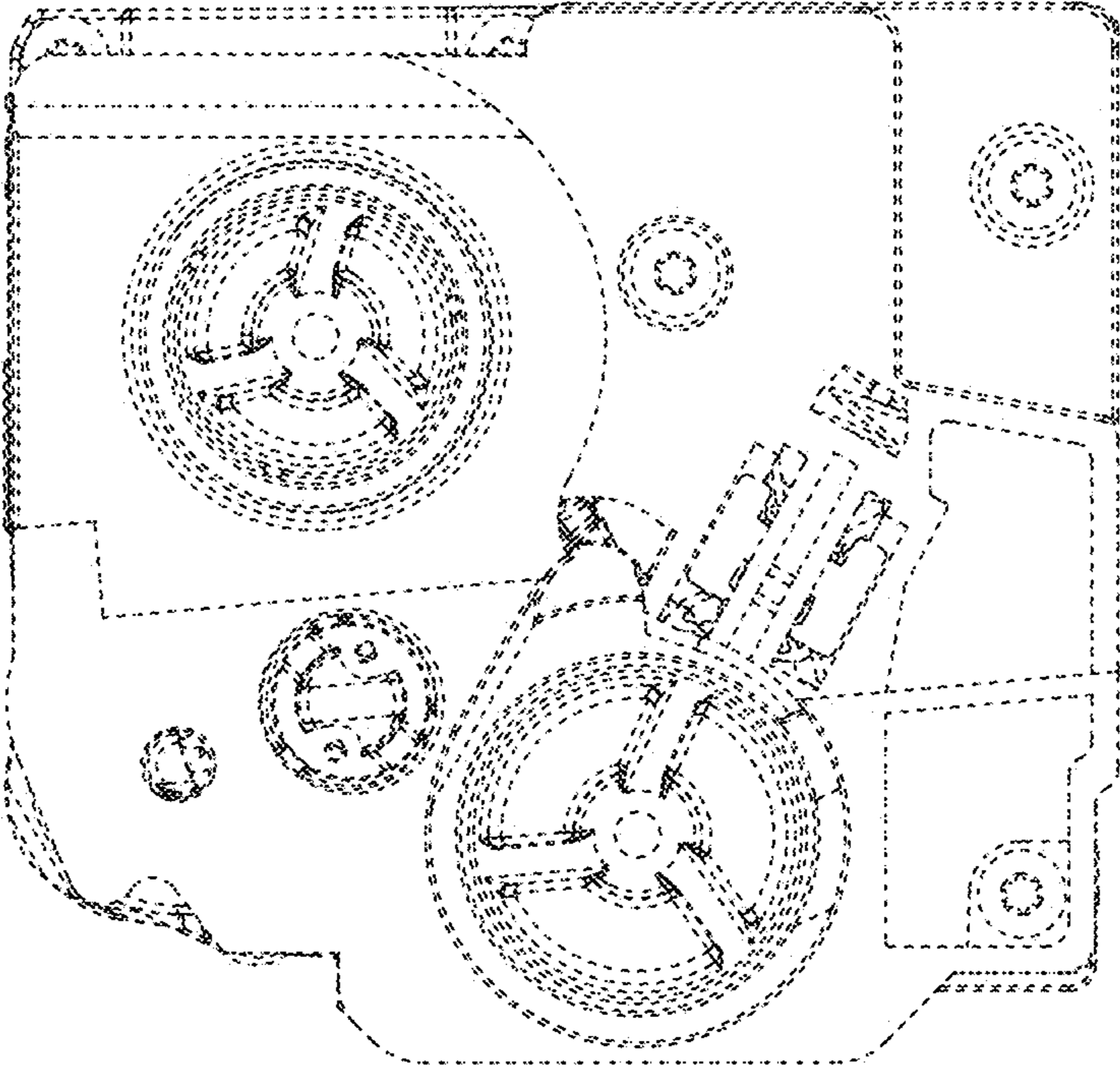


FIG. 6

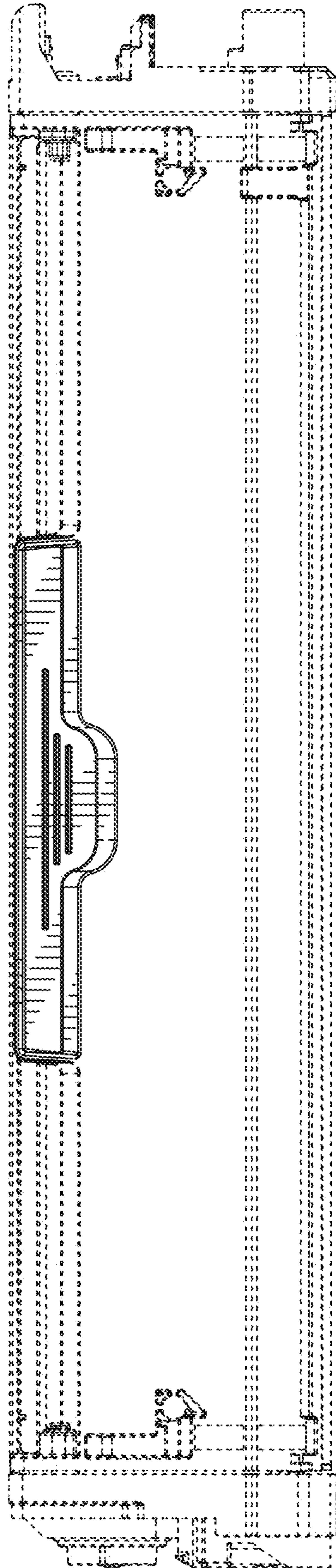


FIG. 7

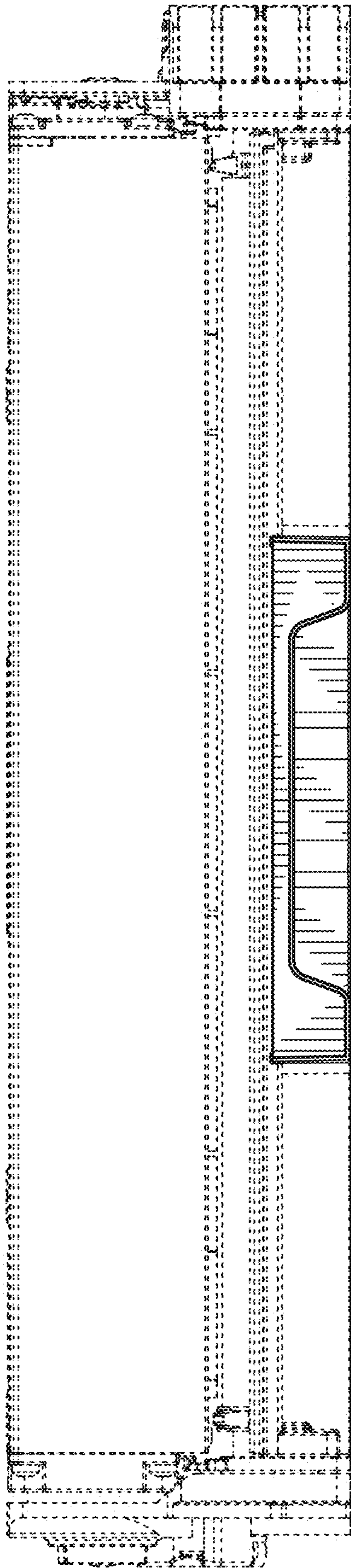


FIG. 9

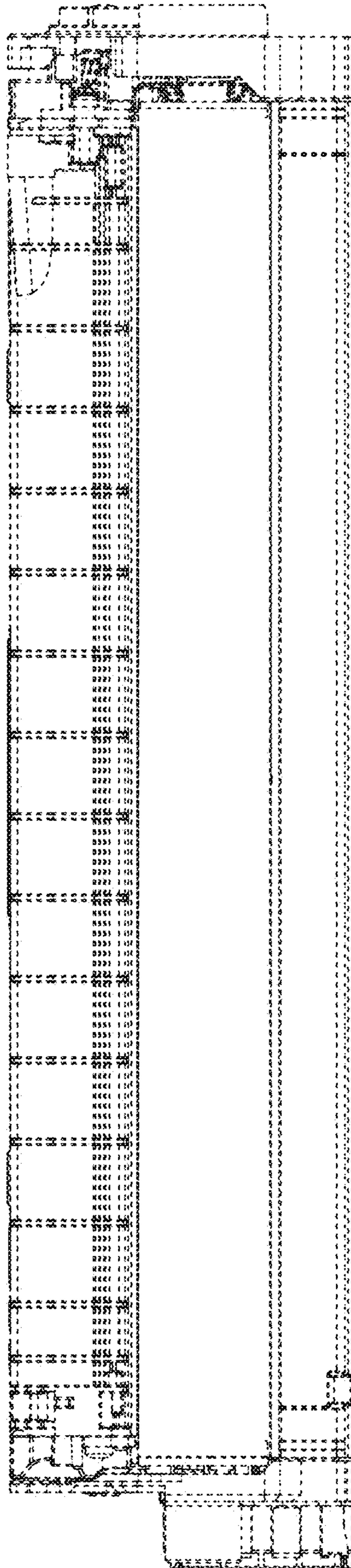


FIG. 10