



US00D929495S

(12) **United States Design Patent** (10) **Patent No.:** **US D929,495 S**  
**Tatsumi et al.** (45) **Date of Patent:** **\*\* Aug. 31, 2021**

(54) **WIND INSTRUMENT**

(71) Applicant: **YAMAHA CORPORATION**,  
Hamamatsu (JP)

(72) Inventors: **Keizo Tatsumi**, Hamamatsu (JP);  
**Yuichiro Suenaga**, Hamamatsu (JP)

(73) Assignee: **YAMAHA CORPORATION**,  
Hamamatsu (JP)

(\*\*) Term: **15 Years**

(21) Appl. No.: **29/715,982**

(22) Filed: **Dec. 5, 2019**

(30) **Foreign Application Priority Data**

Jun. 7, 2019 (JP) ..... 2019-012563

(51) **LOC (13) Cl.** ..... **17-02**

(52) **U.S. Cl.**  
USPC ..... **D17/10**

(58) **Field of Classification Search**

USPC ..... D17/10, 11, 13, 99; D21/405, 411  
CPC .. G10D 7/00; G10D 7/02; G10D 7/06; G10D  
7/063; G10D 7/066; G10D 7/08; G10D  
7/10; G10D 9/00; G10D 9/02; G10D  
9/025; G10D 9/10

See application file for complete search history.

(56) **References Cited**

**U.S. PATENT DOCUMENTS**

1,837,823 A \* 12/1931 Loomis ..... G10D 7/066  
84/382  
2,672,783 A \* 3/1954 Kaufer ..... G10D 7/10  
84/387 R  
5,249,499 A \* 10/1993 Goldstein ..... G10D 9/01  
84/386  
D396,525 S \* 7/1998 Larimer ..... D23/263

D411,565 S \* 6/1999 Lee ..... D17/10  
D686,653 S \* 7/2013 Tomasi ..... D17/10  
9,418,634 B1 \* 8/2016 Brebner ..... G10D 9/01  
D823,375 S \* 7/2018 Tatsumi ..... D17/13  
D826,316 S \* 8/2018 Tatsumi ..... D17/10

**FOREIGN PATENT DOCUMENTS**

DE 1803681 B1 \* 6/1970 ..... G10D 7/10  
EP 498747 A1 \* 8/1992  
FR 623524 A \* 6/1927 ..... G10D 7/063  
FR 2581229 A1 \* 10/1986 ..... G10D 7/00  
FR 2973148 A1 \* 9/2012 ..... G10D 7/00  
GB 2029623 A \* 3/1980 ..... G10D 7/066  
WO WO-2017056964 A1 \* 4/2017 ..... G10D 9/035

\* cited by examiner

*Primary Examiner* — R. Johnson

(74) *Attorney, Agent, or Firm* — Sughrue Mion, PLLC

(57) **CLAIM**

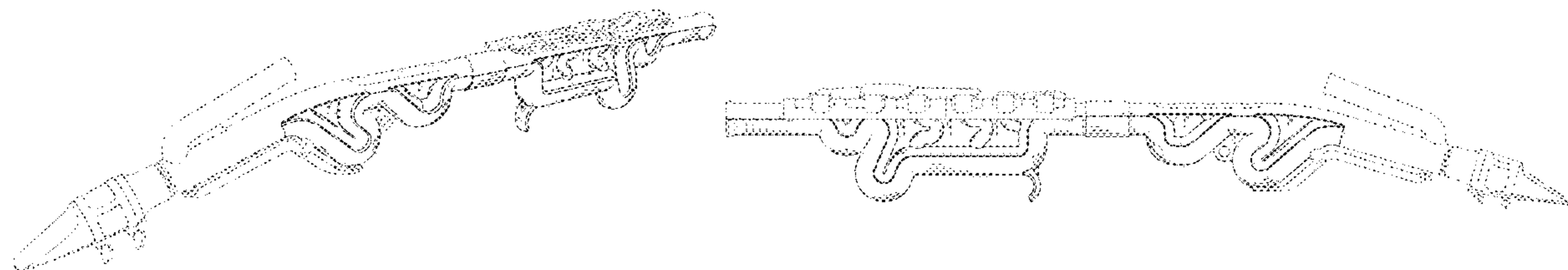
The ornamental design for a wind instrument, as shown and described.

**DESCRIPTION**

FIG. 1 is a perspective view of the front, top and left side of a wind instrument showing our new design;  
FIG. 2 is a front view thereof;  
FIG. 3 is a rear view thereof;  
FIG. 4 is a left side view thereof;  
FIG. 5 is a right side view thereof;  
FIG. 6 is a top view thereof; and,  
FIG. 7 is a bottom view thereof.

The evenly spaced broken lines illustrate the portions of the wind instrument that form no part of the claimed design. The dot-dashed broken lines represent a boundary between the claimed portions and the non-claimed portions of the design.

**1 Claim, 4 Drawing Sheets**



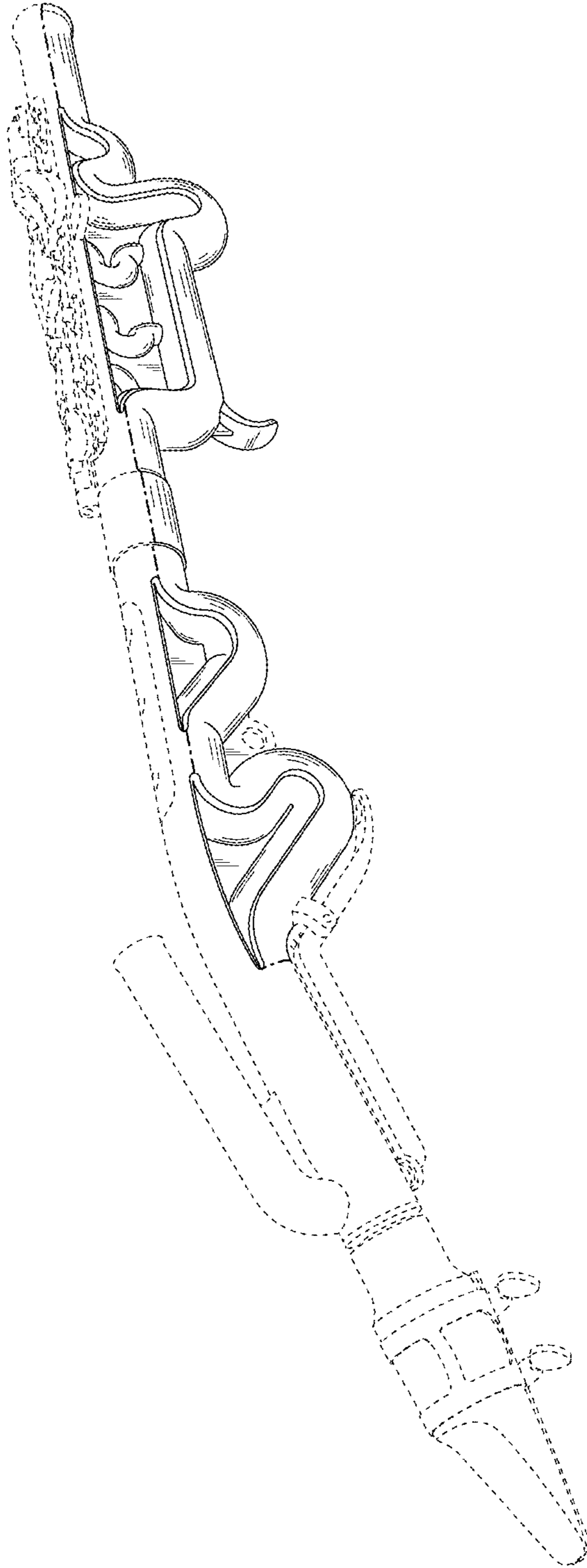


FIG. 1

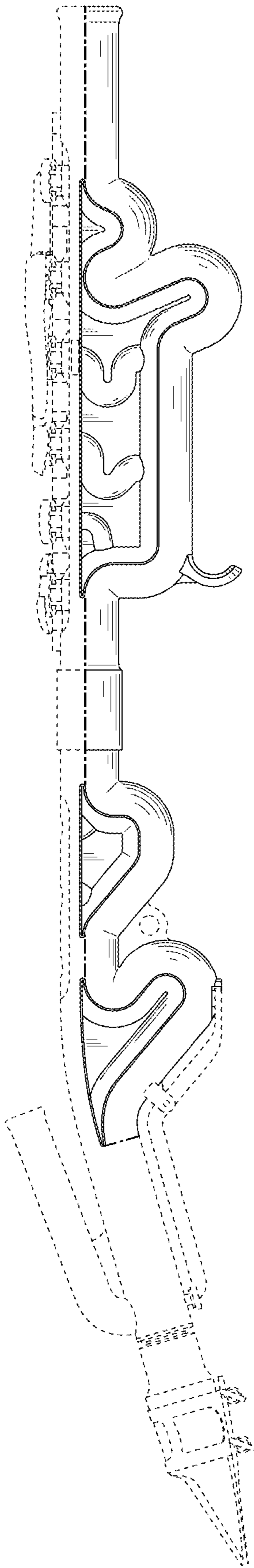


FIG. 2

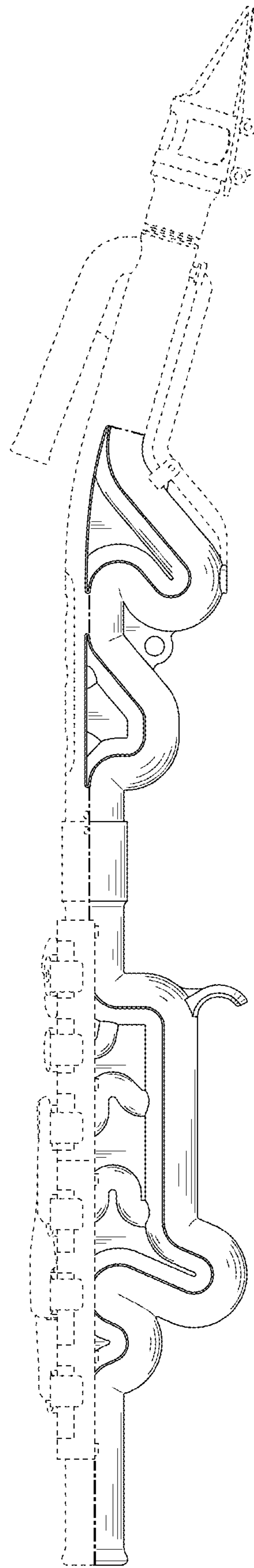


FIG. 3

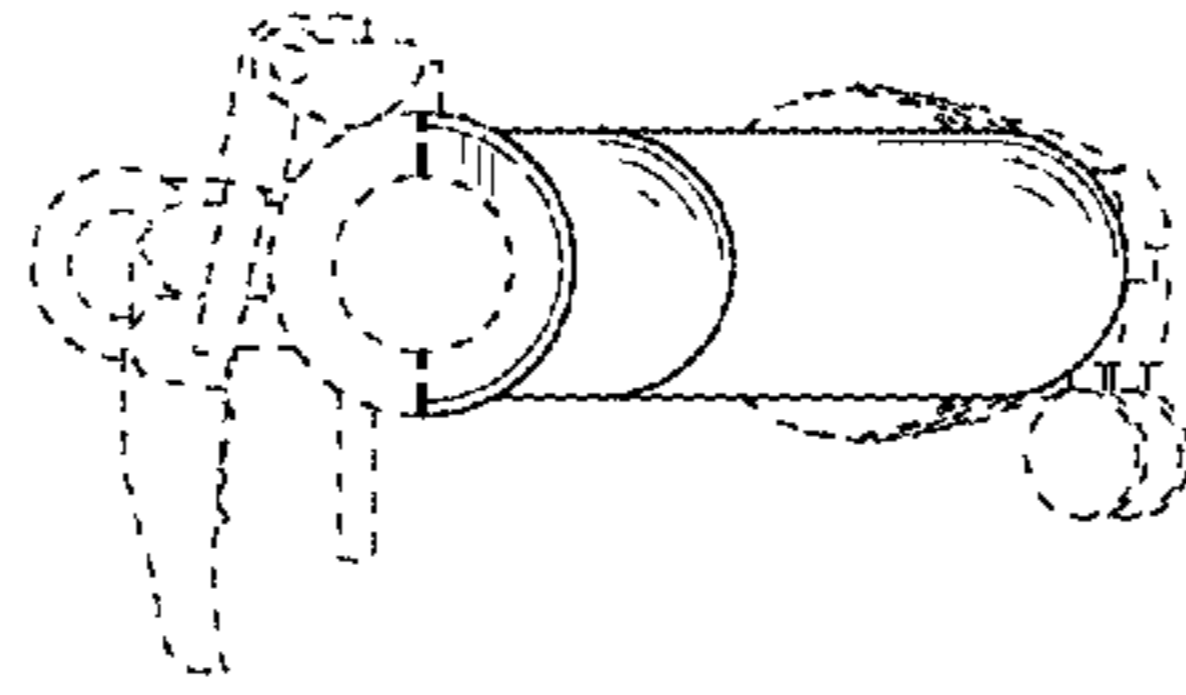


FIG. 5

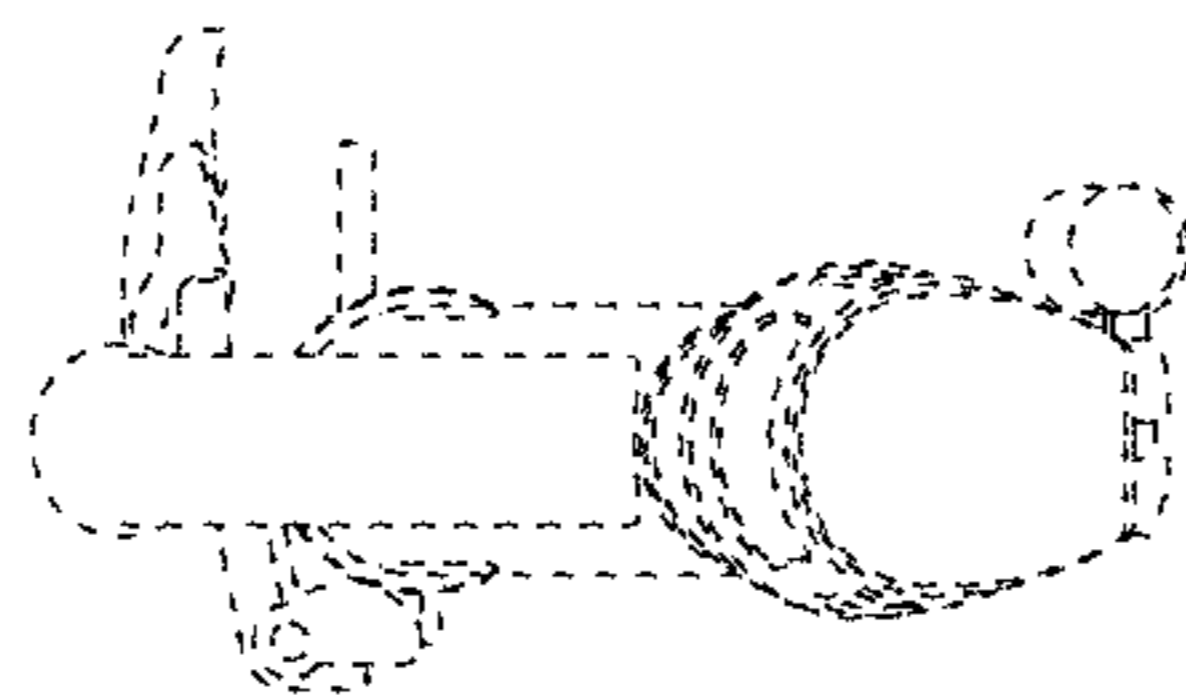


FIG. 4

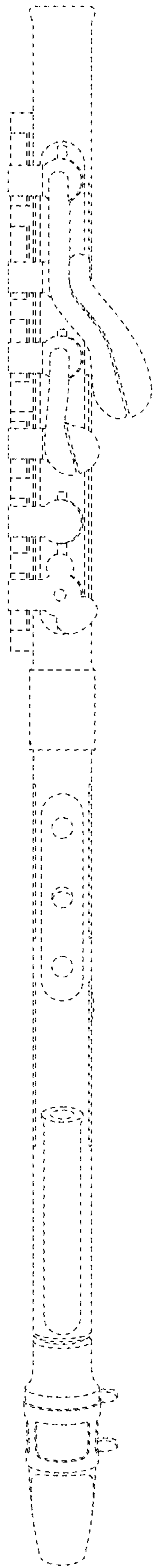


FIG. 6

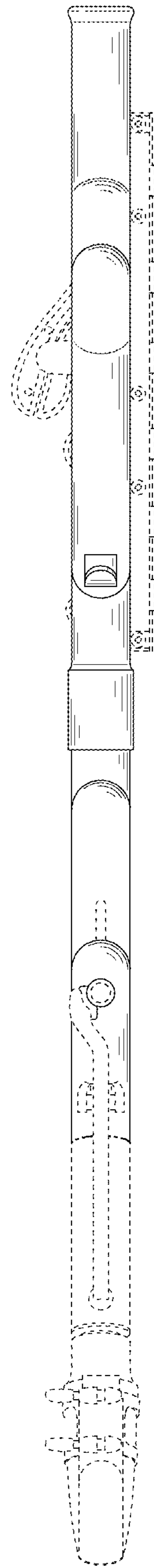


FIG. 7