



US00D929494S

(12) **United States Design Patent** (10) **Patent No.:** **US D929,494 S**
Tatsumi et al. (45) **Date of Patent:** **** Aug. 31, 2021**

(54) **WIND INSTRUMENT**

(71) Applicant: **YAMAHA CORPORATION,**
Hamamatsu (JP)

(72) Inventors: **Keizo Tatsumi,** Hamamatsu (JP);
Yuichiro Suenaga, Hamamatsu (JP)

(73) Assignee: **YAMAHA CORPORATION,**
Hamamatsu (JP)

(**) Term: **15 Years**

(21) Appl. No.: **29/715,979**

(22) Filed: **Dec. 5, 2019**

(30) **Foreign Application Priority Data**

Jun. 7, 2019 (JP) 2019-012562

(51) **LOC (13) Cl.** **17-02**

(52) **U.S. Cl.**
USPC **D17/10**

(58) **Field of Classification Search**
USPC D17/10, 11, 13, 99; D21/405, 411
CPC .. G10D 7/00; G10D 7/02; G10D 7/06; G10D
7/063; G10D 7/066; G10D 7/08; G10D
7/10; G10D 9/00; G10D 9/02; G10D
9/025; G10D 9/10

See application file for complete search history.

(56) **References Cited**

U.S. PATENT DOCUMENTS

1,837,823 A * 12/1931 Loomis G10D 7/066
84/382
2,672,783 A * 3/1954 Kaufer G10D 7/10
84/387 R
5,249,499 A * 10/1993 Goldstein G10D 9/01
84/386
D396,525 S * 7/1998 Larimer D23/263

D411,565 S * 6/1999 Lee D17/10
D686,653 S * 7/2013 Tomasi D17/10
9,418,634 B1 * 8/2016 Brebner G10D 9/01
D823,375 S * 7/2018 Tatsumi D17/13
D826,316 S * 8/2018 Tatsumi D17/10

FOREIGN PATENT DOCUMENTS

DE 1803681 B1 * 6/1970 G10D 7/10
EP 498747 A1 * 8/1992
FR 623524 A * 6/1927 G10D 7/063
FR 2581229 A1 * 10/1986 G10D 7/00
FR 2973148 A1 * 9/2012 G10D 7/00
GB 2029623 A * 3/1980 G10D 7/066
WO WO-2017056964 A1 * 4/2017 G10D 9/035

OTHER PUBLICATIONS

Office Action dated Nov. 25, 2019 by the Japanese Patent Office in counterpart Japanese Patent Application No. 2019-012562.

* cited by examiner

Primary Examiner — R. Johnson

(74) *Attorney, Agent, or Firm* — Sughrue Mion, PLLC

(57) **CLAIM**

The ornamental design for a wind instrument, as shown and described.

DESCRIPTION

FIG. 1 is a perspective view of the front, top and left side of a wind instrument showing our new design;

FIG. 2 is a front view thereof;

FIG. 3 is a rear view thereof;

FIG. 4 is a left side view thereof;

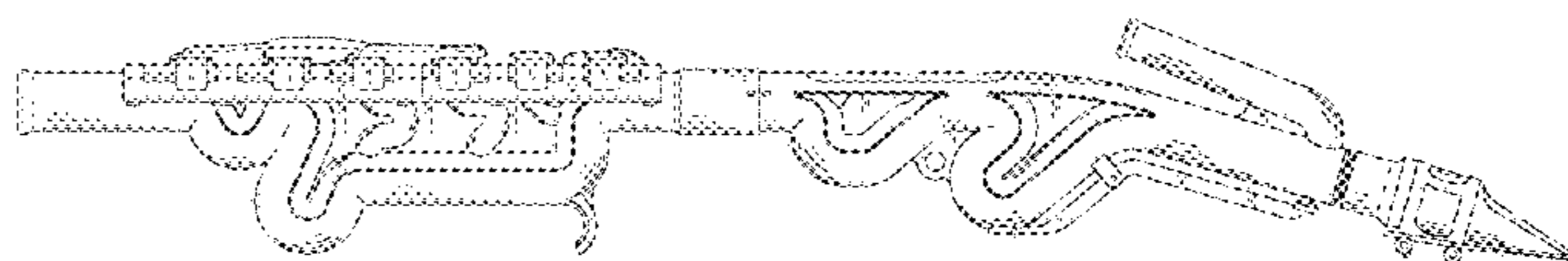
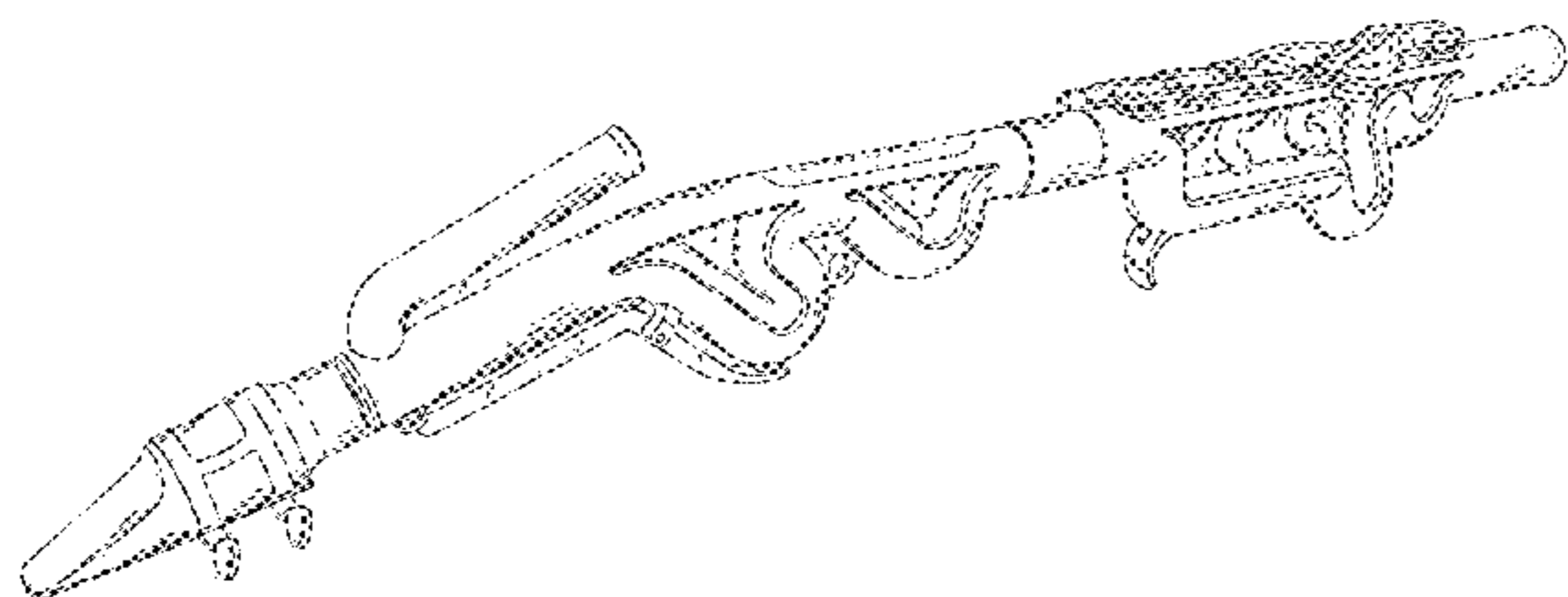
FIG. 5 is a right side view thereof;

FIG. 6 is a top view thereof; and,

FIG. 7 is a bottom view thereof.

The broken lines illustrate the portions of the wind instrument that form no part of the claimed design.

1 Claim, 4 Drawing Sheets



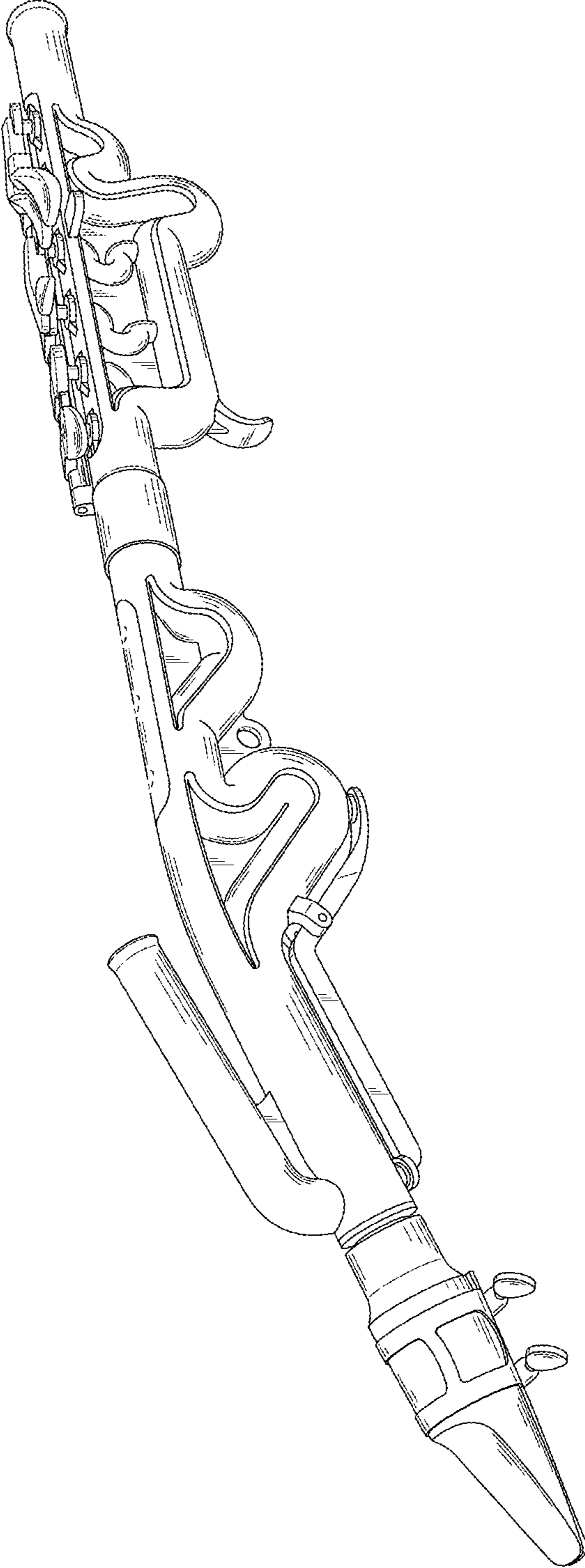


FIG. 1

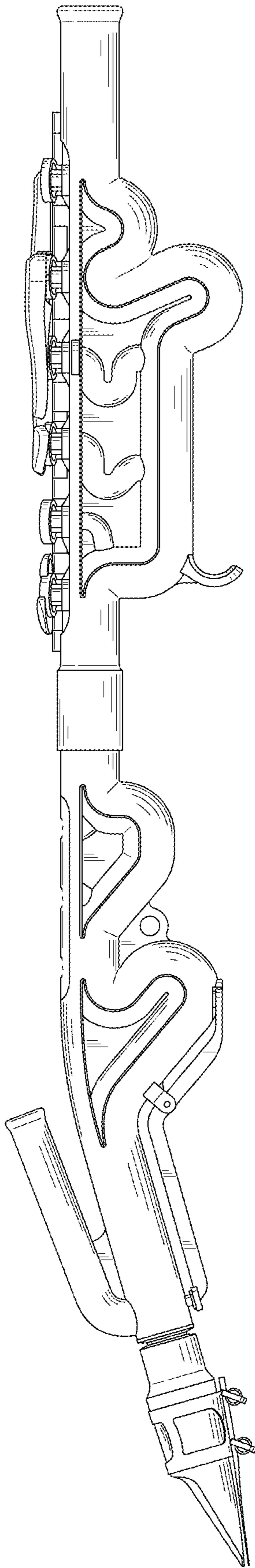


FIG. 2

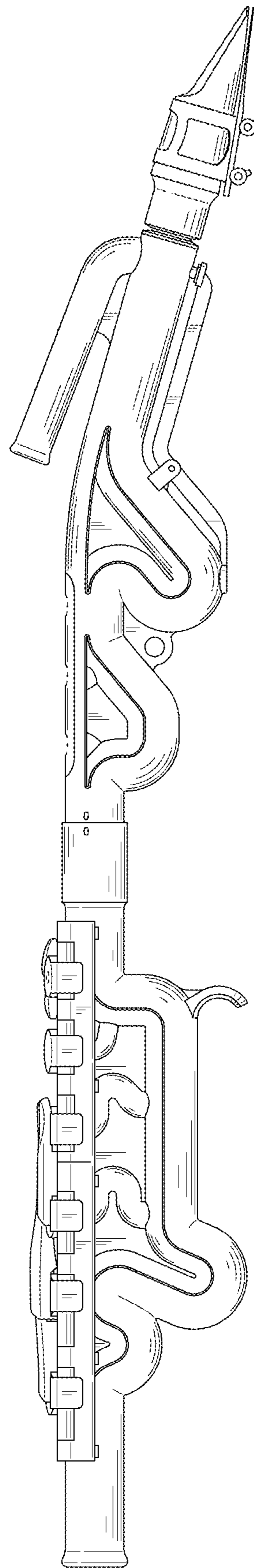


FIG. 3

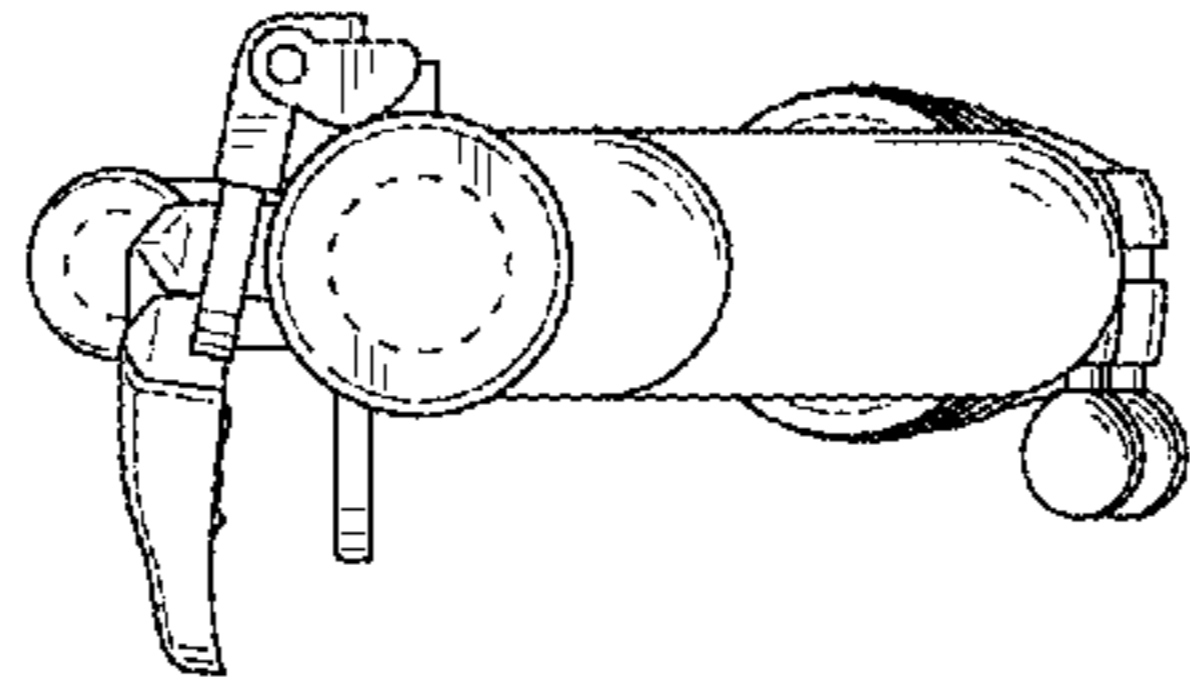


FIG. 5

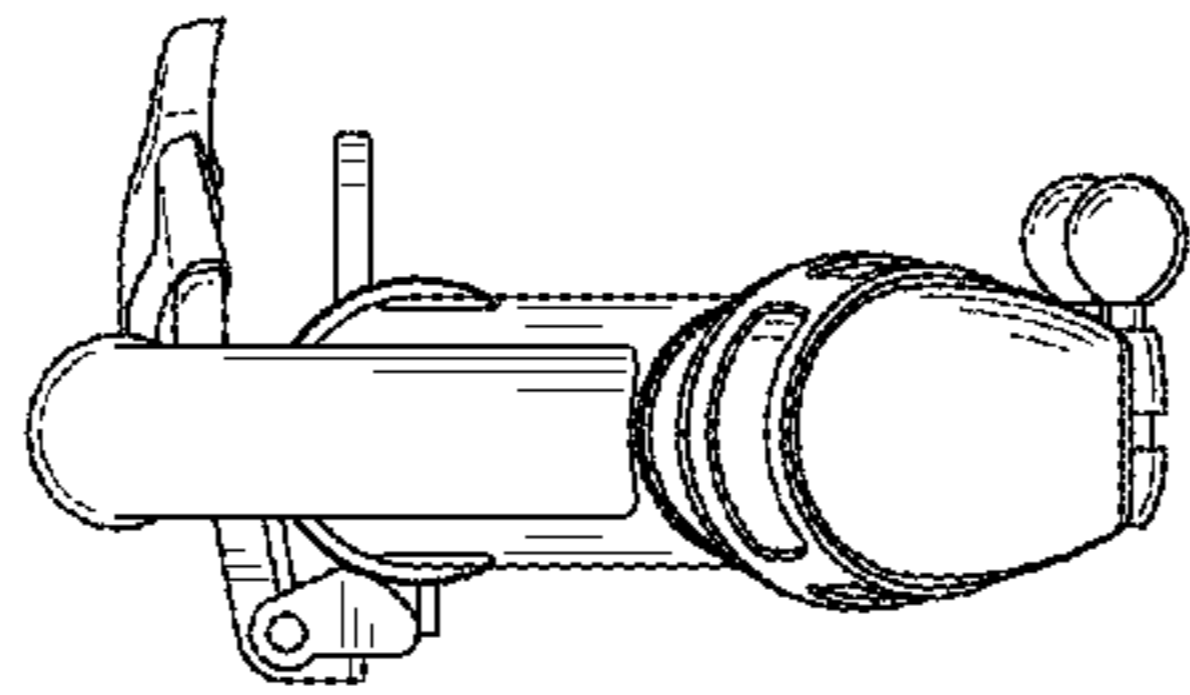


FIG. 4

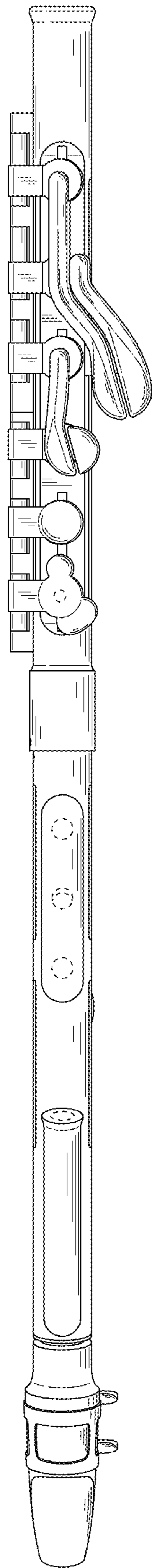


FIG. 6

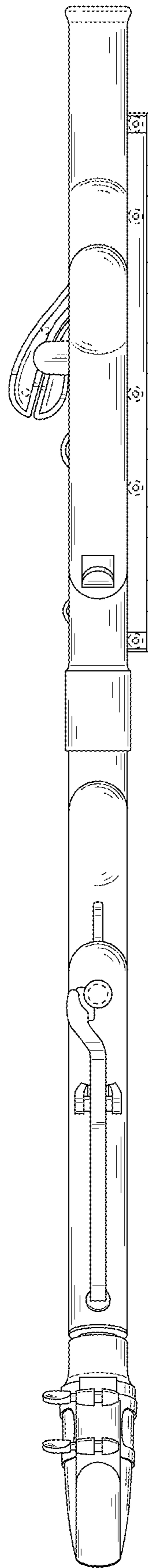


FIG. 7