



US00D929491S

(12) **United States Design Patent**
Li et al.

(10) **Patent No.:** **US D929,491 S**

(45) **Date of Patent:** **** Aug. 31, 2021**

(54) **THREE AXIS STABILIZER**

(71) Applicant: **GUANGDONG SIRUI OPTICAL CO., LTD.**, Zhongshan (CN)

(72) Inventors: **Jie Li**, Zhongshan (CN); **Hang Chen**, Zhongshan (CN)

(73) Assignee: **GUANGDONG SIRUI OPTICAL CO., LTD.**, Zhongshan (GN)

(**) Term: **15 Years**

(21) Appl. No.: **29/704,872**

(22) Filed: **Sep. 8, 2019**

(30) **Foreign Application Priority Data**

Aug. 2, 2019 (CN) 201930419636.3

(51) **LOC (13) Cl.** **16-05**

(52) **U.S. Cl.**
USPC **D16/243**

(58) **Field of Classification Search**
USPC D16/219, 237-250; D8/354, 355, 363, D8/373, 382-383, 394-396; D14/224, D14/229, 238, 251, 253, 447, 451, 457
CPC A45F 5/00; A45F 5/10; A45F 2200/0508-0533; F16M 11/06-10; F16M 11/14; G02B 7/00-002; G03B 17/56; G03B 17/561-566; H04N 5/2253-2254
See application file for complete search history.

(56) **References Cited**

U.S. PATENT DOCUMENTS

D780,825 S * 3/2017 Kim D16/242
D784,997 S * 4/2017 Cheng D14/447
D794,606 S * 8/2017 Zheng D14/217
D796,482 S * 9/2017 Zheng D14/217
9,800,786 B1 * 10/2017 Wei H04N 5/2328
D810,171 S * 2/2018 Kim D16/206

9,891,505 B1 * 2/2018 Wei F16M 13/02
9,894,279 B2 * 2/2018 Wei F16M 11/123
D814,545 S * 4/2018 Kim D16/206
D815,180 S * 4/2018 Kim D16/206
D826,310 S * 8/2018 Wang D16/243
10,139,711 B1 * 11/2018 Wei G03B 17/563
10,240,714 B2 * 3/2019 Wei F16M 13/00
D849,497 S * 5/2019 Wang D8/71
D857,786 S * 8/2019 Kim D16/243
D860,170 S * 9/2019 Ding D14/217
D863,411 S * 10/2019 Liao D16/243
10,432,863 B2 * 10/2019 Appel F16M 13/00
D866,647 S * 11/2019 Kim D16/243
10,465,840 B2 * 11/2019 Gubler F16M 11/18
D868,877 S * 12/2019 Lin D16/243

(Continued)

OTHER PUBLICATIONS

SIRUI Swift M1 Gimbal, [online] Retrieved Jun. 24, 2019 from URL: <https://en.sirui.com/index/intelligent/m1.html>.*

Primary Examiner — Vy N Koenig

(74) *Attorney, Agent, or Firm* — Loeb & Loeb LLP

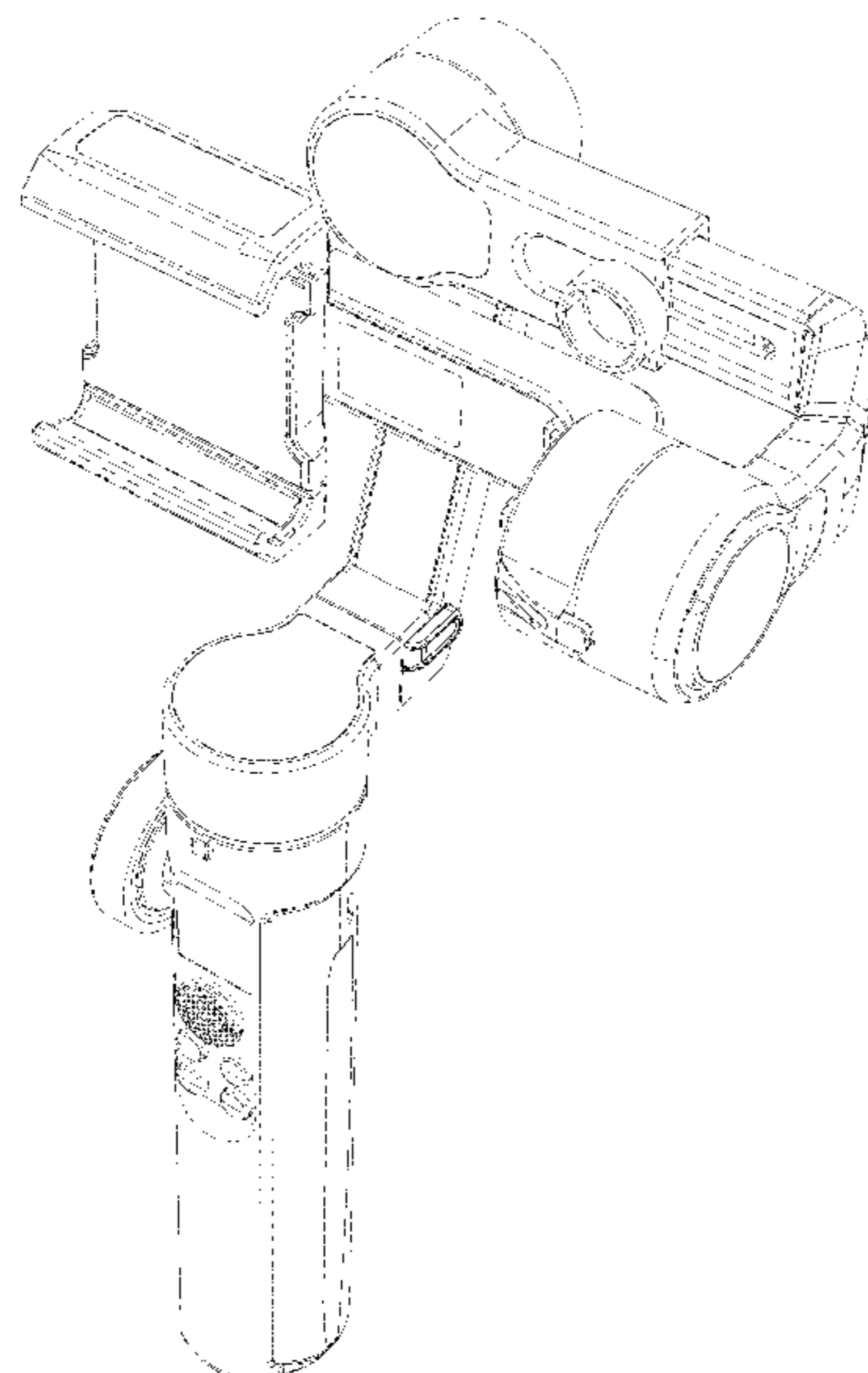
(57) **CLAIM**

The ornamental design for a three-axis stabilizer, as shown and described.

DESCRIPTION

FIG. 1 is a perspective view of a three-axis stabilizer showing our new design;
FIG. 2 is a front view thereof;
FIG. 3 is a rear view thereof;
FIG. 4 is a right side view thereof;
FIG. 5 is a left side view thereof;
FIG. 6 is a top view thereof; and,
FIG. 7 is a bottom view thereof.
The broken lines in the drawings depict portions of the three-axis stabilizer that form no part of the claimed design.

1 Claim, 7 Drawing Sheets



(56)

References Cited

U.S. PATENT DOCUMENTS

10,536,630 B2 * 1/2020 Enke F16M 11/123
D892,911 S * 8/2020 Kim D16/243
D894,257 S * 8/2020 Kim D16/243
D897,314 S * 9/2020 Ding D14/217
2017/0037995 A1 * 2/2017 Pan F16M 11/18
2017/0064176 A1 * 3/2017 Kim G02B 27/644
2017/0146892 A1 * 5/2017 Wei F16M 11/10
2017/0241589 A1 * 8/2017 Wang F16M 11/2071
2017/0307136 A1 * 10/2017 Wei F16M 13/04
2018/0031951 A1 * 2/2018 Wang F16M 11/123

* cited by examiner

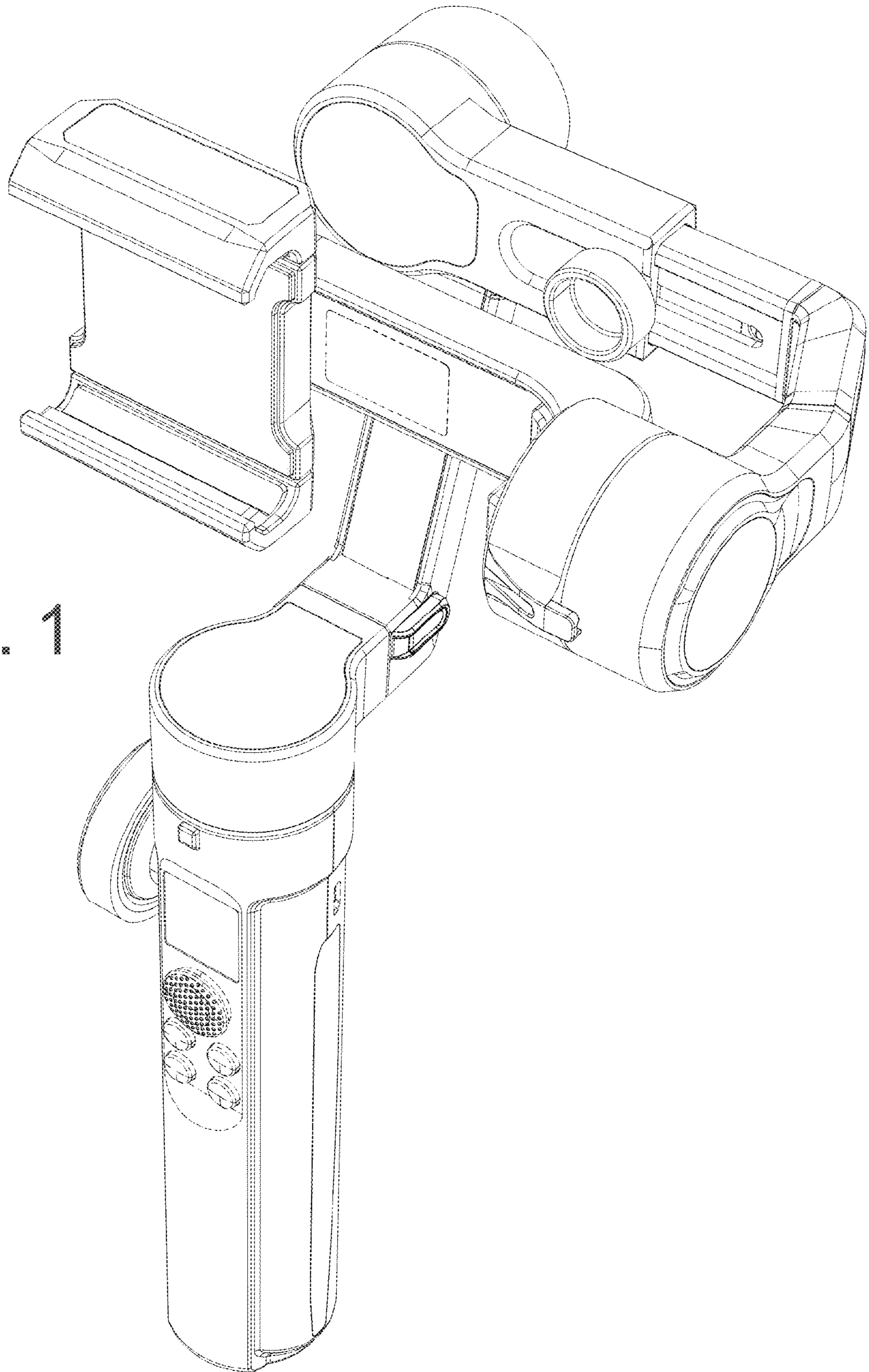


FIG. 1

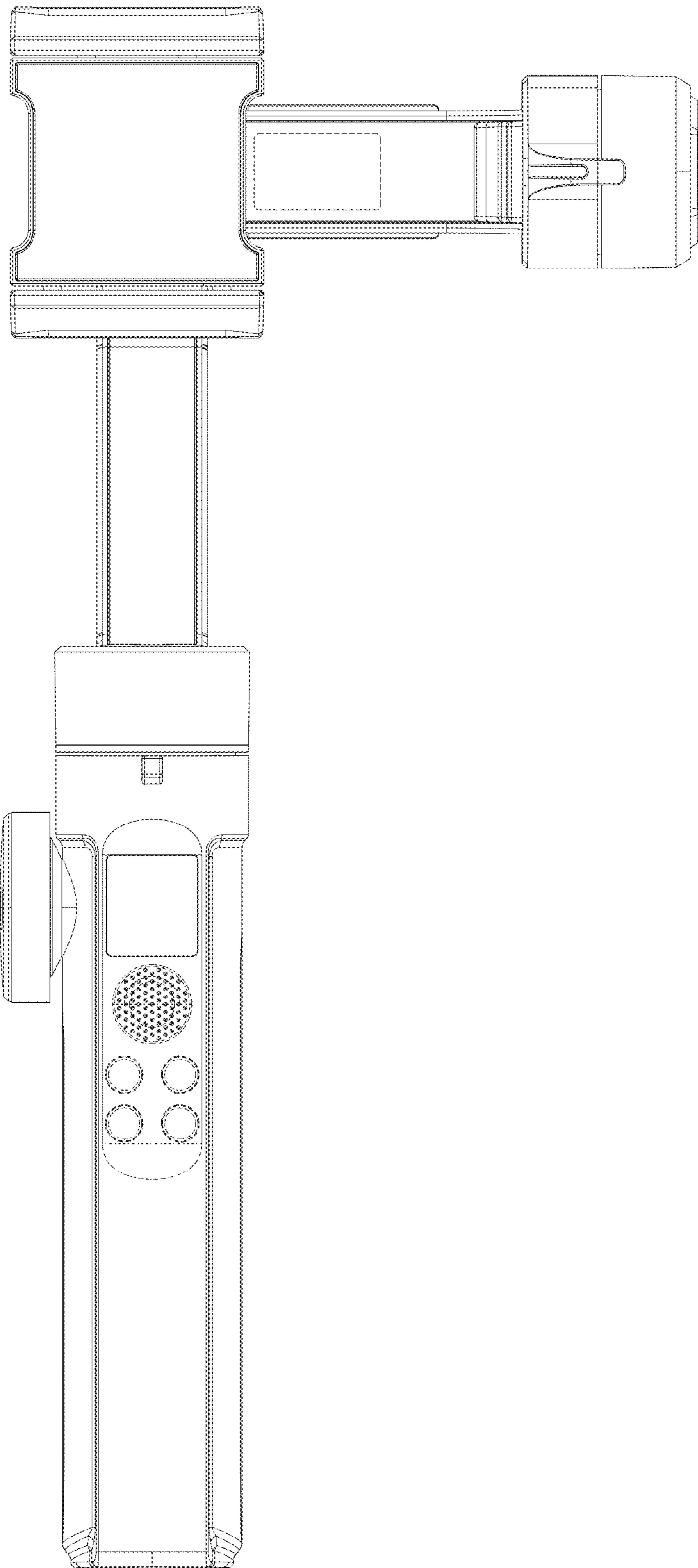


FIG. 2

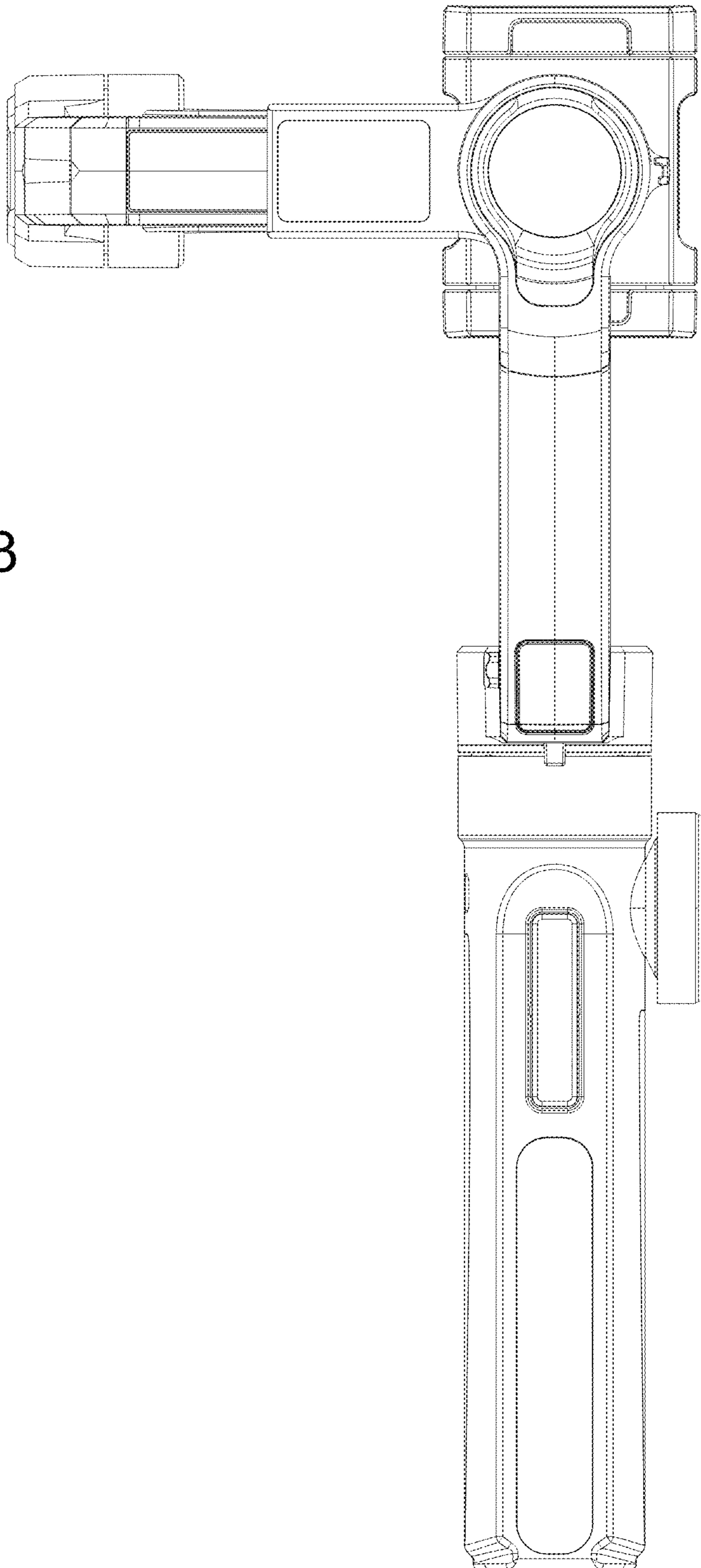
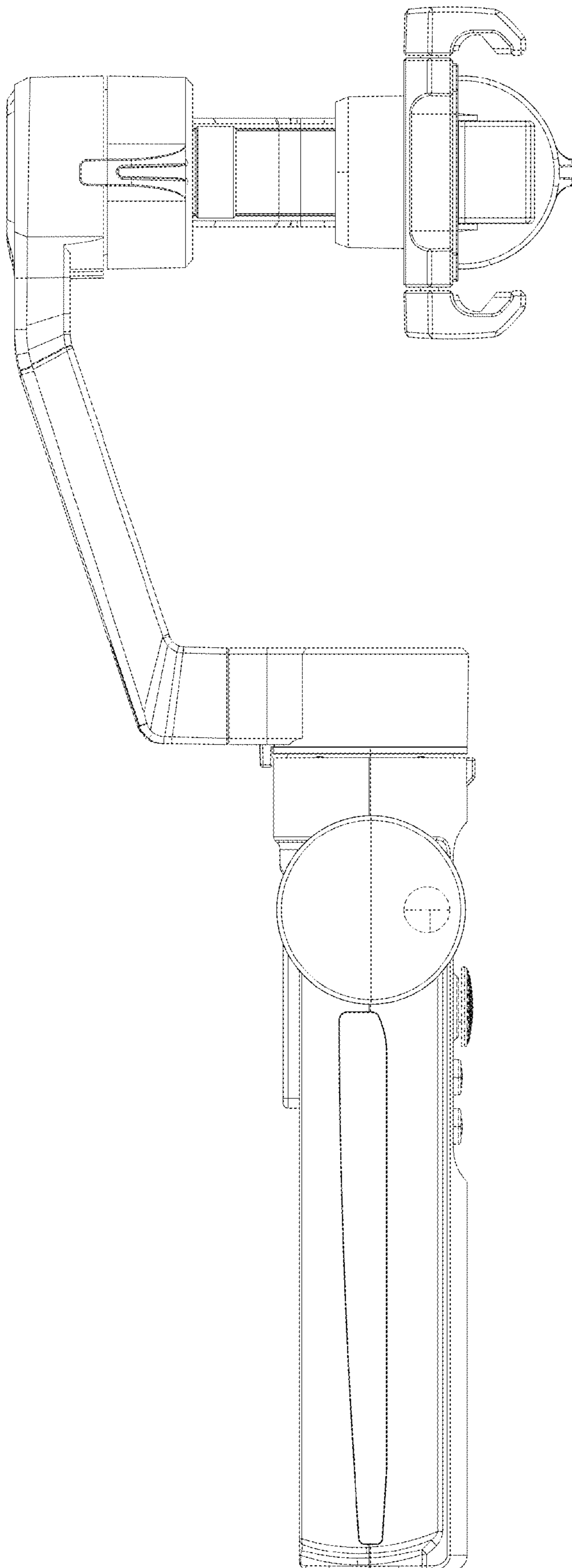


FIG. 3

FIG. 4



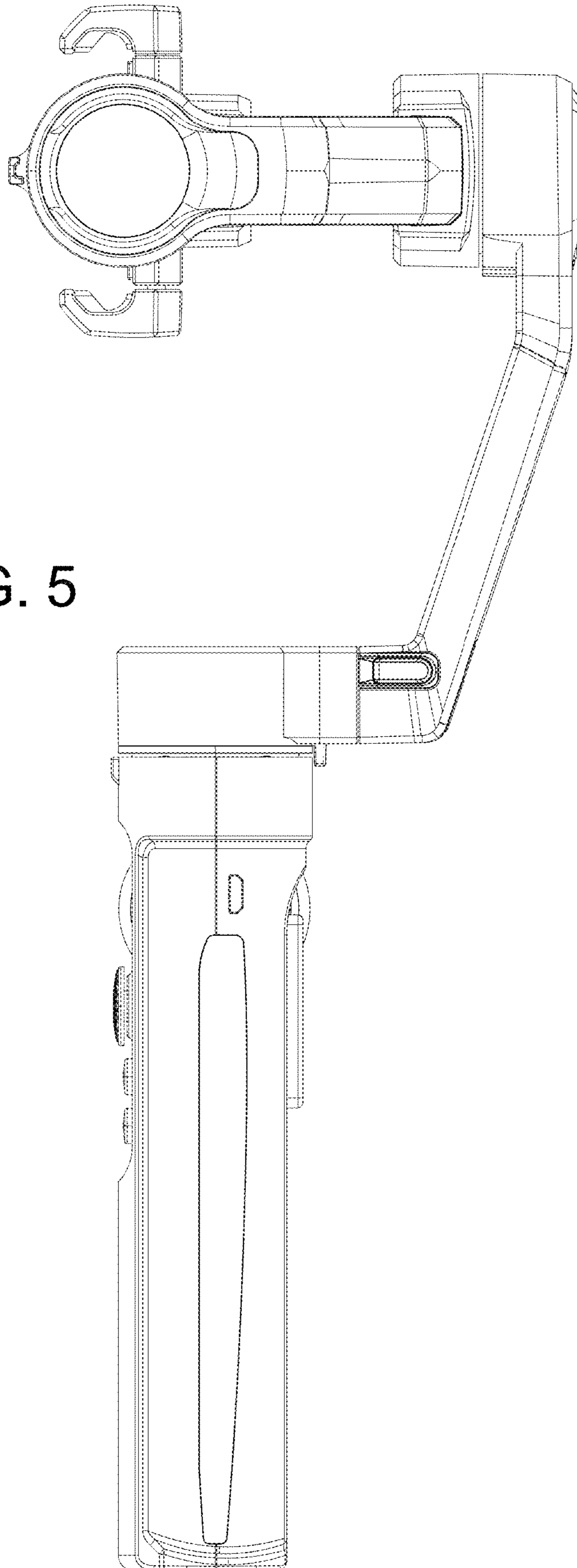


FIG. 5

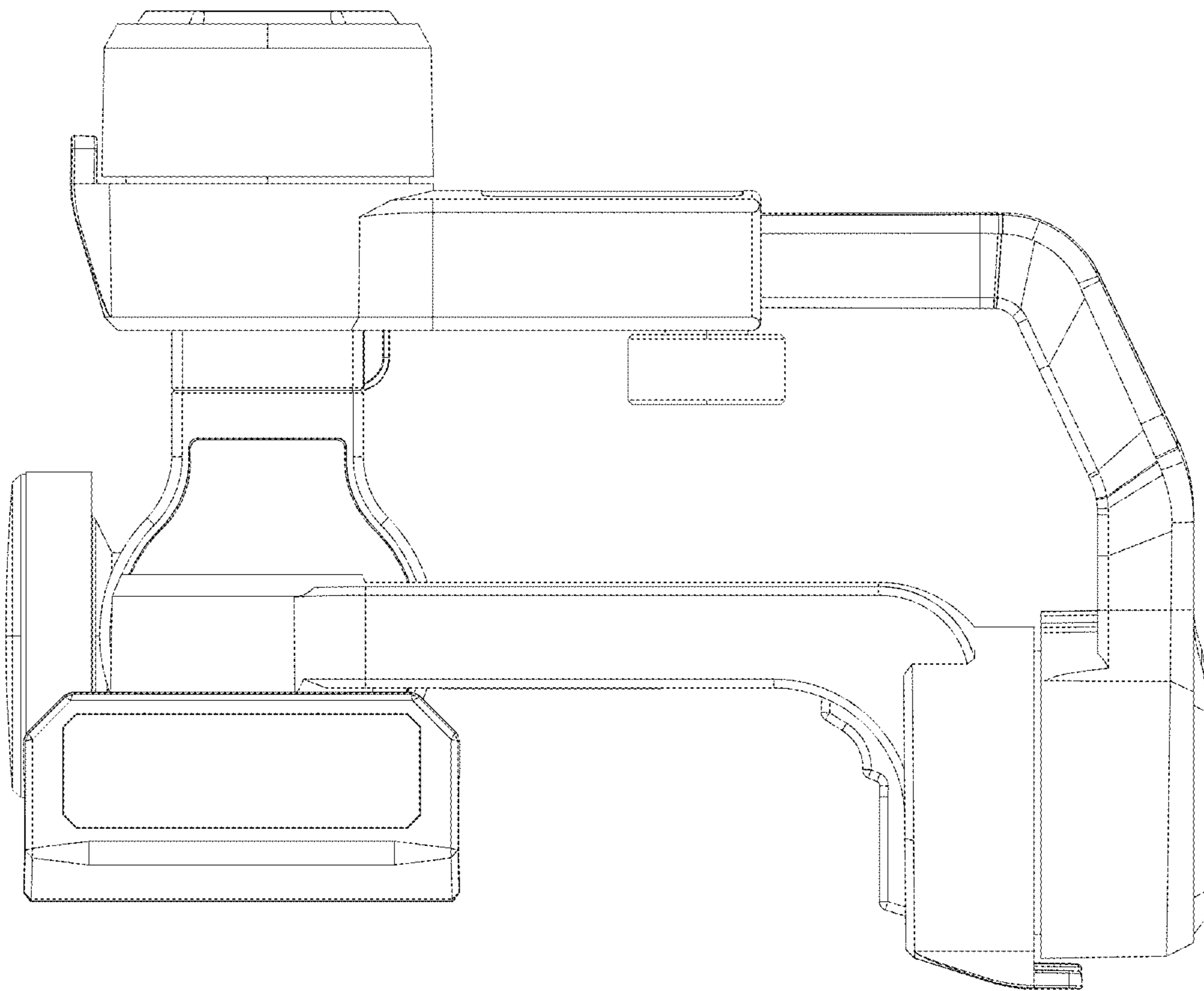


FIG. 6

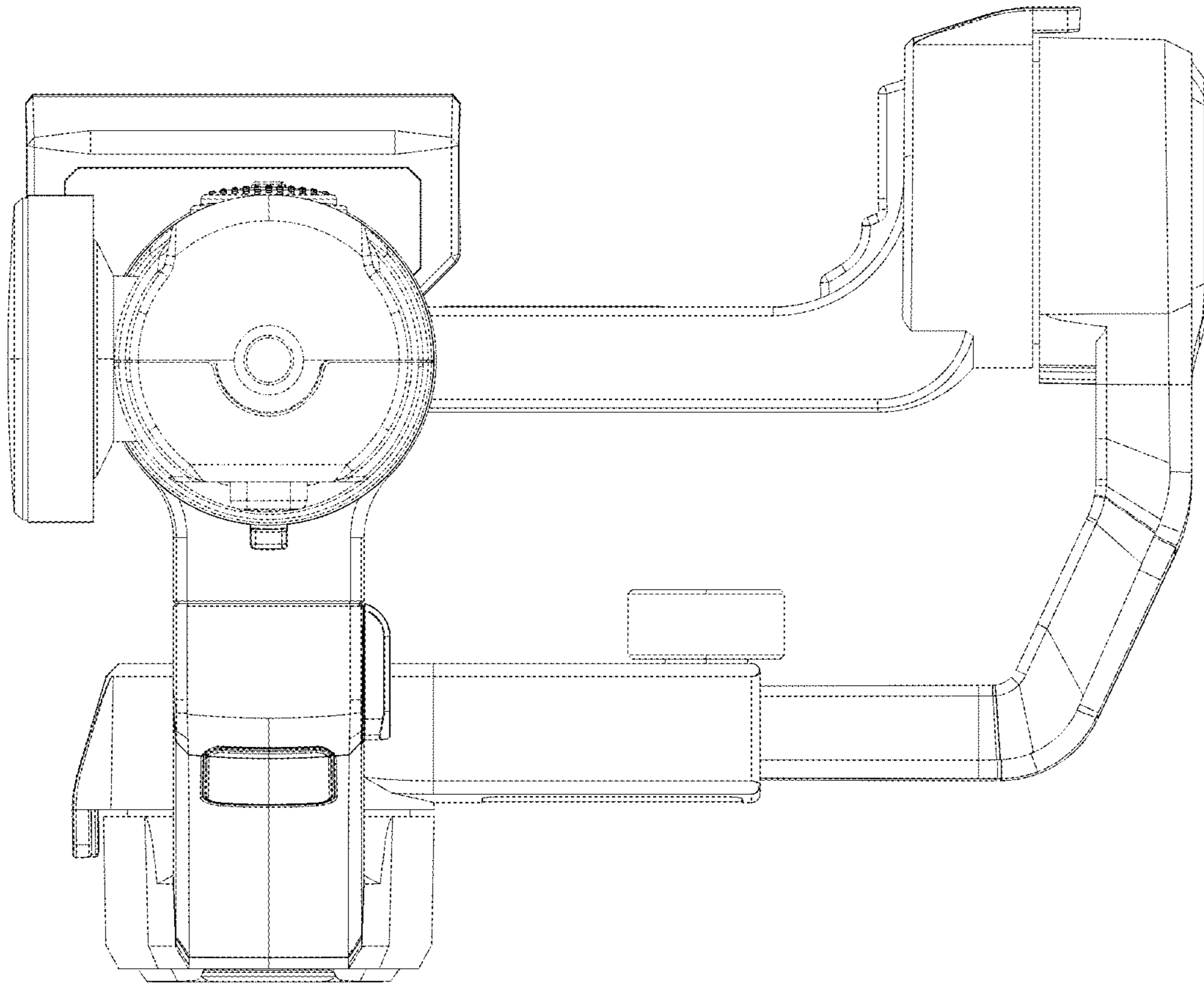


FIG. 7