



US00D929490S

(12) **United States Design Patent**
Miyazawa

(10) **Patent No.:** **US D929,490 S**

(45) **Date of Patent:** **** Aug. 31, 2021**

(54) **CAMERA LENS**

D855,680 S * 8/2019 Ruff D16/219
D881,260 S * 4/2020 Ikegame D16/219
D882,668 S * 4/2020 Ikegame D16/219

(71) Applicant: **CANON KABUSHIKI KAISHA,**
Tokyo (JP)

FOREIGN PATENT DOCUMENTS

(72) Inventor: **Yoshihiro Miyazawa,** Tokyo (JP)

JP 1439775 S 5/2012

(**) Term: **15 Years**

OTHER PUBLICATIONS

(21) Appl. No.: **35/508,840**

Copending, unpublished Design U.S. Appl. No. 35/507,345, filed Feb. 26, 2019, to Yoshihiro Miyazawa, et al.

(22) Filed: **Sep. 17, 2019**

Japanese Office Action issued in Japanese Application No. 2019-005894, dated Sep. 3, 2019.

(80) **Hague Agreement Data**

Japanese Office Action issued in Japanese Application No. 2019-005895, dated Sep. 3, 2019.

Int. Filing Date: **Sep. 17, 2019**

Japanese Office Action issued in Japanese Application No. 2019-005896, dated Sep. 3, 2019.

Int. Reg. No.: **DM/204844**

Int. Reg. Date: **Sep. 17, 2019**

* cited by examiner

Int. Reg. Pub. Date: **Mar. 20, 2020**

Primary Examiner — Holly E Thurman

(30) **Foreign Application Priority Data**

Mar. 20, 2019 (JP) 2019-005895

Mar. 20, 2019 (JP) 2019-005896

(51) **LOC (13) Cl.** **16-05**

(52) **U.S. Cl.**

USPC **D16/219**

(58) **Field of Classification Search**

USPC D16/134, 136, 200, 213, 218, 219, 220,
D16/242, 245

CPC G02B 7/00; G02B 7/026; G02B 23/16;
G03B 7/00; G03B 17/02

See application file for complete search history.

(56) **References Cited**

U.S. PATENT DOCUMENTS

D433,044 S * 10/2000 Nagaoka D16/134

D448,396 S 9/2001 Miyazawa

D548,260 S * 8/2007 Nakamura D16/134

D682,911 S 5/2013 Ohashi

D781,949 S * 3/2017 Lee D16/219

D786,954 S * 5/2017 Tagawa D16/219

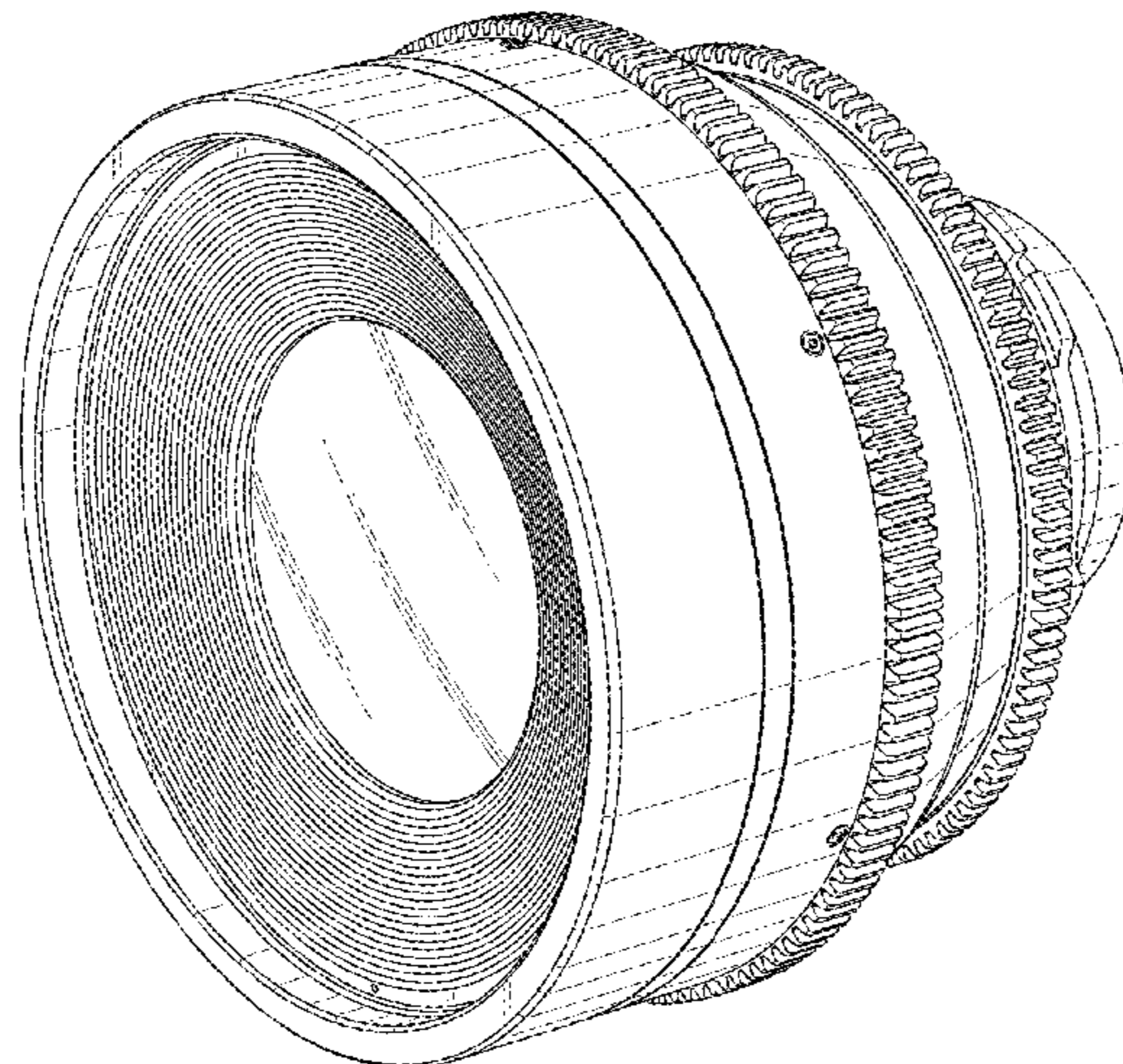
(57) **CLAIM**

The ornamental design for a camera lens, as shown and described.

DESCRIPTION

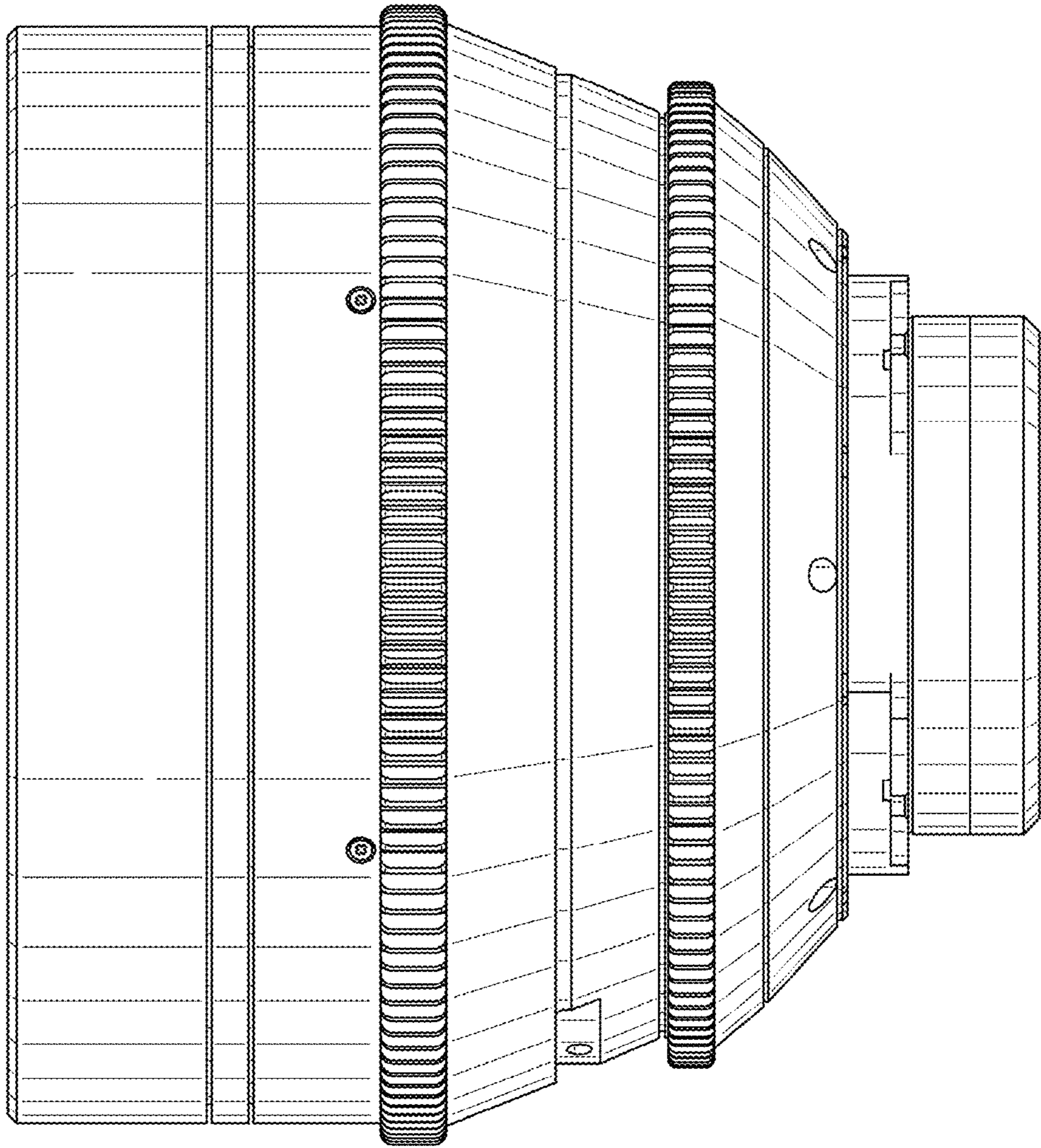
- 1.1 : Front
- 1.2 : Back
- 1.3 : Top
- 1.4 : Bottom
- 1.5 : Left
- 1.6 : Right
- 1.7 : Perspective
- 2.1 : Front
- 2.2 : Back
- 2.3 : Top
- 2.4 : Bottom
- 2.5 : Left
- 2.6 : Right
- 2.7 : Perspective

(Continued)

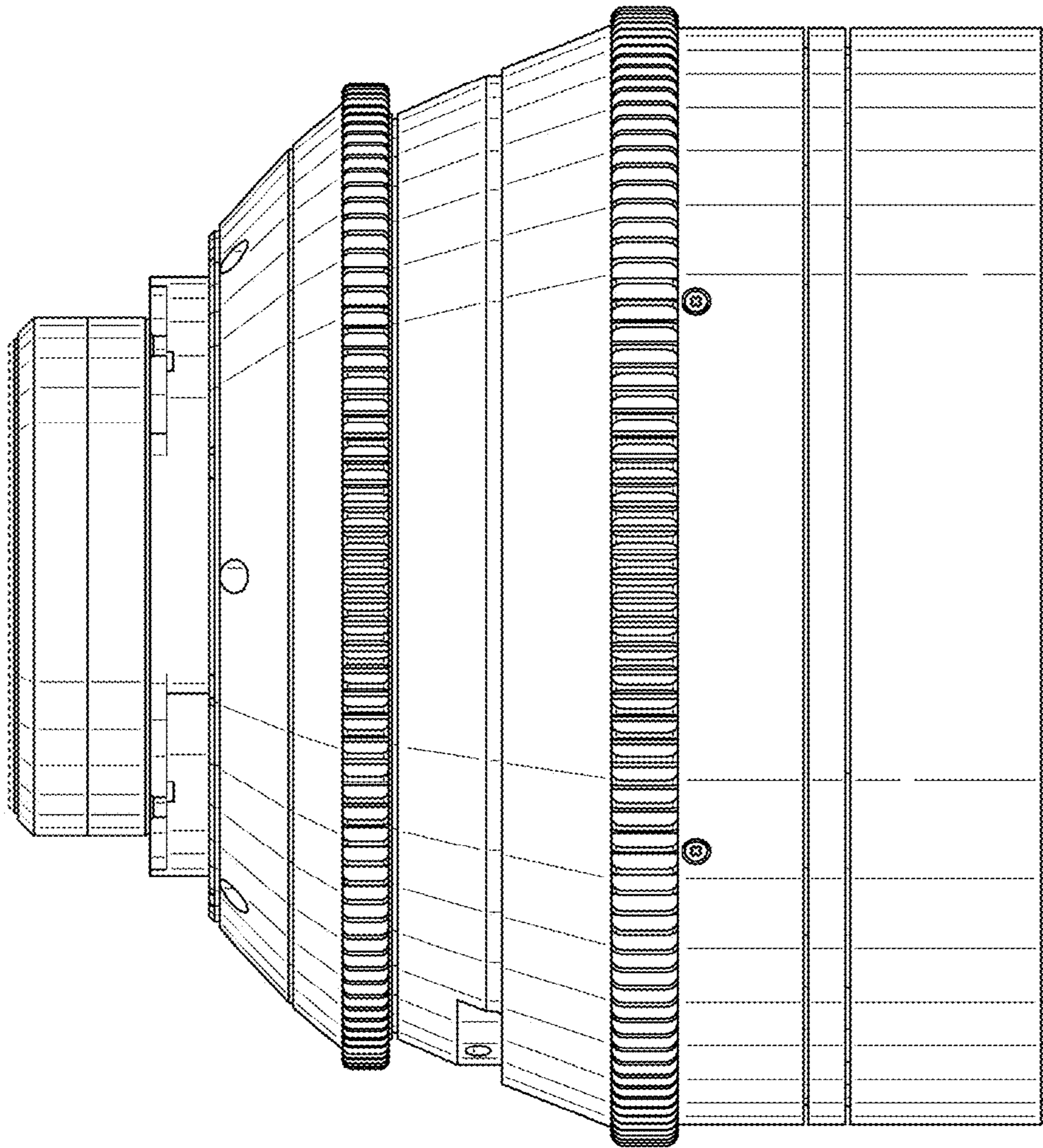


The broken lines in the drawings illustrate portions of the camera lens that form no part of the claimed design.

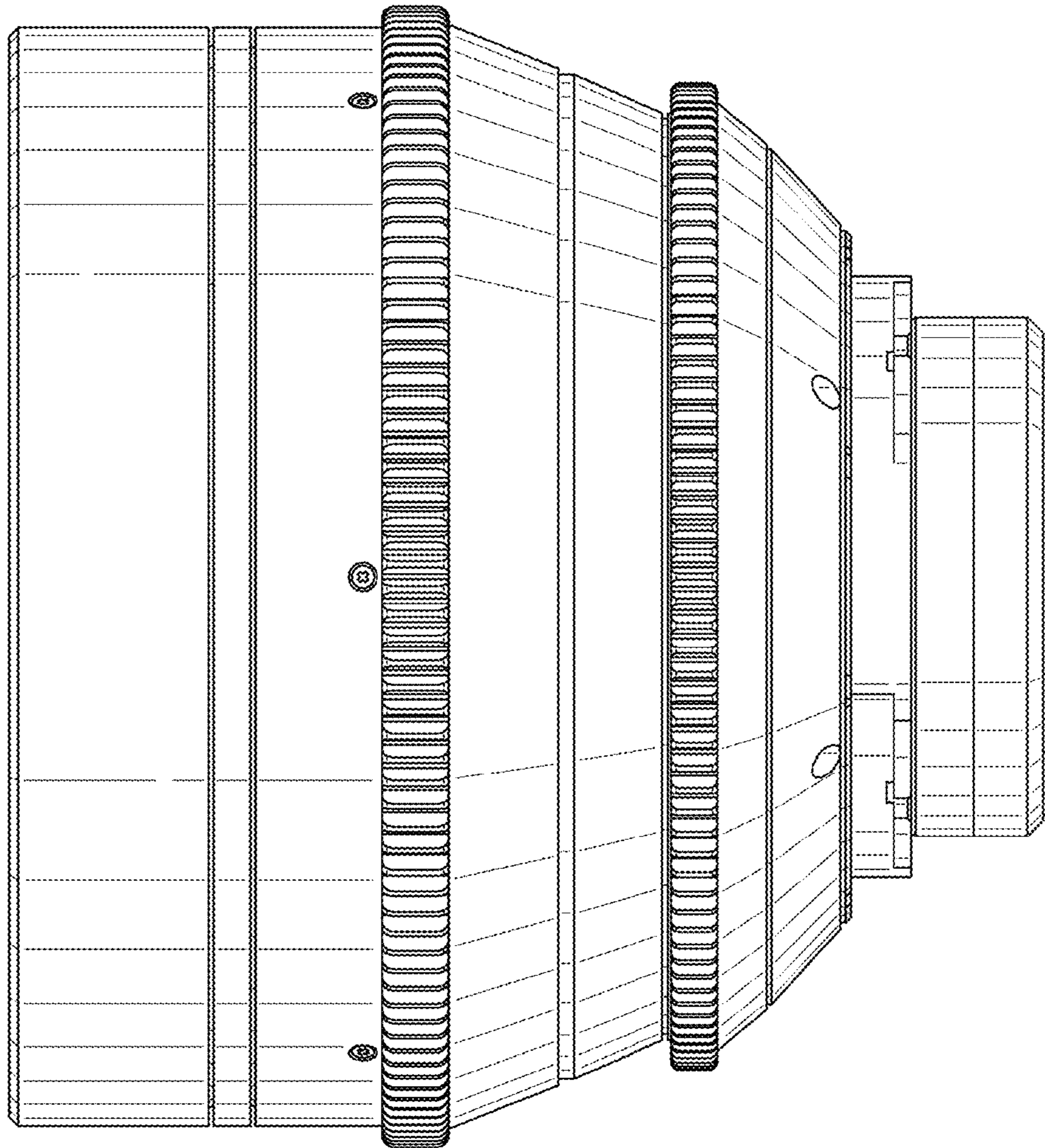
1 Claim, 14 Drawing Sheets



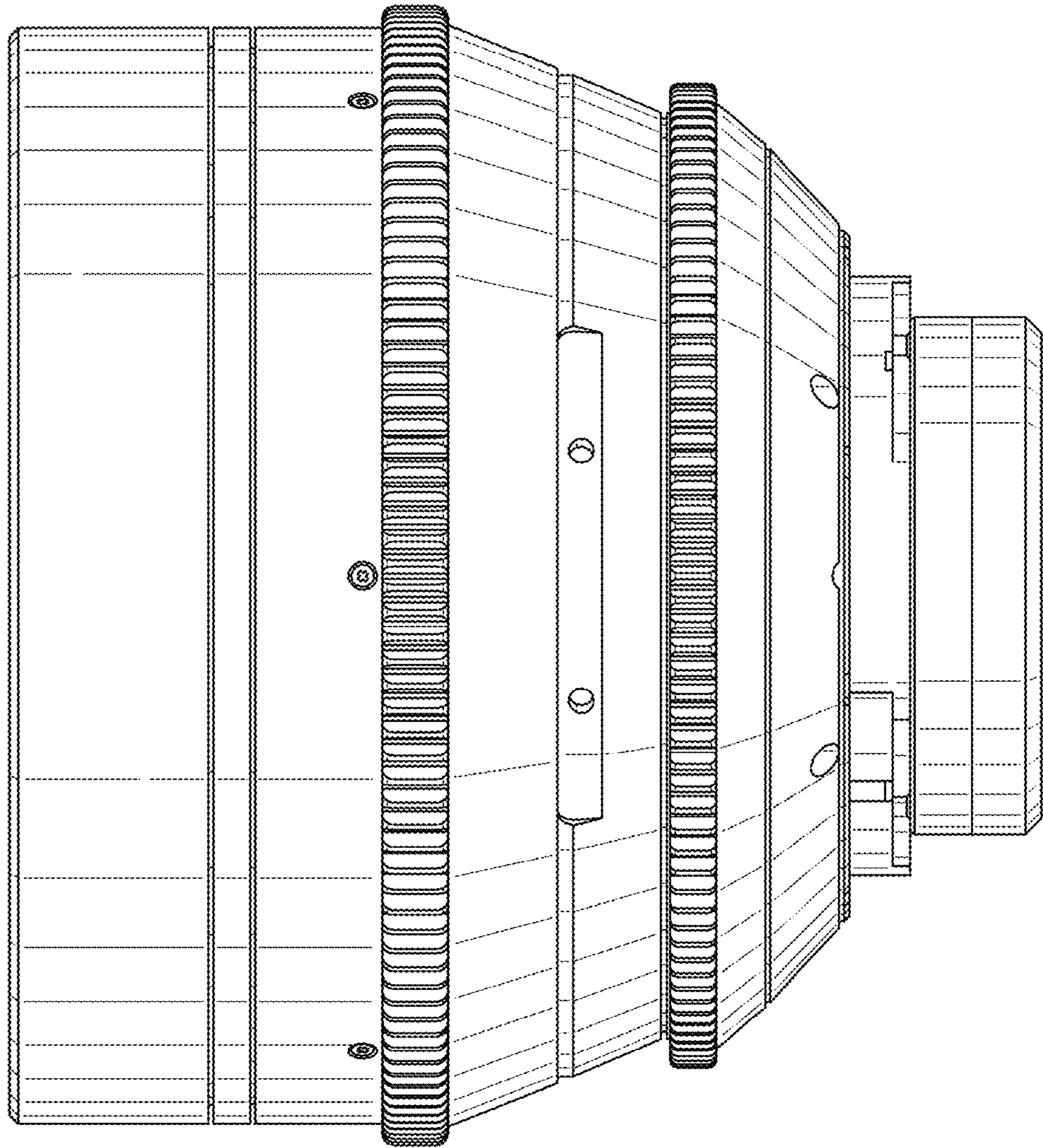
1.1



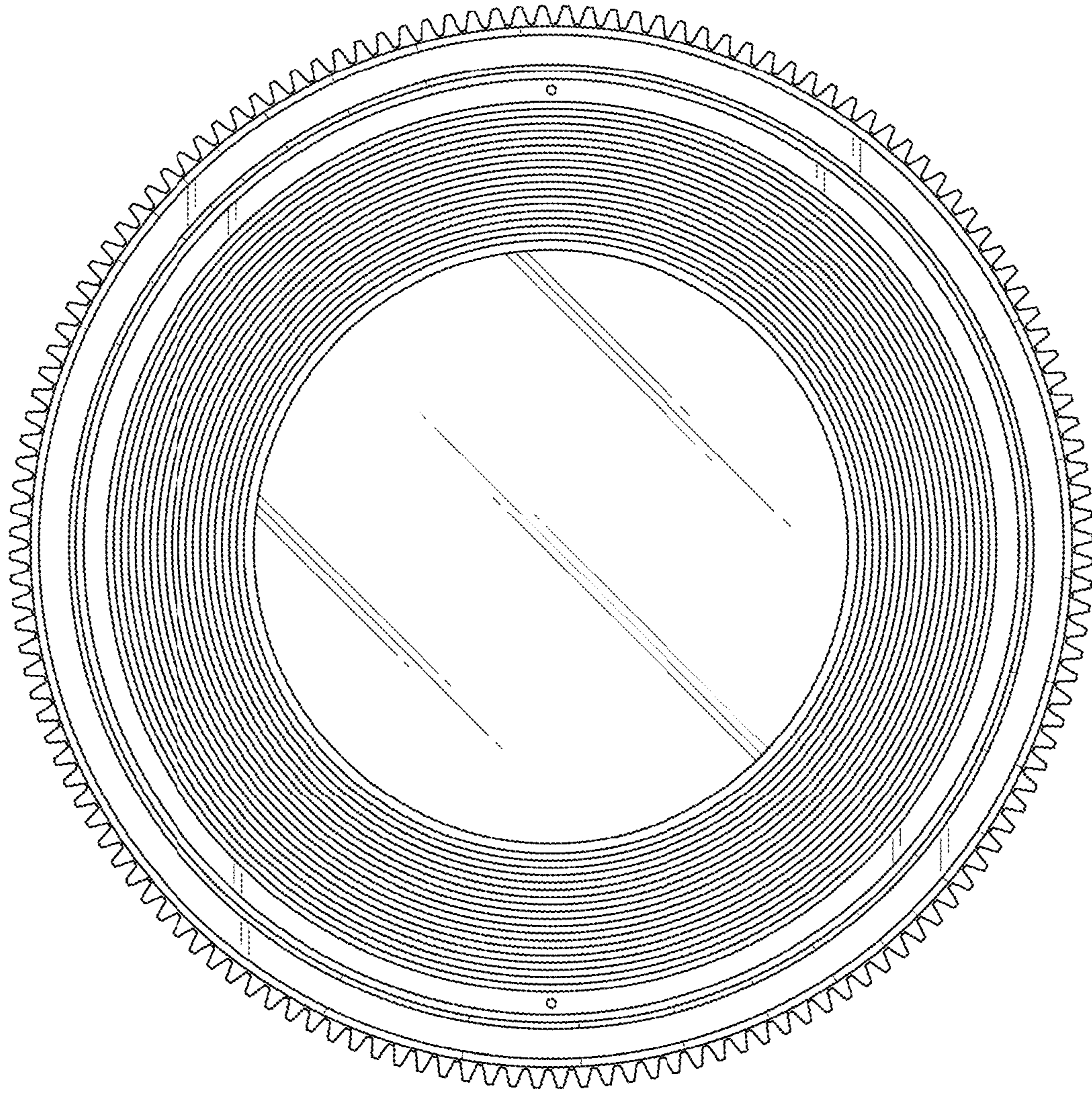
1.2



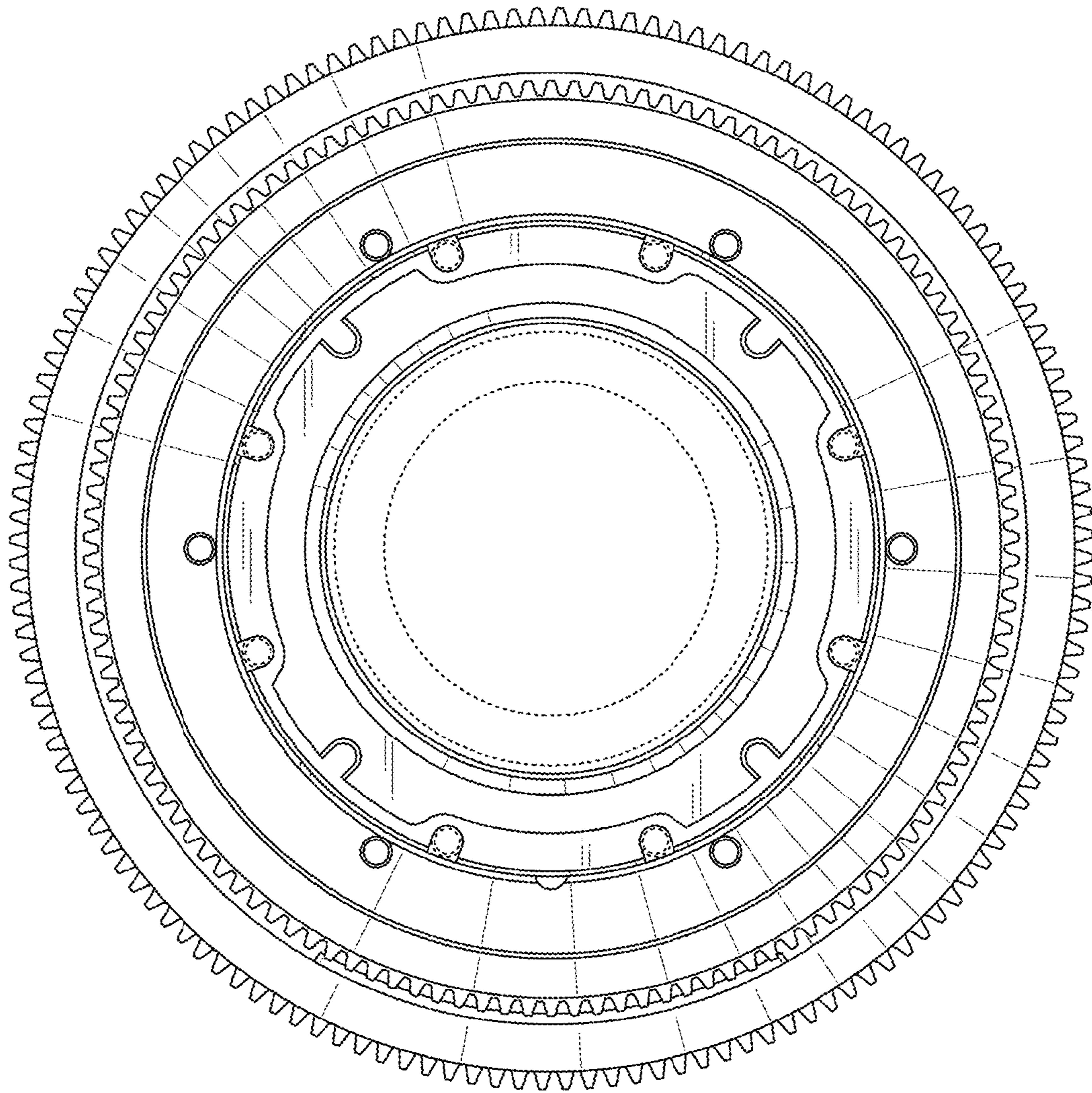
1.3



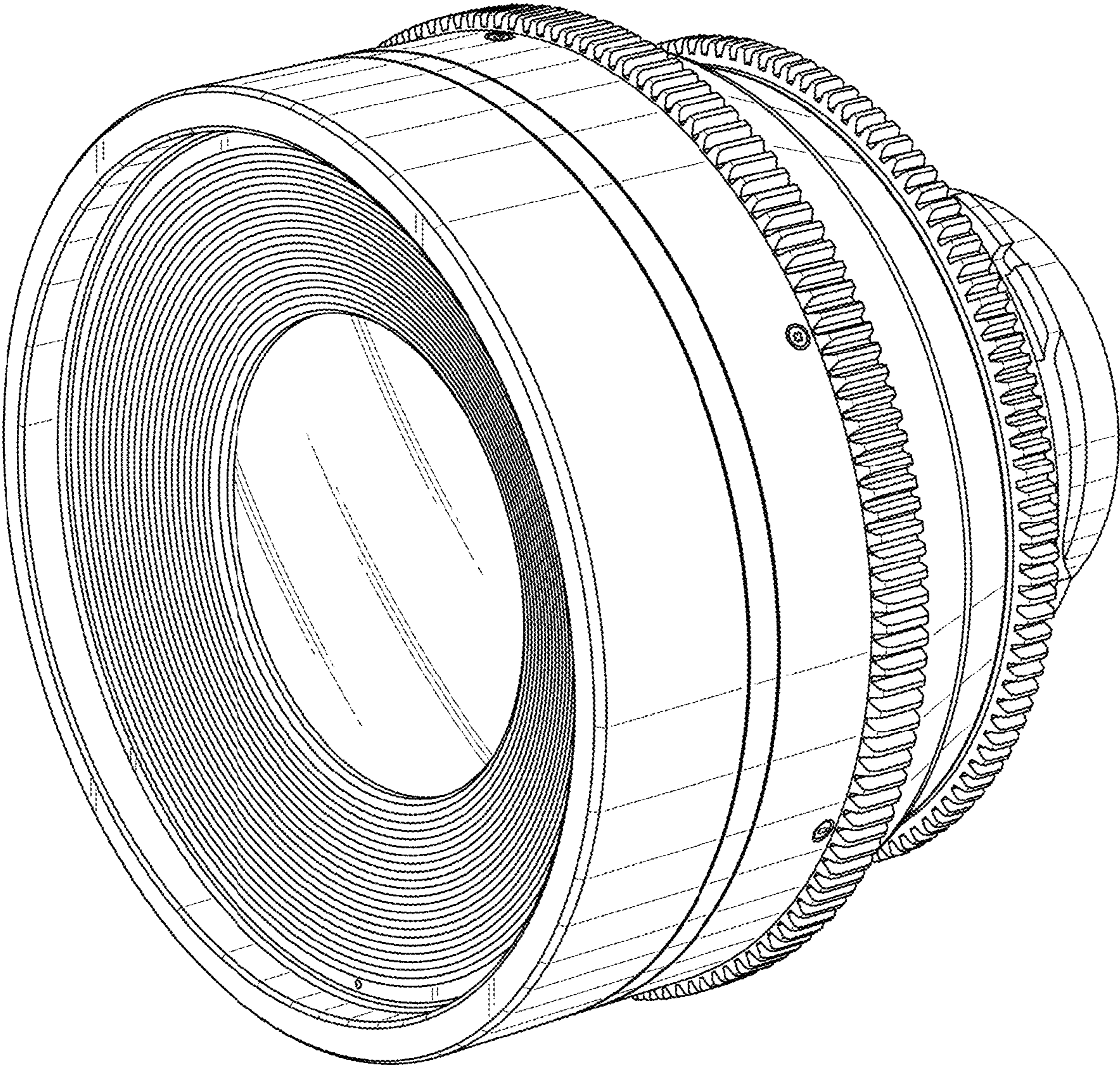
1.4



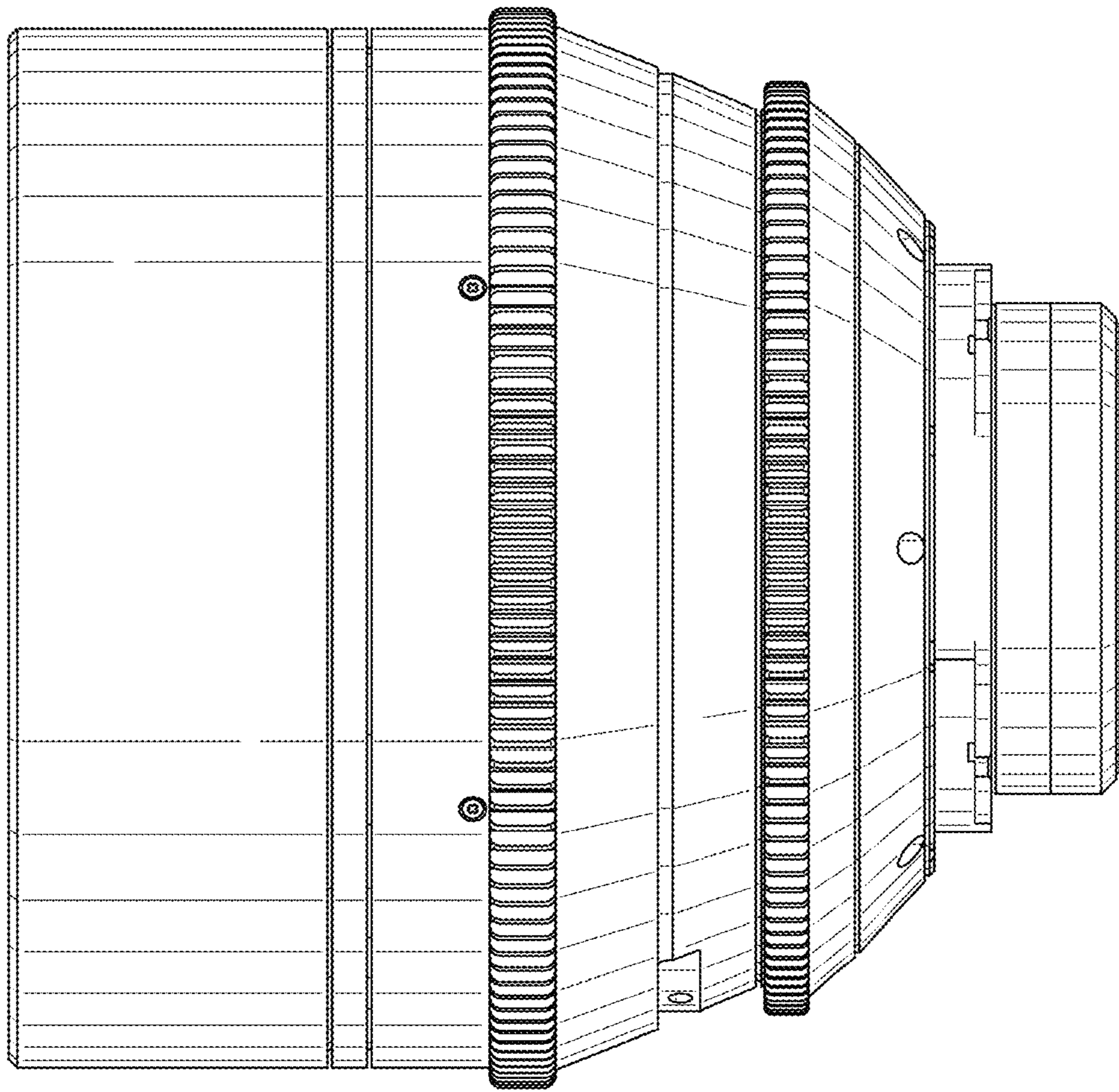
1.5



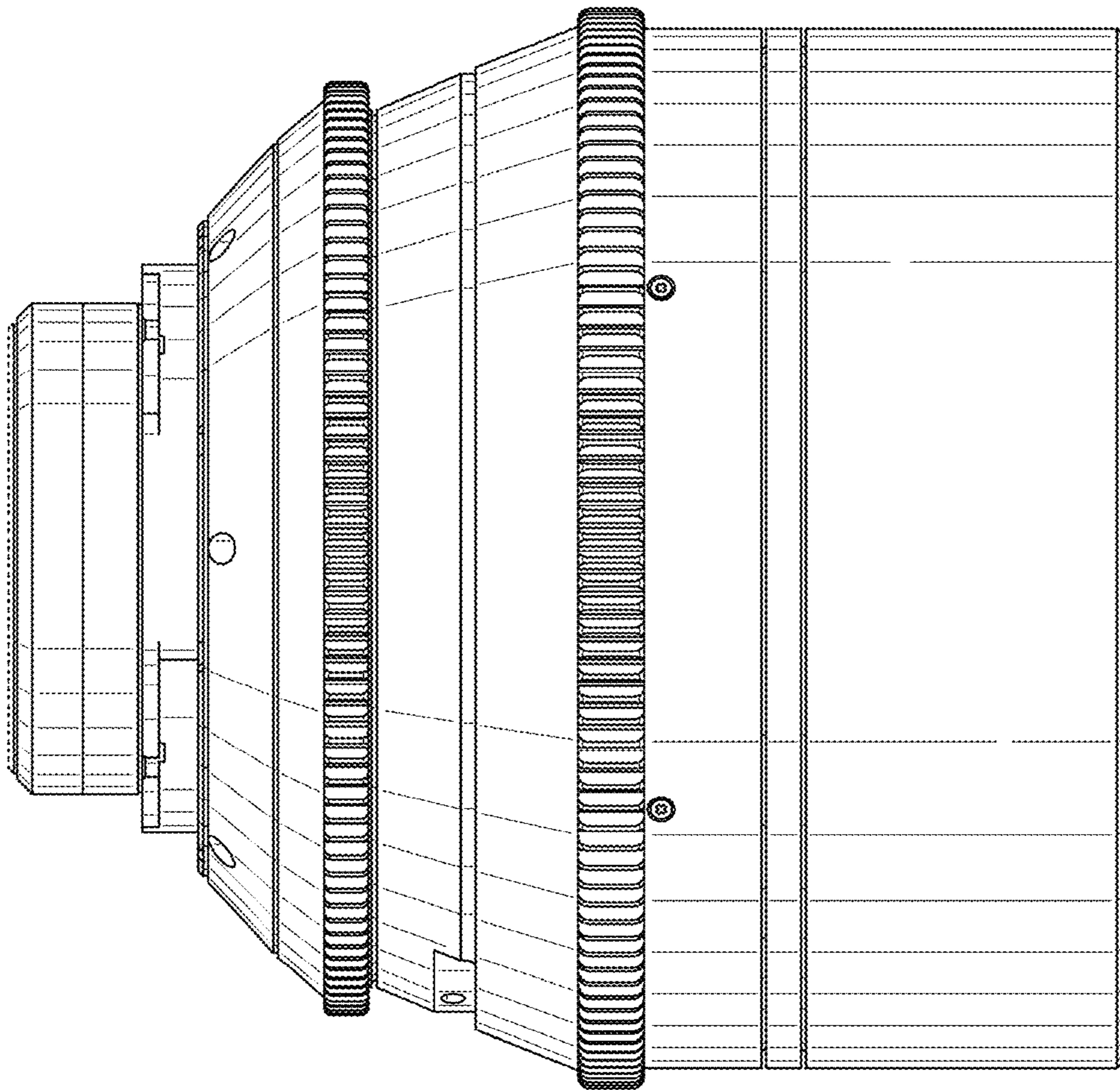
1.6



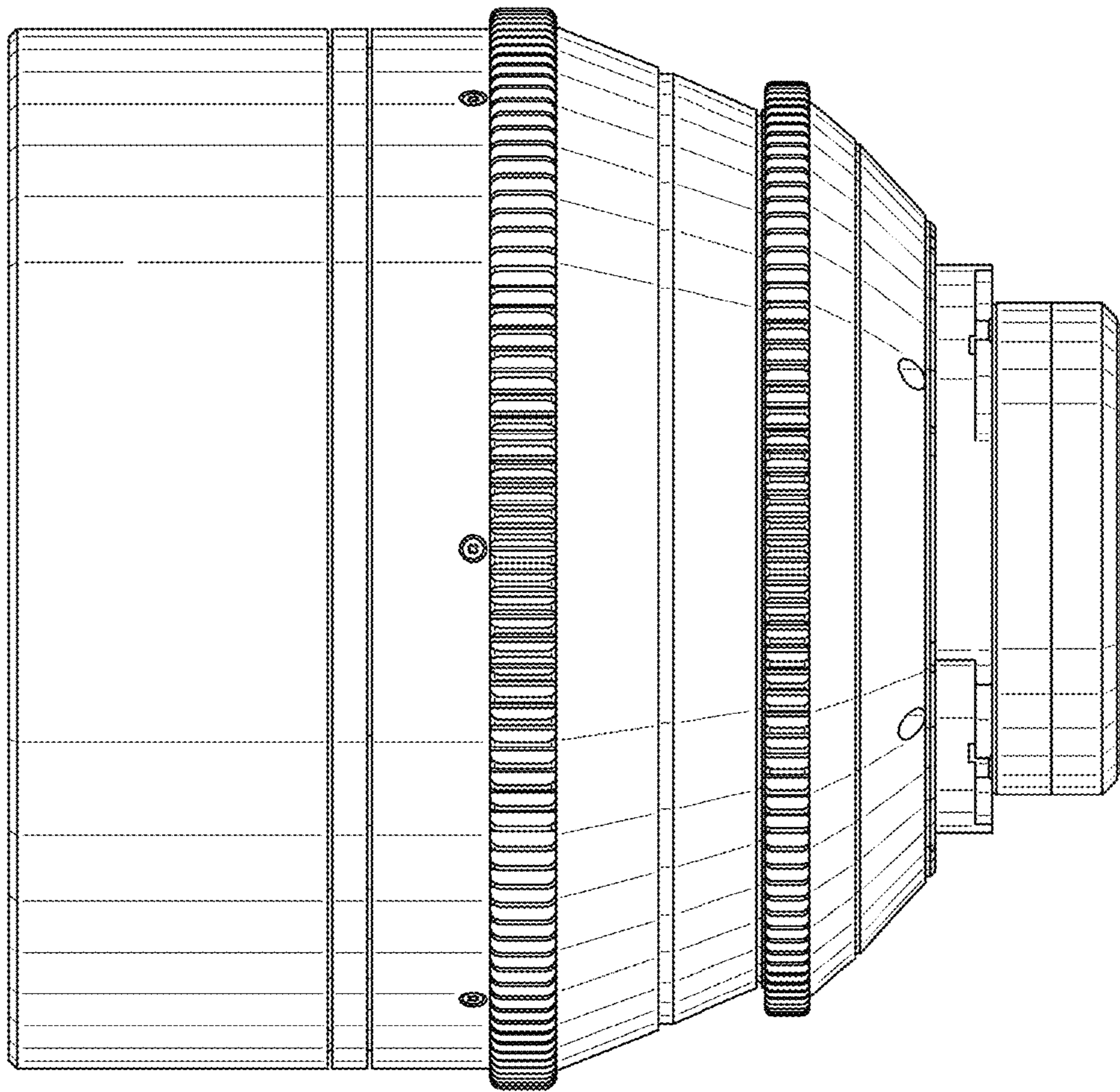
1.7



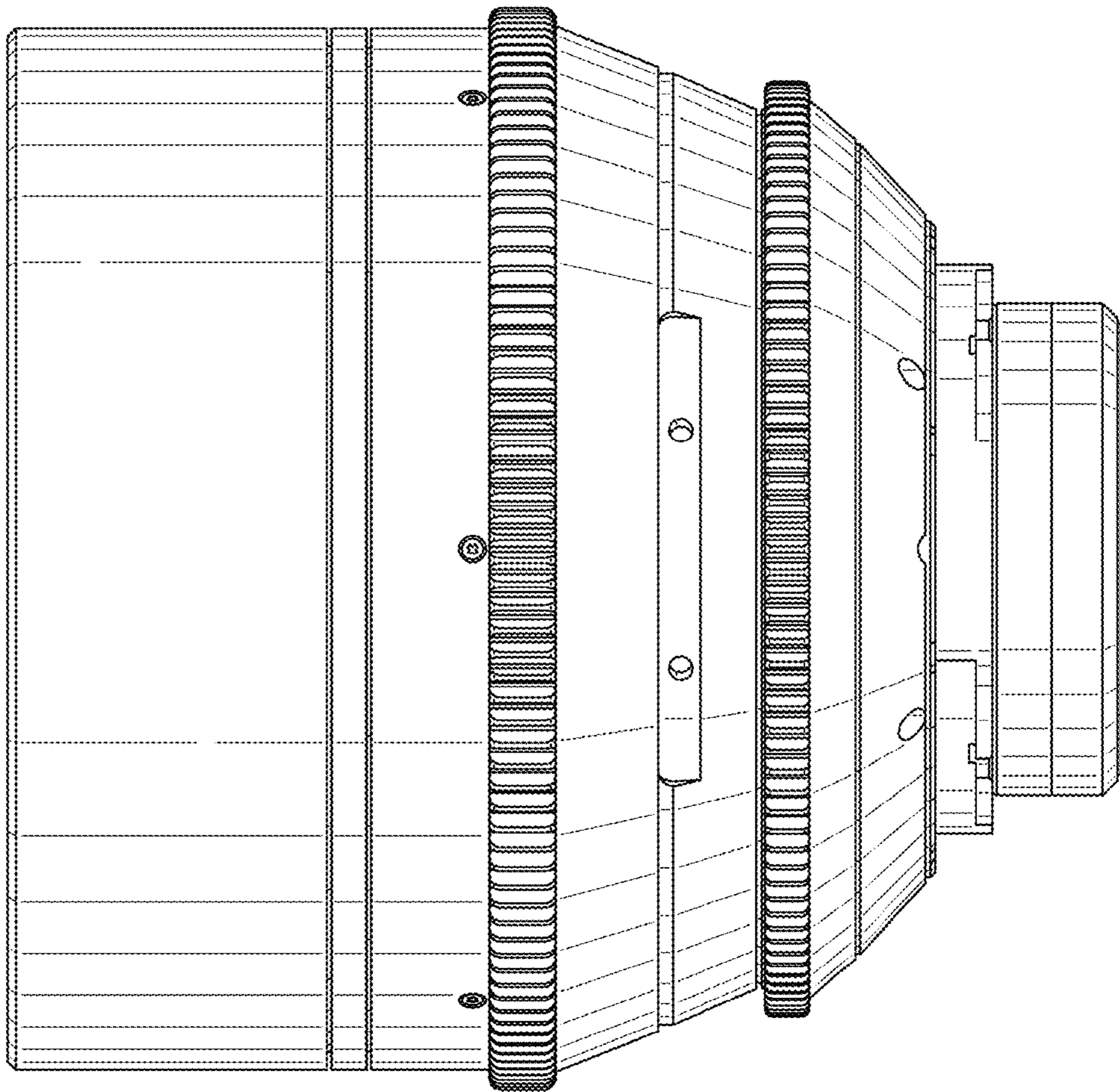
2.1



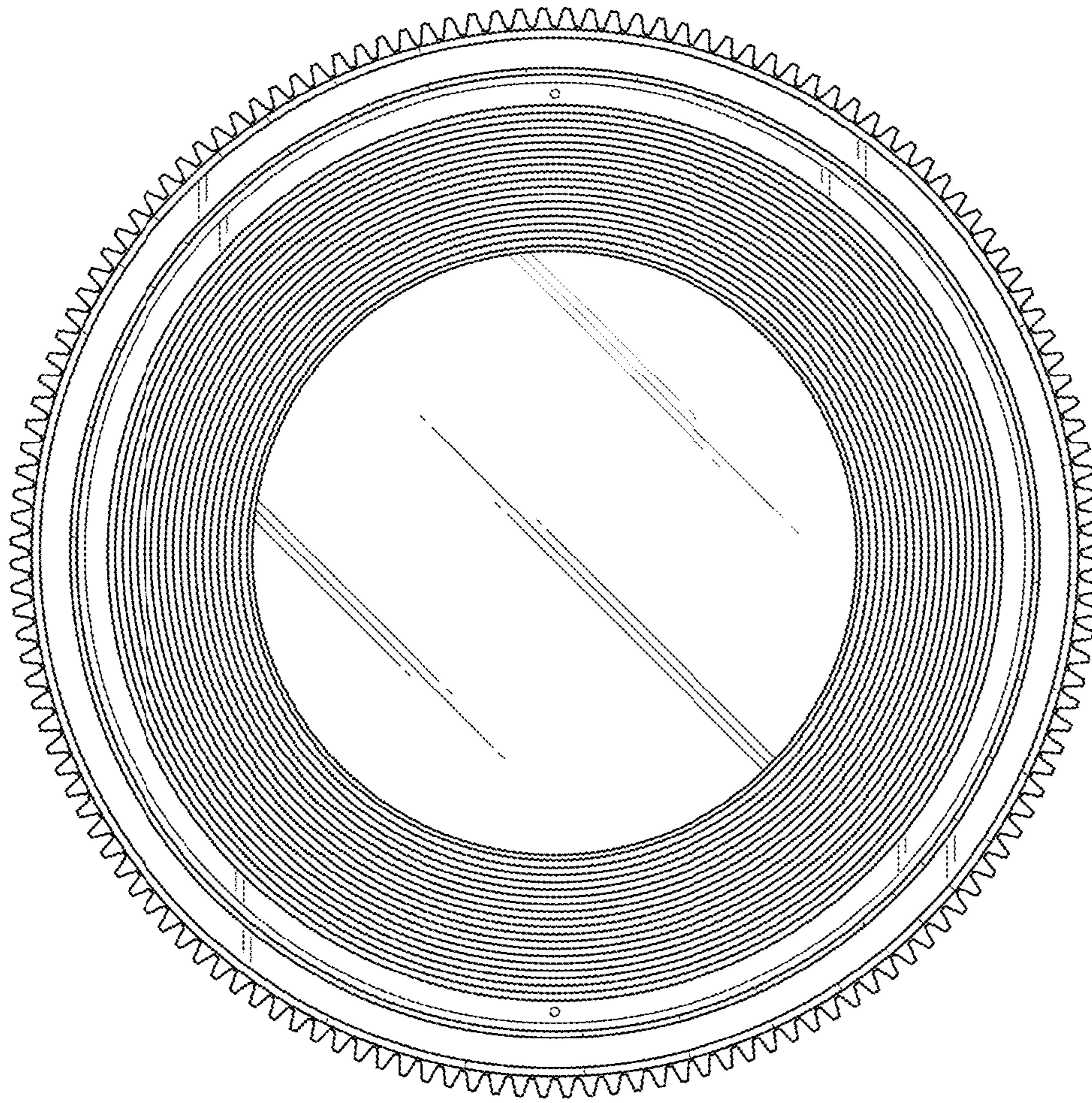
2.2



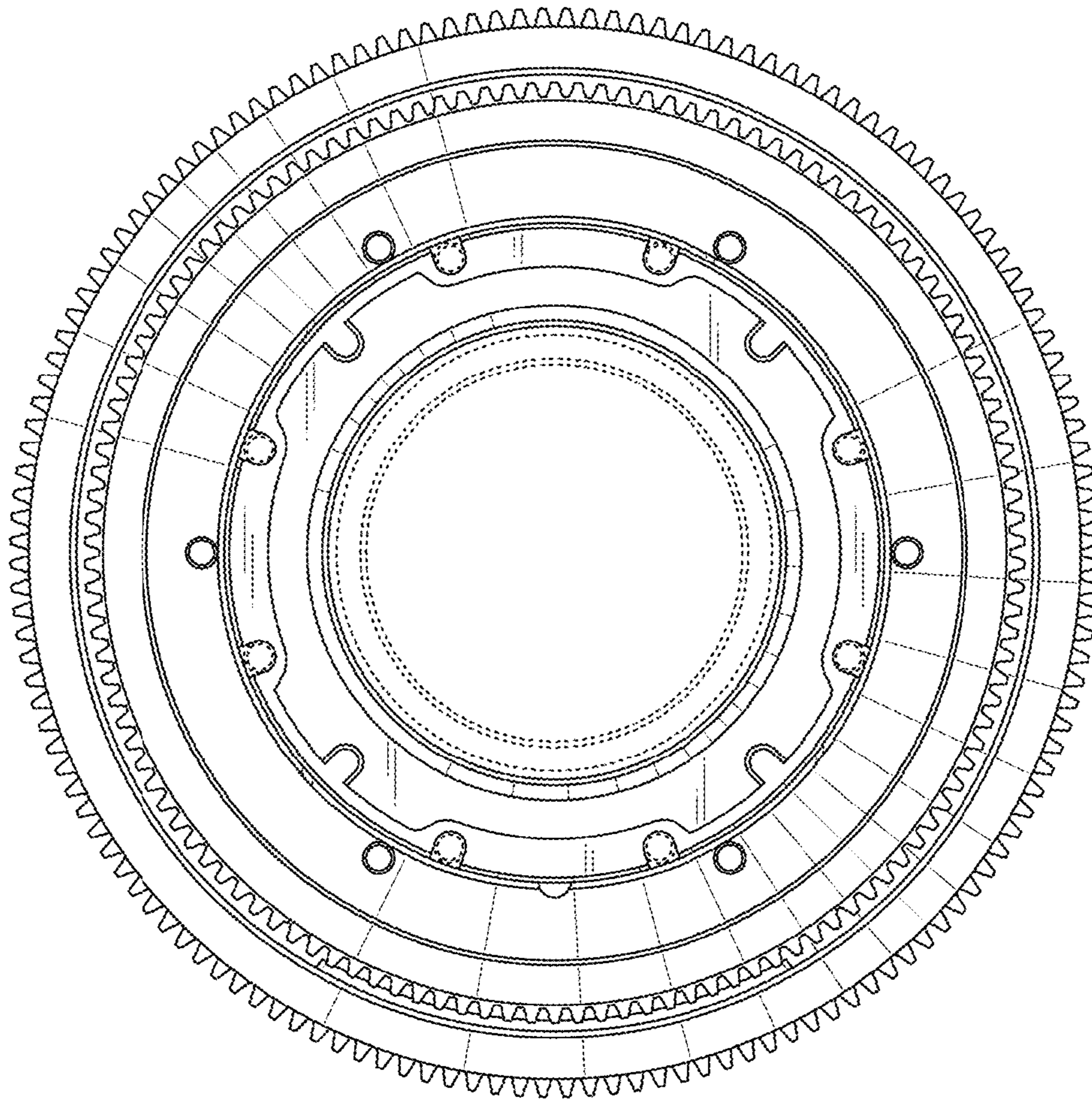
2.3



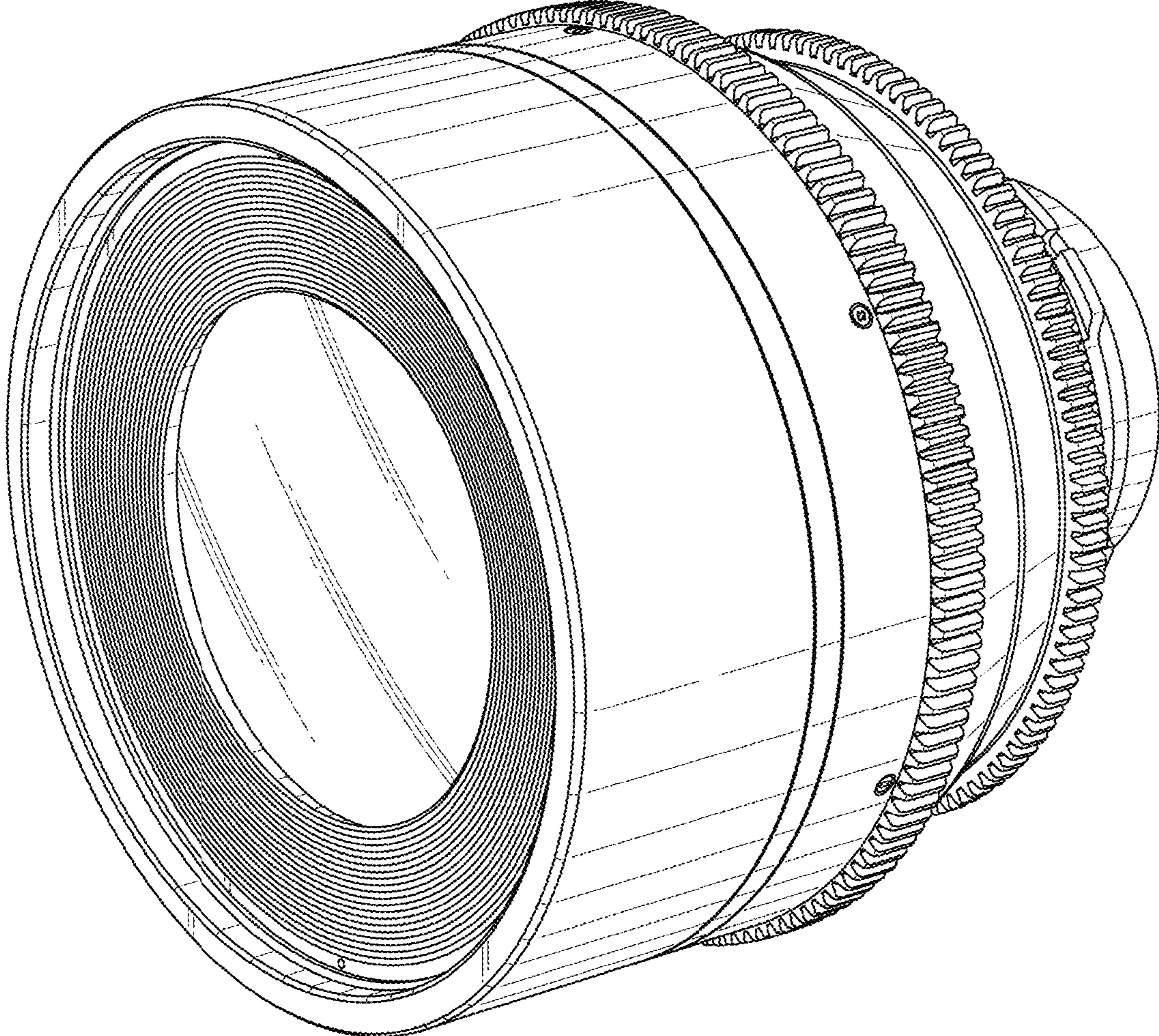
2.4



2.5



2.6



2.7