



US00D929489S

(12) **United States Design Patent**  
**Coster et al.**

(10) **Patent No.:** **US D929,489 S**

(45) **Date of Patent:** **\*\* Aug. 31, 2021**

(54) **CAMERA HOUSING**  
(71) Applicant: **GoPro, Inc.**, San Mateo, CA (US)  
(72) Inventors: **Daniel J. Coster**, San Francisco, CA (US); **Bessy Liang**, San Jose, CA (US); **Huy Phuong Nguyen**, San Mateo, CA (US); **John George Muhlenkamp, IV**, Brisbane, CA (US); **Jordan Todd**, Piedmont, CA (US)

(73) Assignee: **GoPro, Inc.**, San Mateo, CA (US)

(\*\*) Term: **15 Years**

(21) Appl. No.: **29/771,317**

(22) Filed: **Feb. 22, 2021**

**Related U.S. Application Data**

(62) Division of application No. 29/705,667, filed on Sep. 13, 2019, now Pat. No. Des. 911,411.

(51) **LOC (13) Cl.** ..... **16-05**

(52) **U.S. Cl.**  
USPC ..... **D16/219**

(58) **Field of Classification Search**  
USPC ..... D16/200, 202-208, 218, 219, 242;  
348/164, 373-376; 396/448, 535,  
396/539-541  
CPC ..... G03B 17/02; G03B 19/04; G03B 17/56;  
G03B 17/04; G03B 15/03; H04N 5/2251;  
H04N 5/2252; H04N 5/2253; H04N  
5/2254; H04N 7/181; H04N 7/183; H04N  
7/18; G08B 13/1963; G08B 13/19619;  
G08B 13/19632; F16M 11/04; F16M  
13/00

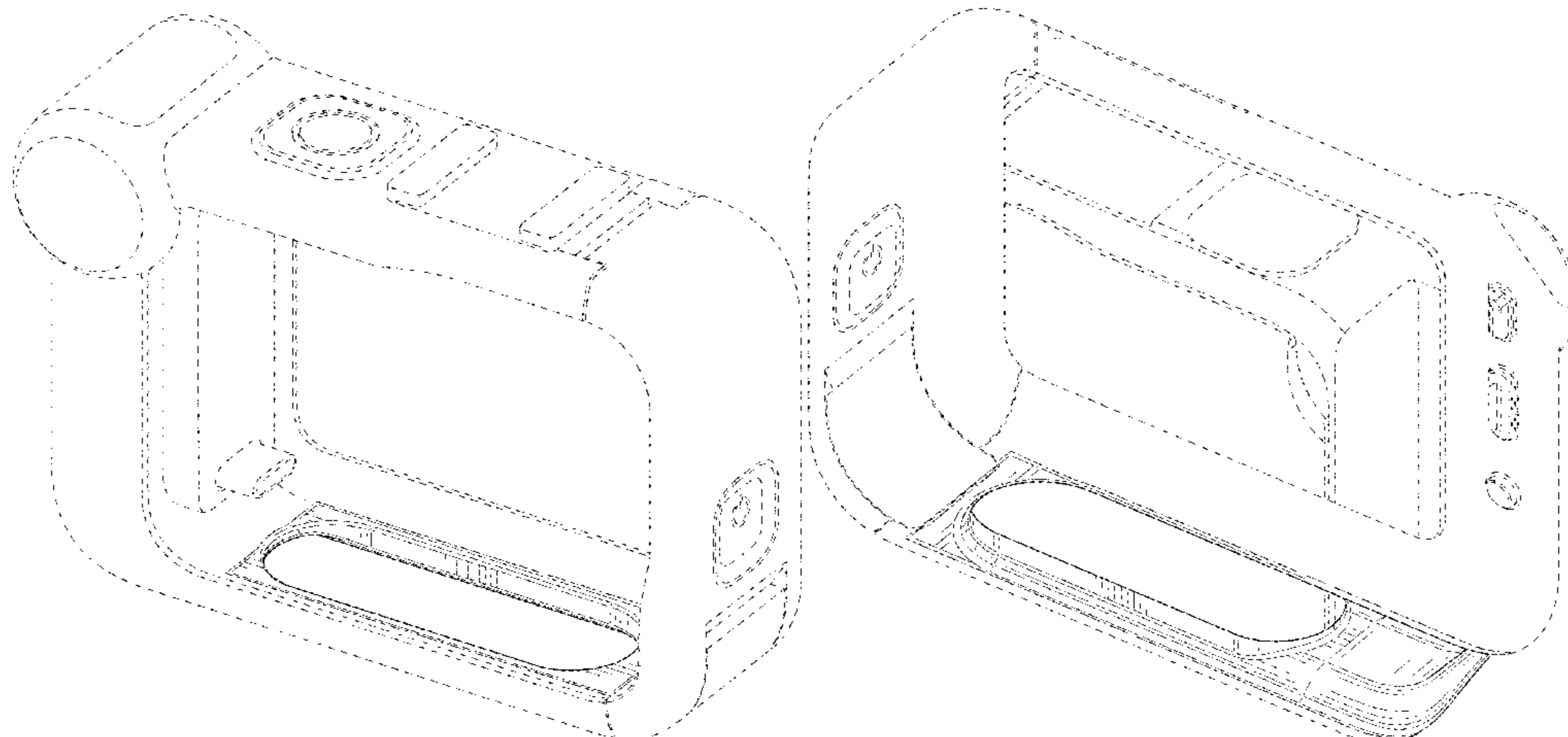
See application file for complete search history.

(56) **References Cited**

**U.S. PATENT DOCUMENTS**

679,881 A 8/1901 Bullard  
1,467,556 A 9/1923 Nagel  
1,612,277 A 12/1926 Leo

2,336,104 A 12/1943 Laube  
4,341,452 A 7/1982 Korling  
D265,829 S 8/1982 Shimoda  
4,646,141 A 2/1987 Timmermans  
4,763,151 A 8/1988 Klinger  
D298,760 S 11/1988 Yoshida  
5,092,552 A 3/1992 Dayton  
5,325,139 A 6/1994 Matsumoto  
D349,126 S 7/1994 Lee  
5,353,079 A 10/1994 Sakai  
5,576,781 A 11/1996 Deleeuw  
5,738,321 A 4/1998 Moriyasu  
D441,386 S 5/2001 Yamazaki  
D469,338 S 1/2003 Chace  
D491,968 S 6/2004 Isshiki  
D492,953 S \* 7/2004 Mitsuse ..... D16/202  
D499,131 S \* 11/2004 Tanio ..... D16/212  
D515,121 S 2/2006 Bleau  
D550,741 S 9/2007 Vernon  
D563,486 S 3/2008 Slater  
D582,955 S 12/2008 Sekine  
7,537,399 B2 5/2009 Mayumi  
D594,050 S 6/2009 Grtner  
7,621,680 B2 11/2009 Frick  
D616,480 S 5/2010 Ookawa  
8,014,656 B2 9/2011 Woodman  
D646,313 S 10/2011 Woodman  
D647,935 S 11/2011 Raken  
D657,808 S 4/2012 Woodman  
D674,428 S 1/2013 Woodman  
D684,569 S 6/2013 Willenborg  
8,467,675 B2 6/2013 Chen  
D692,507 S 10/2013 Meys  
8,596,890 B2 12/2013 Yim  
D699,276 S 2/2014 Samuels  
D699,277 S 2/2014 Samuels  
D702,747 S 4/2014 Woodman  
8,718,457 B2 5/2014 Clark  
D706,603 S 6/2014 Kokawa  
D710,921 S 8/2014 Gioscia  
8,794,579 B2 8/2014 Sturman  
D724,637 S 3/2015 Samuels  
D724,638 S 3/2015 Samuels  
D725,169 S 3/2015 Gioscia  
D727,387 S 4/2015 Hasegawa  
9,004,783 B1 4/2015 Woodman  
D730,423 S 5/2015 Vandebussche  
D732,601 S 6/2015 Coyle  
D737,647 S 9/2015 Elder  
D740,876 S 10/2015 Woodman  
D745,589 S 12/2015 Lee  
D749,164 S 2/2016 Racciah  
D750,146 S 2/2016 Costa



D750,687 S	3/2016	Samuels	
D752,671 S	3/2016	Harrison	
D752,672 S	3/2016	Clearman	
9,282,226 B2	3/2016	Samuels	
D754,230 S	4/2016	Mori	
D755,277 S	5/2016	Shnholz	
D758,474 S	6/2016	Harrison	
D759,141 S	6/2016	Bacon	
D759,145 S	6/2016	Lee	
D760,312 S	6/2016	Lee	
9,360,742 B1	6/2016	Harrison	
D762,759 S	8/2016	Wu	
D763,941 S	8/2016	Smith	
D768,228 S	10/2016	Muhlenkamp, IV	
D768,752 S	10/2016	Silver	
D768,754 S	10/2016	Bennett	
D776,738 S	1/2017	Clearman	
D776,741 S	1/2017	Parfitt	
D777,239 S	1/2017	Costa	
D783,079 S	4/2017	Lee	
D785,068 S	4/2017	Patsis	
9,635,226 B2	4/2017	Samuels	
D785,696 S	5/2017	Parfitt	
D785,697 S	5/2017	Costa	
D790,000 S	6/2017	Wang	
D800,815 S	10/2017	Clearman	
9,816,666 B2	11/2017	Wang	
9,880,451 B2	1/2018	Clearman	
9,894,278 B2	2/2018	Wei	
9,894,279 B2	2/2018	Wei	
9,903,533 B2	2/2018	Wei	
D816,751 S	5/2018	Harrison	
D819,117 S	5/2018	Lee	
D827,696 S	9/2018	Crow	
D827,697 S	9/2018	Crow	
D846,620 S *	4/2019	Katori .....	D16/219
D849,084 S *	5/2019	Hu .....	D16/202
D850,520 S	6/2019	Voss	
D880,567 S	4/2020	Zhang	
D880,569 S	4/2020	Zhang	
D890,835 S	7/2020	Nguyen	
D911,411 S *	2/2021	Coster .....	D16/200
D911,412 S *	2/2021	Alberstein .....	D16/200
2002/0046218 A1	4/2002	Gilbert	
2007/0071423 A1	3/2007	Fantone	
2008/0152337 A1	6/2008	Gartner	
2011/0317065 A1	12/2011	Lin	
2014/0185853 A1	7/2014	Aihara	
2014/0198932 A1	7/2014	Parkins	
2014/0226055 A1	8/2014	Schmidt	
2015/0168815 A1	6/2015	Chen	
2015/0316835 A1	11/2015	Scott	
2015/0326748 A1	11/2015	Tisch	
2016/0004142 A1	1/2016	Zhang	
2016/0100083 A1	4/2016	Harrison	
2016/0229556 A1	8/2016	Zhou	
2016/0246162 A1	8/2016	Niemeyer	
2017/0059967 A1	3/2017	Harrison	
2017/0192341 A1	7/2017	Casarez	
2019/0079373 A1	3/2019	Wang	
2019/0161208 A1	5/2019	Sun	

FOREIGN PATENT DOCUMENTS

CN	302944108	5/2014
CN	303933789	6/2016
GB	4034453	3/2014

OTHER PUBLICATIONS

Action Video Suction Cup. [online] Published date Oct. 23, 2014. Retrieved on Nov. 2, 2016 from <URL: <https://www.amazon.com/

Suction-Locking-JOBY-Easy-Anti-Vibration-Cameras/dp/B0008R7A72/ref=pdsim 421 2? encoding=UTF8&pd rd i=B0008R7A72&pd rd r=AGCVZH2ZHQBHT5BBX2GZ&pdrd\_w=7Jkpc&pdrd\_wg=OMkYF&psc=1&refRID=AGCVZH2ZHQBHT5BBX2GZ>. (9 pages).  
 Google Express IGoPro Karma Harness for HERO4 Black/Silver Camera—AGFHA-001 , first reviewed on Mar. 17, 2017, © 2018 Google [online], [site visited Mar. 16, 2018]. Available from Internet, <URL: https://goo.gl/hugSGv/> 1 page.  
 GoPro i Shop i Mounts & Accessories, posted on Nov. 16, 2017, © 2018 GoPro, Inc. [online], [site visited Mar. 16, 2018]. Available from Internet, <URL: https://shop.gopro.com/mounts-accessories/> (13 PGS).  
 GoPro The Frame for HERO5 Black. [online] Published date unknown. Retrieved on Oct. 26, 2016 from <URL: https://www.bhphotovideo.com/c/product/1274422-REG/gopro.sub.--aafm.sub.--001sub.--frame.sub.--for.sub.--hero5.html>. 3 pages.  
 GoPro, “Karma Stabilizer,” Date Unknown, two pages. [Online] [Retrieved Nov. 2, 2016] Retrieved from the internet <http://shop.gopro.com/accessories-2/karma-stabilizer/AGMBL-001.html>. (2 pages).  
 Linxv i Action Camera Accessories i Action Camera Strap, posted on Jun. 4, 2016, © 2012 Avada [online], [site visited Mar. 16, 2018]. Available from Internet, <URL: http://www.linxv.com/action-camera-accessories/action-camera-strap/> (4 PGS).  
 Suction Cup & Locking Arm. Online, published date unknown. Retrieved on Jan. 11, 2018 from URL: https://joby.com/suction-cup-with-locking-arm (1 page).  
 The Frame. [online] Published date unknown. Retrieved on Oct. 24, 2016 from <URL: http://shop.gopro.com/accessories-2/the-frame/ANDFR-302.html>. 3 pages.  
 United States Office Action, U.S. Appl. No. 29/548,666, dated Nov. 17, 2016, eight pages.

\* cited by examiner

Primary Examiner — Ramzi Almatrahi  
 (74) Attorney, Agent, or Firm — Young Basile Hanlon & MacFarlane, P.C.

(57) CLAIM

The ornamental design for a camera housing, as shown and described.

DESCRIPTION

FIG. 1 is a top, and right side perspective view of a camera housing showing our new design;  
 FIG. 2 is a bottom, rear, and right side perspective view thereof;  
 FIG. 3 is a top, and left perspective view thereof;  
 FIG. 4 is a front elevation view thereof;  
 FIG. 5 is a rear elevation view thereof;  
 FIG. 6 is a left elevation view thereof;  
 FIG. 7 is a right elevation view thereof;  
 FIG. 8 is a top plan view thereof; and,  
 FIG. 9 is a bottom plan view thereof.  
 The broken lines depict portions of the camera housing in which the design is embodied that form no part of the claimed design. Additionally, the dash-dot lines denote the boundary of the claim and form no part of the claimed design.

1 Claim, 8 Drawing Sheets

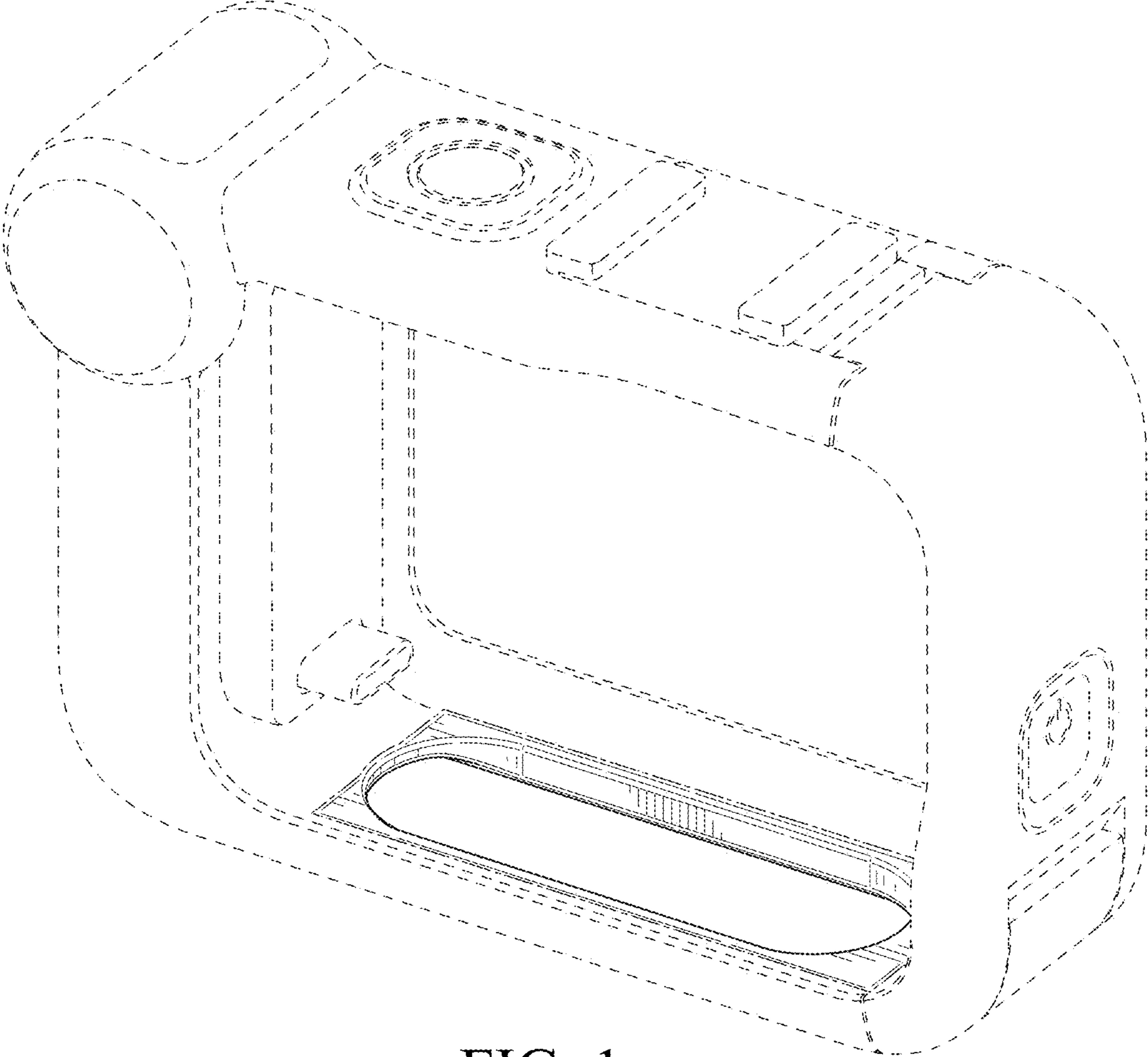


FIG. 1

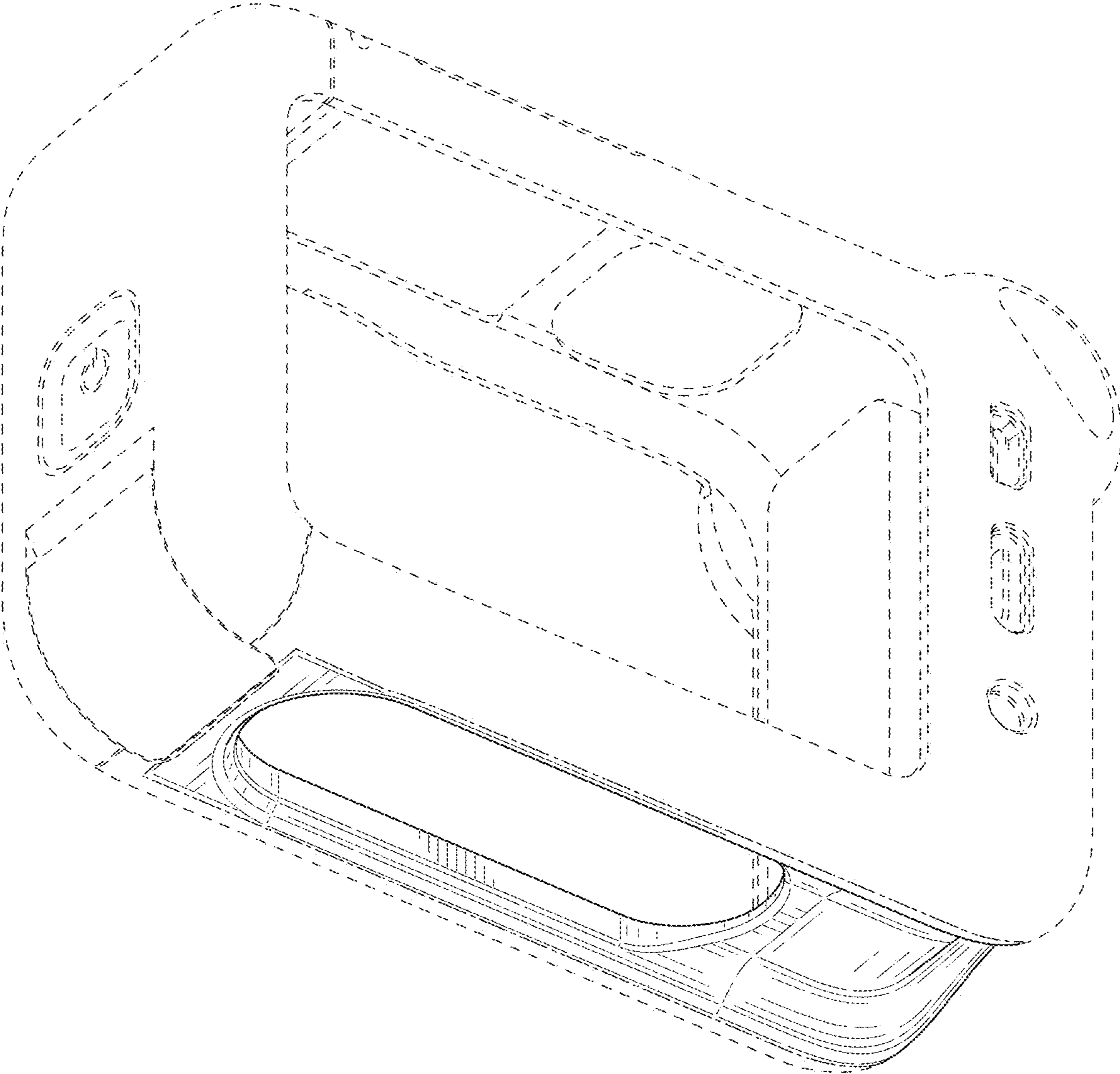


FIG. 2

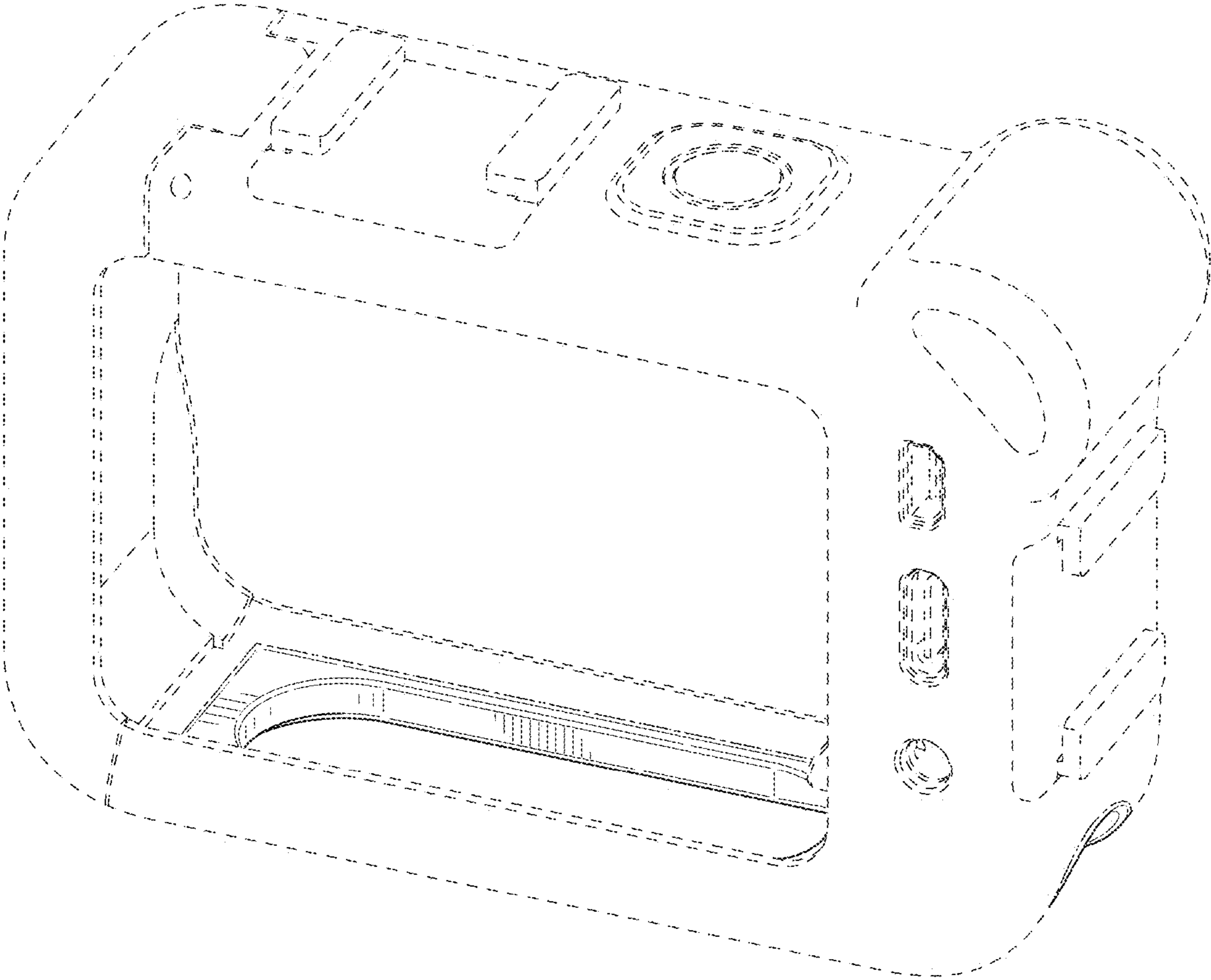


FIG. 3

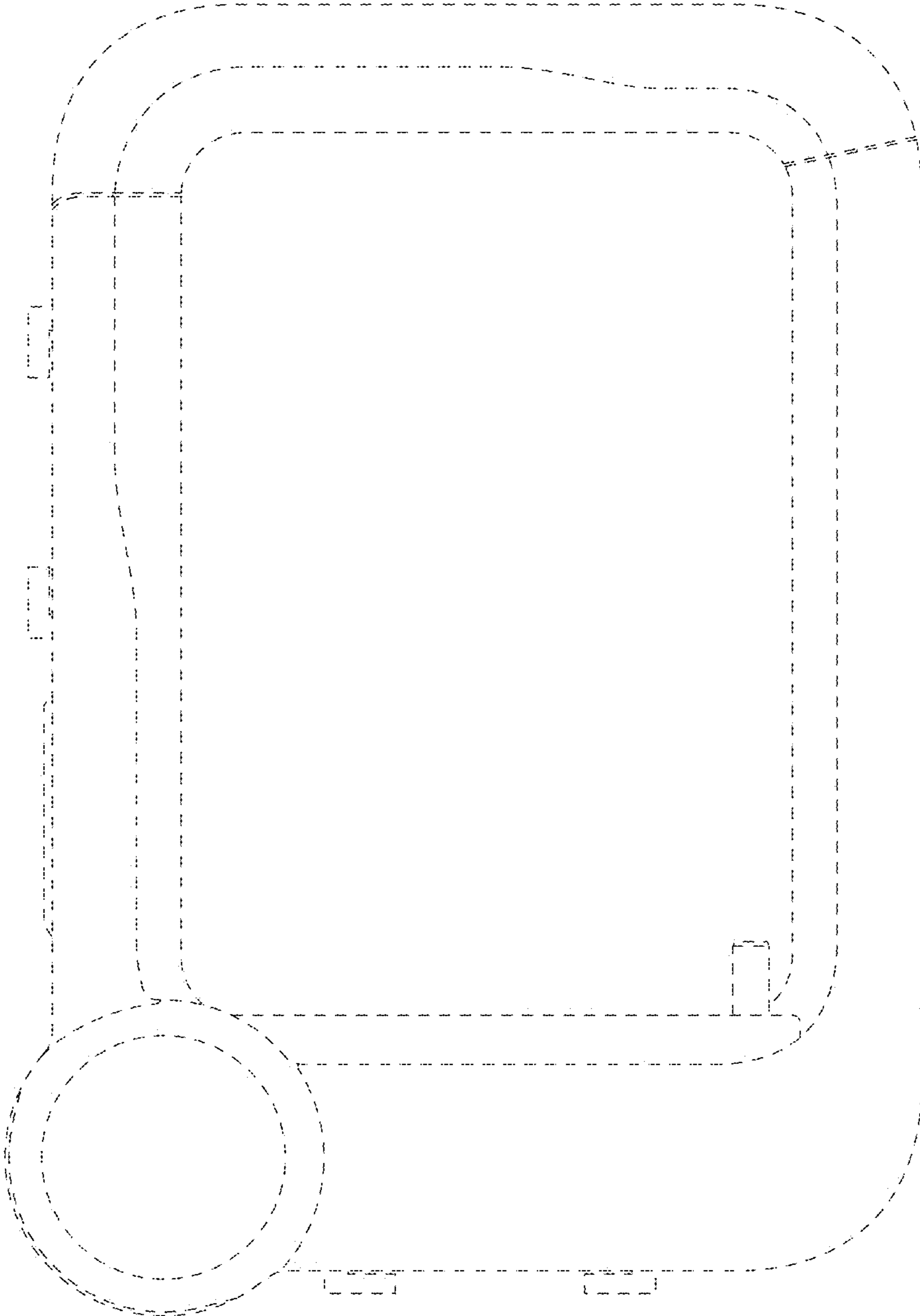


FIG. 4

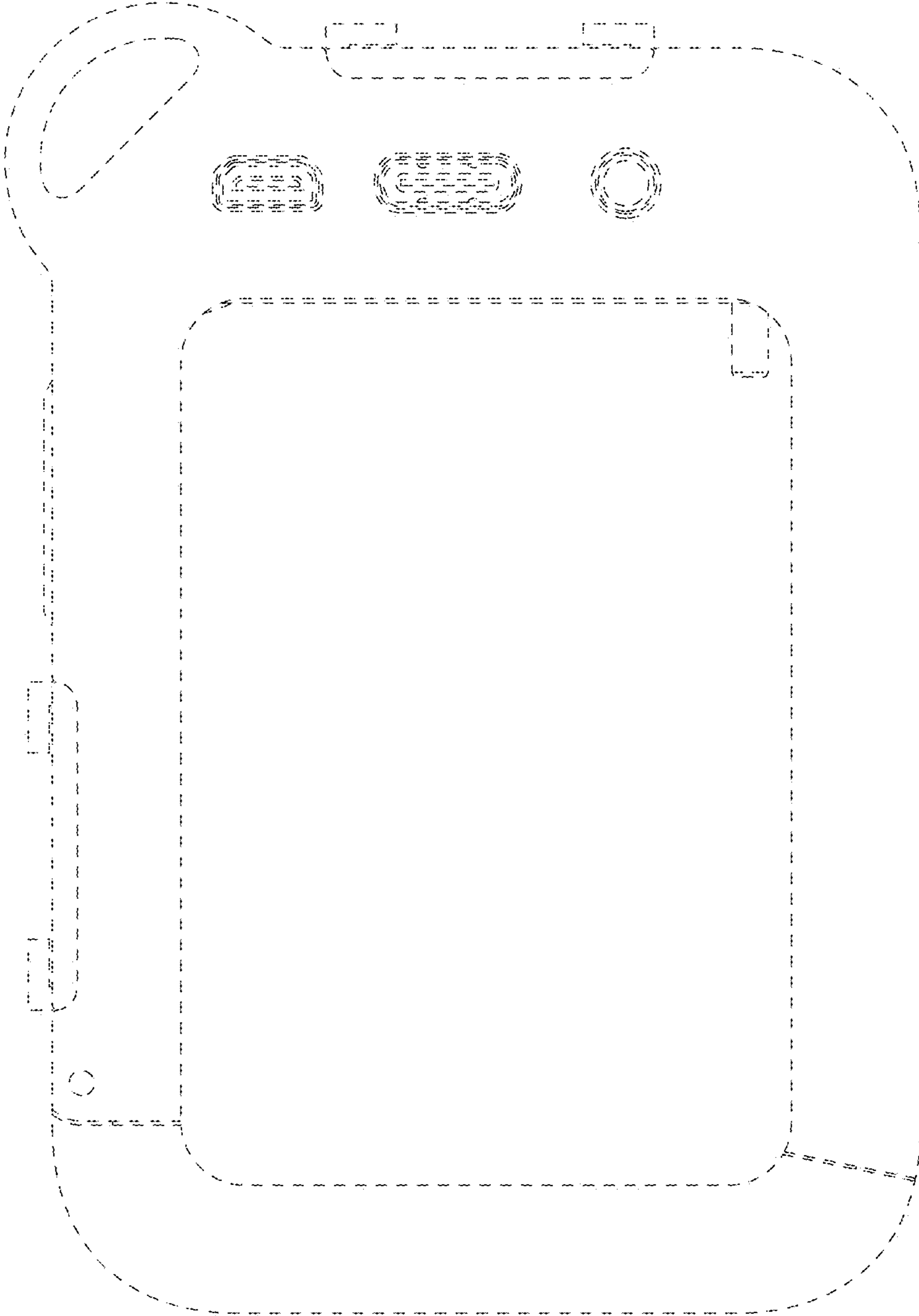


FIG. 5

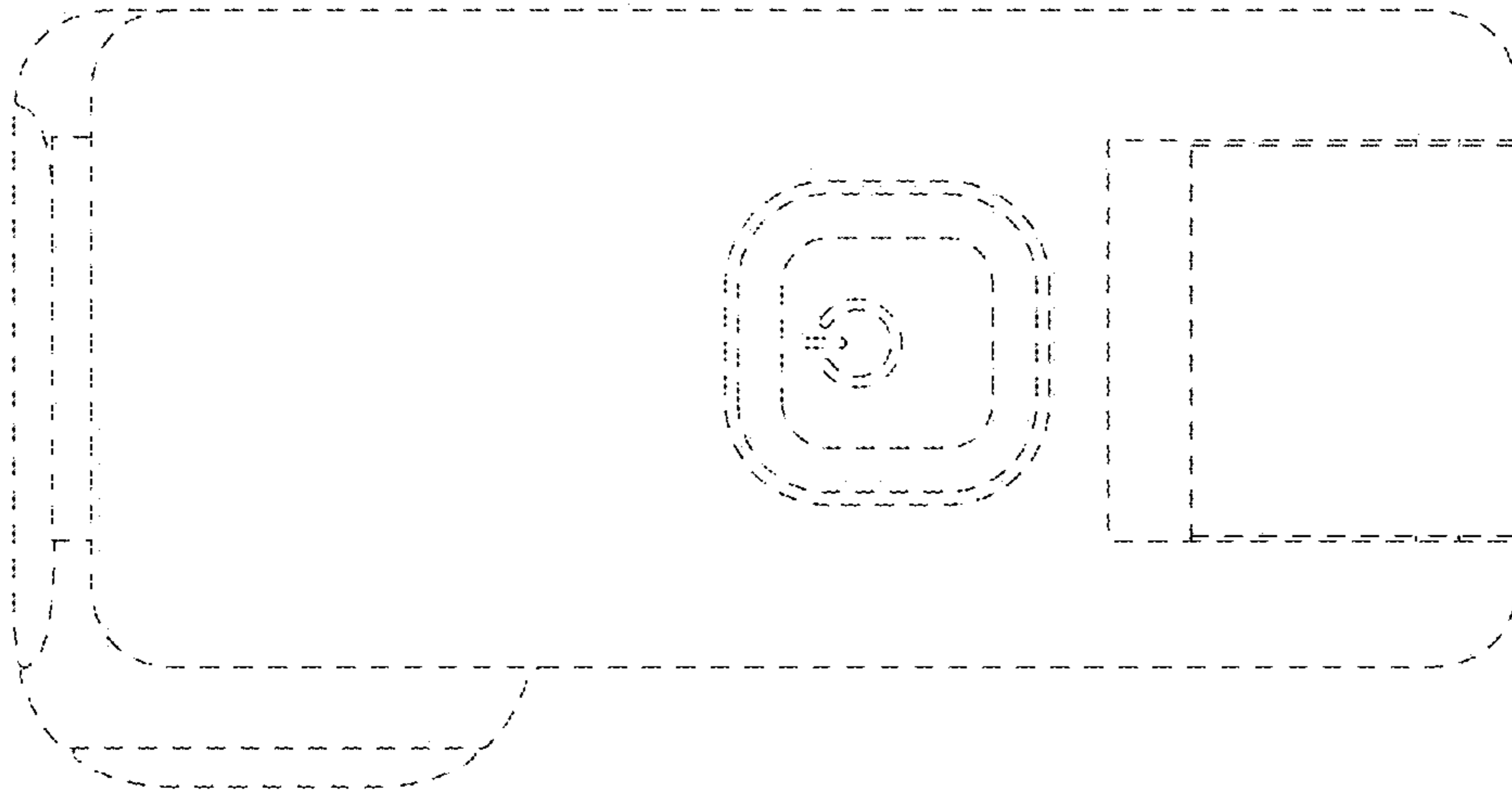


FIG. 6

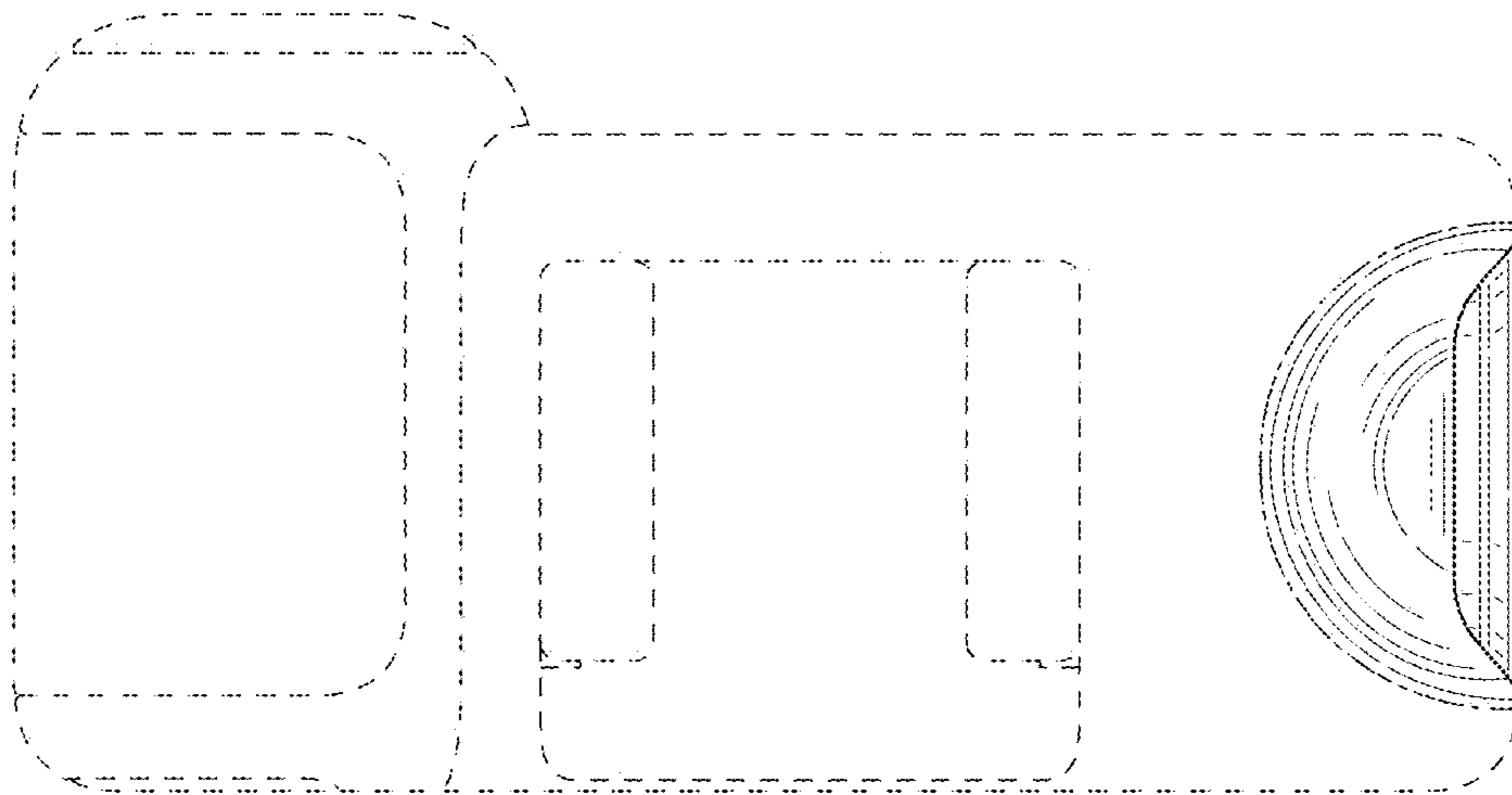


FIG. 7



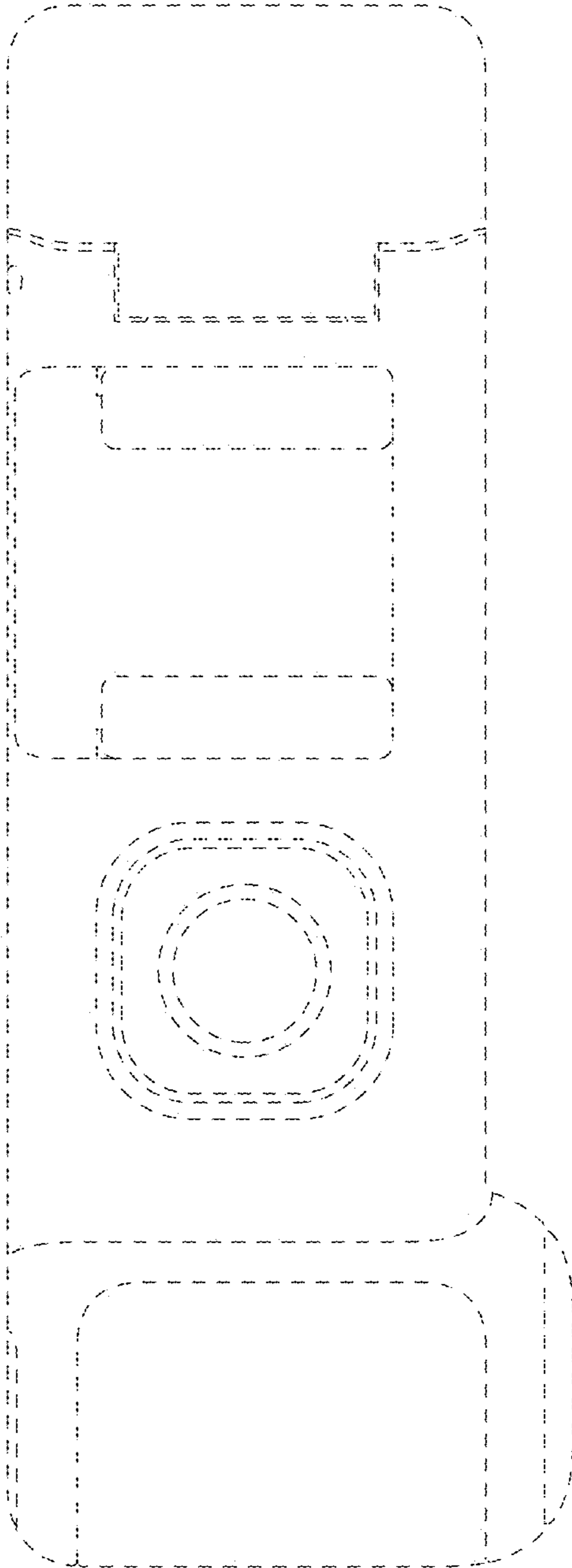


FIG. 8

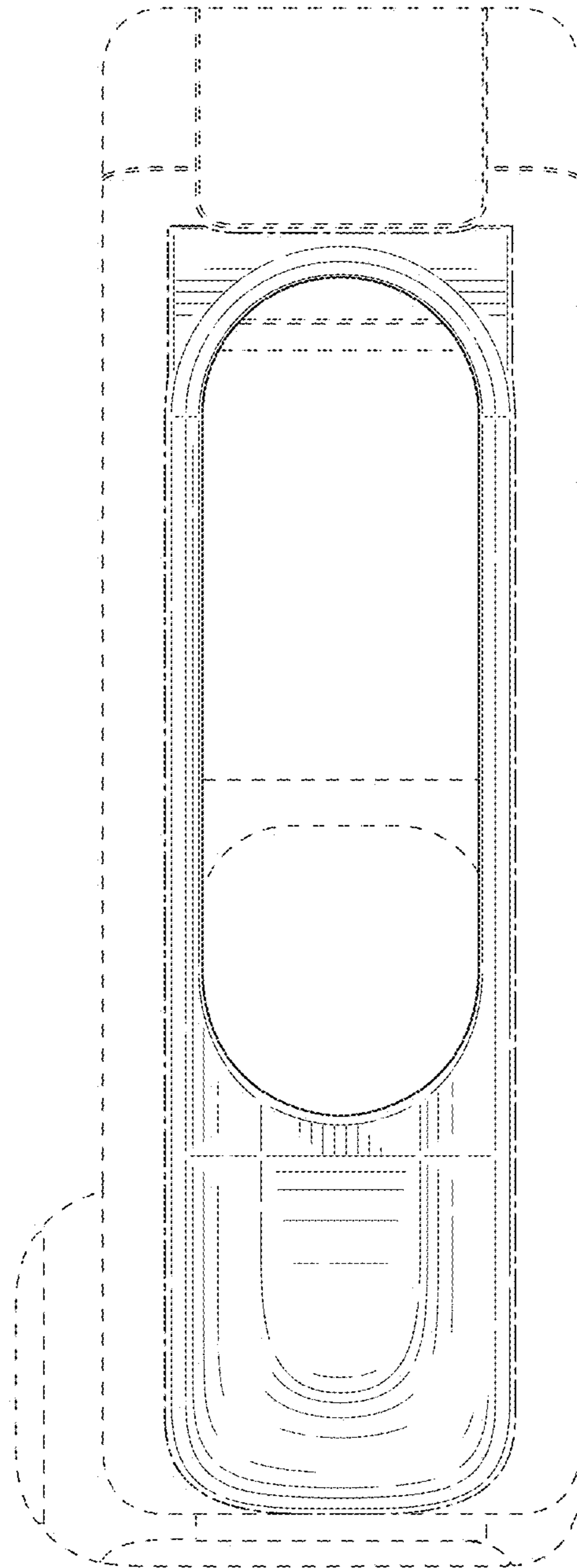


FIG. 9