



US00D929488S

(12) **United States Design Patent** (10) **Patent No.:** **US D929,488 S**
Tanoue (45) **Date of Patent:** **** Aug. 31, 2021**

(54) **CAMERA**
(71) Applicant: **SONY CORPORATION**, Tokyo (JP)
(72) Inventor: **Hikaru Tanoue**, Kanagawa (JP)
(73) Assignee: **SONY CORPORATION**, Tokyo (JP)
(**) Term: **15 Years**

D528,578 S 9/2006 Yasutomi
D620,036 S 7/2010 Obata
D745,589 S * 12/2015 Lee D16/218
D785,695 S * 5/2017 Woodman D16/219
D822,747 S * 7/2018 Van Deusen D16/218
D831,089 S * 10/2018 Laffon de Mazieres D16/202
D835,700 S * 12/2018 Iritani D16/219
D837,864 S * 1/2019 Ge D16/218

* cited by examiner

(21) Appl. No.: **29/619,634**
(22) Filed: **Sep. 29, 2017**

Primary Examiner — Ramzi Almatrahi
(74) *Attorney, Agent, or Firm* — Michael Best and Friedrich LLP

(30) **Foreign Application Priority Data**

Mar. 30, 2017 (JP) D2017-006739
Aug. 30, 2017 (JP) D2017-018693
Aug. 30, 2017 (JP) D2017-018694
Sep. 22, 2017 (JP) D2017-020771

(57) **CLAIM**

The ornamental design for a camera, as shown and described.

(51) **LOC (13) Cl.** **16-05**

DESCRIPTION

(52) **U.S. Cl.**
USPC **D16/219**

(58) **Field of Classification Search**
USPC D16/200, 202–205, 208, 209, 218, 219;
D12/181, 184, 196; 348/373–376;
396/535, 538–541
CPC G03B 17/02; G03B 19/04; G03B 17/56;
G03B 17/04; G03B 15/03; G03B 15/05;
H04N 5/2251; H04N 5/2252; H04N
5/2253; H04N 5/2254; H04N 2007/145;
H04N 7/141; H04N 7/142; H04N 7/147;
H04N 7/148; H04N 7/15; H04N 7/152
See application file for complete search history.

FIG. 1 is a front elevational view of a first embodiment of a camera showing my new design;
FIG. 2 is a top, front and right side perspective view thereof; and
FIG. 3 is a bottom, front and left side perspective view thereof.
FIG. 4 is a front elevational view of a second embodiment of a camera showing my new design;
FIG. 5 is a top, front and right side perspective view thereof; and,
FIG. 6 is a bottom, front and left side perspective view thereof.

(56) **References Cited**

U.S. PATENT DOCUMENTS

D391,590 S 3/1998 Sumita
D516,601 S 3/2006 Ishii

The broken lines depict portions of the camera in which the design is embodied that form no part of the claimed design. The dot-dash broken lines defining the boundaries of the claimed design form no part of the claimed design.

1 Claim, 6 Drawing Sheets

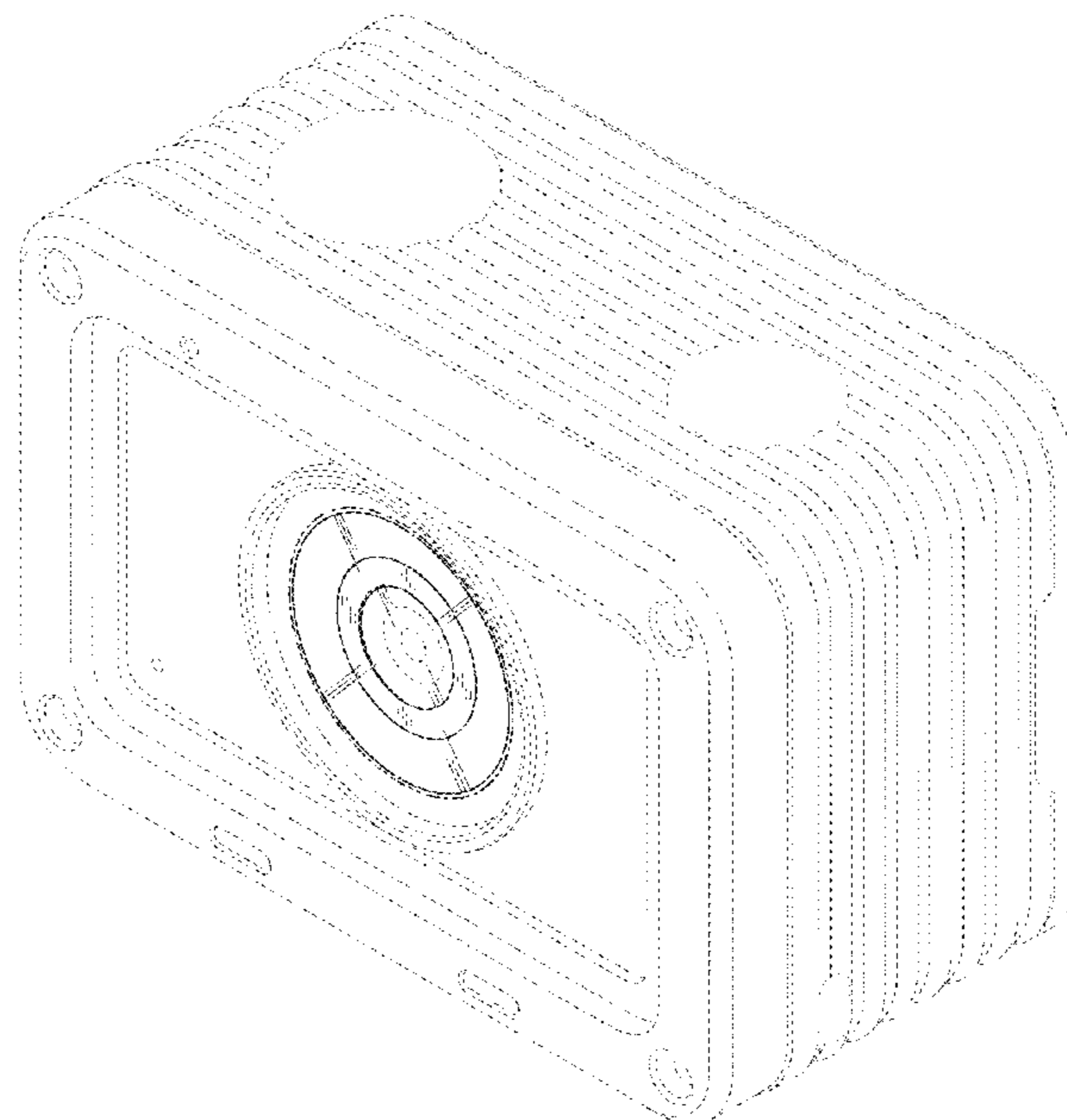


FIG. 1

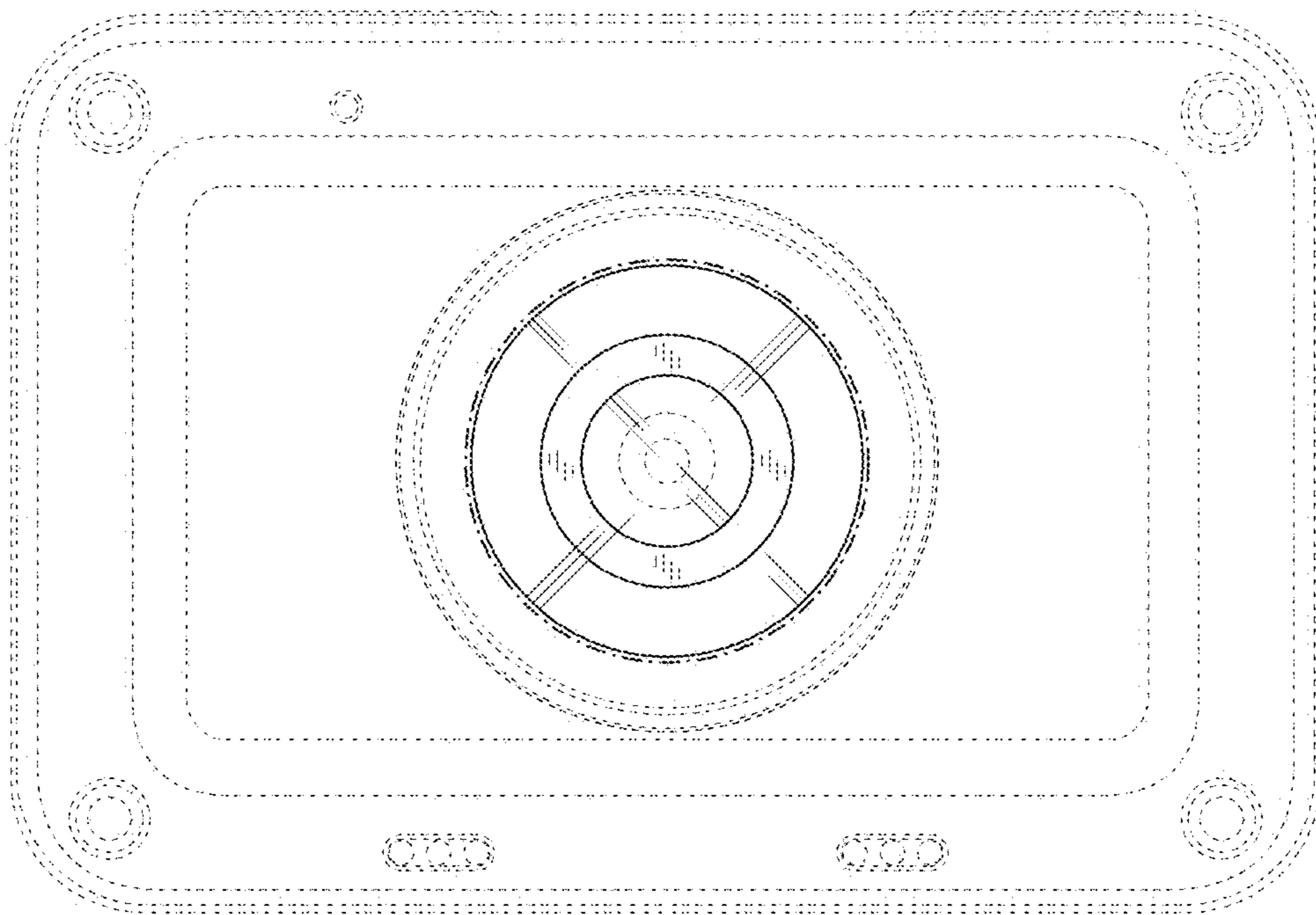


FIG.2

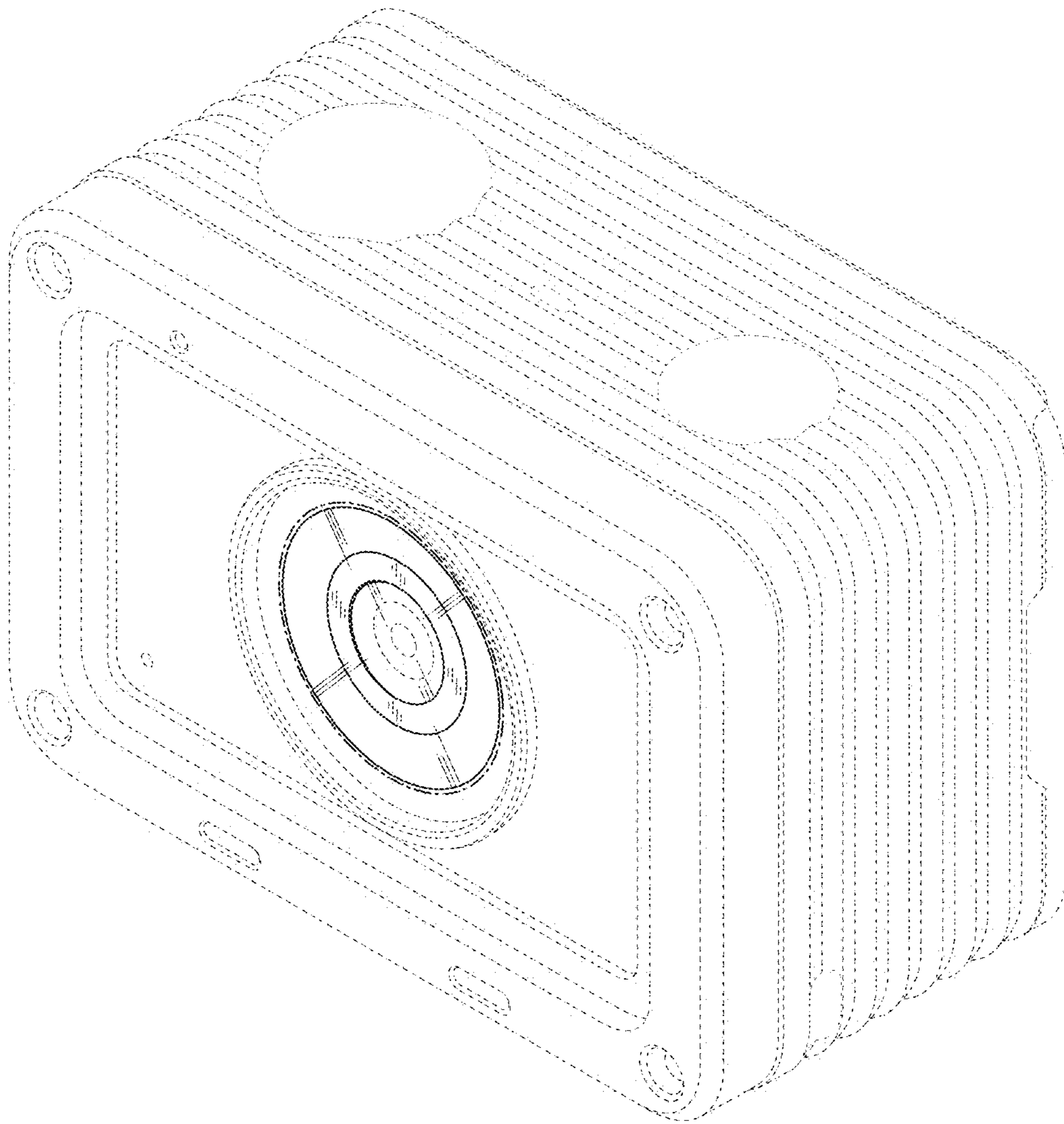


FIG.3

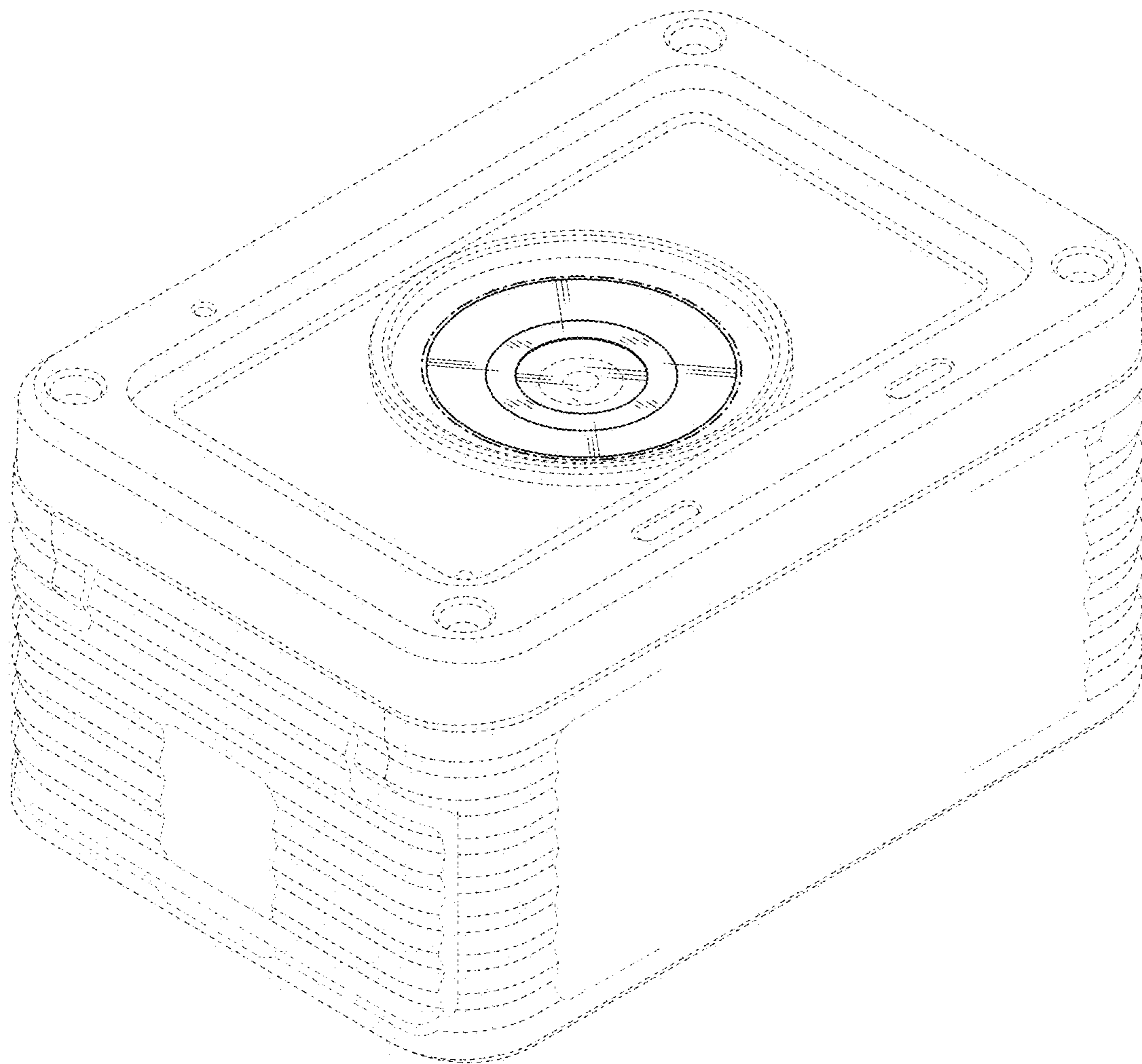


FIG.4

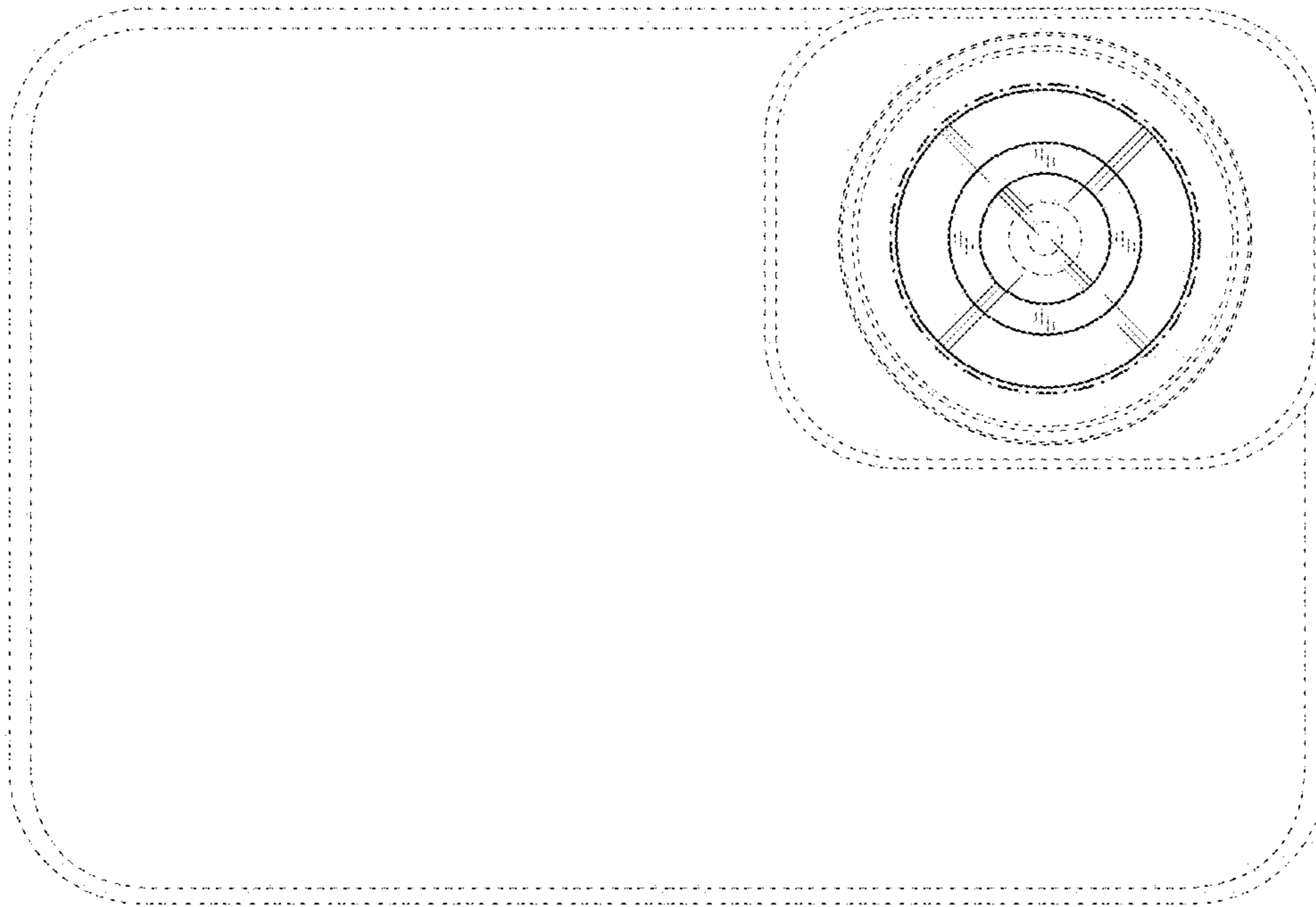


FIG.5

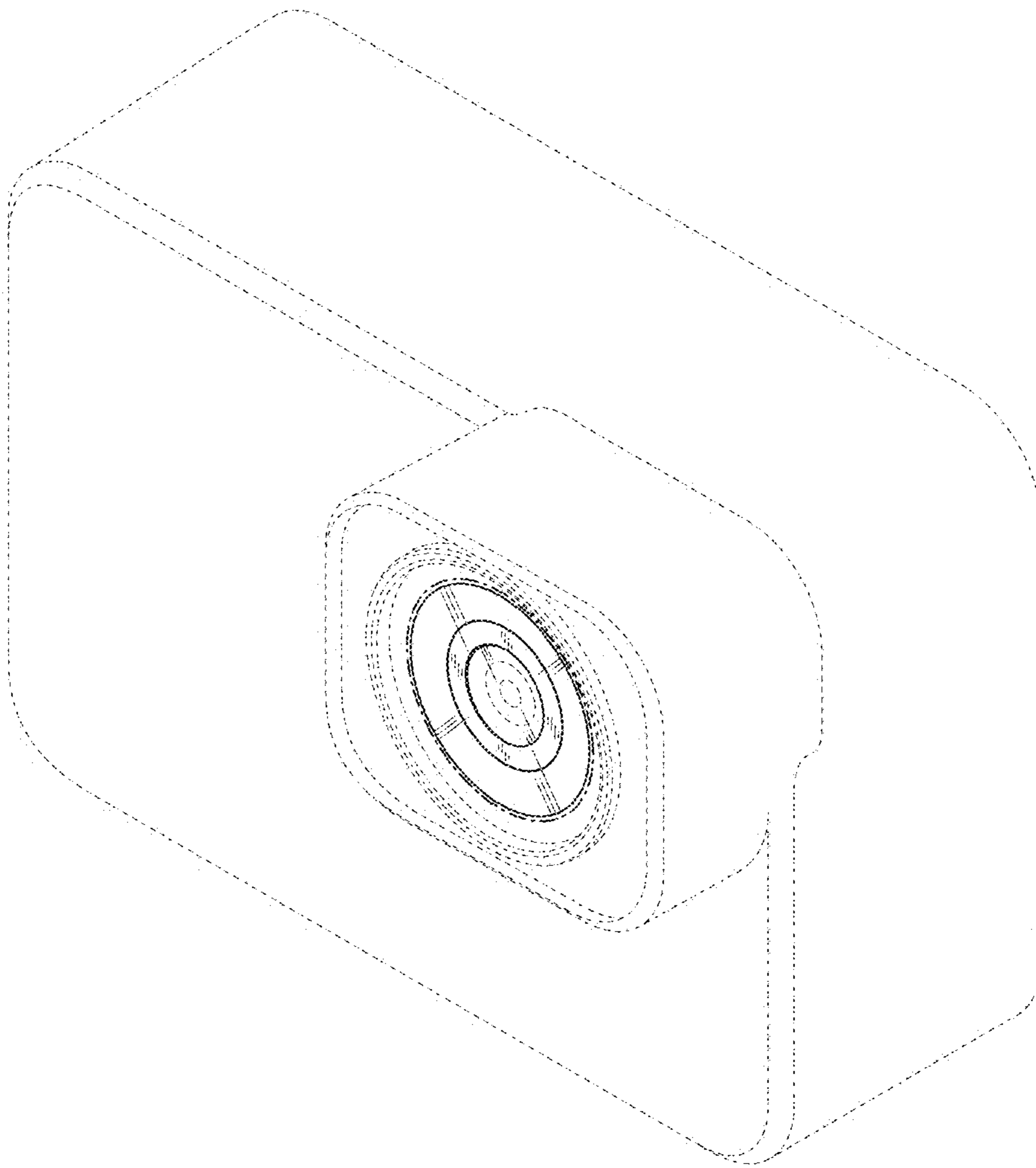


FIG.6

