



US00D929486S

(12) **United States Design Patent** (10) **Patent No.:** **US D929,486 S**  
**Liu** (45) **Date of Patent:** **\*\* Aug. 31, 2021**

(54) **GIMBAL CAMERA**

(71) Applicant: **AUTEL ROBOTICS CO., LTD.**,  
Guangdong (CN)

(72) Inventor: **Zhengwen Liu**, Guangdong (CN)

(73) Assignee: **AUTEL ROBOTICS CO., LTD.**,  
Shenzhen (CN)

(\*\*) Term: **15 Years**

(21) Appl. No.: **29/773,531**

(22) Filed: **Mar. 10, 2021**

**Related U.S. Application Data**

(62) Division of application No. 29/720,222, filed on Jan. 10, 2020.

(51) **LOC (13) Cl.** ..... **16-01**

(52) **U.S. Cl.**  
USPC ..... **D16/218**

(58) **Field of Classification Search**  
USPC ..... D12/16.1; D14/124, 125, 126, 129, 133,  
D14/314, 317, 336, 348-351, 356, 420;  
D16/131, 135, 136, 200, 201, 202, 203,  
D16/205-221, 225, 232, 235, 241;  
348/373-376; 396/535, 539-541  
CPC ..... G03B 15/03; G03B 17/02; G03B 17/04;  
G03B 17/56; G03B 19/04; H04N  
5/2251-2254; H04N 2101/00

See application file for complete search history.

(56) **References Cited**

U.S. PATENT DOCUMENTS

D754,242 S *	4/2016	Wang	.....	D16/242
D771,733 S *	11/2016	Wang	.....	D16/242
D790,000 S *	6/2017	Wang	.....	D16/200
D791,217 S *	7/2017	Wang	.....	D16/242
D813,924 S *	3/2018	Zheng	.....	D16/203
D816,150 S *	4/2018	Liao	.....	D16/242
D854,069 S *	7/2019	Wang	.....	D16/202
D874,531 S *	2/2020	Chen	.....	D16/202
D884,060 S *	5/2020	Kim	.....	D16/242
D891,503 S *	7/2020	Wang	.....	D16/218
D904,490 S *	12/2020	Mao	.....	D16/218

\* cited by examiner

*Primary Examiner* — Ramzi Almatrahi

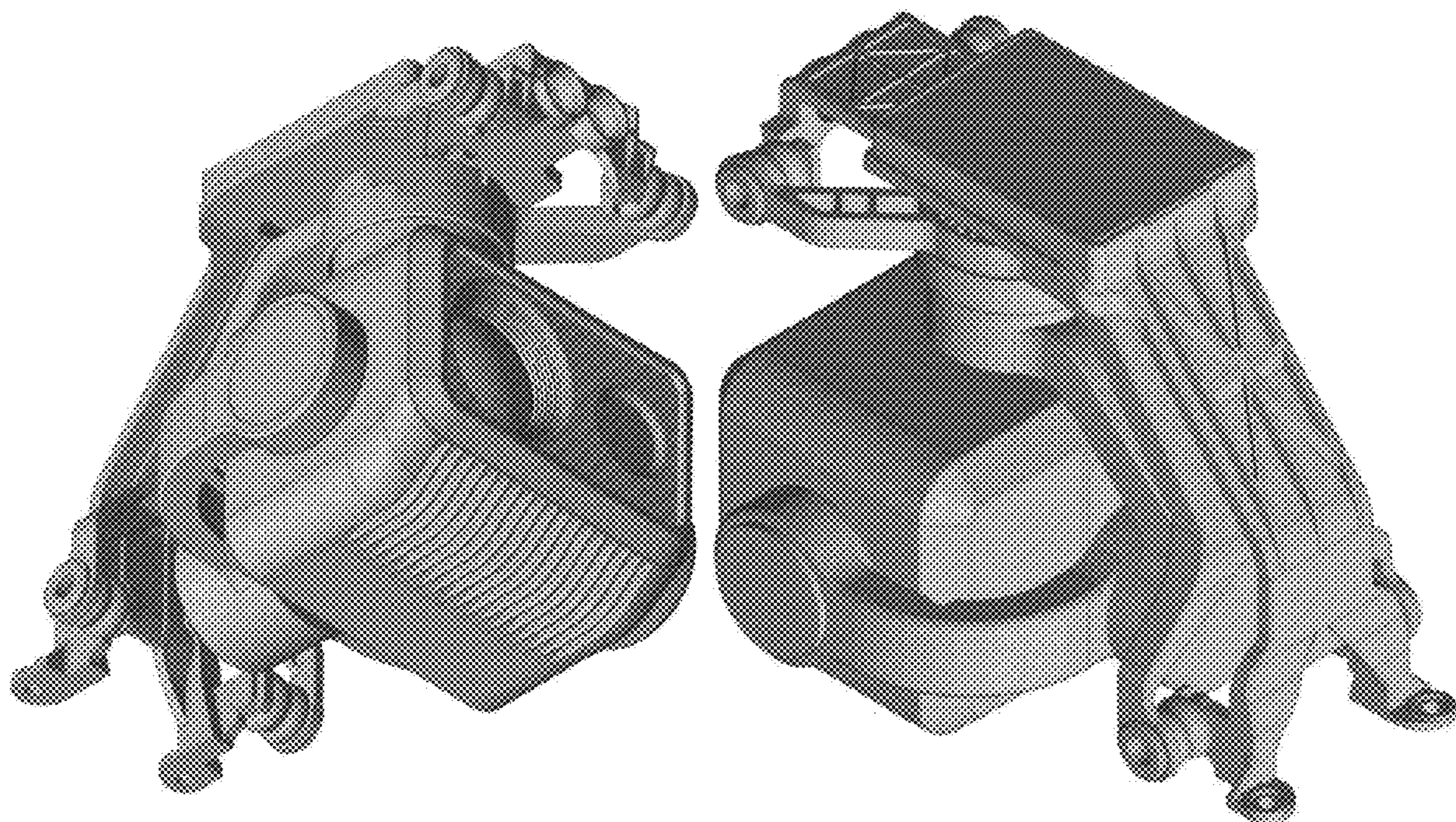
(57) **CLAIM**

The ornamental design for a gimbal camera, as shown and described.

**DESCRIPTION**

FIG. 1 is a front elevational view of a gimbal camera showing my new design;  
FIG. 2 is a back elevational view thereof;  
FIG. 3 is a left side elevational view thereof;  
FIG. 4 is a right side elevational view thereof;  
FIG. 5 is a top plan view thereof;  
FIG. 6 is a bottom plan view thereof;  
FIG. 7 is a bottom, front and left side perspective view thereof; and,  
FIG. 8 is a top, back and right side perspective view thereof.

**1 Claim, 8 Drawing Sheets**



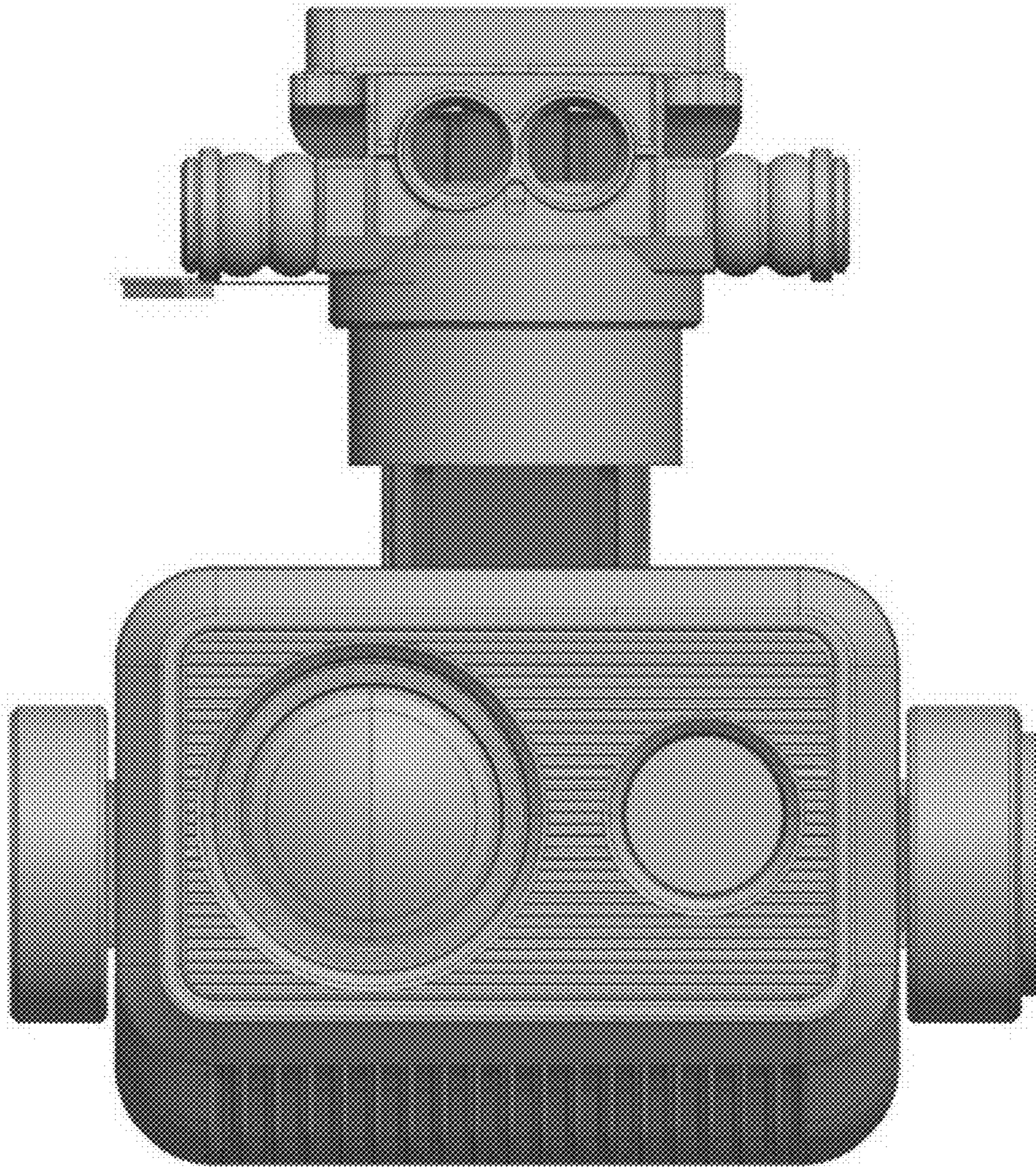


FIG. 1

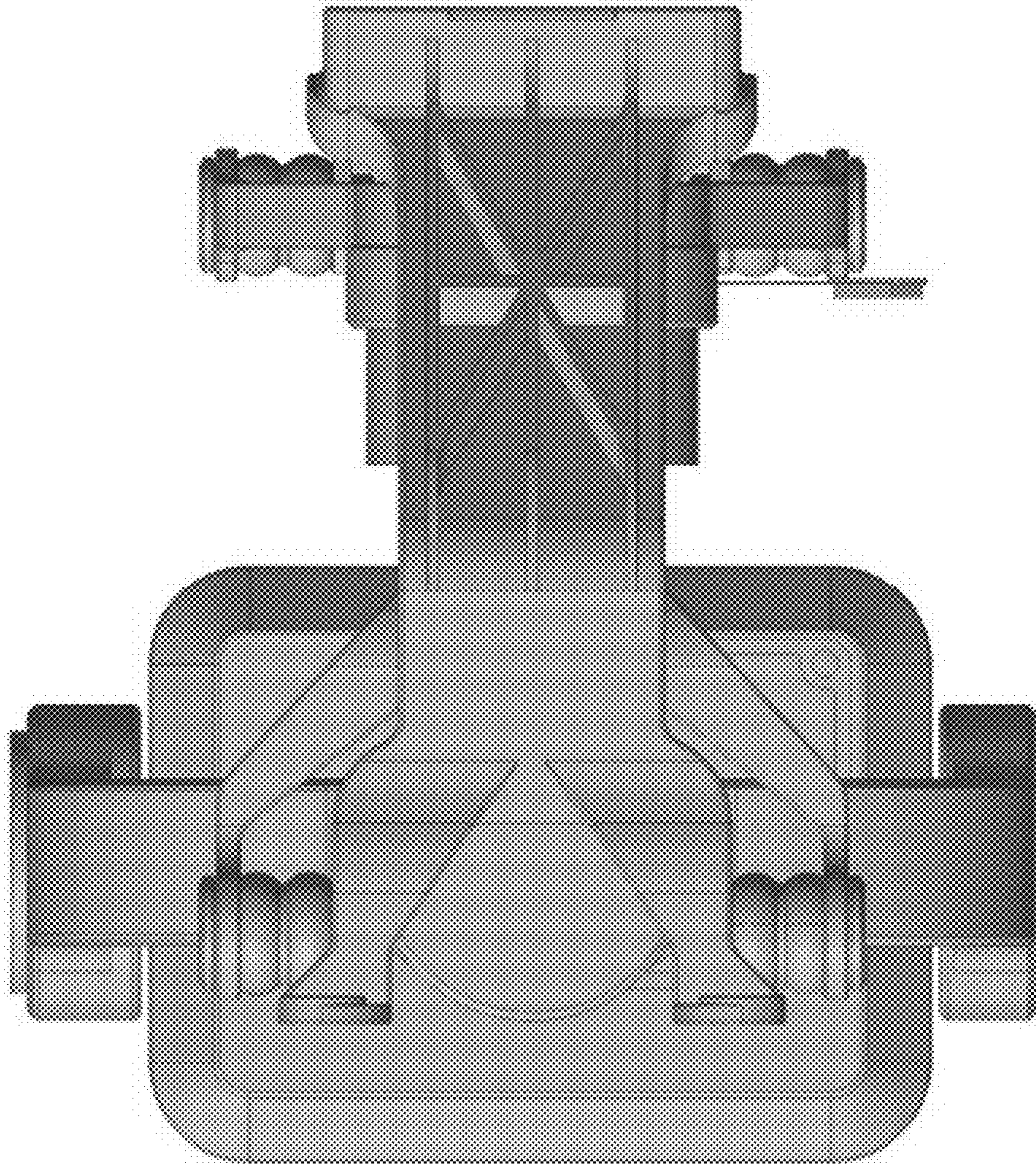


FIG. 2

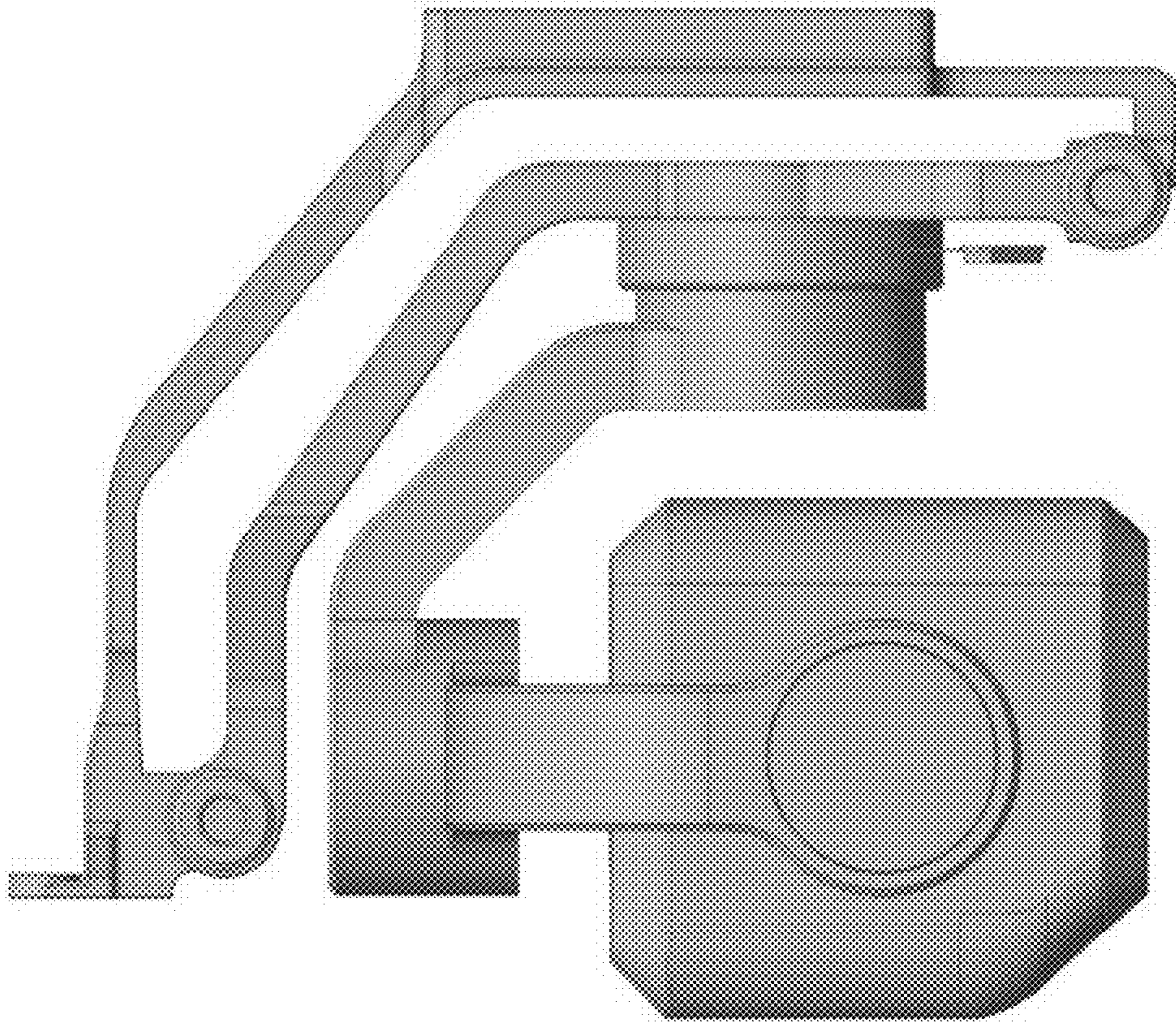


FIG. 3

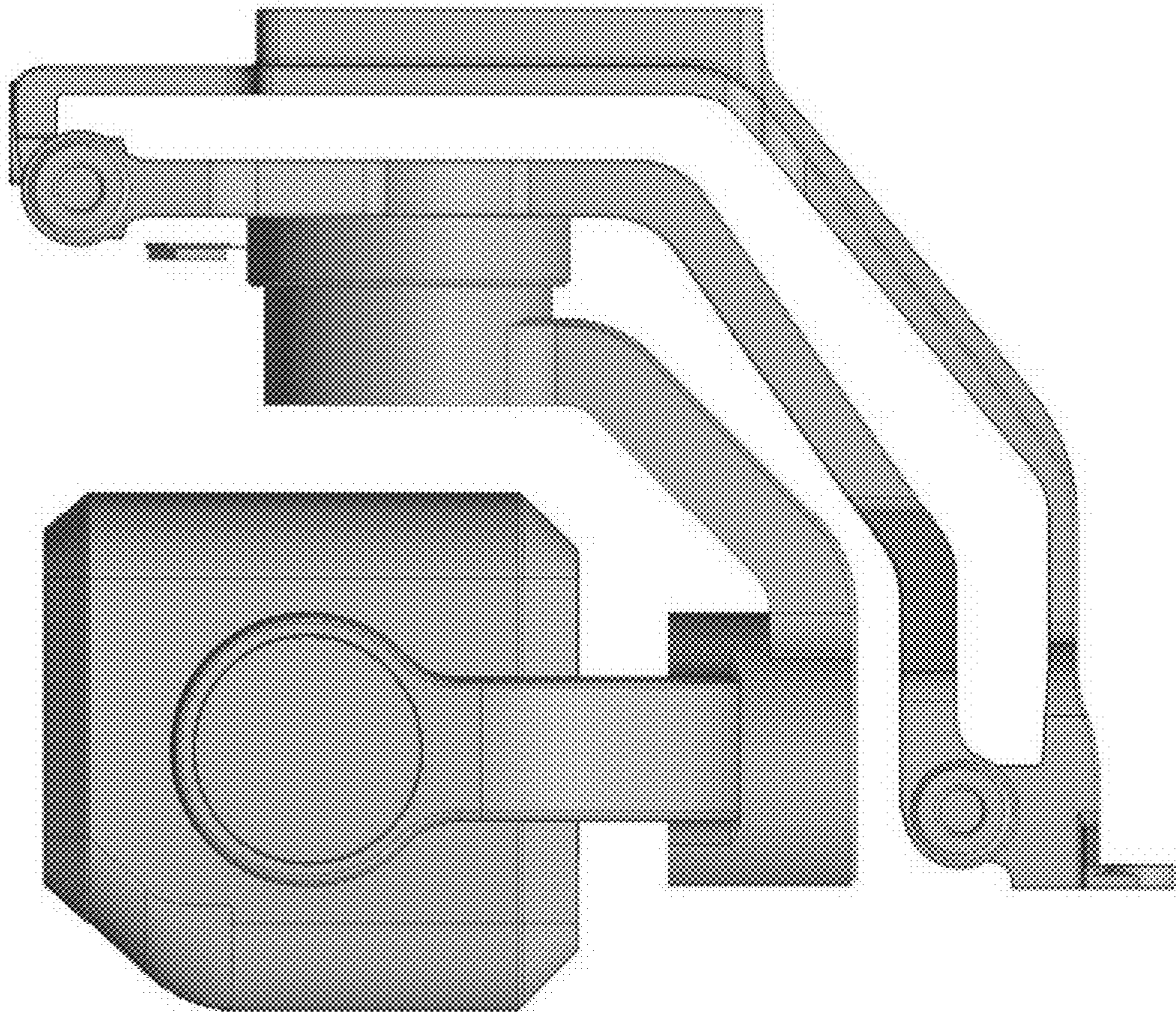


FIG. 4

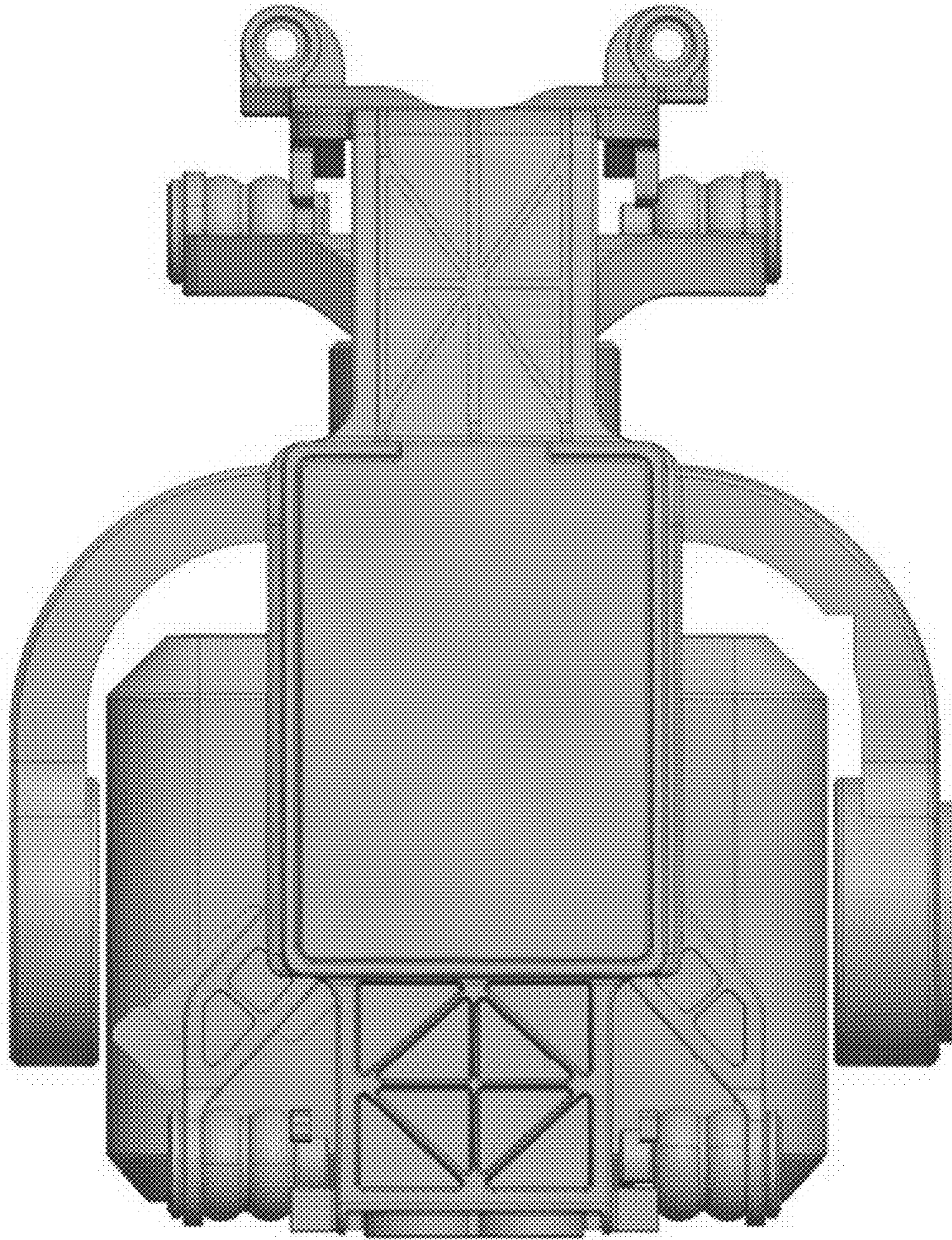


FIG. 5

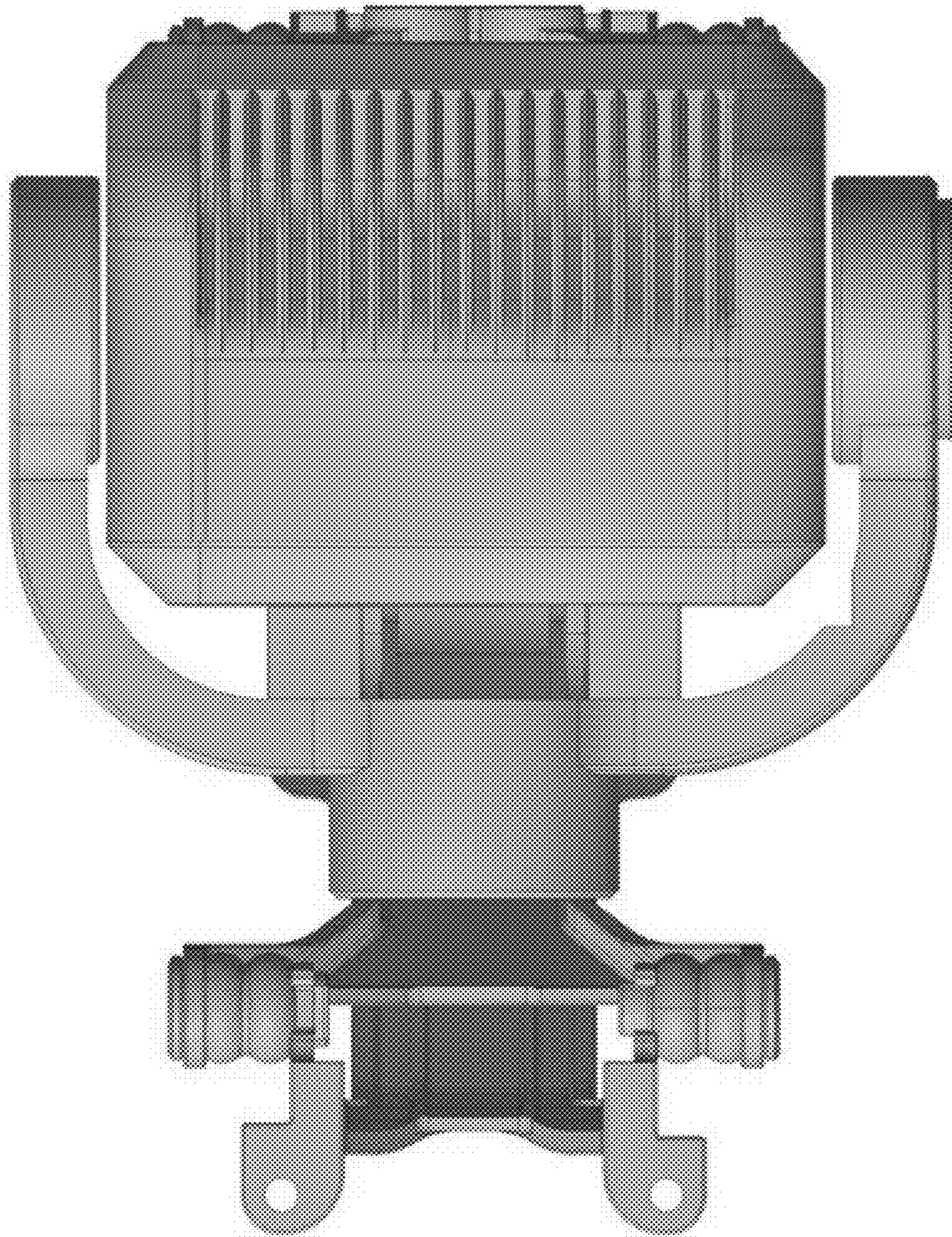


FIG. 6

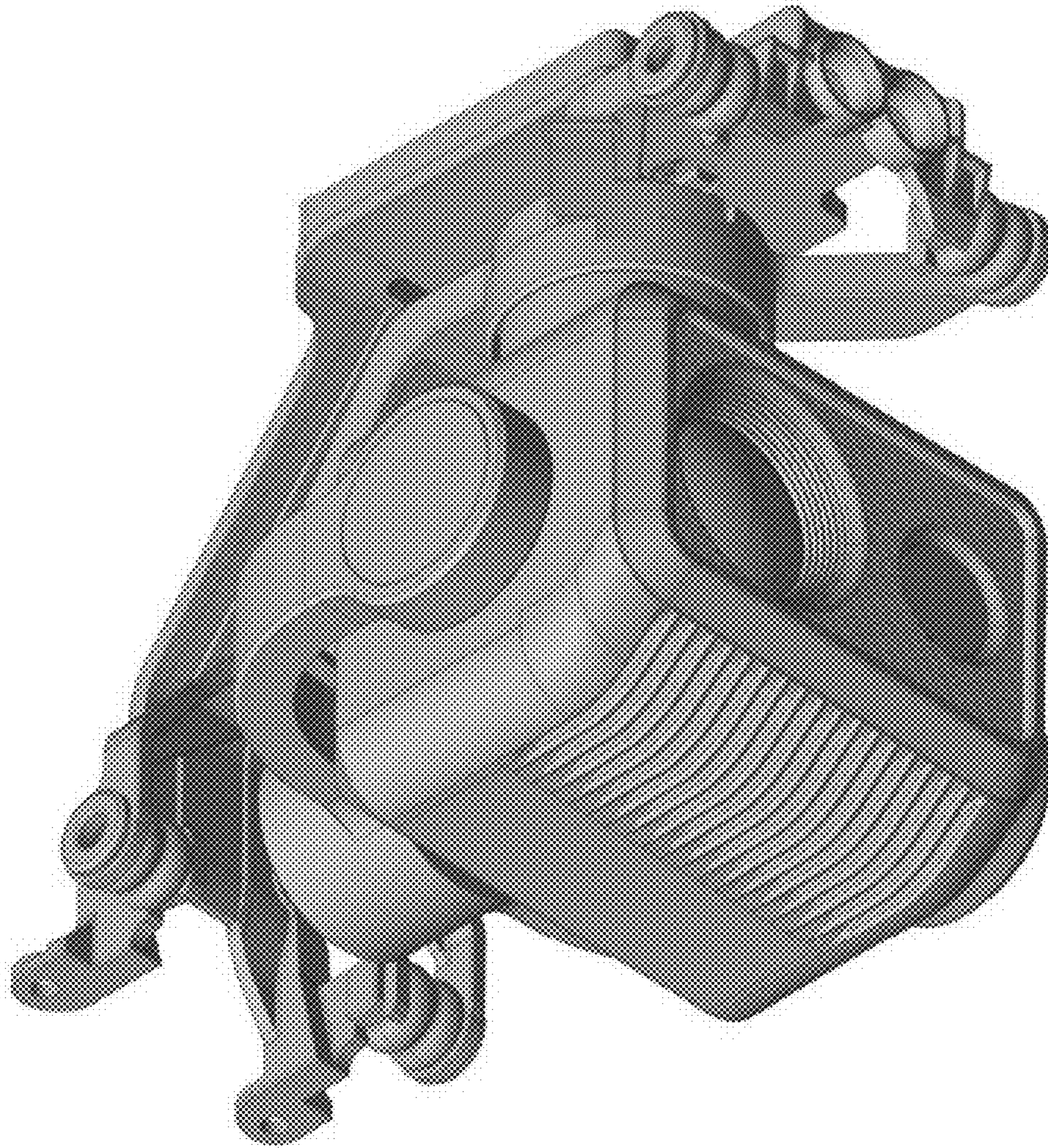


FIG. 7



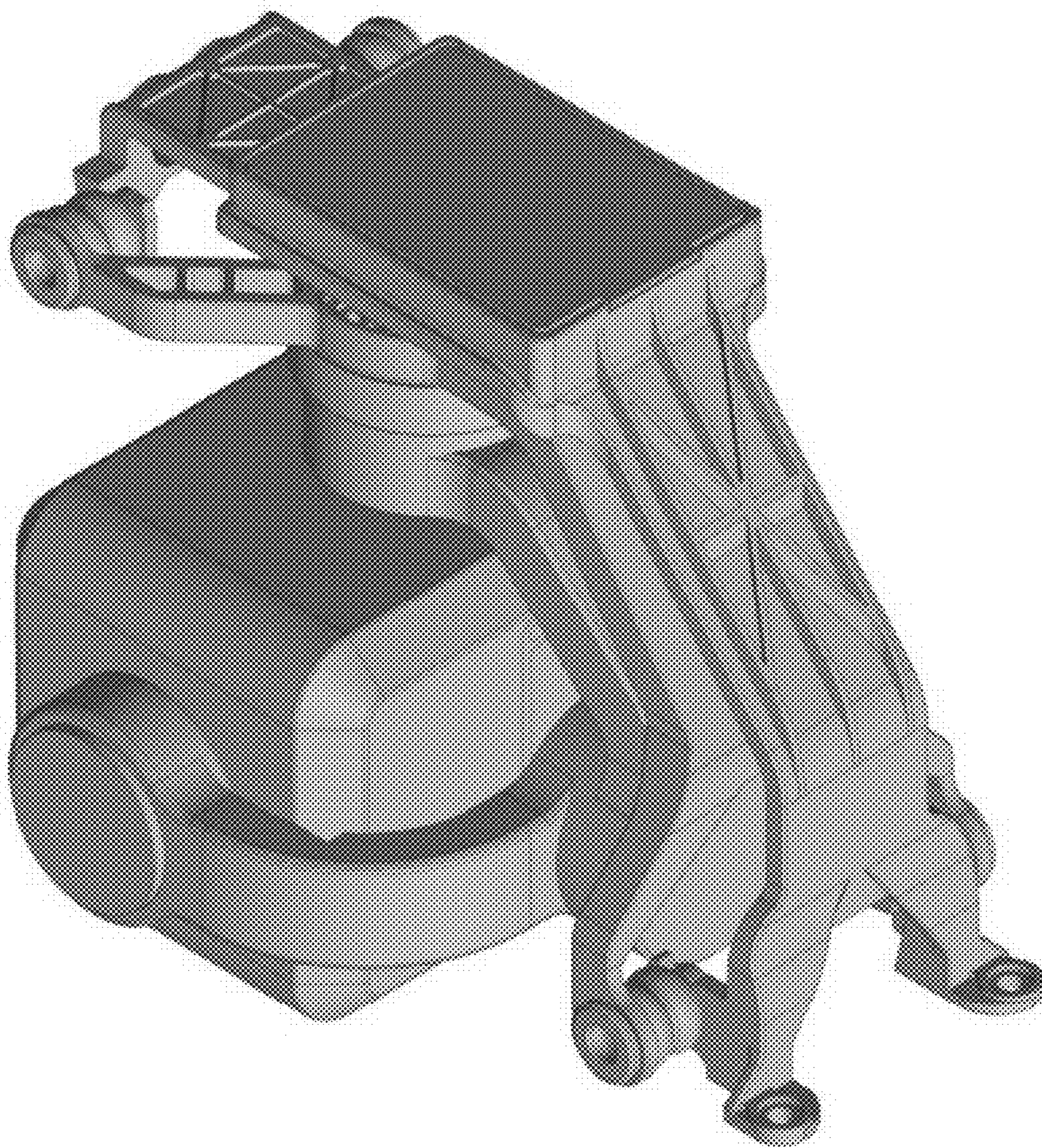


FIG. 8