



US00D929484S

(12) **United States Design Patent** (10) **Patent No.:** **US D929,484 S**
Pinna et al. (45) **Date of Patent:** **** Aug. 31, 2021**

(54) **CAMERA**

(71) Applicant: **Axis AB**, Lund (SE)

(72) Inventors: **Claudia Pinna**, Lund (SE); **Jonas Sjögren**, Lund (SE); **Sebastian Engwall**, Lund (SE)

(73) Assignee: **AXIS AB**

(**) Term: **15 Years**

(21) Appl. No.: **29/714,528**

(22) Filed: **Nov. 24, 2019**

(30) **Foreign Application Priority Data**

Jun. 17, 2019 (EM) 006585089

(51) **LOC (13) Cl.** **16-01**

(52) **U.S. Cl.**
USPC **D16/203**

(58) **Field of Classification Search**
USPC D16/200, 202-208, 218, 219, 242;
348/143, 148, 151, 164, 373-376;
396/419, 427, 535, 539-541
CPC G03B 17/02; G03B 19/04; G03B 17/56;
G03B 17/04; G03B 15/03; H04N 5/2251;
H04N 5/2252; H04N 5/2253; H04N
5/2254; H04N 7/181; H04N 7/183; H04N
7/18; G08B 13/1963; G08B 13/19619;
G08B 13/19632; F16M 11/04; F16M
13/00

See application file for complete search history.

(56) **References Cited**

U.S. PATENT DOCUMENTS

D509,234 S *	9/2005	Muto	D16/203
D514,150 S *	1/2006	Muto	D16/203
D585,926 S *	2/2009	Su	D16/203
D634,345 S *	3/2011	Kim	D16/203

D634,347 S *	3/2011	Park	D16/203
D637,640 S *	5/2011	Park	D16/203
D643,453 S *	8/2011	Ham	D16/203
D652,440 S *	1/2012	Davidson	D16/203
D691,187 S *	10/2013	Seo	D16/203
D702,274 S *	4/2014	Qian	D16/203
D721,756 S *	1/2015	Hallstrom	D16/203
D731,574 S *	6/2015	Hallstrom	D16/203
D900,190 S *	10/2020	Park	D16/203

FOREIGN PATENT DOCUMENTS

CN	304958400 S	12/2018
EM	001323653-0001	4/2012
EM	001323653-0002	4/2012
EM	001323653-0003	4/2012

(Continued)

OTHER PUBLICATIONS

Translation of the Taiwanese Search Report for Taiwanese Design Patent Application No. 108307531, dated Jun. 11, 2020, 1 page.

Primary Examiner — Ramzi Almatrahi

(74) *Attorney, Agent, or Firm* — Tucker Ellis LLP

(57) **CLAIM**

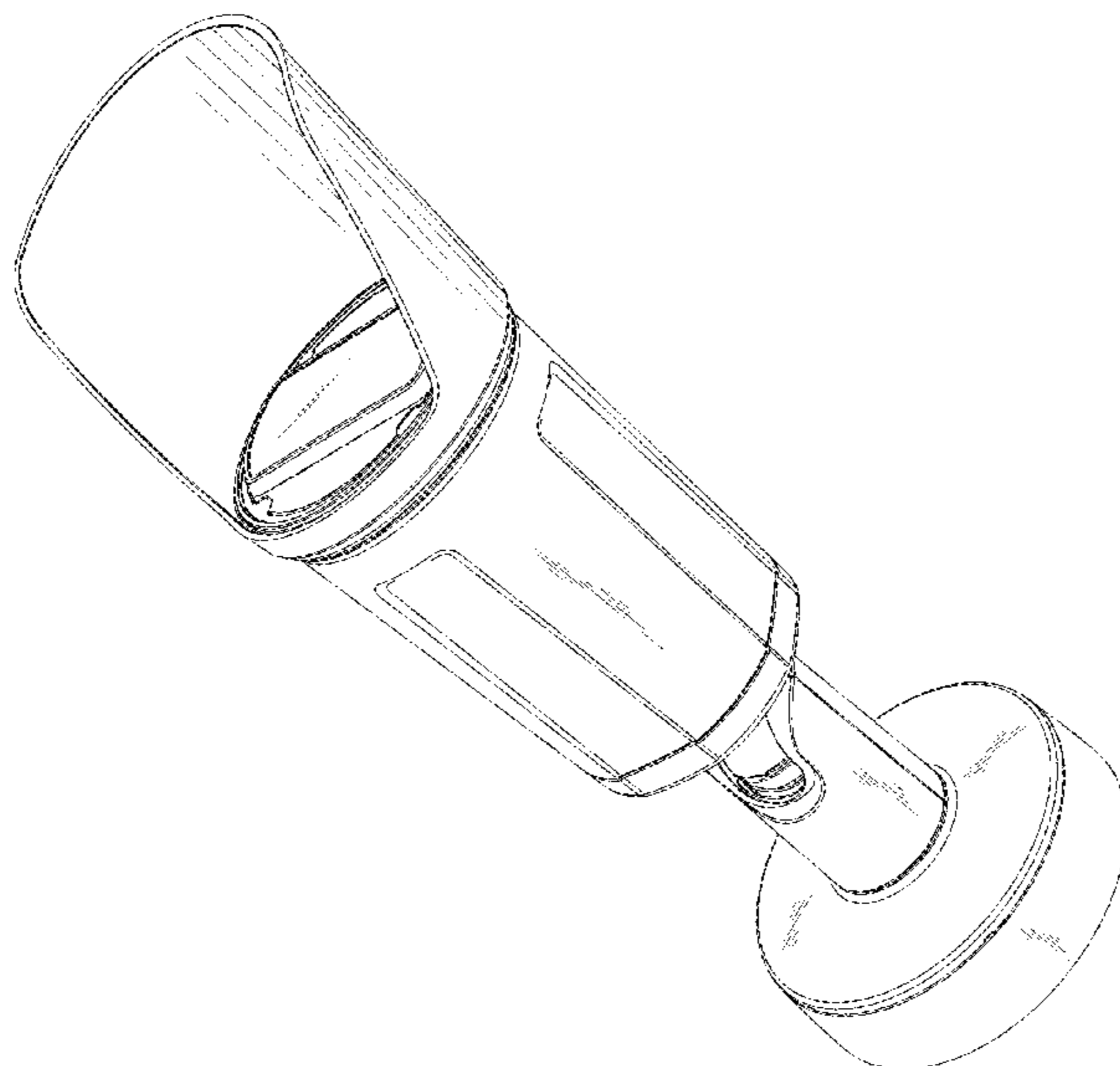
The ornamental design for a camera, as shown and described.

DESCRIPTION

FIG. 1 is a bottom, front and left side perspective view of a camera showing our new design;
 FIG. 2 is a front view thereof;
 FIG. 3 is a rear view thereof;
 FIG. 4 is a right side view thereof;
 FIG. 5 is a left side view thereof;
 FIG. 6 is a top view thereof; and,
 FIG. 7 is a bottom view thereof.

The broken lines depict portions of the camera in which the design is embodied that form no part of the claimed design.

1 Claim, 6 Drawing Sheets



(56)

References Cited

FOREIGN PATENT DOCUMENTS

EM	001323653-0004	4/2012
EM	003110238	5/2016
EM	004666527-0003	6/2018
JP	D1629303 S	4/2019
KR	3009908430002	1/2019
TW	D185814 S	10/2017
TW	D187667 S	1/2018
TW	D189320 S	3/2018
TW	D190812 S	6/2018
TW	D197115 S	4/2019
WO	DM099978	12/2017

* cited by examiner

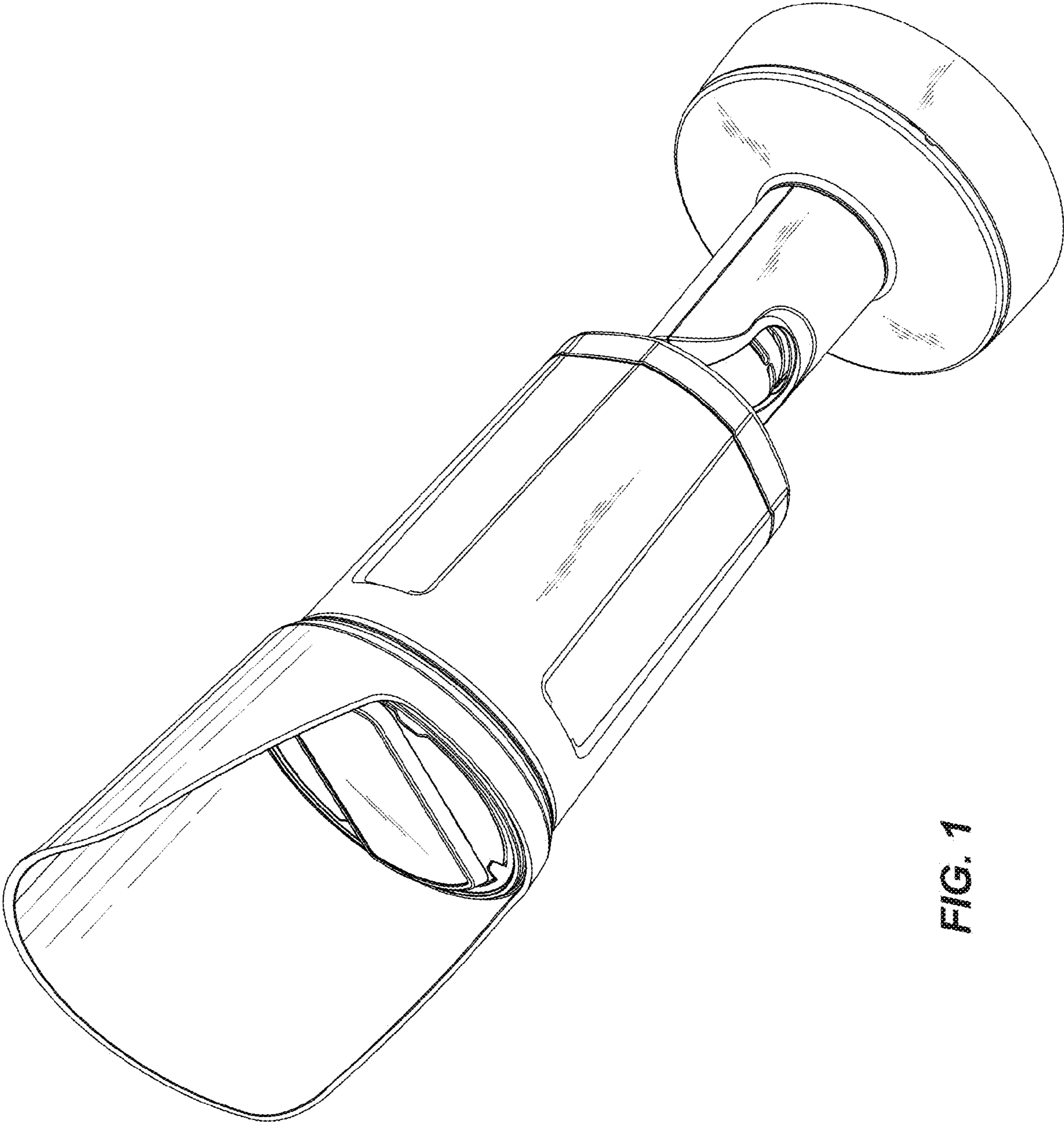


FIG. 1

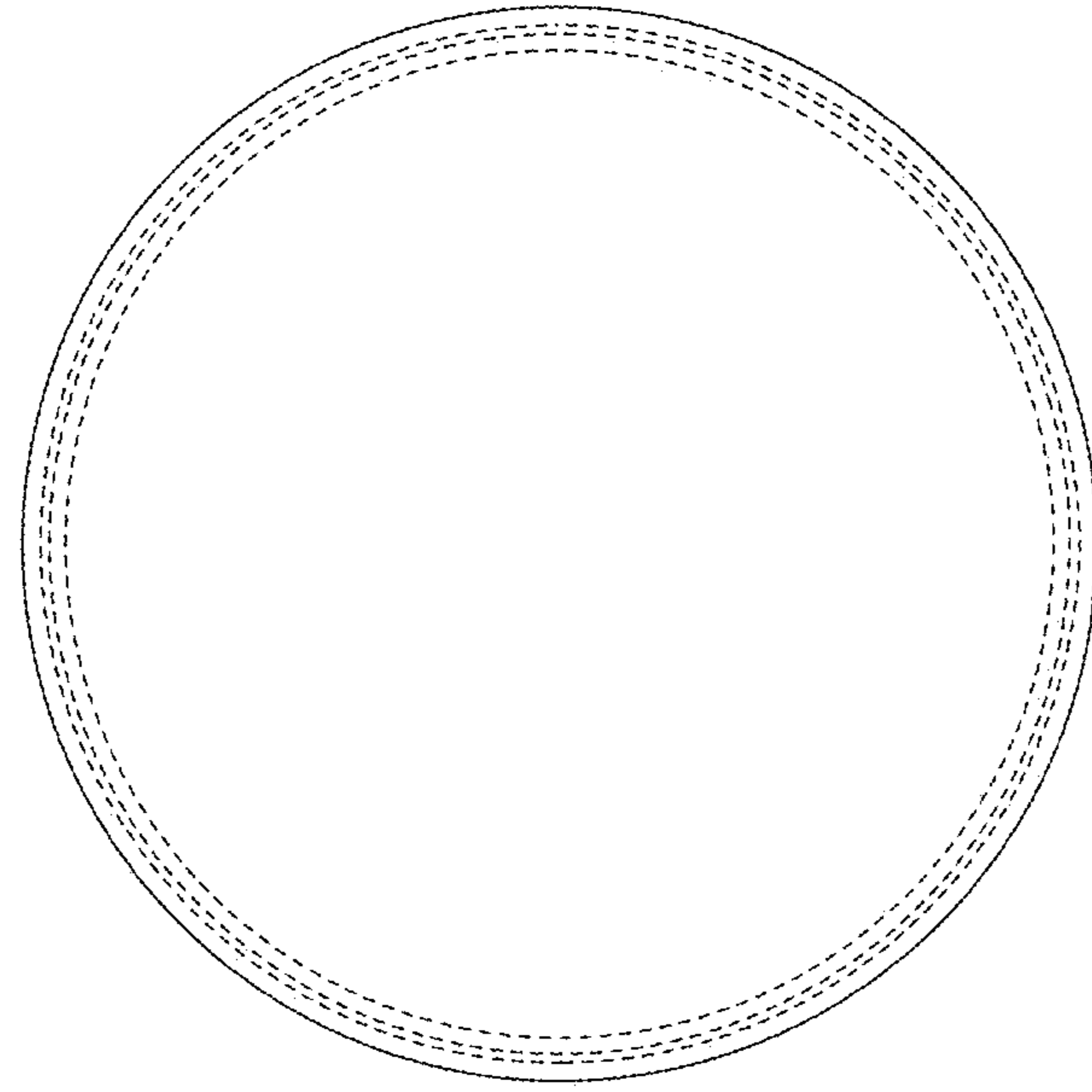


FIG. 3

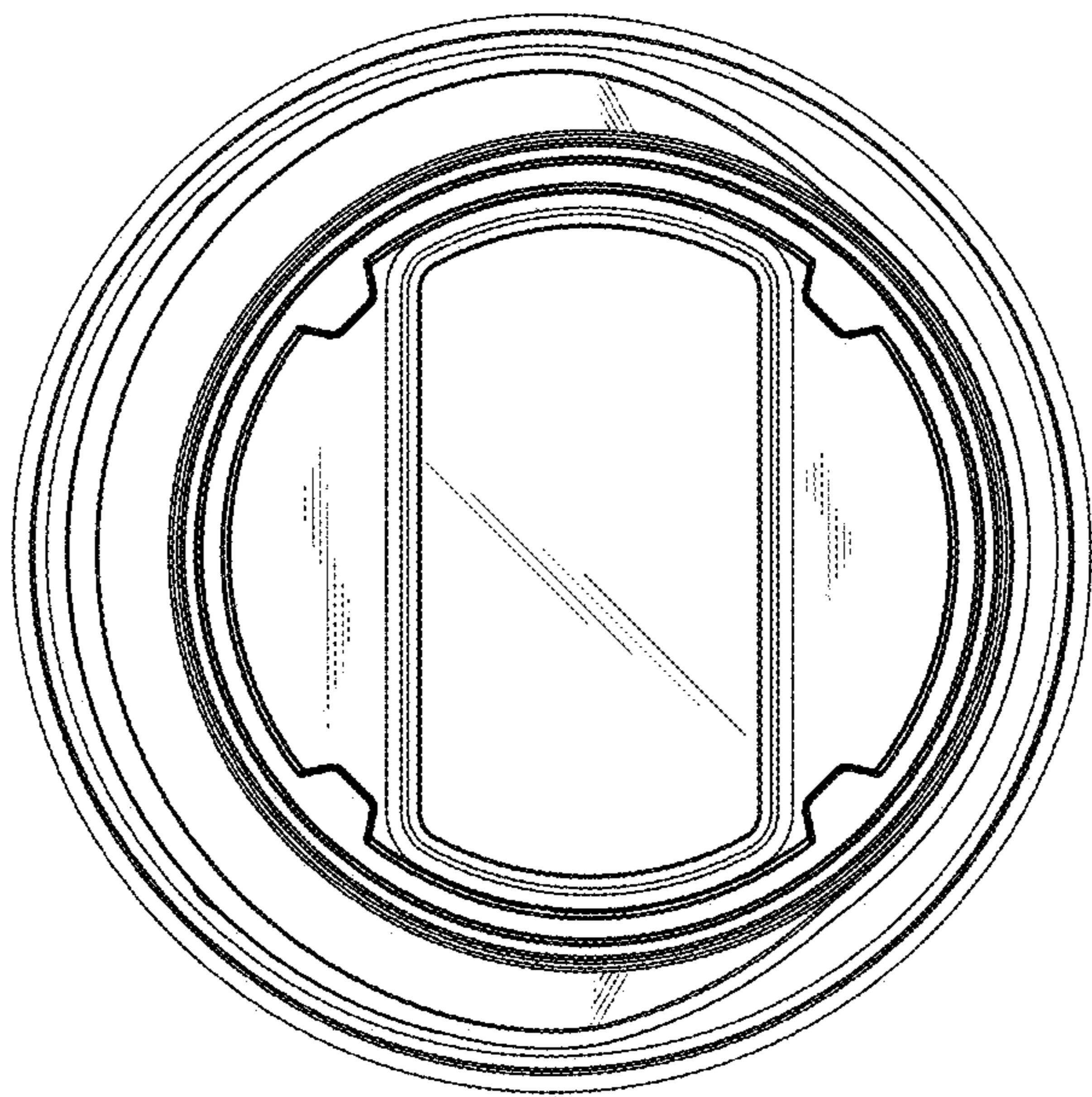


FIG. 2

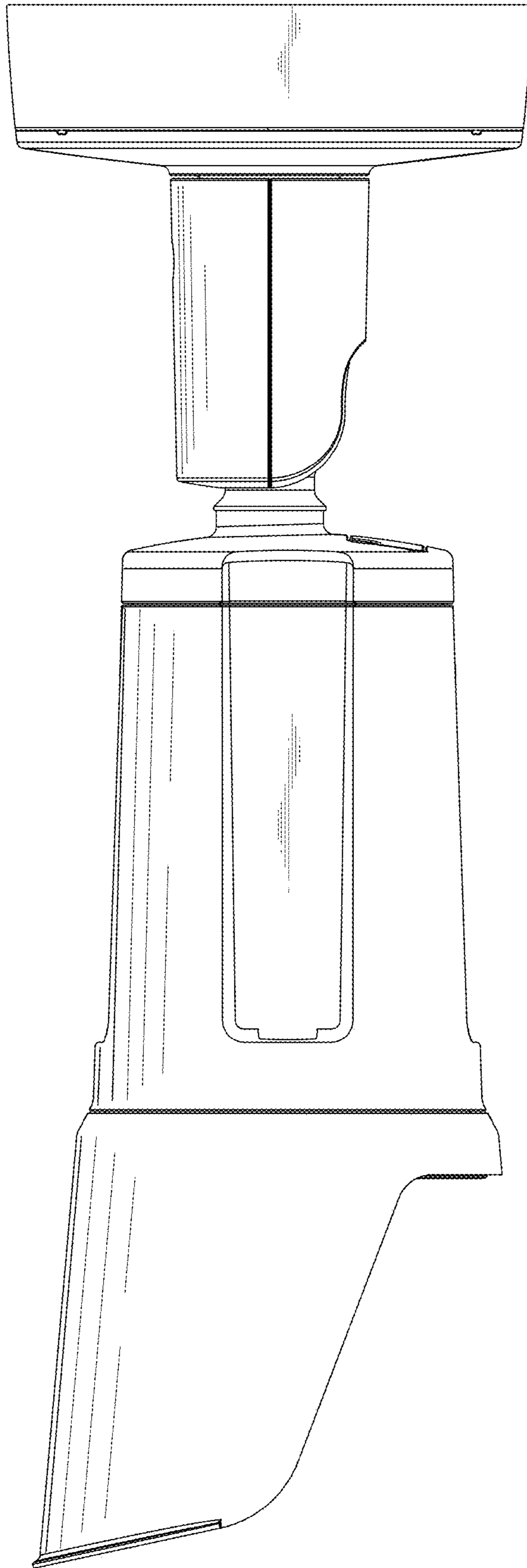


FIG. 4

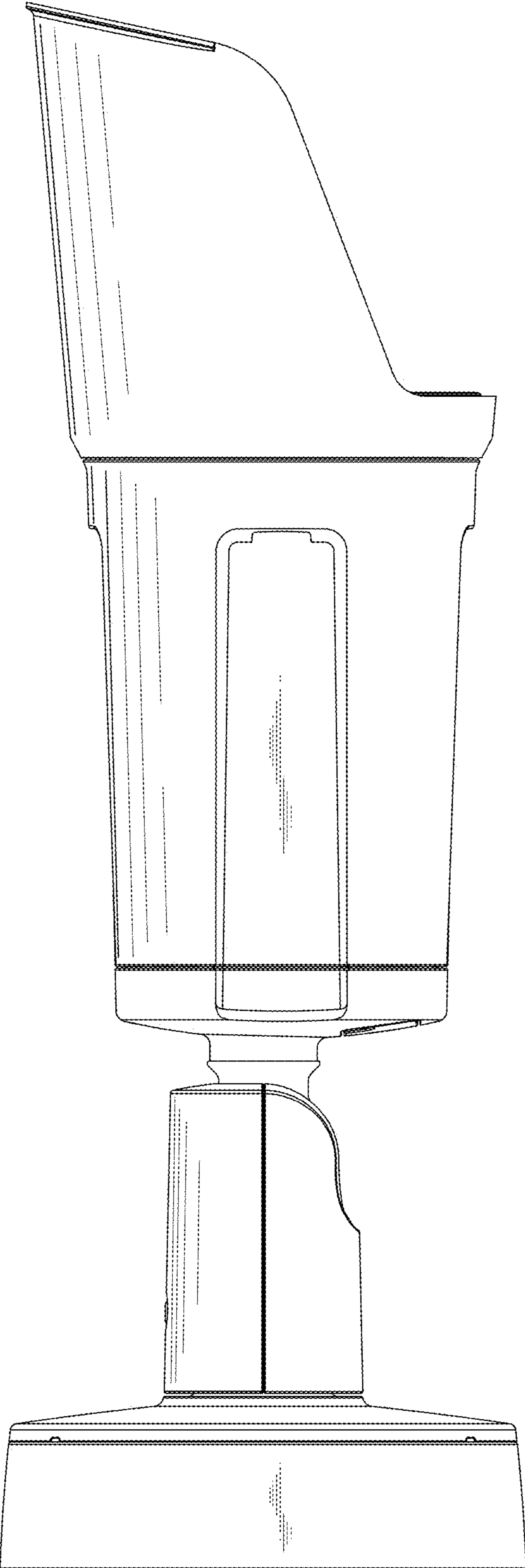


FIG. 5

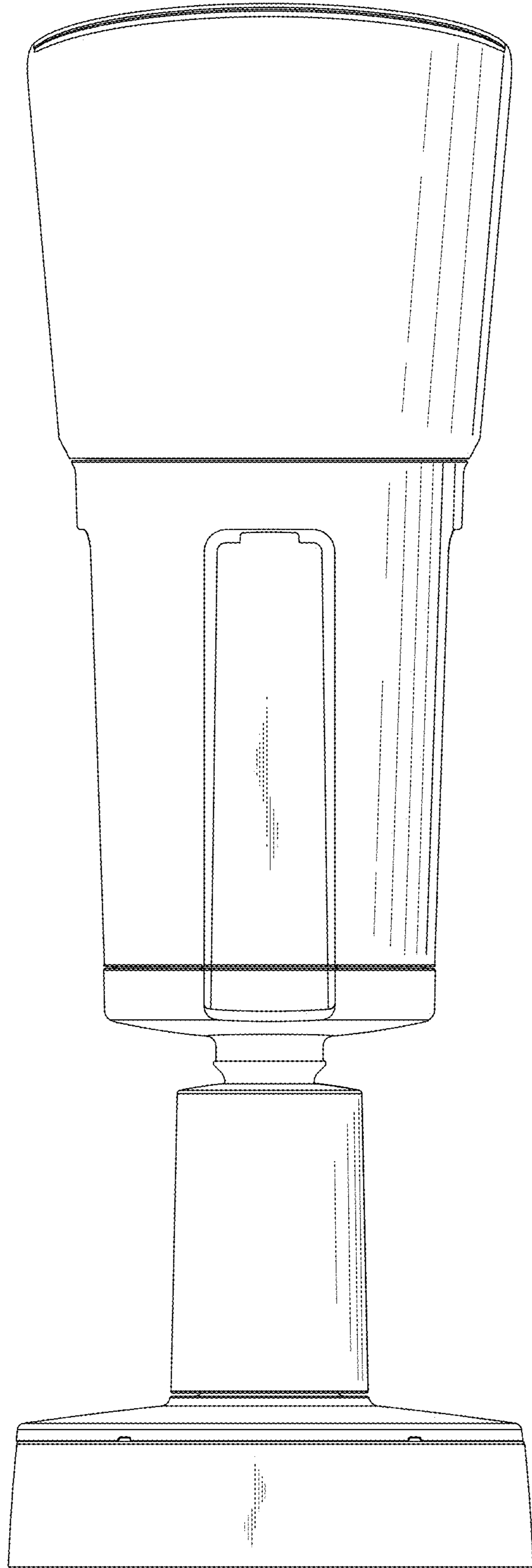


FIG. 6

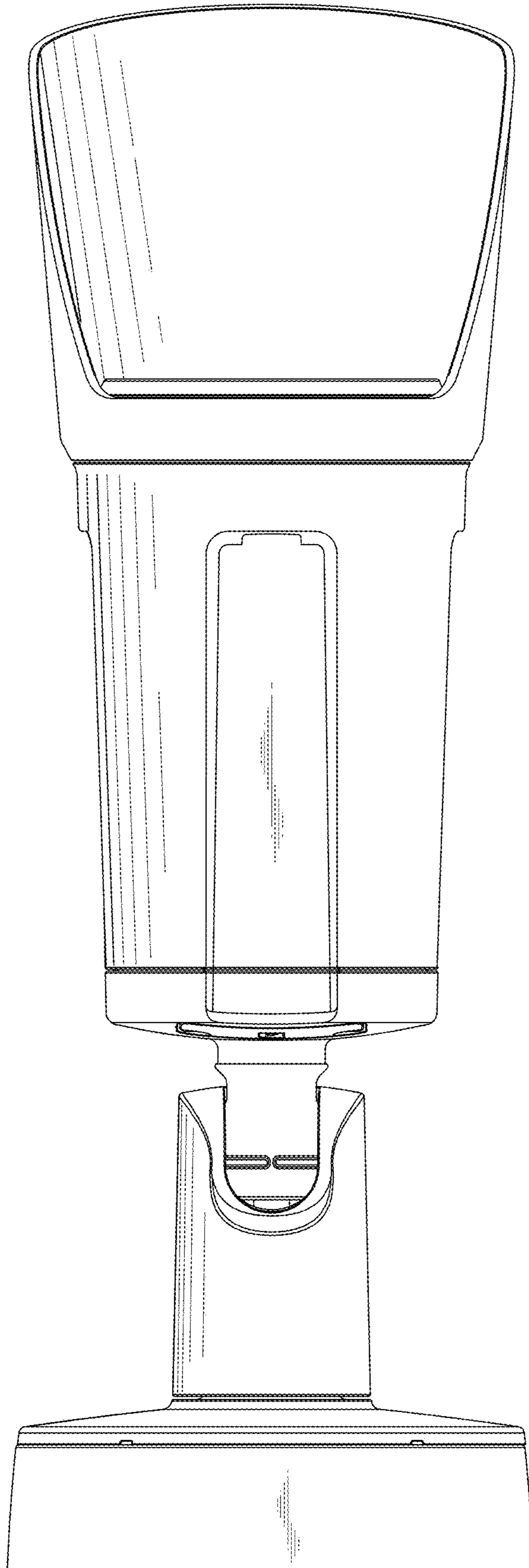


FIG. 7