



US00D929482S

(12) **United States Design Patent** (10) **Patent No.:** **US D929,482 S**
Livaudais et al. (45) **Date of Patent:** **** Aug. 31, 2021**

(54) **CAMERA**
(71) Applicant: **Dolby Laboratories Licensing Corporation**, San Francisco, CA (US)
(72) Inventors: **Christine Anna Livaudais**, San Francisco, CA (US); **Vincent Voron**, Menlo Park, CA (US); **Samuel James Fleming Carr**, San Francisco, CA (US); **Peter Michaelian**, San Francisco, CA (US)

6,845,954 B1 1/2005 Moayer et al.
7,572,073 B2 8/2009 Kenoyer et al.
D600,730 S * 9/2009 Su D16/202
D627,813 S 11/2010 Chen et al.
D631,497 S * 1/2011 Han D16/202
D641,388 S * 7/2011 Shih D16/202
D643,456 S 8/2011 Won et al.
D665,439 S * 8/2012 Khamsepoor D16/202
D669,108 S 10/2012 Maeyama
D674,430 S * 1/2013 Inoue D16/218

(Continued)

FOREIGN PATENT DOCUMENTS

(73) Assignee: **Dolby Laboratories Licensing Corporation**, San Francisco, CA (US)

JP 1493703 3/2014

(**) Term: **15 Years**

OTHER PUBLICATIONS

(21) Appl. No.: **29/691,744**

Avaya, Scopia® XT Executive 240 (55411-00001), <<https://support.avaya.com/products/P1455/scopia-xt-executive-240>>.

(22) Filed: **May 18, 2019**

(Continued)

(51) **LOC (13) Cl.** **16-01**

Primary Examiner — Ramzi S Almatrahi

(52) **U.S. Cl.**
USPC **D16/202**

(74) *Attorney, Agent, or Firm* — Saidman DesignLaw Group, LLC

(58) **Field of Classification Search**
USPC D10/61, 63, 65, 70, 71, 104.1, 106.7;
D16/200, 202–203, 207, 208, 218, 219;
D14/203.1, 204, 209.1, 496, 497;
348/14.01–14.6, 373–376; 396/427, 535,
396/539–541

(57) **CLAIM**

The ornamental design for a camera, as shown and described.

CPC G03B 17/02; G03B 19/04; G03B 17/56;
G03B 17/04; G03B 15/03; H04N 5/2251;
H04N 5/2252; H04N 5/2253; H04N
5/2254; H04N 2101/00; H04N 2007/145;
H04N 7/141; H04N 7/142; H04N 7/147;
H04N 7/148; H04N 7/15; H04N 7/152

DESCRIPTION

See application file for complete search history.

FIG. 1 is a perspective view of a camera showing our new design;
FIG. 2 is a front view thereof;
FIG. 3 is a rear view thereof;
FIG. 4 is a left side view thereof;
FIG. 5 is a right side view thereof;
FIG. 6 is a top view thereof; and,
FIG. 7 is a bottom view thereof.

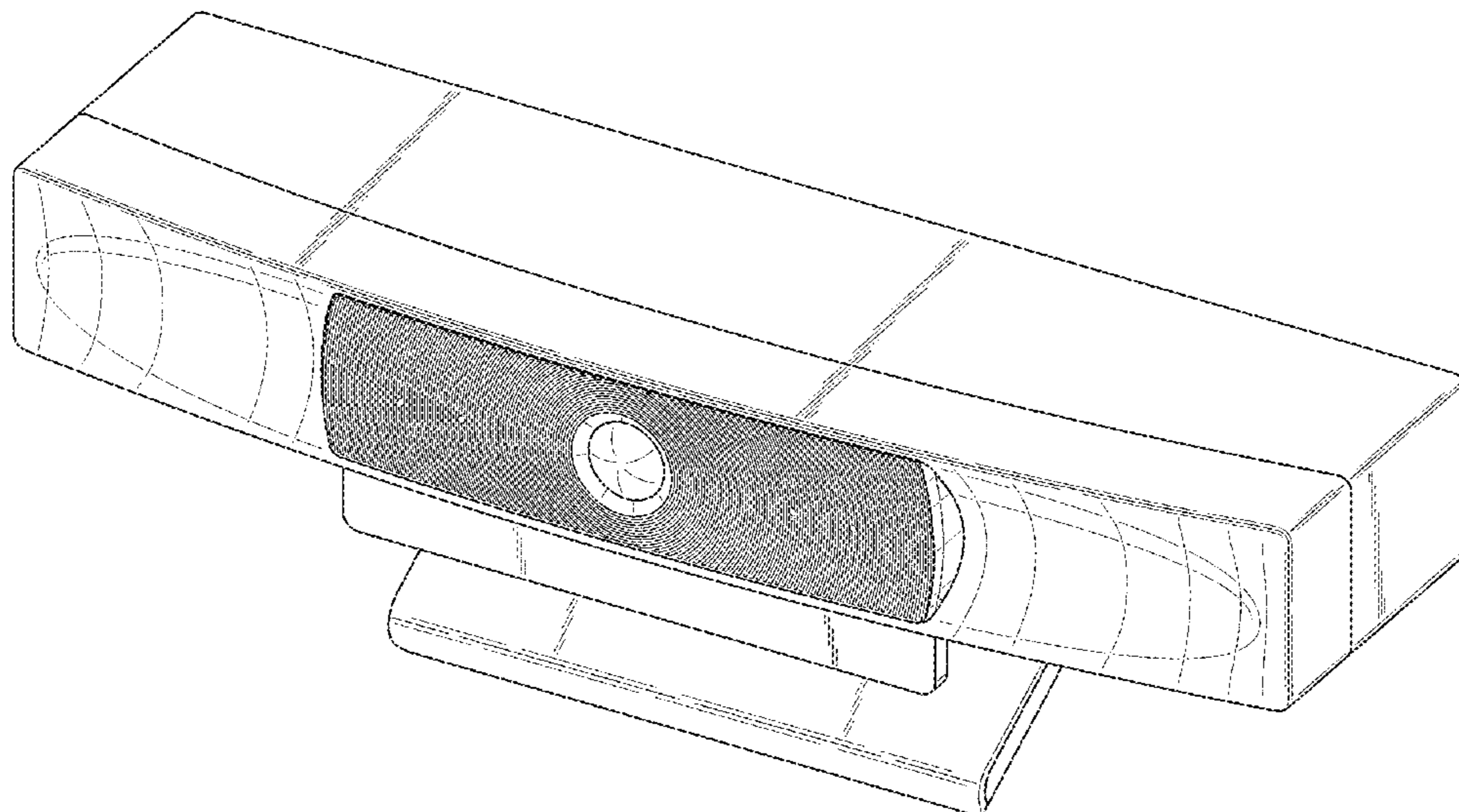
The broken lines depict portions of the camera in which the design is embodied that form no part of the claimed design.

(56) **References Cited**

U.S. PATENT DOCUMENTS

6,738,094 B1 5/2004 Minami et al.
D497,975 S 11/2004 Zhang et al.

1 Claim, 6 Drawing Sheets



(56)

References Cited

U.S. PATENT DOCUMENTS

D680,144 S * 4/2013 Tsai D16/202
D680,569 S * 4/2013 Lee D16/202
D682,332 S * 5/2013 Wang D16/202
D685,015 S * 6/2013 Wang D16/202
D688,775 S 8/2013 Tsai
8,593,567 B2 * 11/2013 Xiao H04N 5/2251
348/373
D709,117 S * 7/2014 Gan D16/202
D745,586 S 12/2015 Chou et al.
D870,790 S * 12/2019 Depay D16/202
D875,811 S * 2/2020 Xiong D16/208
2005/0231587 A1 10/2005 Root et al.

OTHER PUBLICATIONS

U.S. Appl. No. 29/639,633 of Voron et al., titled "Camera System",
filed Mar. 7, 2018 (unpublished).
U.S. Appl. No. 29/639,635 of Voron et al., titled "Camera System",
filed Mar. 7, 2018 (unpublished).
U.S. Appl. No. 29/642,477 of Michaelian et al., titled "Video
Camera", filed Mar. 29, 2018 (unpublished).
U.S. Appl. No. 29/651,500, titled "Video Camera", filed Aug. 20,
2018 (abandoned).
U.S. Appl. No. 29/660,874 of Michaelian et al., titled "Video
Camera", filed Aug. 23, 2018.

* cited by examiner

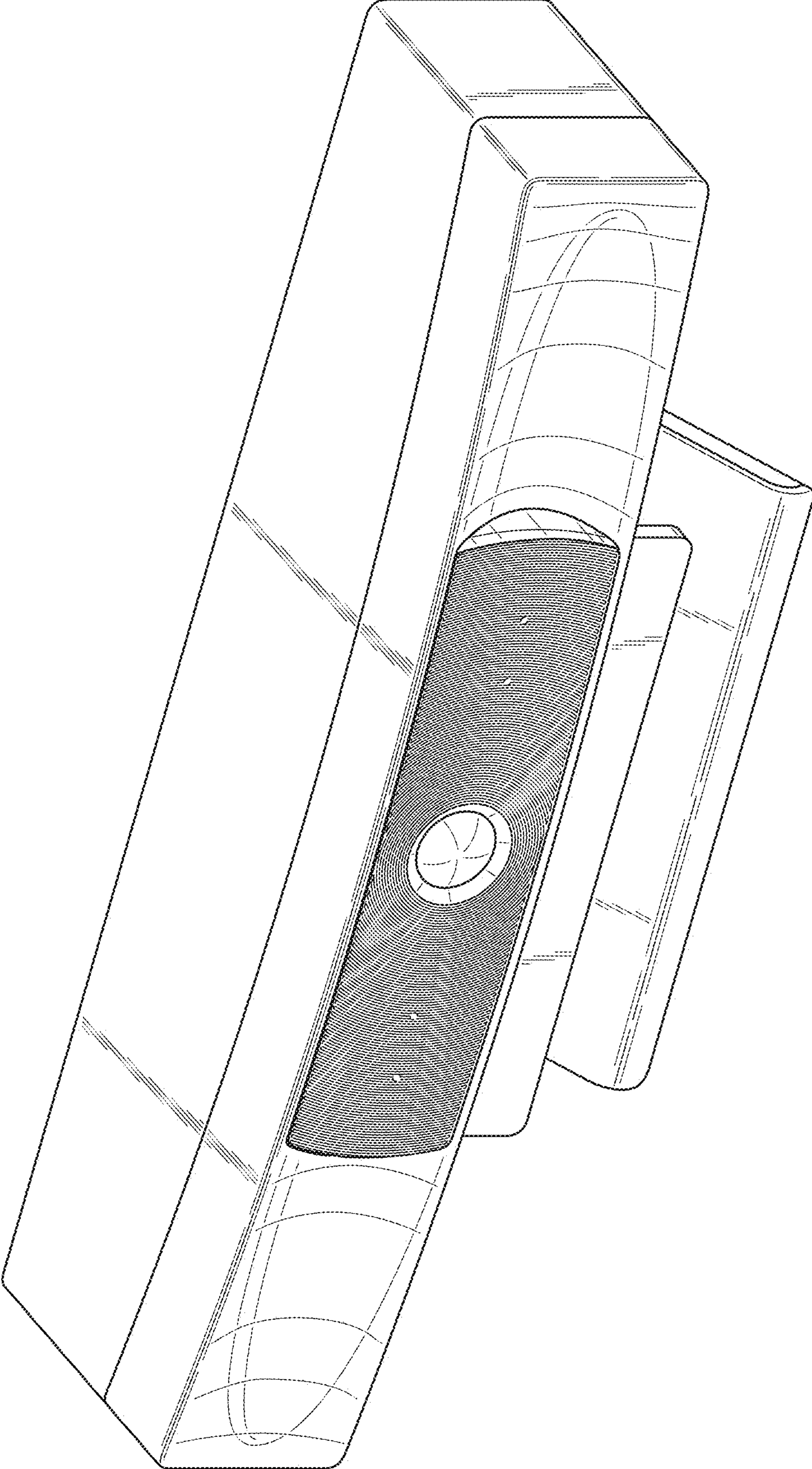


FIG. 1

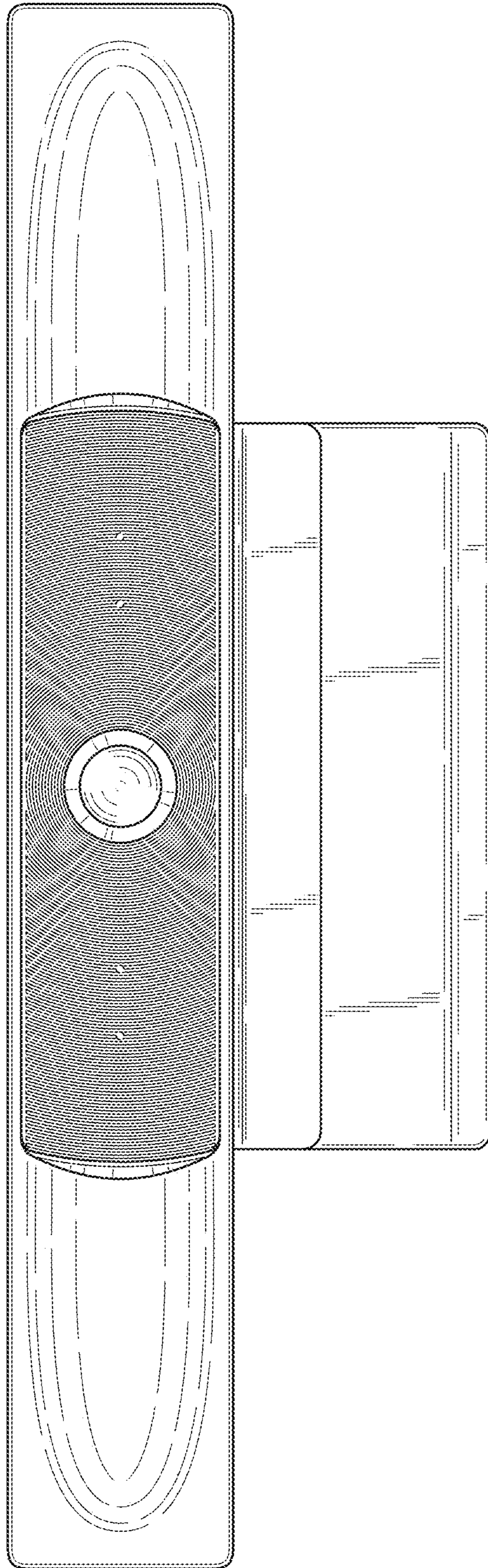


FIG. 2

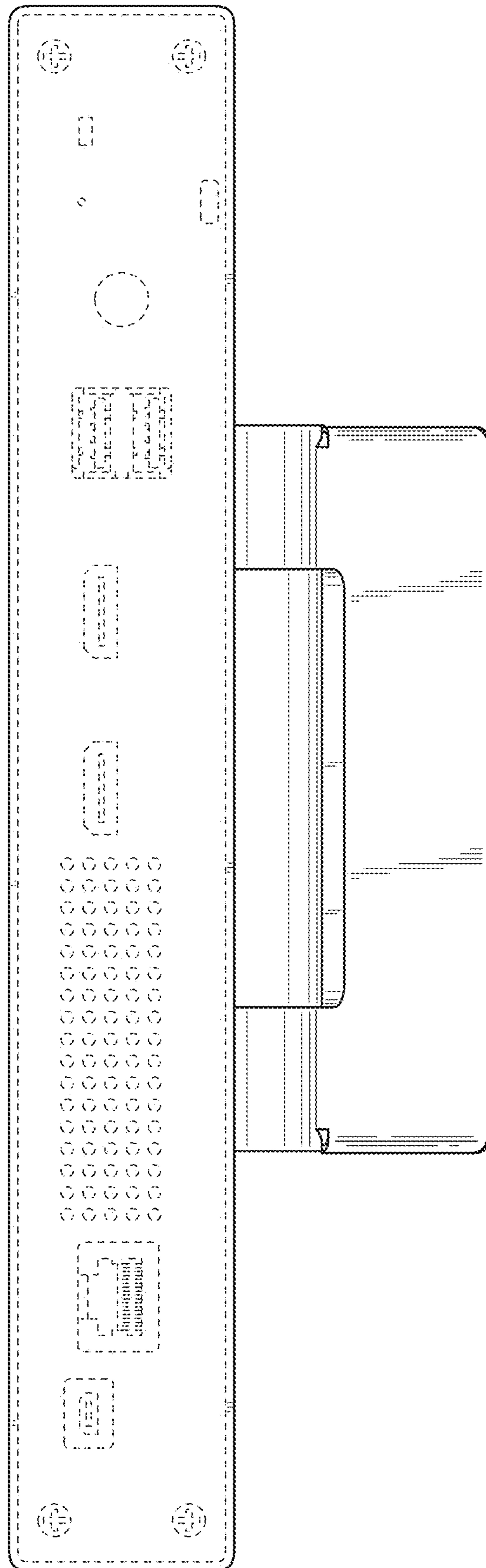


FIG. 3

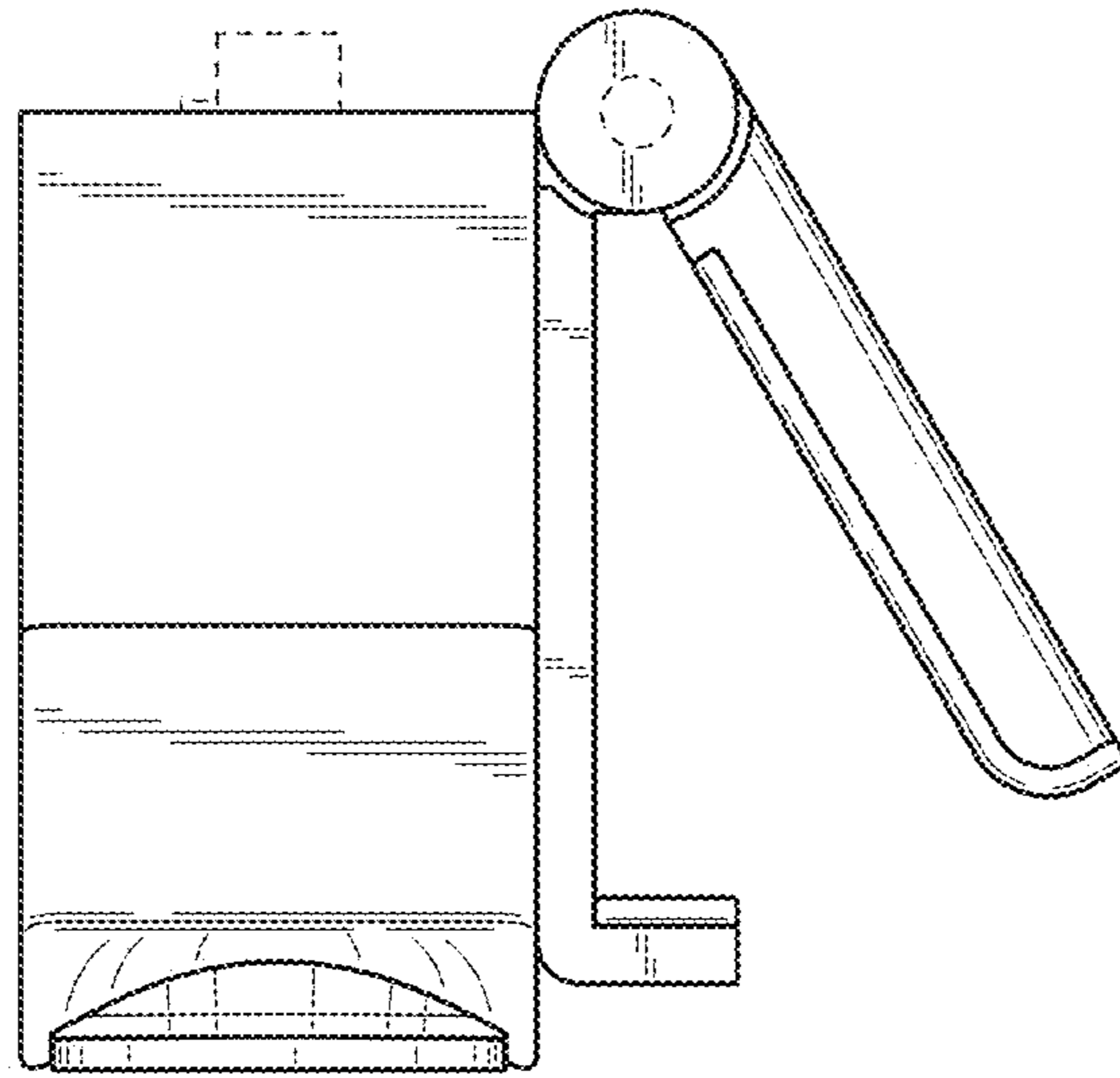


FIG. 5

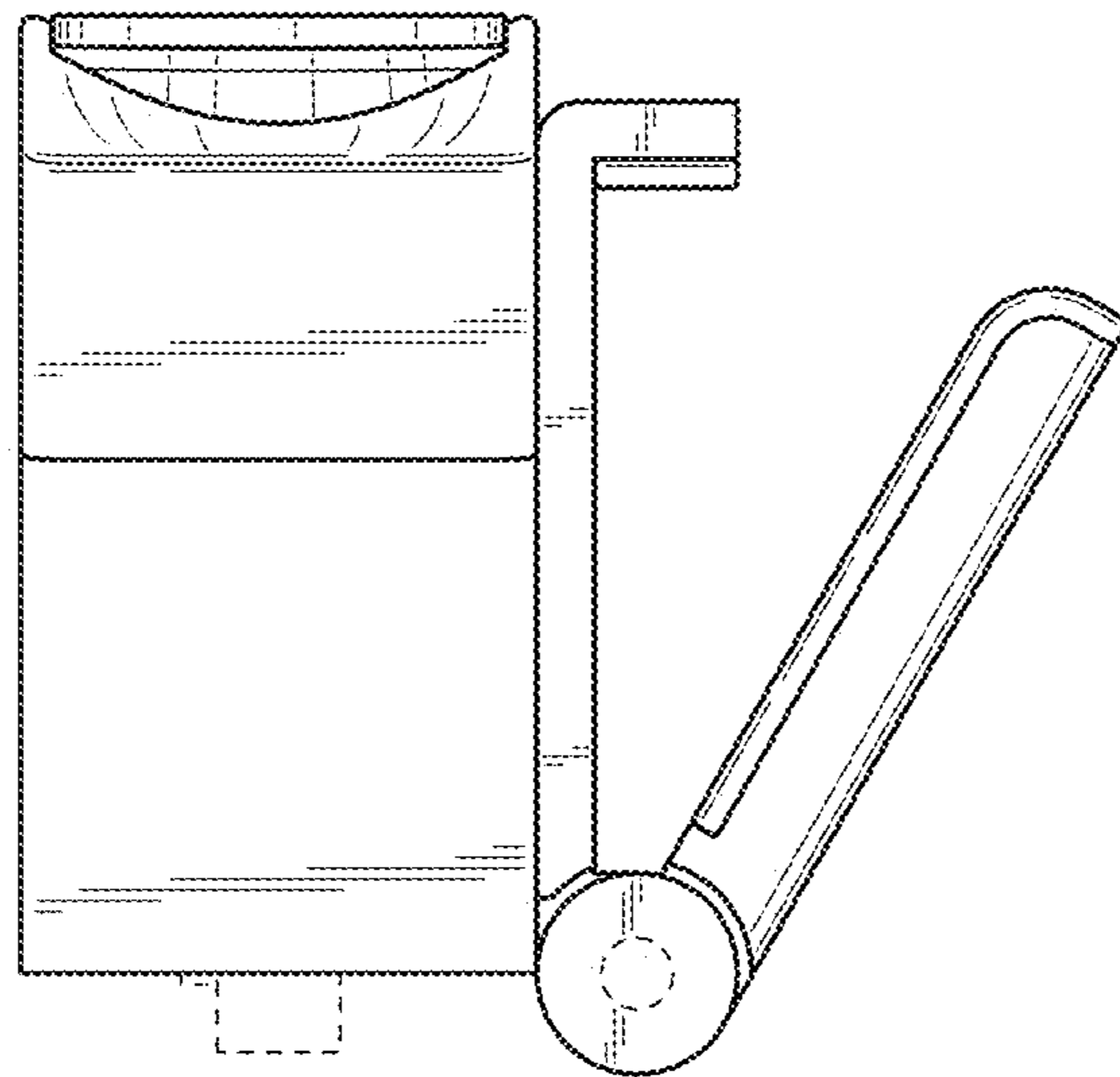


FIG. 4

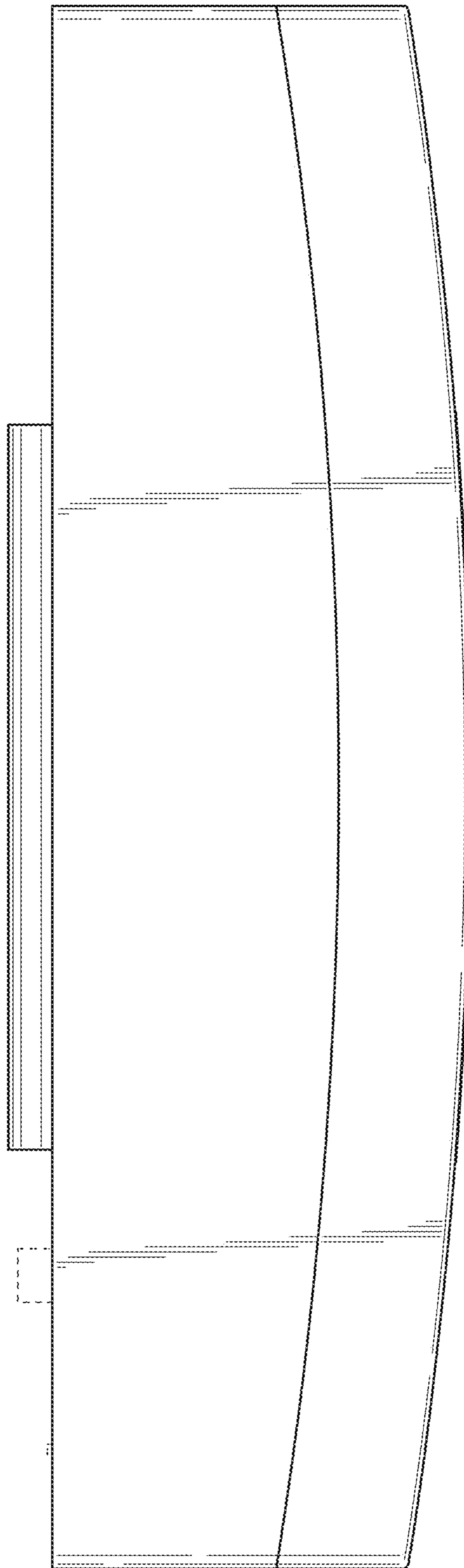


FIG. 6

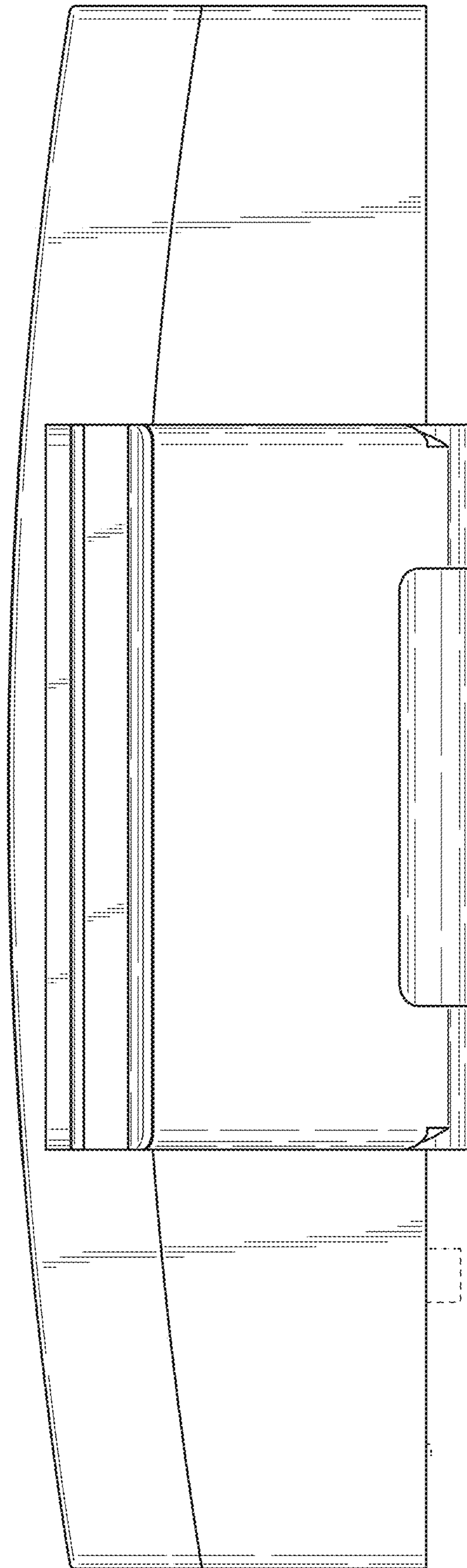


FIG. 7

UNITED STATES PATENT AND TRADEMARK OFFICE
CERTIFICATE OF CORRECTION

PATENT NO. : D929,482 S
APPLICATION NO. : 29/691744
DATED : August 31, 2021
INVENTOR(S) : Christine Anna Livaudais et al.

Page 1 of 1

It is certified that error appears in the above-identified patent and that said Letters Patent is hereby corrected as shown below:

On the Title Page

(56) References Cited, Column 1, under U.S. PATENT DOCUMENTS, Line 2:

--D497,975--

Should read:

--D497,925--

(56) References Cited, Page 2, Column 1, under U.S. PATENT DOCUMENTS, Line 5:

--D688,775--

Should read:

--D688,725--

Signed and Sealed this
Twenty-first Day of December, 2021



Drew Hirshfeld
*Performing the Functions and Duties of the
Under Secretary of Commerce for Intellectual Property and
Director of the United States Patent and Trademark Office*