

US00D929481S

(12) **United States Design Patent**  
**Martin**

(10) **Patent No.:** **US D929,481 S**

(45) **Date of Patent:** **\*\* Aug. 31, 2021**

(54) **INDUSTRIAL ROBOTS**

(71) Applicant: **STAUBLI FAVERGES**,  
Faverges-Seythenex (FR)

(72) Inventor: **Stéphane Martin**, Veyrier-du-Lac (FR)

(\*\*) Term: **15 Years**

(21) Appl. No.: **35/505,965**

(22) Filed: **Apr. 27, 2018**

(80) **Hague Agreement Data**

Int. Filing Date: **Apr. 27, 2018**

Int. Reg. No.: **DM/103300**

Int. Reg. Date: **Apr. 27, 2018**

Int. Reg. Pub. Date: **Nov. 2, 2018**

(51) **LOC (13) Cl.** ..... **15-99**

(52) **U.S. Cl.**  
USPC ..... **D15/199**  
CPC ..... **B25J 9/102** (2013.01)

(58) **Field of Classification Search**  
USPC ..... D15/199; D21/578-583, 621, 622;  
D23/259, 262, 263  
CPC ... B25J 9/102; B25J 9/104; B25J 9/126; B25J  
17/00; B25J 18/00; Y10S 901/23; Y10S  
901/25; Y10S 901/20311; Y10S  
901/2031; Y10S 901/20323; Y10S  
901/20329

See application file for complete search history.

(56) **References Cited**

**U.S. PATENT DOCUMENTS**

D268,033 S \* 2/1983 Stackhouse ..... D15/122  
D269,681 S \* 7/1983 Morser ..... D15/122  
4,645,084 A \* 2/1987 Deike ..... B25J 9/046  
173/194  
D444,488 S \* 7/2001 Selic ..... D15/199  
D449,057 S \* 10/2001 Selic ..... D15/199  
D569,886 S \* 5/2008 Larsson ..... D15/199  
D607,477 S \* 1/2010 Suarez ..... D15/199

D609,258 S \* 2/2010 Mortimer ..... D15/199  
D638,044 S \* 5/2011 Ikoma ..... D15/199  
D670,319 S \* 11/2012 Liu ..... D15/199  
D677,294 S \* 3/2013 Long ..... D15/199  
8,525,460 B2 \* 9/2013 Reiland ..... B25J 9/1641  
267/277  
D692,041 S \* 10/2013 Selic ..... D15/199  
D716,357 S \* 10/2014 Gombert ..... D15/199  
9,375,841 B1 \* 6/2016 Kemper ..... B25J 13/085  
D766,348 S \* 9/2016 Long ..... D15/199  
D776,178 S \* 1/2017 Ries ..... D15/199  
D778,971 S \* 2/2017 Long ..... D15/199  
D790,618 S \* 6/2017 Ke ..... D15/199  
D802,041 S \* 11/2017 He ..... D15/199  
D818,019 S \* 5/2018 Huang ..... D15/199  
D825,632 S \* 8/2018 Clemmer ..... D15/199  
D830,439 S \* 10/2018 Park ..... D15/199  
D831,087 S \* 10/2018 Morimoto ..... D15/199  
D837,294 S \* 1/2019 Ciniello ..... D19/59  
D837,853 S \* 1/2019 Deng ..... D15/199  
D839,941 S \* 2/2019 Gao ..... D15/199  
D839,942 S \* 2/2019 Feng ..... D15/199  
D841,065 S \* 2/2019 Hontani ..... D15/199  
D841,710 S \* 2/2019 Klassen ..... D15/199  
D841,712 S \* 2/2019 Hontani ..... D15/199  
D846,127 S \* 4/2019 Yang ..... D24/185  
D852,862 S \* 7/2019 Dosho ..... D15/199

(Continued)

*Primary Examiner* — Richard E Chilcot

(57) **CLAIM**

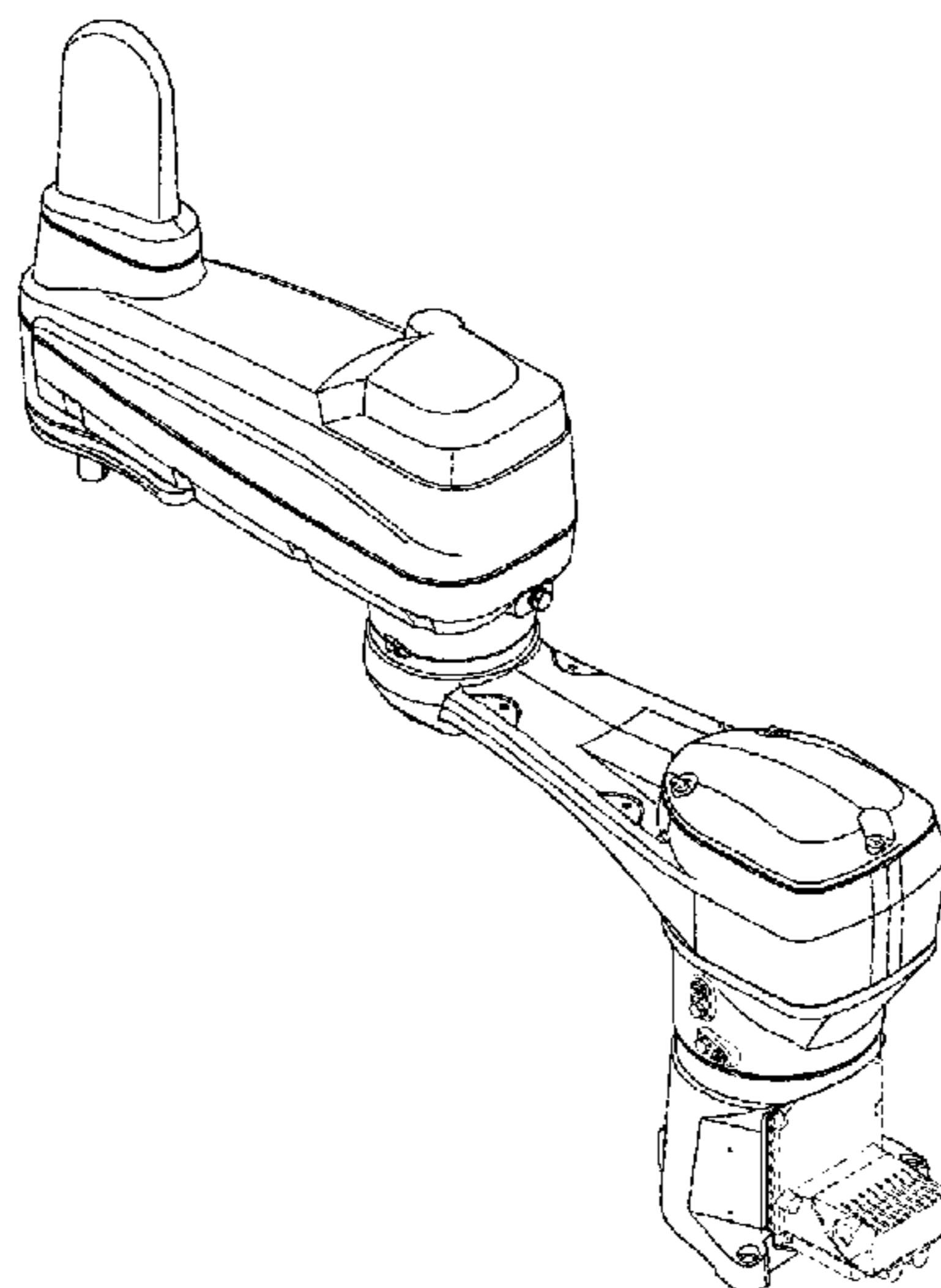
The ornamental design for a industrial robots, as shown and described.

**DESCRIPTION**

- 2.1 : Perspective
- 2.2 : Front
- 2.3 : Back
- 2.4 : Left
- 2.5 : Right
- 2.6 : Top
- 2.7 : Bottom

Elements drawn in broken lines are environmental features that form no part of the claimed design.

**1 Claim, 7 Drawing Sheets**



(56)

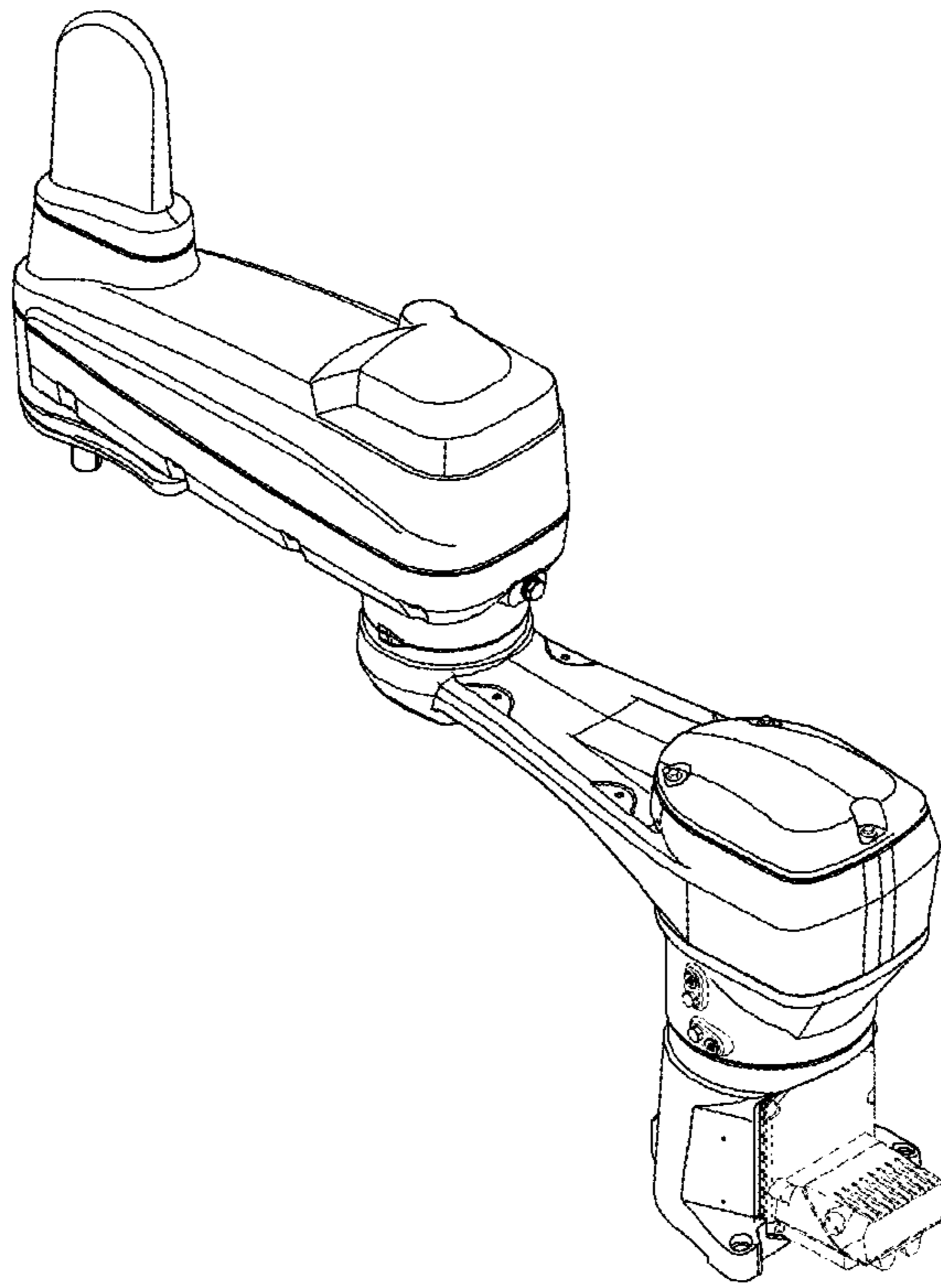
**References Cited**

## U.S. PATENT DOCUMENTS

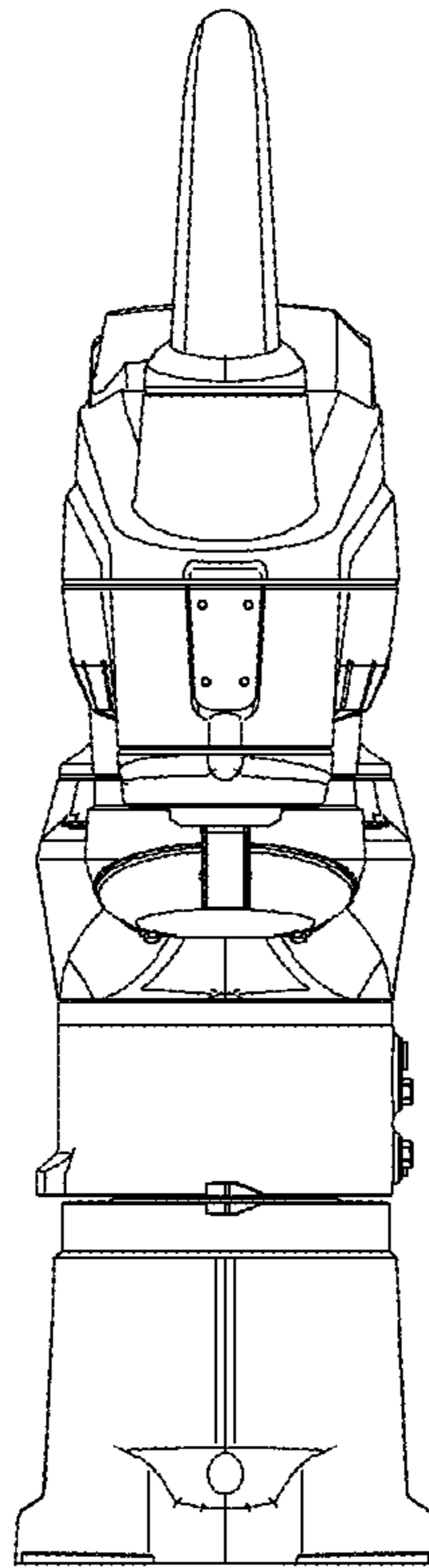
D852,863	S *	7/2019	Dosho .....	D15/199
D856,390	S *	8/2019	Morimoto .....	D15/199
D865,828	S *	11/2019	Bogart .....	D15/199
D870,169	S *	12/2019	Dosho .....	D15/199
2011/0064554	A1 *	3/2011	Ito .....	B25J 9/047 414/735
2011/0107866	A1 *	5/2011	Oka .....	B25J 9/0084 74/490.03
2013/0125694	A1 *	5/2013	Long .....	B25J 11/0075 74/490.01
2014/0102239	A1 *	4/2014	Umeno .....	B25J 15/0033 74/490.01
2014/0137687	A1 *	5/2014	Nogami .....	B25J 18/00 74/490.03
2014/0224057	A1 *	8/2014	Tanaka .....	B25J 9/102 74/490.05
2016/0101518	A1 *	4/2016	Saito .....	B25J 9/0009 74/490.03
2016/0331482	A1 *	11/2016	Hares .....	B25J 9/1689
2017/0020615	A1 *	1/2017	Koenig .....	A61B 34/30

\* cited by examiner

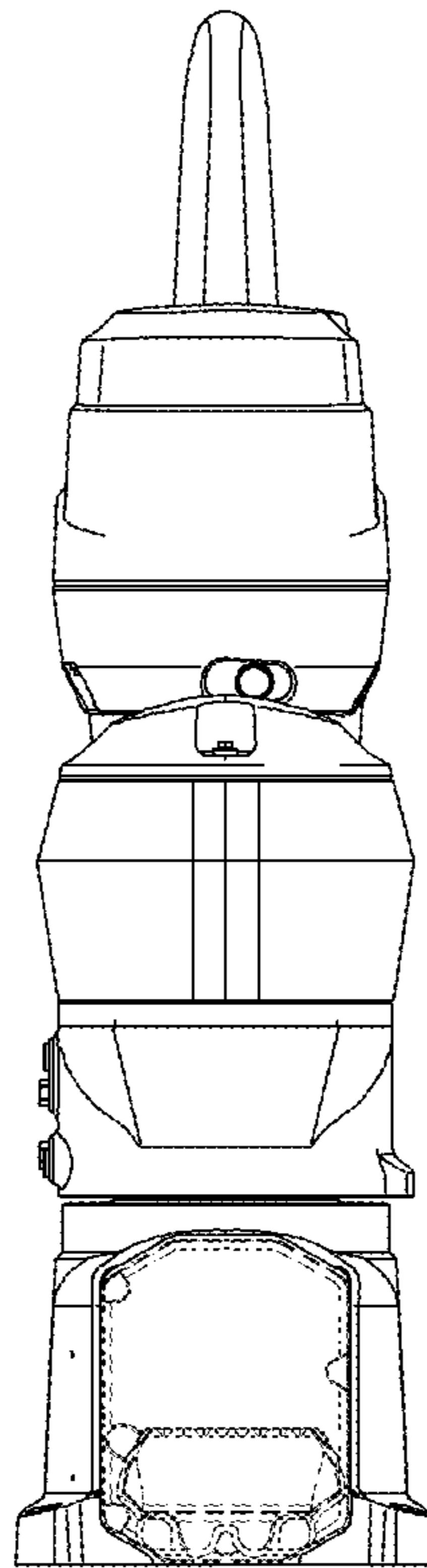
2.1



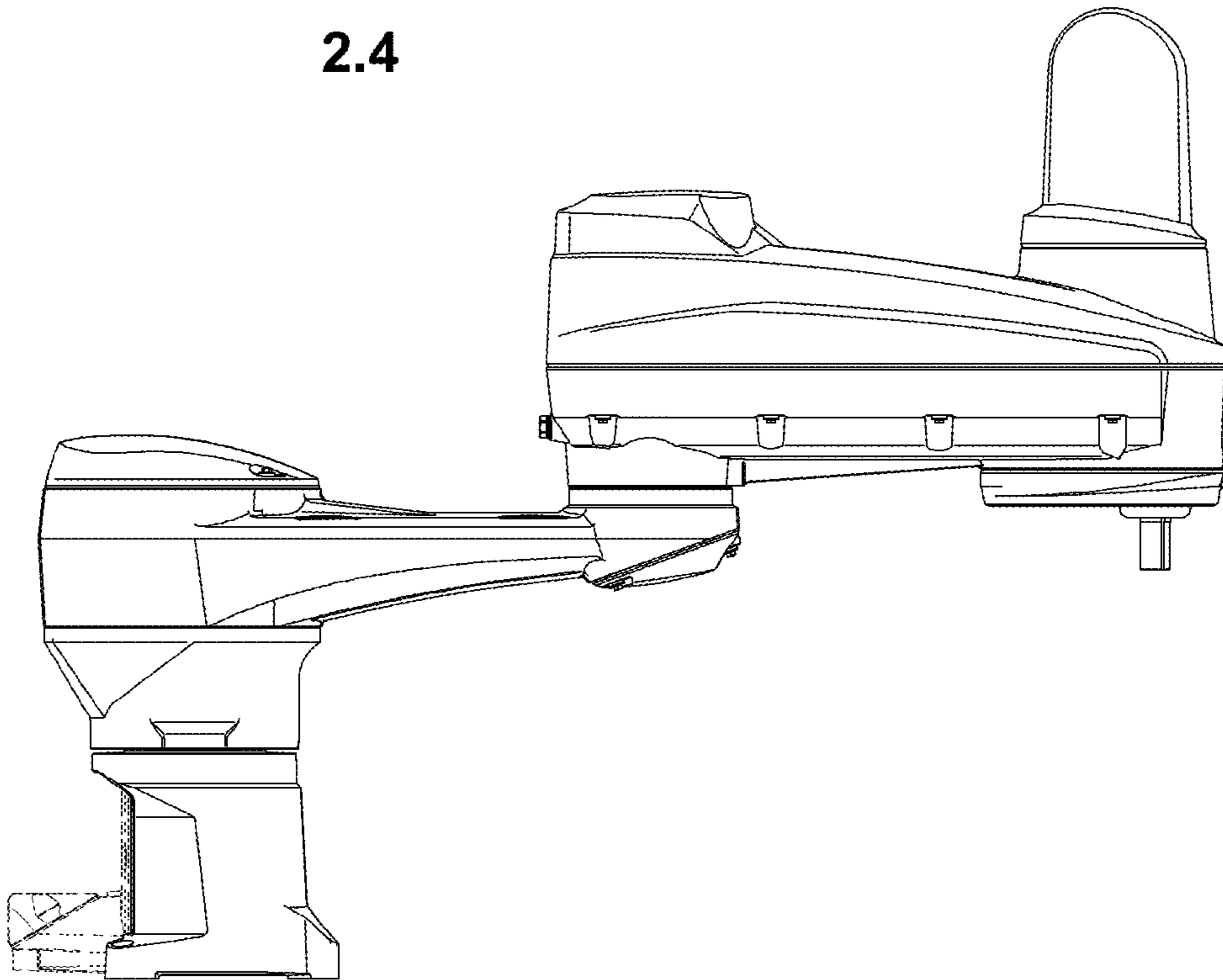
2.2



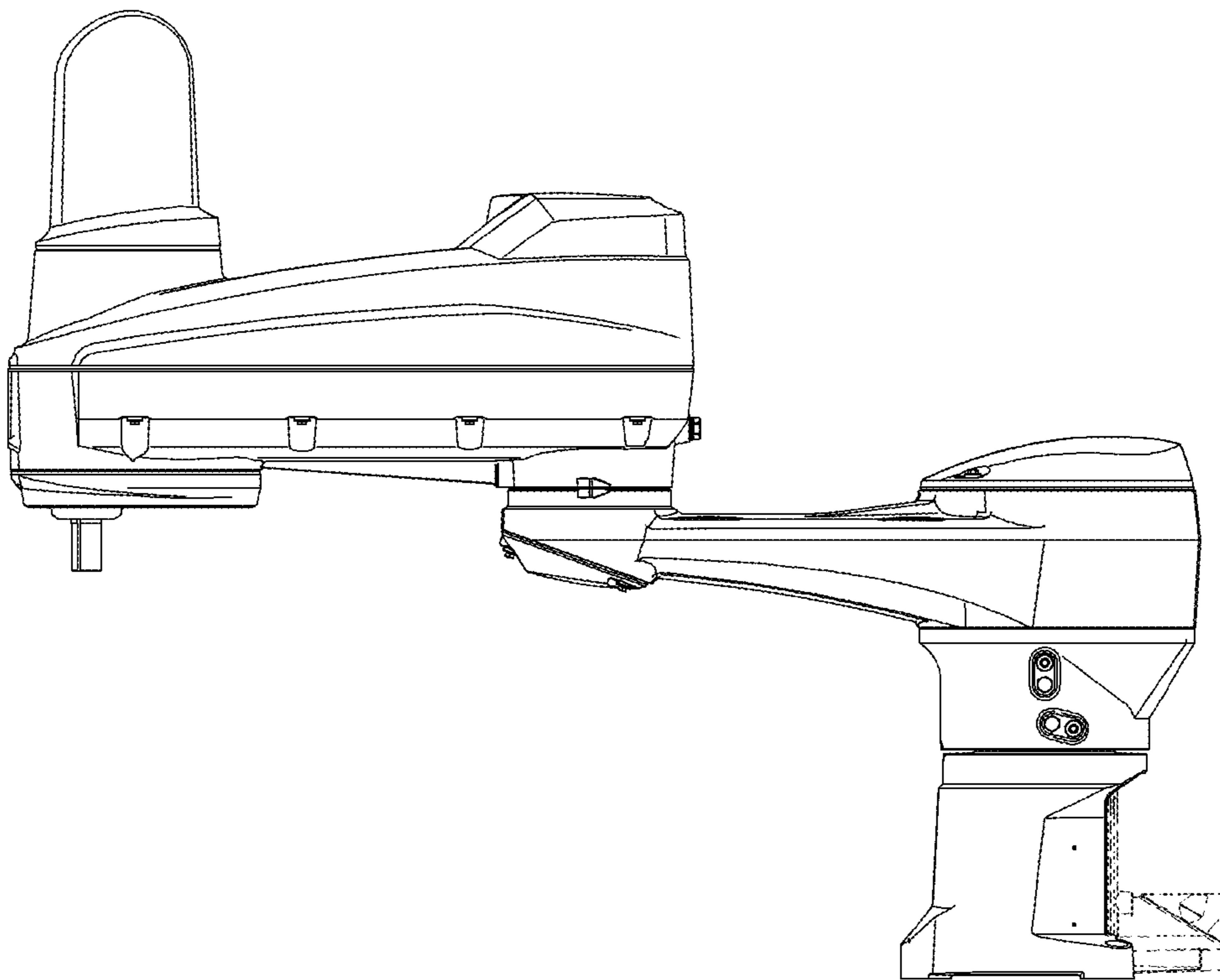
2.3



2.4

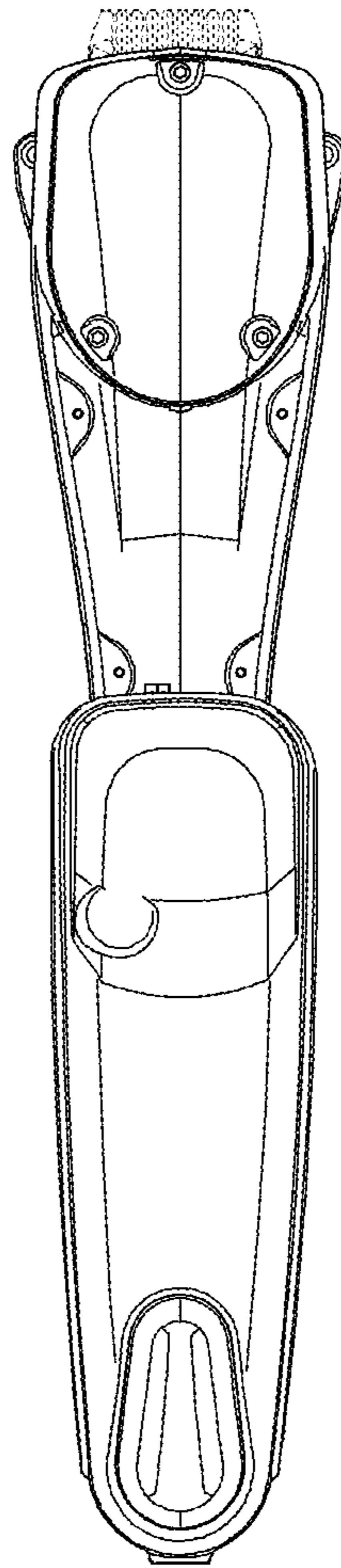


2.5





2.6





2.7

