



US00D929480S

(12) **United States Design Patent**  
**Gao**

(10) **Patent No.:** **US D929,480 S**

(45) **Date of Patent:** **\*\* Aug. 31, 2021**

- (54) **TRANSPORTATION VEHICLE**
- (71) Applicant: **HANGZHOU HIKROBOT TECHNOLOGY CO., LTD.**, Hangzhou (CN)
- (72) Inventor: **Jialong Gao**, Hangzhou (CN)
- (73) Assignee: **HANGZHOU HIKROBOT TECHNOLOGY CO., LTD.**, Hangzhou (CN)

- D864,270 S \* 10/2019 Hu ..... D15/199
- D865,021 S \* 10/2019 Hu ..... D15/199
- D873,174 S \* 1/2020 Sokuza ..... D12/1
- D879,852 S \* 3/2020 Chen ..... D15/199
- D880,550 S \* 4/2020 Sokuza ..... D15/199
- D886,173 S \* 6/2020 Sokuza ..... D15/199

(Continued)

**FOREIGN PATENT DOCUMENTS**

CN 304054842 S 2/2017

**OTHER PUBLICATIONS**

Notice of Allowance issued in Corresponding Japanese Application No. 2020-005649, dated Sep. 1, 2020 (Machine Translation).

*Primary Examiner* — Patricia A Palasik

(74) *Attorney, Agent, or Firm* — Norton Rose Fulbright US LLP

- (\*\*) Term: **15 Years**
- (21) Appl. No.: **29/728,969**
- (22) Filed: **Mar. 23, 2020**
- (30) **Foreign Application Priority Data**

Sep. 27, 2019 (CN) ..... 201930533382.8

(51) **LOC (13) Cl.** ..... **15-99**

(52) **U.S. Cl.**  
USPC ..... **D15/199**

(58) **Field of Classification Search**  
USPC ..... D12/1; D15/199; D32/21; D34/12, 24, D34/28, 34  
CPC ..... B25J 5/007; B25J 9/1694; G05D 1/027; G05D 1/0011; G05D 1/0231; G05D 1/0242; G05D 2201/0216; Y10S 901/01; Y10S 901/46; Y10S 901/49  
See application file for complete search history.

(56) **References Cited**

**U.S. PATENT DOCUMENTS**

- 4,137,984 A \* 2/1979 Jennings ..... B62D 1/28 180/168
- 5,127,486 A \* 7/1992 Yardley ..... B62D 1/28 180/168
- D722,631 S \* 2/2015 Stone ..... D15/199
- D810,799 S \* 2/2018 Sokuza ..... D15/199

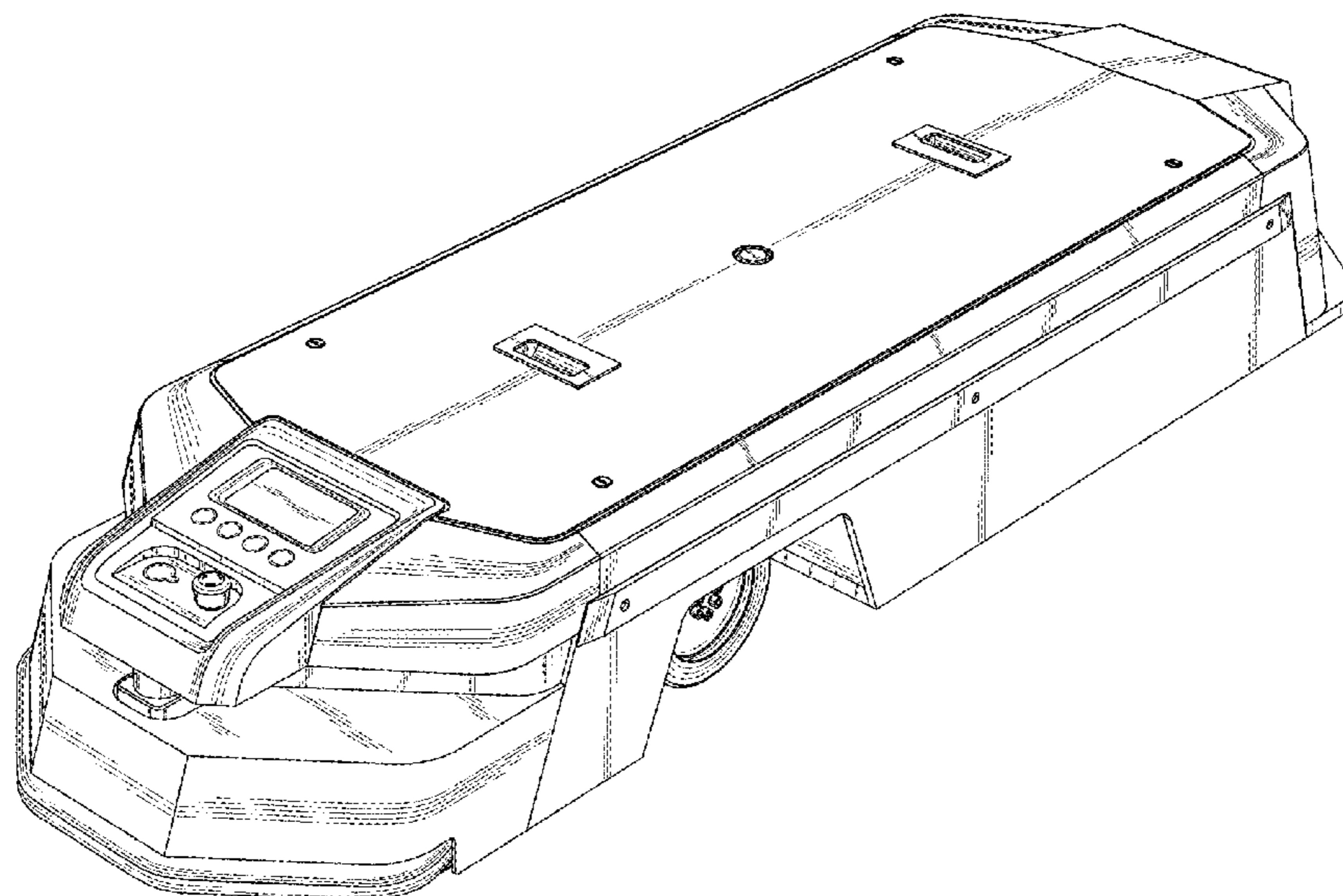
(57) **CLAIM**

The ornamental design for a transportation vehicle, as shown and described.

**DESCRIPTION**

FIG. 1 is a front view of a transportation vehicle showing my new design;  
FIG. 2 is a back view of my new design shown in FIG. 1;  
FIG. 3 is a left view of my new design shown in FIG. 1;  
FIG. 4 is a right view of my new design shown in FIG. 1;  
FIG. 5 is a top view of my new design shown in FIG. 1;  
FIG. 6 is a bottom view of my new design shown in FIG. 1;  
FIG. 7 is a first perspective view of my new design shown in FIG. 1; and,  
FIG. 8 is a second perspective view of my new design shown in FIG. 1.  
The broken lines in the drawings depict portions of the transportation vehicle which form no part of the claimed design.

**1 Claim, 8 Drawing Sheets**



(56)

**References Cited**

U.S. PATENT DOCUMENTS

D886,174	S	*	6/2020	Blomgren	.....	D15/199
D887,468	S	*	6/2020	Hirvesaar	.....	D15/199
D888,790	S	*	6/2020	Yao	.....	D15/199
D896,858	S	*	9/2020	Kapurja	.....	D15/199
D898,790	S	*	10/2020	Sokuza	.....	D15/199
D899,475	S	*	10/2020	Xiao	.....	D15/199
D902,272	S	*	11/2020	Cascajar Ordonez	.....	D15/199
D902,277	S	*	11/2020	Sakaguchi	.....	D15/199
D906,390	S	*	12/2020	Kapurja	.....	D15/199
D907,084	S	*	1/2021	Kapurja	.....	D15/199
D907,677	S	*	1/2021	Mork	.....	D15/199
D907,678	S	*	1/2021	Cai	.....	D15/199
2018/0099810	A1	*	4/2018	Wu	.....	B65G 1/0492
2019/0270472	A1	*	9/2019	Akamatsu	.....	B62B 5/0093

\* cited by examiner

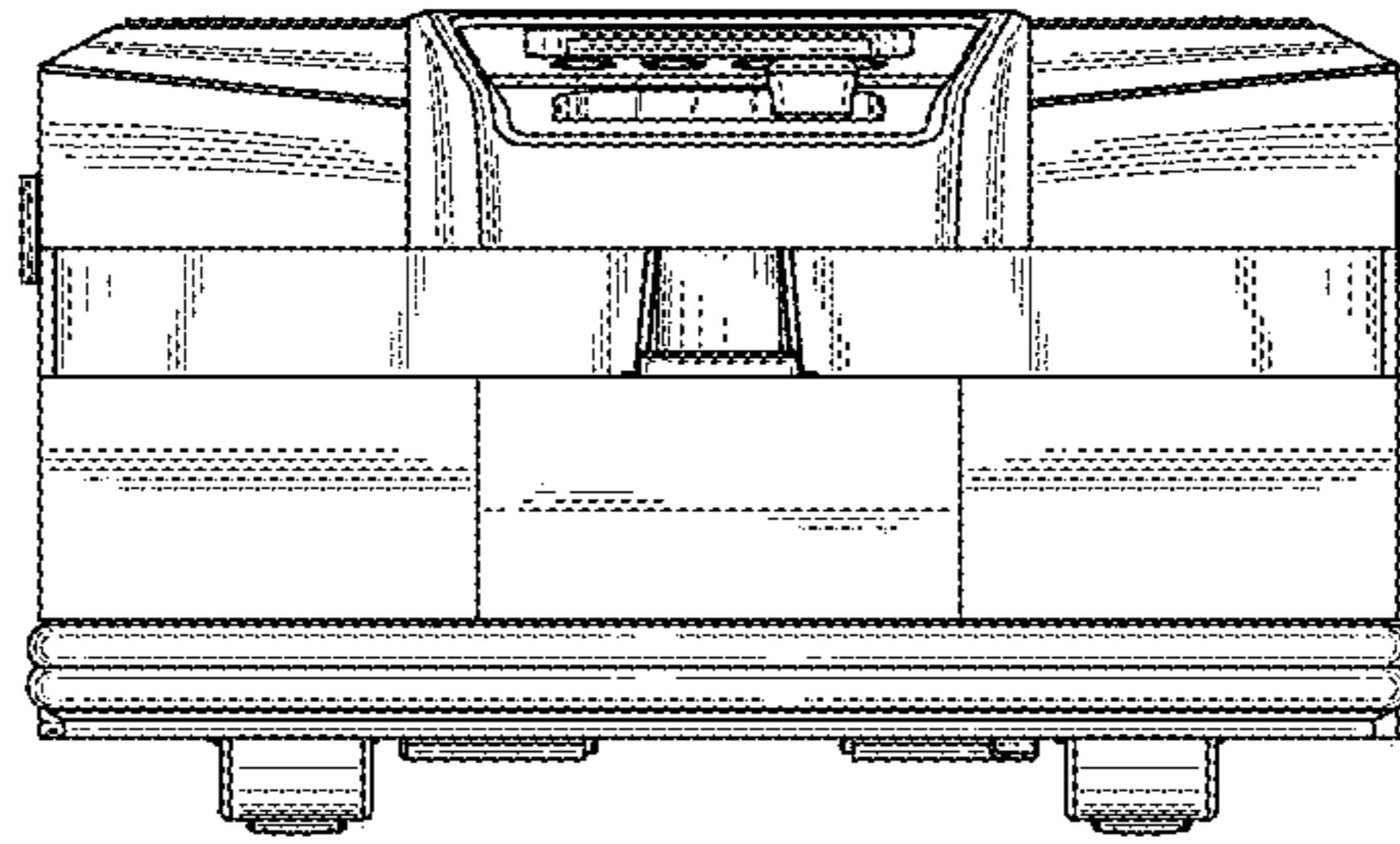


FIG.1

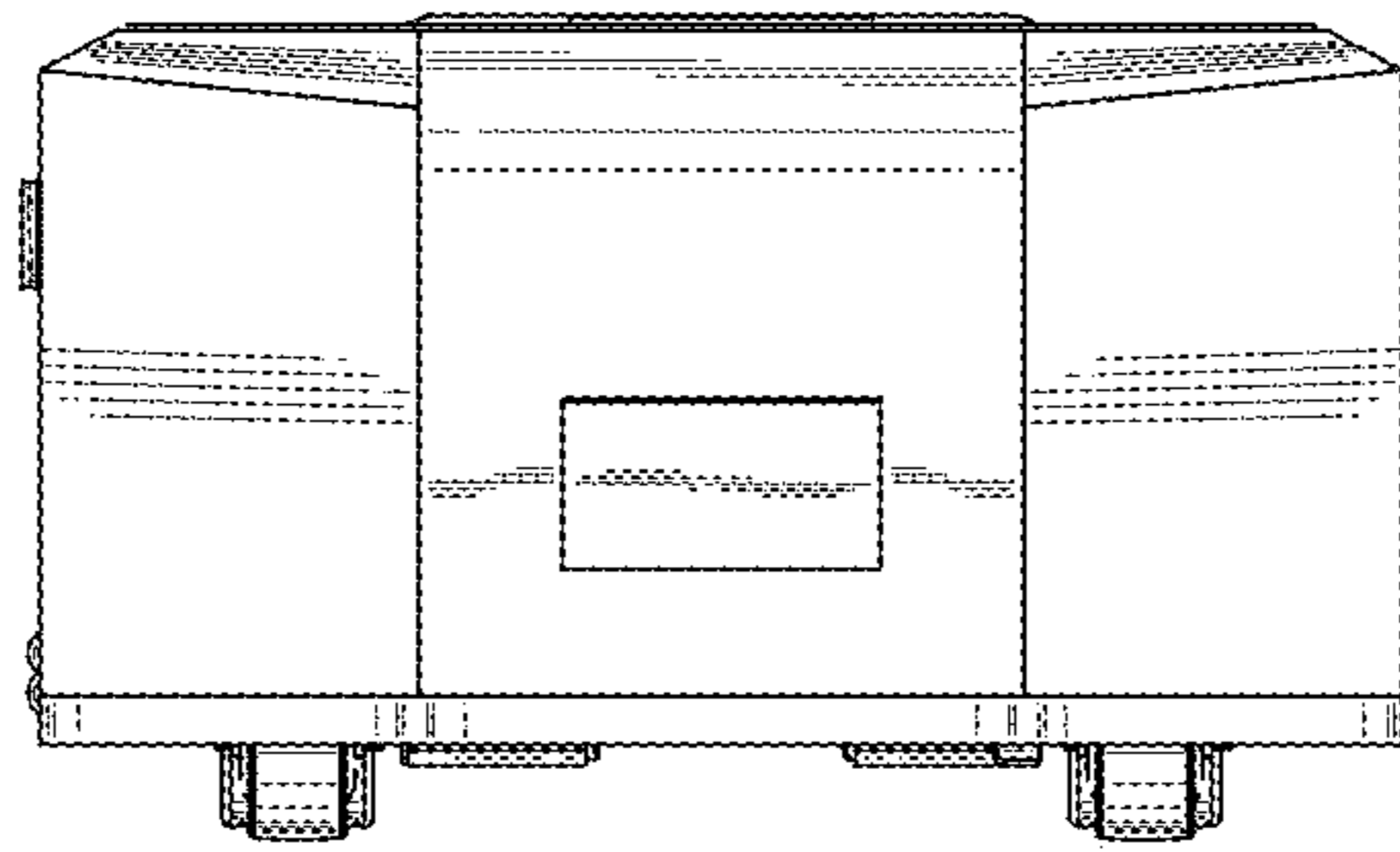


FIG.2

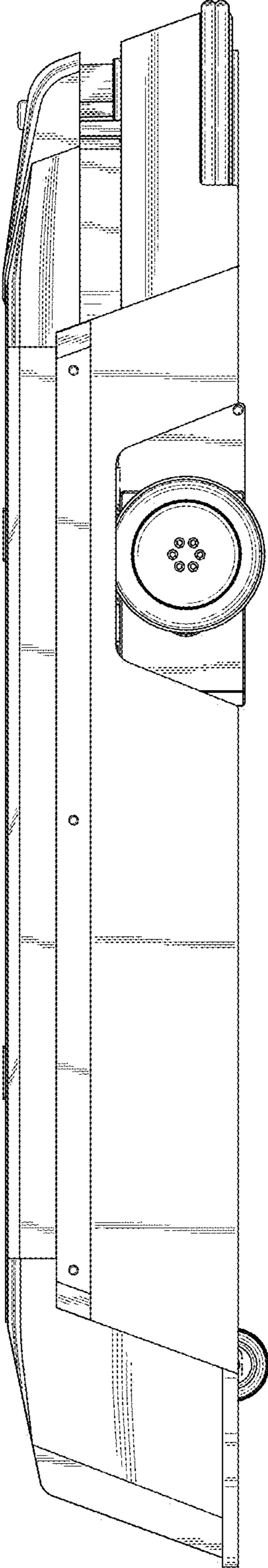


FIG. 3

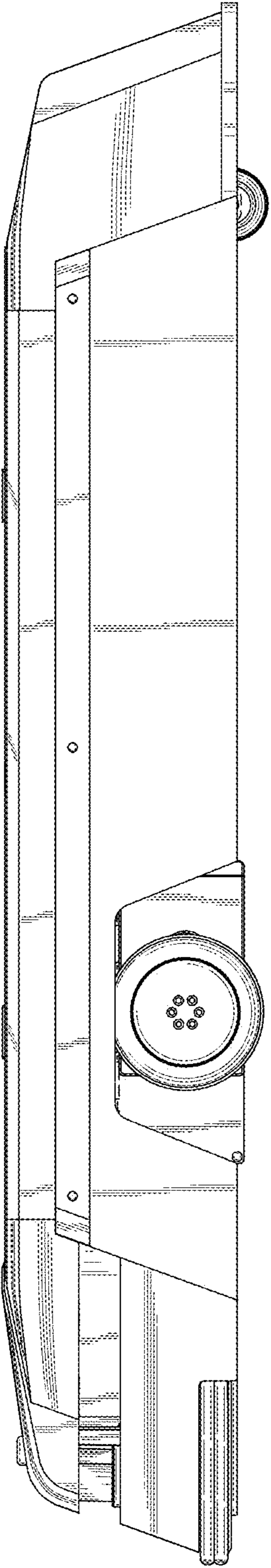


FIG.4

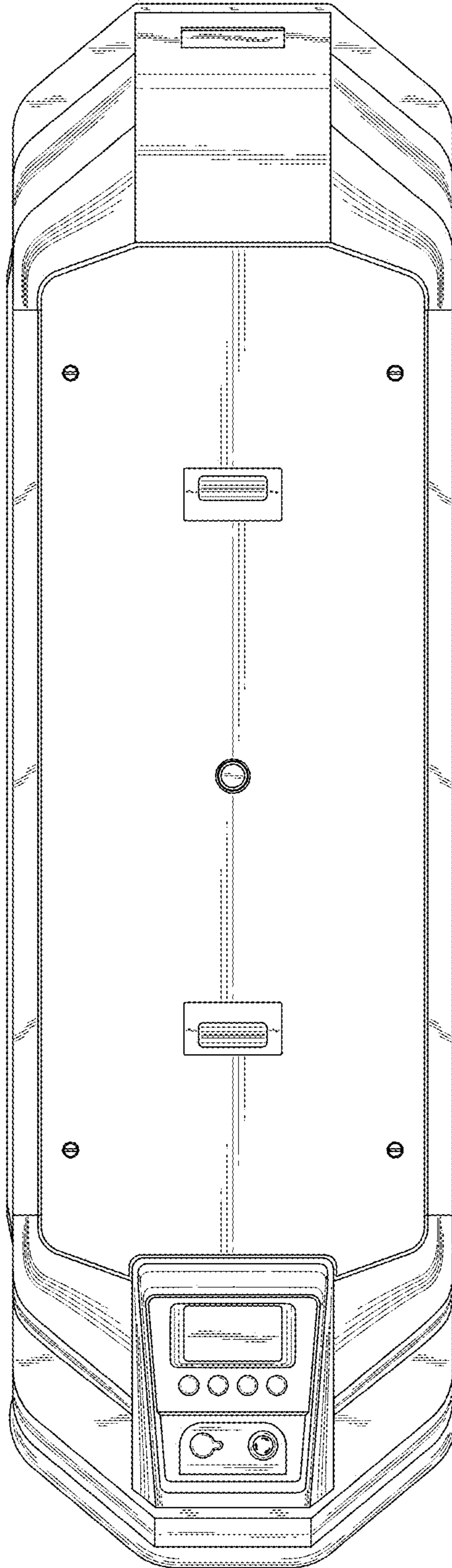


FIG.5

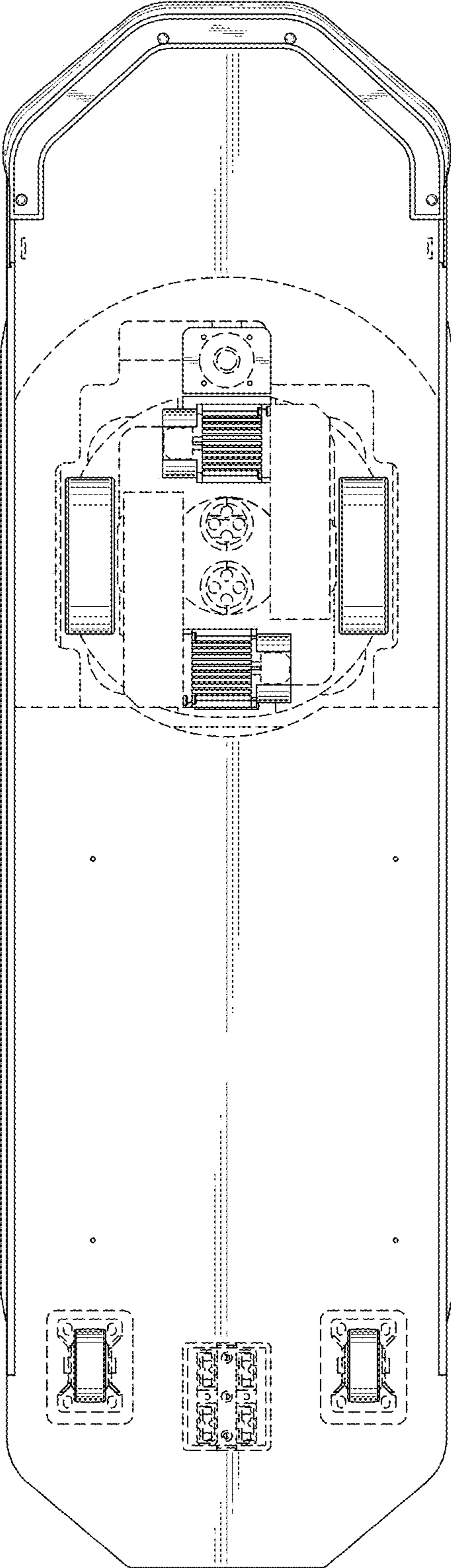


FIG.6



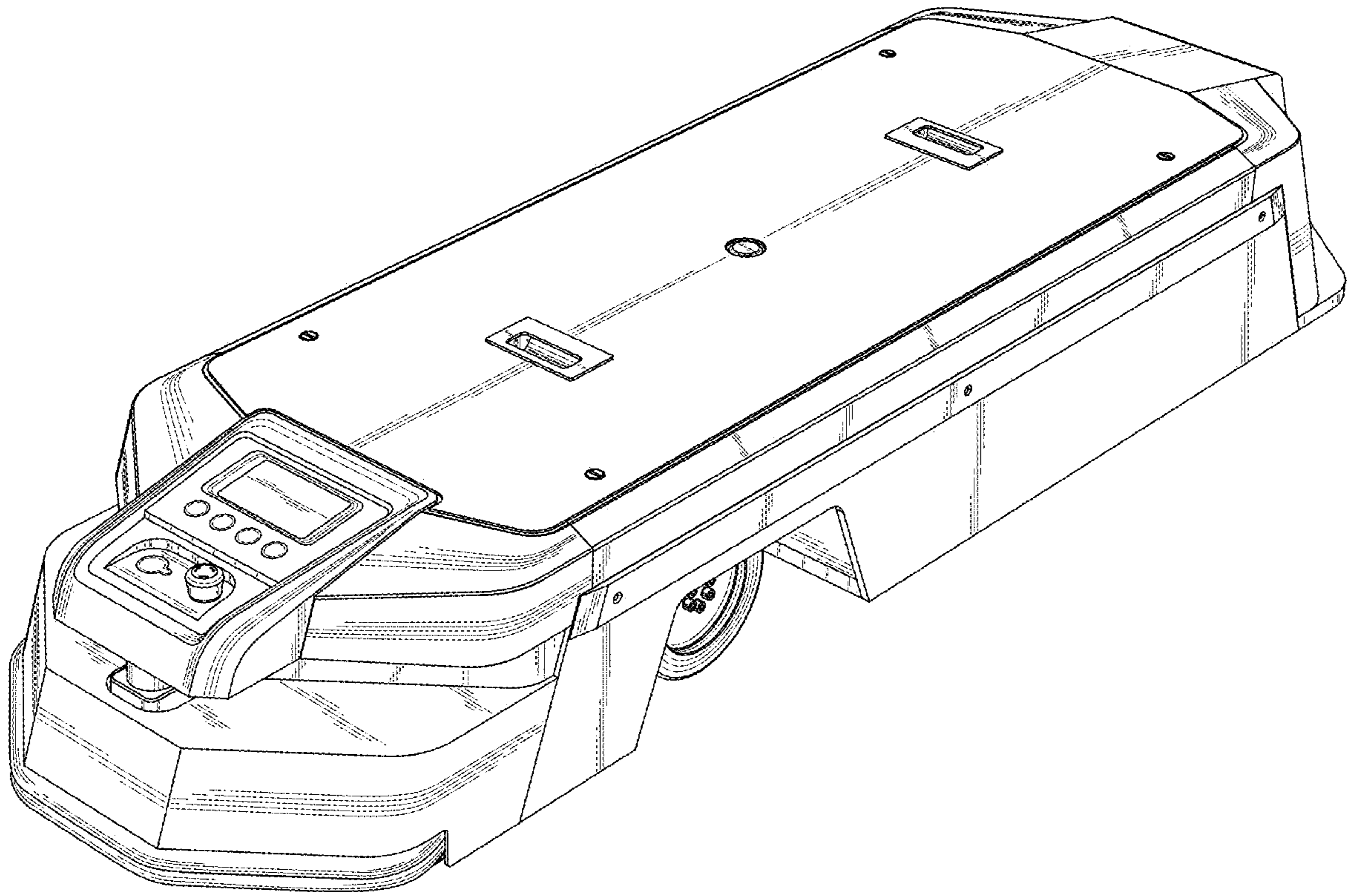


FIG.7

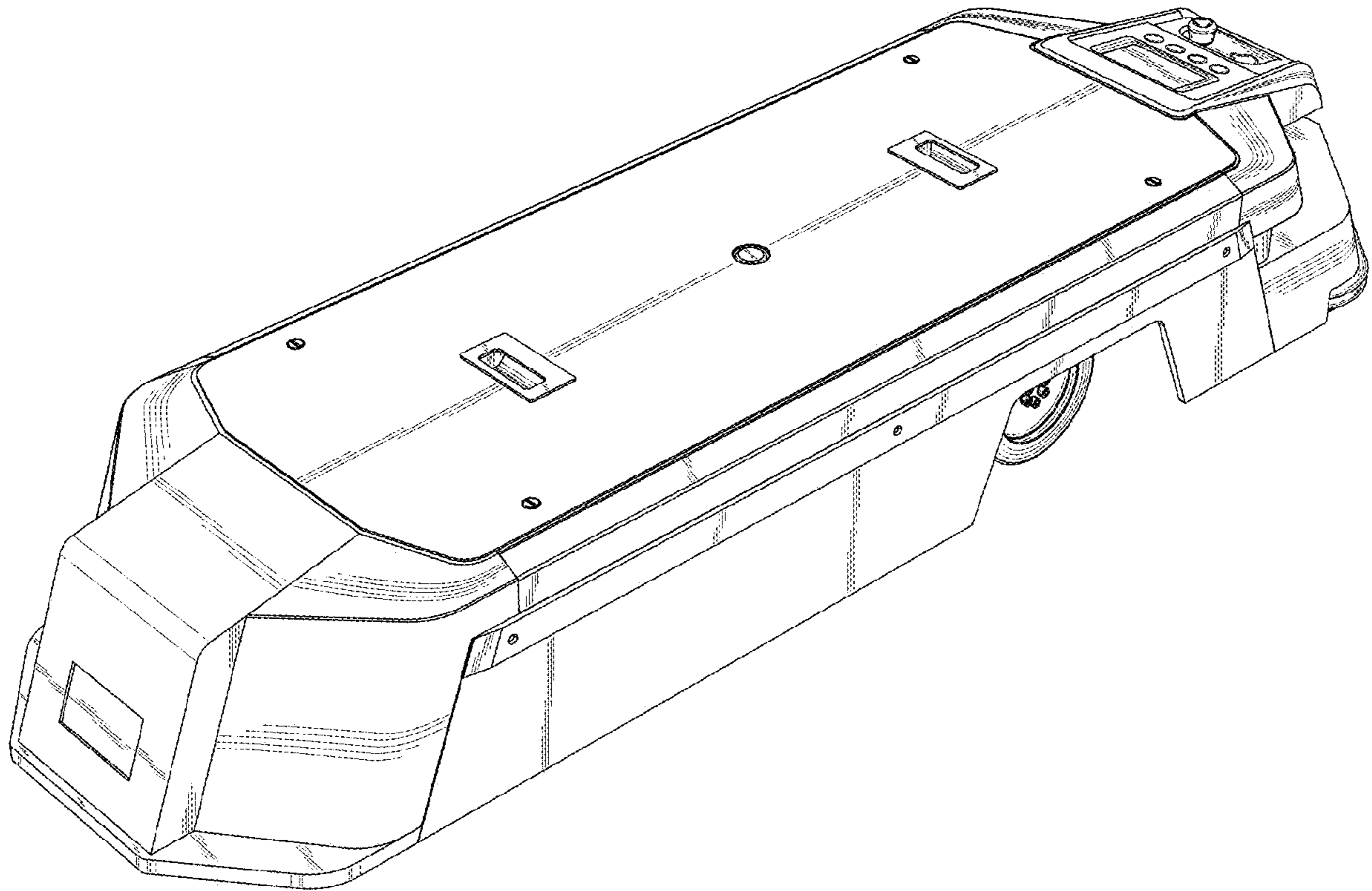


FIG.8