



US00D929479S

(12) **United States Design Patent** (10) **Patent No.:** **US D929,479 S**
Gao (45) **Date of Patent:** **** Aug. 31, 2021**

(54) **AUTOMATIC GUIDED VEHICLE**
(71) Applicant: **HANGZHOU HIKROBOT TECHNOLOGY CO., LTD.,**
Hangzhou (CN)
(72) Inventor: **Jialong Gao,** Hangzhou (CN)
(73) Assignee: **HANGZHOU HIKROBOT TECHNOLOGY CO., LTD.,**
Hangzhou (CN)

D873,174 S * 1/2020 Sokuza D12/1
D879,852 S * 3/2020 Chen D15/199
D880,550 S * 4/2020 Sokuza D15/199
D886,173 S * 6/2020 Sokuza D15/199
D886,174 S * 6/2020 Blomgren D15/199
D887,468 S * 6/2020 Hirvesaar D15/199
D888,790 S * 6/2020 Yao D15/199
D896,858 S * 9/2020 Kapuria D15/199

(Continued)

(**) Term: **15 Years**

FOREIGN PATENT DOCUMENTS

JP 1637016 S 7/1919

(21) Appl. No.: **29/722,121**

OTHER PUBLICATIONS

(22) Filed: **Jan. 27, 2020**

Notice of Allowance issued in Corresponding Japanese Application No. 2020-001454, dated Sep. 1, 2020 (English Machine Translation Provided).

(30) **Foreign Application Priority Data**

Aug. 1, 2019 (CN) 201930416713.X

Primary Examiner — Patricia A Palasik

(51) **LOC (13) Cl.** **15-99**

(74) *Attorney, Agent, or Firm* — Norton Rose Fulbright US LLP

(52) **U.S. Cl.**
USPC **D15/199**

(57) **CLAIM**

(58) **Field of Classification Search**
USPC D12/1; D15/199; D32/21; D34/12, 24,
D34/28, 34
CPC B25J 5/007; B25J 9/1694; G05D 1/027;
G05D 1/0011; G05D 1/0231; G05D
1/0242; G05D 2201/0216; Y10S 901/01;
Y10S 901/46; Y10S 901/49
See application file for complete search history.

The ornamental design for an automated guided vehicle, as shown and described.

DESCRIPTION

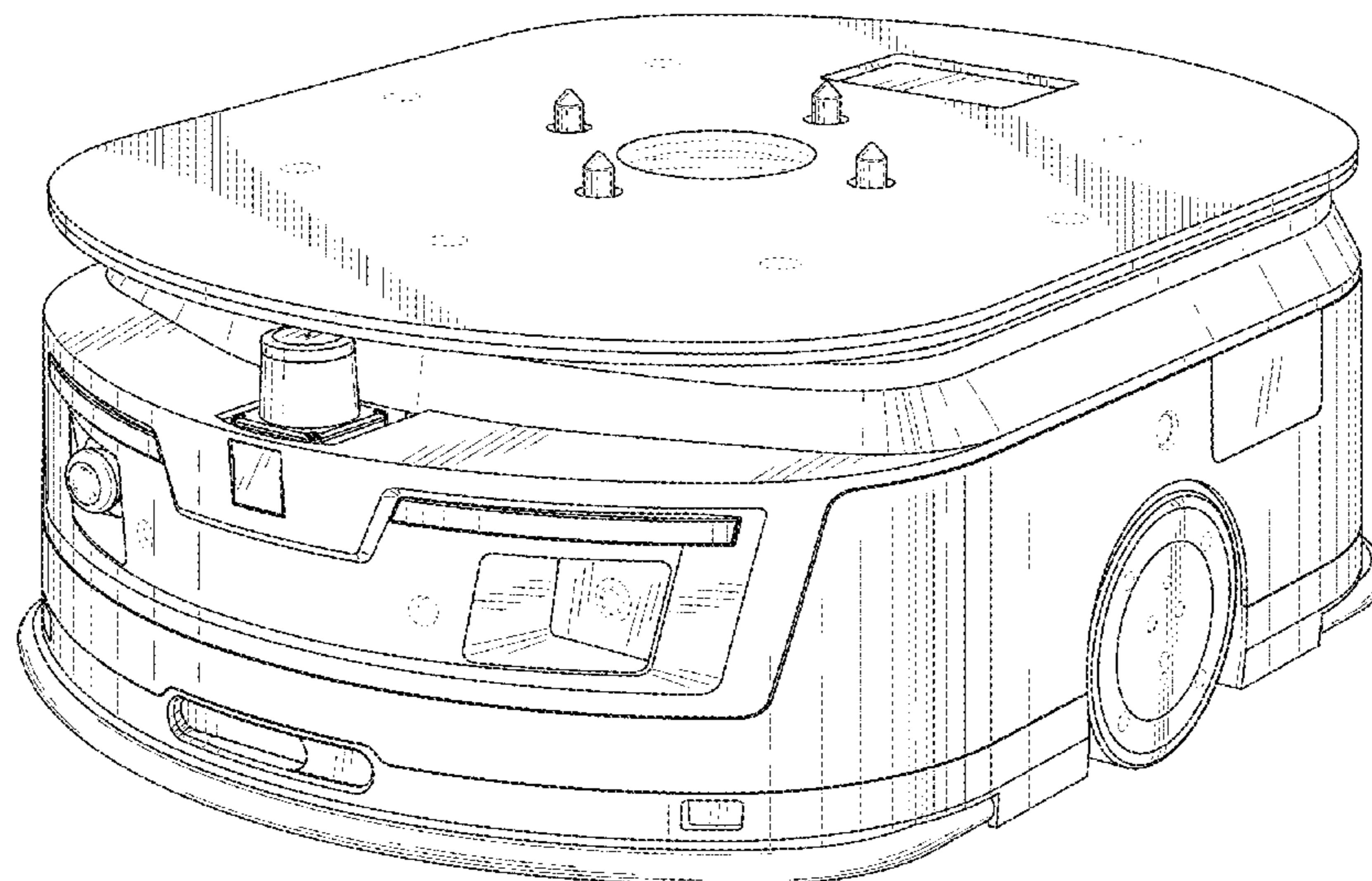
(56) **References Cited**

U.S. PATENT DOCUMENTS

4,137,984 A * 2/1979 Jennings B62D 1/28
180/168
5,127,486 A * 7/1992 Yardley B62D 1/28
180/168
D722,631 S * 2/2015 Stone D15/199
D810,799 S * 2/2018 Sokuza D15/199
D864,270 S * 10/2019 Hu D15/199
D865,021 S * 10/2019 Hu D15/199

FIG. 1 is a front elevation view of the automated guided vehicle according to my new design; FIG. 2 is a back elevation view thereof; FIG. 3 is a left-side view thereof; FIG. 4 is a right-side view thereof; FIG. 5 is a top plan view thereof; FIG. 6 is a bottom plan view thereof; FIG. 7 is a front perspective view thereof; and, FIG. 8 is a back perspective view thereof. The broken lines in the drawings depict portions of the automated guided vehicle which form no part of the claimed design.

1 Claim, 8 Drawing Sheets



(56)

References Cited

U.S. PATENT DOCUMENTS

D898,790	S	*	10/2020	Sokuza	D15/199
D899,475	S	*	10/2020	Xiao	D15/199
D902,272	S	*	11/2020	Cascajar Ordonez	D15/199
D902,277	S	*	11/2020	Sakaguchi	D15/199
D906,390	S	*	12/2020	Kapuria	D15/199
D907,084	S	*	1/2021	Kapuria	D15/199
D907,677	S	*	1/2021	Mork	D15/199
D907,678	S	*	1/2021	Cai	D15/199
2018/0099810	A1	*	4/2018	Wu	B65G 1/0492
2019/0270472	A1	*	9/2019	Akamatsu	B62B 5/0093

* cited by examiner

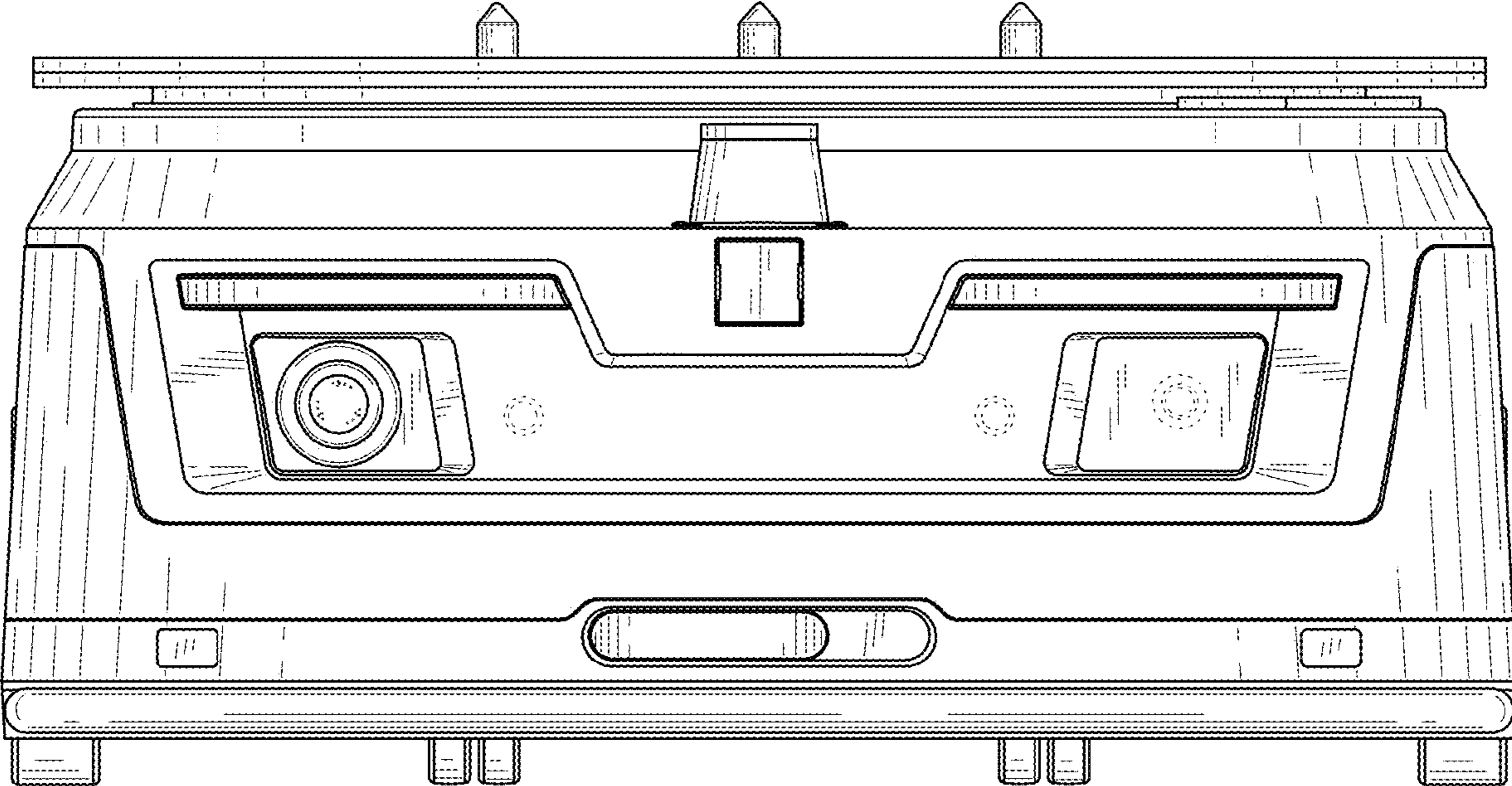


FIG. 1

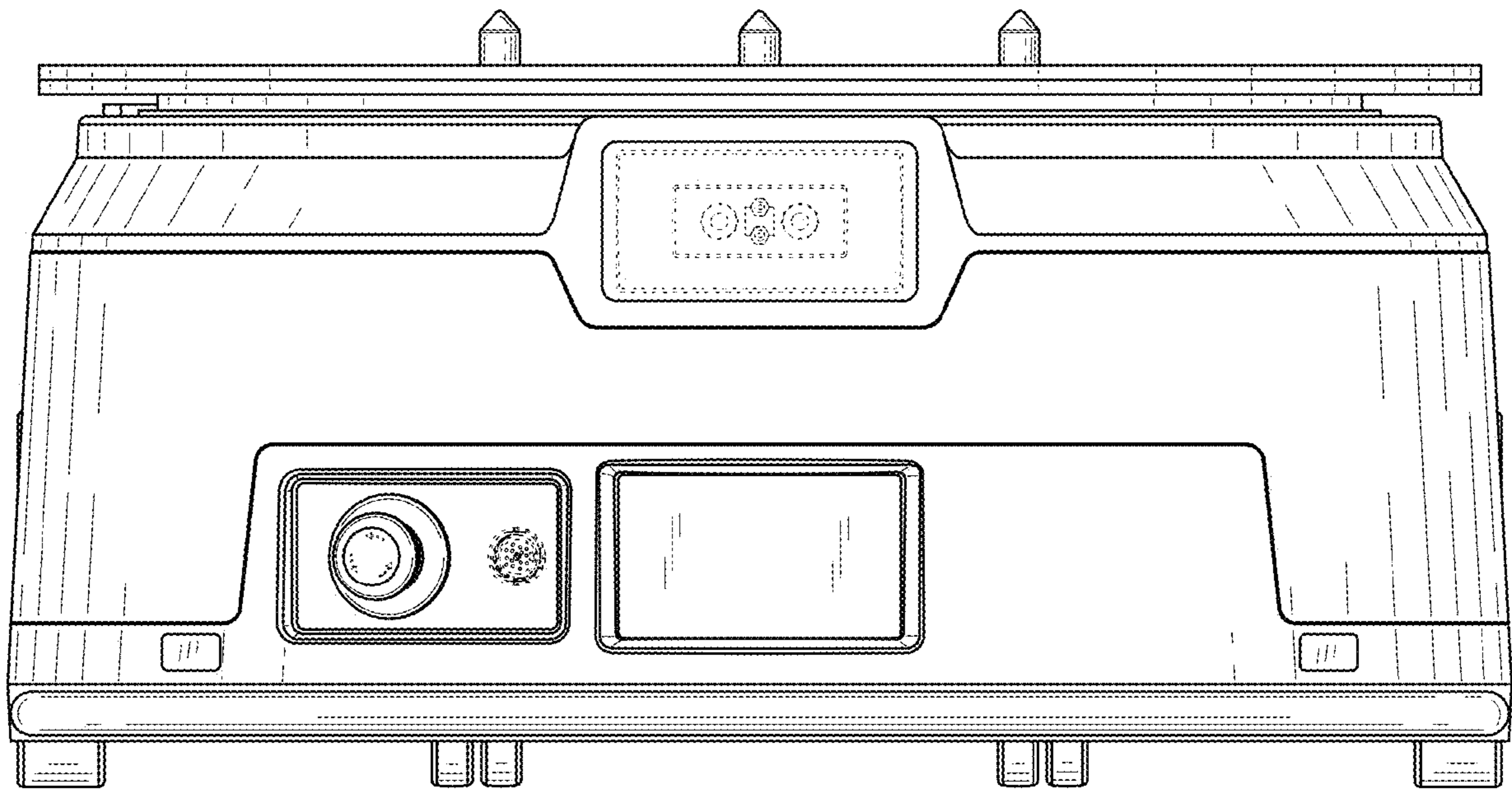


FIG. 2

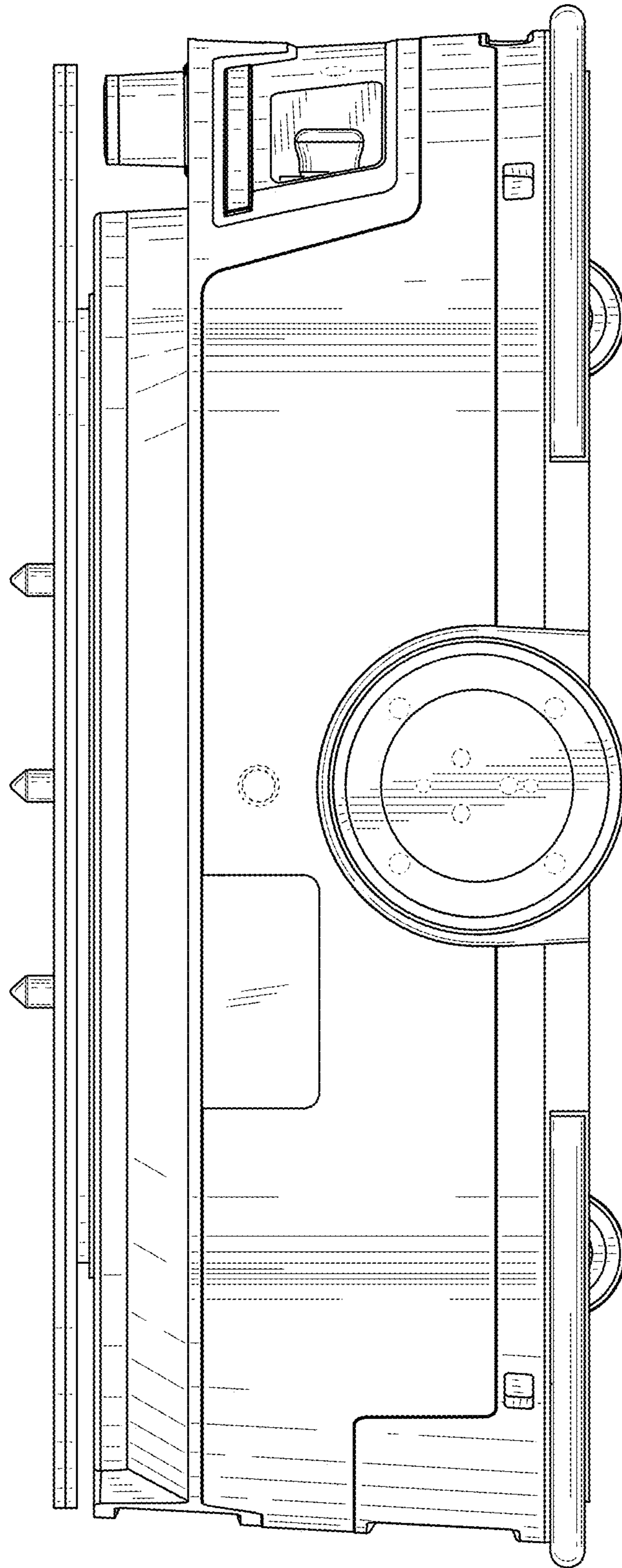


FIG. 3

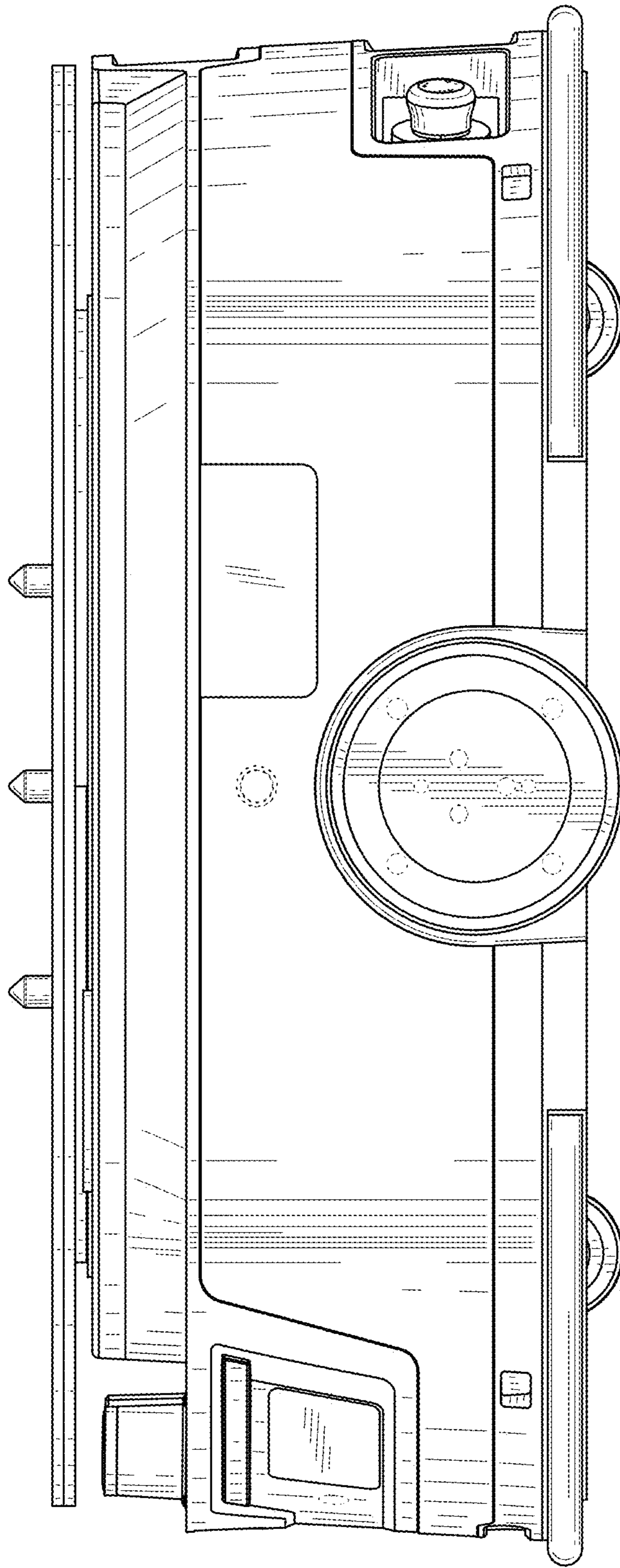


FIG. 4

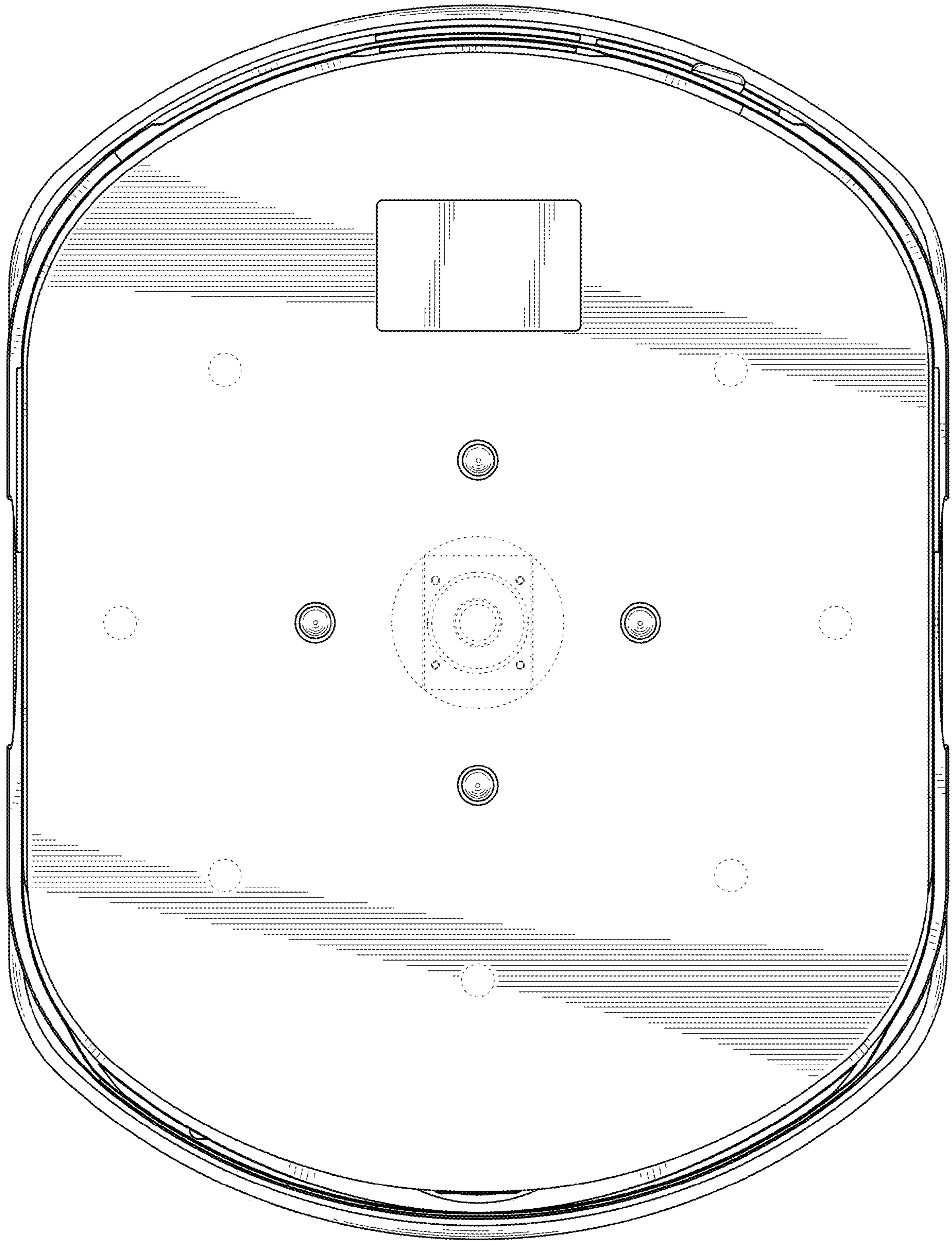


FIG. 5

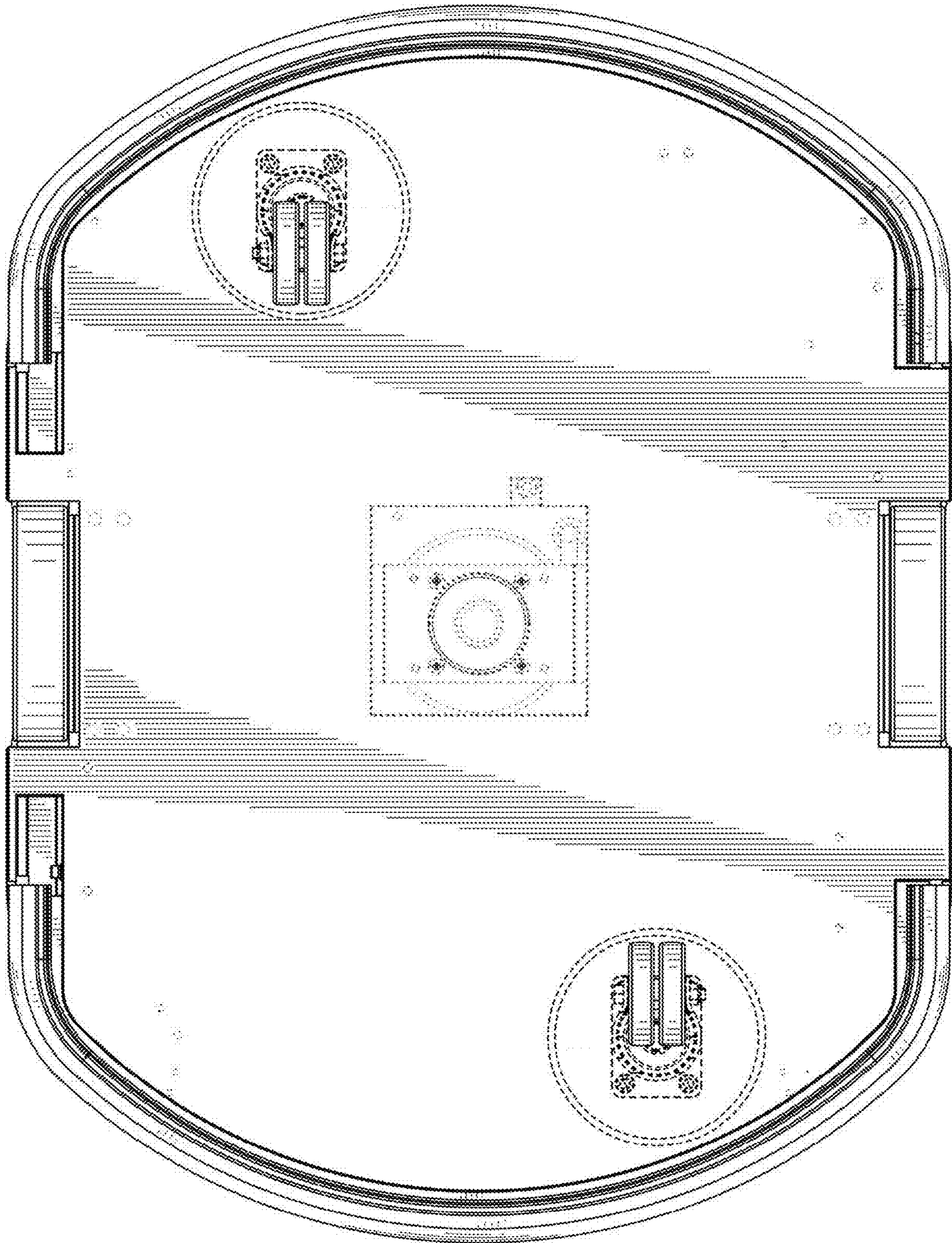


FIG. 6

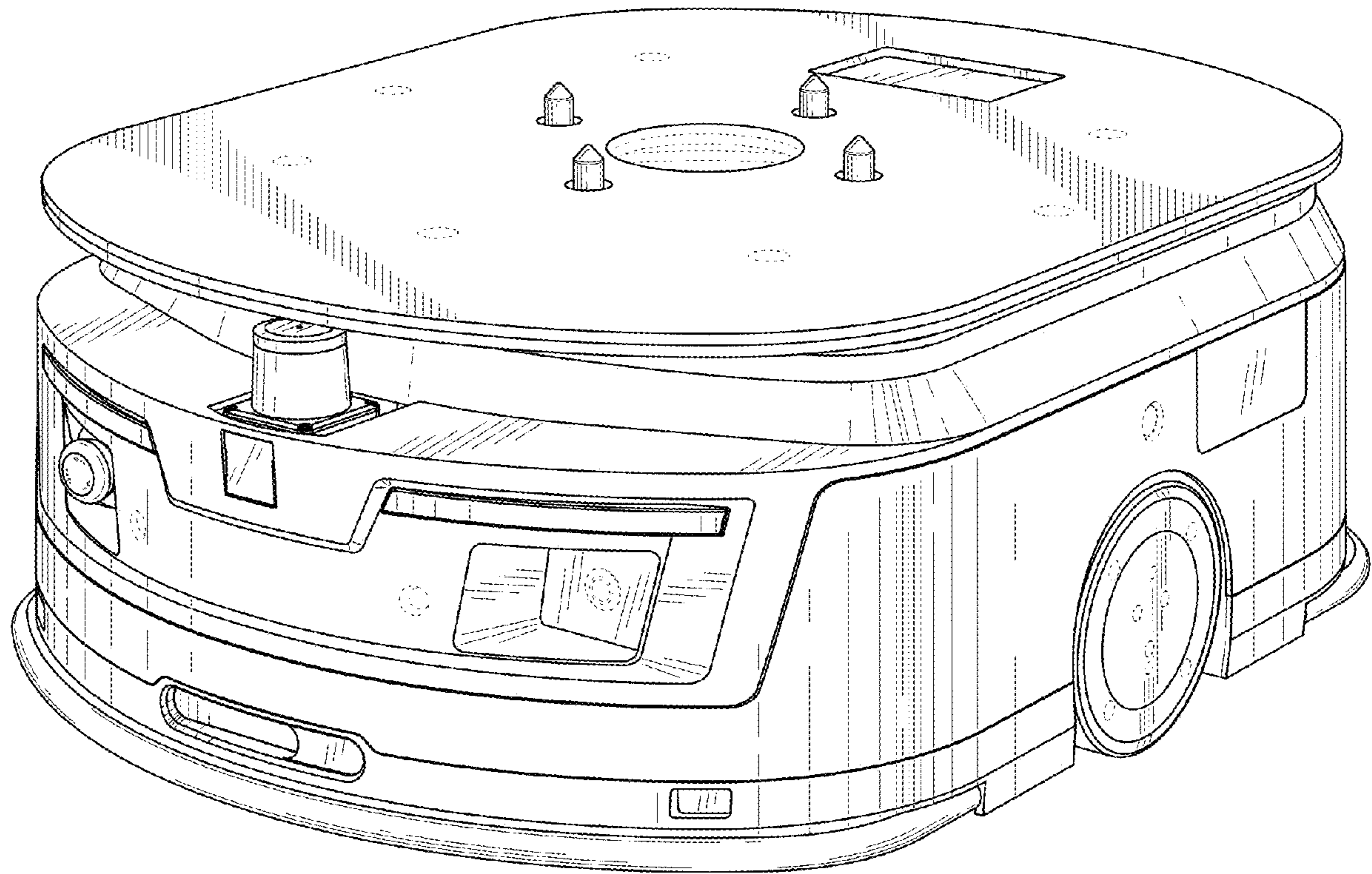


FIG. 7

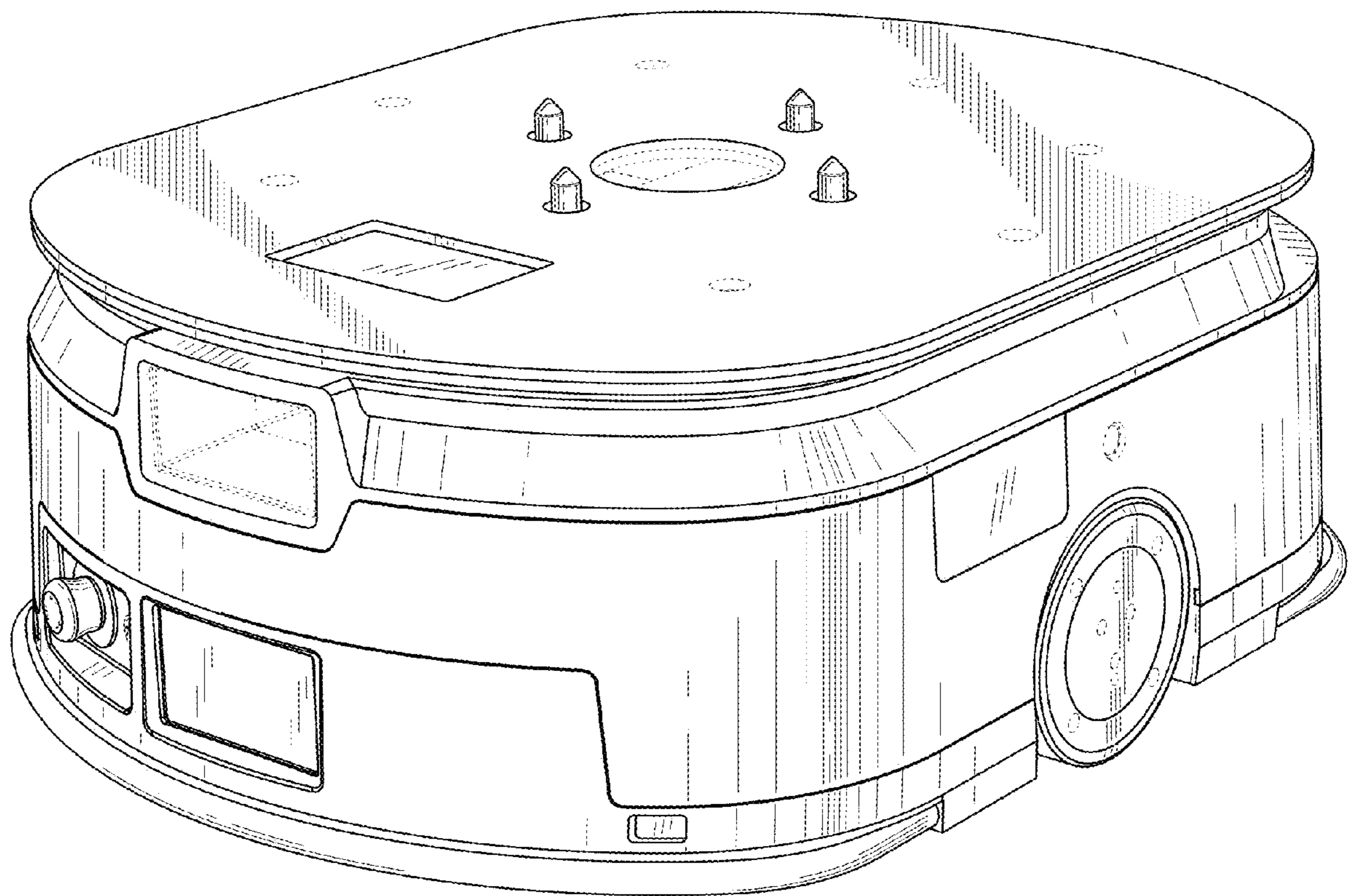


FIG. 8