



US00D929477S

(12) **United States Design Patent**
Boulay et al.

(10) **Patent No.:** **US D929,477 S**

(45) **Date of Patent:** **** Aug. 31, 2021**

(54) **ELECTRONIC MODULE FOR A TANK LID**

(71) Applicants: **Worthington Cylinders Corporation**,
Columbus, OH (US); **Otodata Wireless**
Network, Inc., Montreal (CA)

(72) Inventors: **Andre Boulay**, Ile Bizard (CA); **Adam**
Joseph Erwin, Columbus, OH (US);
Michael Gaykowski, Worthington, OH
(US); **Simon Noel**, Quebec (CA);
Jennifer Marie O'Brian, Plain City,
OH (US); **Pascal Turcotte**, Quebec
(CA); **Jason M. Gallovich**, Dorval
(CA); **Jason Christopher Bryant**, Erie,
PA (US); **Brian Jack Lowery**, Union
City, PA (US)

(73) Assignees: **WORTHINGTON CYLINDERS**
CORPORATION, Columbus, OH
(US); **OTODATA WIRELESS**
NETWORK, INC., Montreal (CA)

(**) Term: **15 Years**

(21) Appl. No.: **29/731,142**

(22) Filed: **Apr. 13, 2020**

Related U.S. Application Data

(63) Continuation-in-part of application No. 29/719,716,
filed on Jan. 7, 2020, now Pat. No. Des. 924,952.

(51) **LOC (13) Cl.** **15-09**

(52) **U.S. Cl.**
USPC **D15/144; D10/101**

(58) **Field of Classification Search**
USPC D15/1-9, 144; D14/299, 358, 434;
D13/49, 50, 60, 103, 107, 110, 117, 118,

(Continued)

(56) **References Cited**

U.S. PATENT DOCUMENTS

D265,986 S * 8/1982 Wearsch D13/152
D303,524 S * 9/1989 Siegner D14/438

(Continued)

OTHER PUBLICATIONS

Worthington industries, SmartLid Spec Sheet, (published Jan. 2021),
Worthington Industries Website, URL:<https://worthingtonindustries.com/getmedia/c4bae261-78de-4959-8645-ec78d2b9c37d/35956_SmartLid_Sell_Sheet_012221_V2> (Year: 2021).*

Primary Examiner — Sheryl Lane

Assistant Examiner — Mark T. Philipps

(74) *Attorney, Agent, or Firm* — Tucker Ellis LLP

(57) **CLAIM**

The ornamental design for an electronic module for a tank lid, as shown and described.

DESCRIPTION

FIG. 1 is a top perspective view of an electronic module for a tank lid showing our new design;

FIG. 2 is a front view of the electronic module for a tank lid illustrated in FIG. 1;

FIG. 3 is a rear view of the electronic module for a tank lid illustrated in FIG. 1;

FIG. 4 is a left side view of the electronic module for a tank lid illustrated in FIG. 1;

FIG. 5 is a right side view of the electronic module for a tank lid illustrated in FIG. 1;

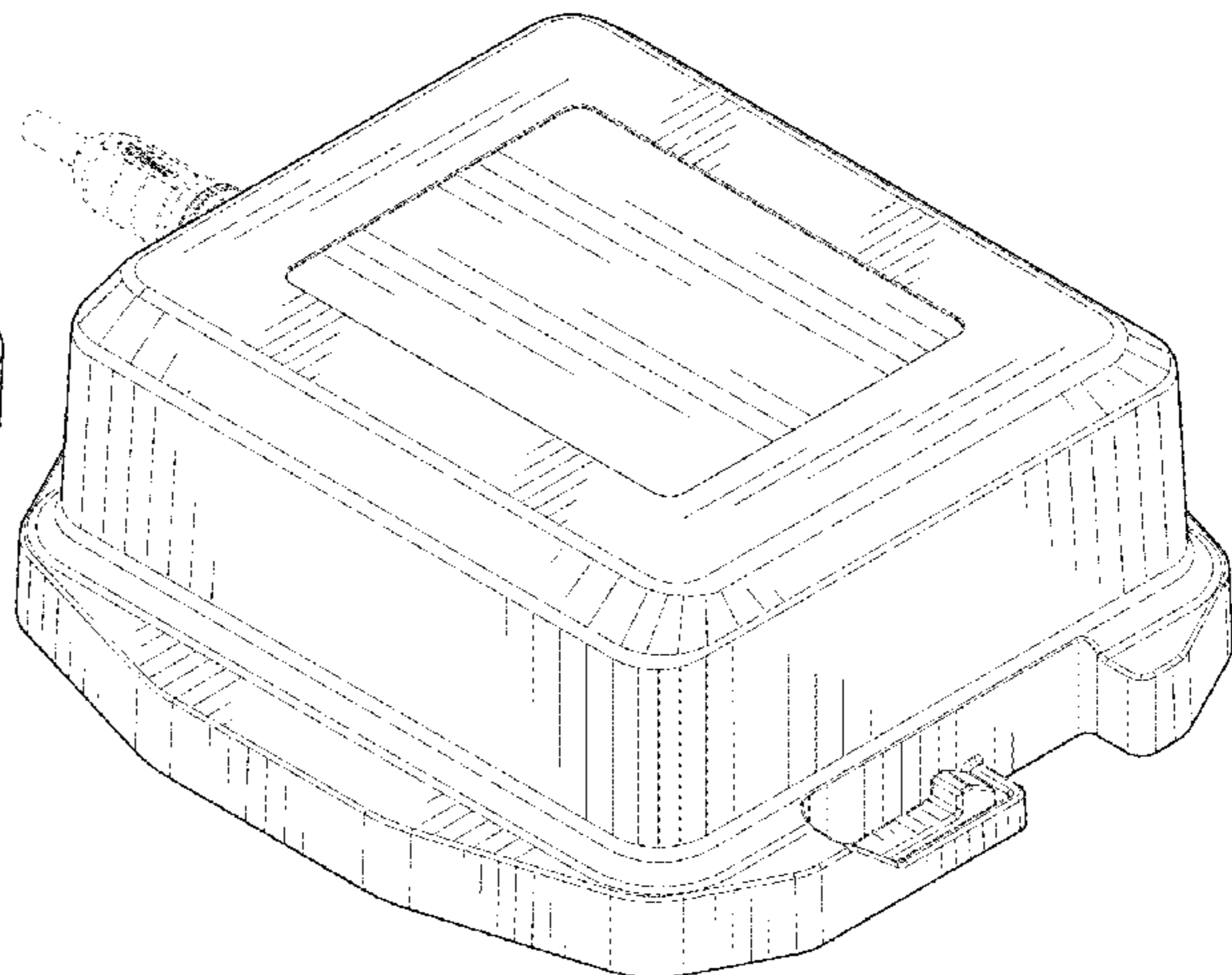
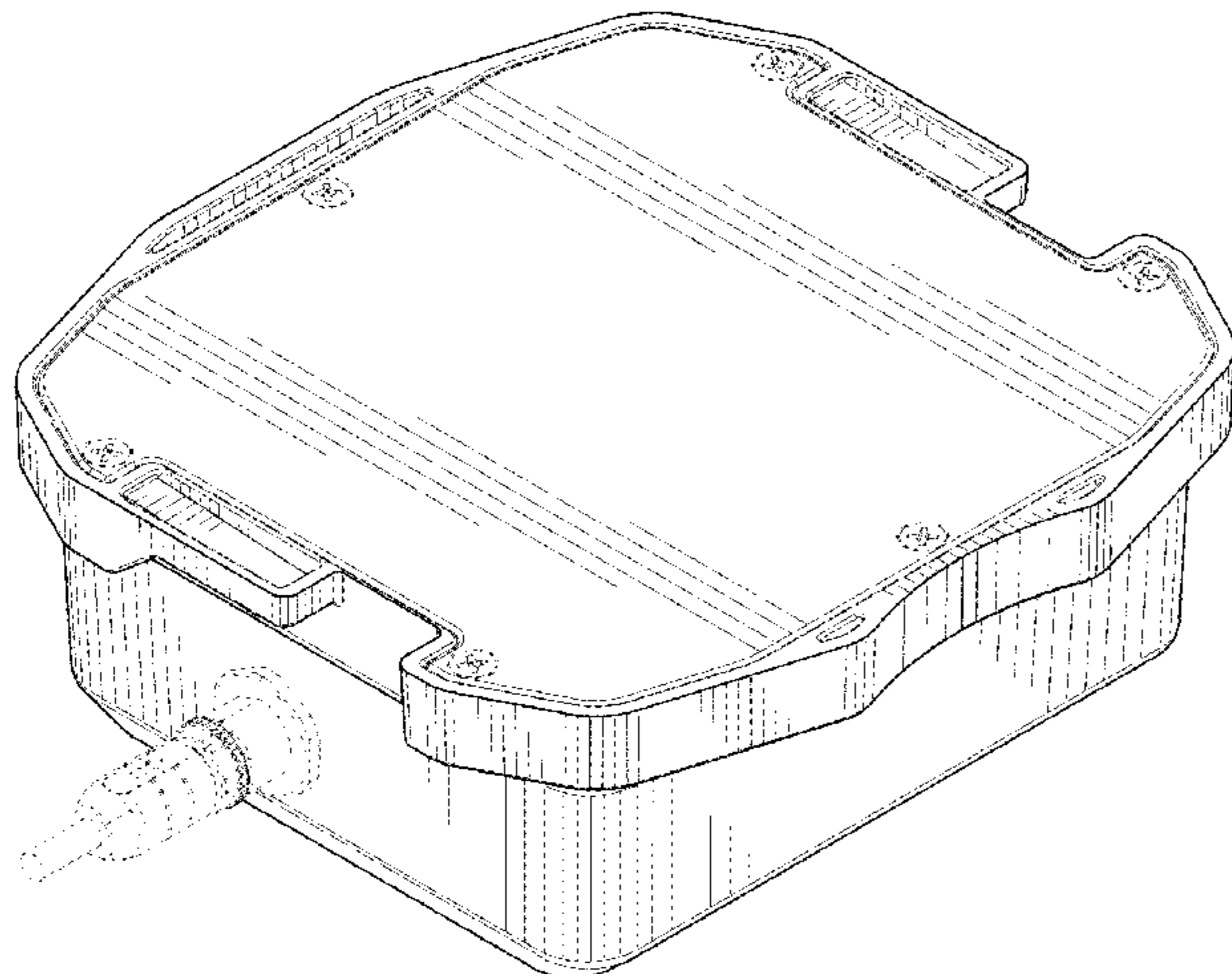
FIG. 6 is a top view of the electronic module for a tank lid illustrated in FIG. 1;

FIG. 7 is a bottom view of the electronic module for a tank lid illustrated in FIGS. 1; and,

FIG. 8 is a bottom perspective view of the electronic module for a tank lid illustrated in FIG. 1.

The broken lines in the drawings illustrate the portions of the electronic module for a tank lid that form no part of the claimed design.

1 Claim, 6 Drawing Sheets



(58) **Field of Classification Search**

USPC D13/124, 125, 126–127, 146, 152, 182,
 D13/184, 162; D10/49, 50, 60, 101, 103
 CPC H02J 7/003; H02J 7/0042; H01L 23/02;
 H01L 23/04; H01L 23/053; H01L 23/12;
 H02M 1/00; H02M 1/003; H05K 5/00;
 H05K 5/026; H05K 5/0243; B60L 1/00;
 B60L 1/002; B60L 15/34; B60L 15/38;
 B60L 53/20; B60L 53/22

See application file for complete search history.

(56) **References Cited**

U.S. PATENT DOCUMENTS

D344,905 S * 3/1994 Issa D10/106.1
 D345,711 S * 4/1994 Issa D10/106.1
 D364,601 S * 11/1995 Iwaki D13/103
 D482,370 S * 11/2003 Niwatsukino D15/7
 D497,878 S * 11/2004 Koo D13/152
 D568,253 S * 5/2008 Gorman D13/146
 D571,294 S * 6/2008 Stanley D13/125
 D580,886 S * 11/2008 Harman D13/168

D581,880 S * 12/2008 Neitzel D13/162
 D595,161 S * 6/2009 Fisher D10/50
 D606,033 S * 12/2009 Sonntag D13/184
 D625,692 S * 10/2010 Homuth D13/162
 D698,791 S * 2/2014 Woodman D14/434
 D722,975 S * 2/2015 Debone D13/152
 D725,505 S * 3/2015 Arensmeier D10/49
 D727,908 S * 4/2015 Samuels D14/434
 D737,194 S * 8/2015 Barassi D12/400
 D741,813 S * 10/2015 Leung D13/152
 D758,217 S * 6/2016 Kumfer D10/50
 D772,822 S * 11/2016 Lindeman D13/179
 D792,405 S * 7/2017 Bousfield D14/385
 D796,459 S * 9/2017 Iwai D13/182
 D803,708 S * 11/2017 Madrid D10/70
 D804,451 S * 12/2017 Isabelle D14/217
 D808,348 S * 1/2018 Lengua D13/180
 D831,073 S * 10/2018 Squire D15/5
 D835,040 S * 12/2018 Duran D13/124
 D842,713 S * 3/2019 Erbacher D10/50
 D843,239 S * 3/2019 Read D10/50
 D866,463 S * 11/2019 Hui D13/110
 D908,622 S * 1/2021 Le D13/110
 2017/0347491 A1 * 11/2017 Daimon H05K 1/0203

* cited by examiner

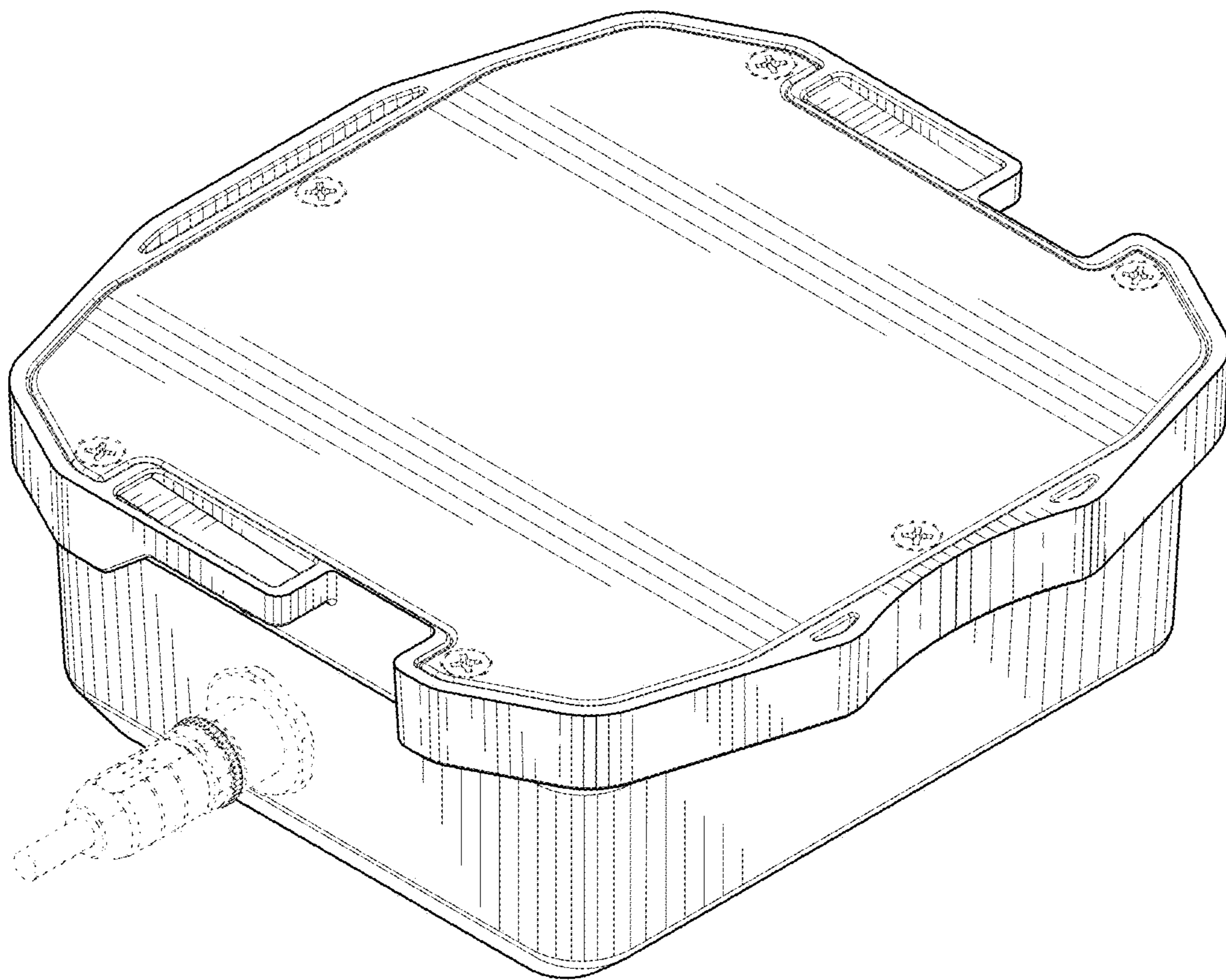


FIG. 1

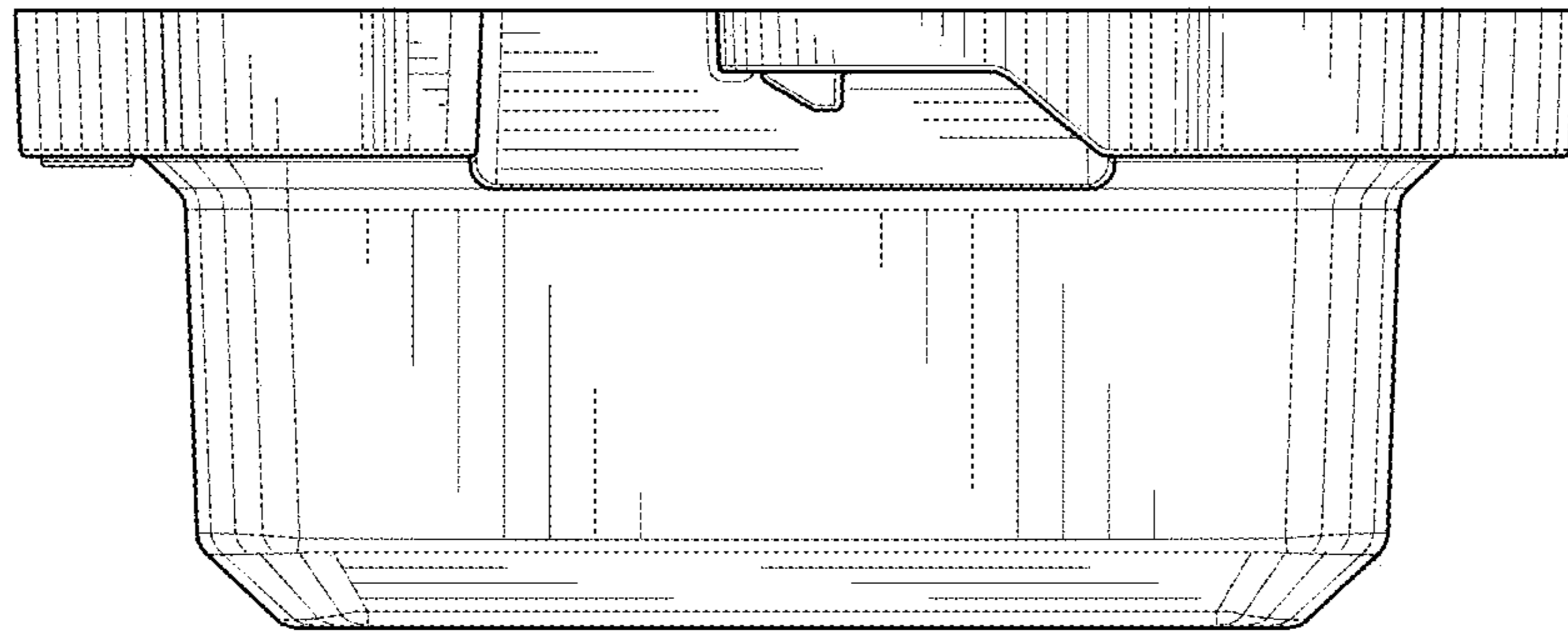


FIG. 2

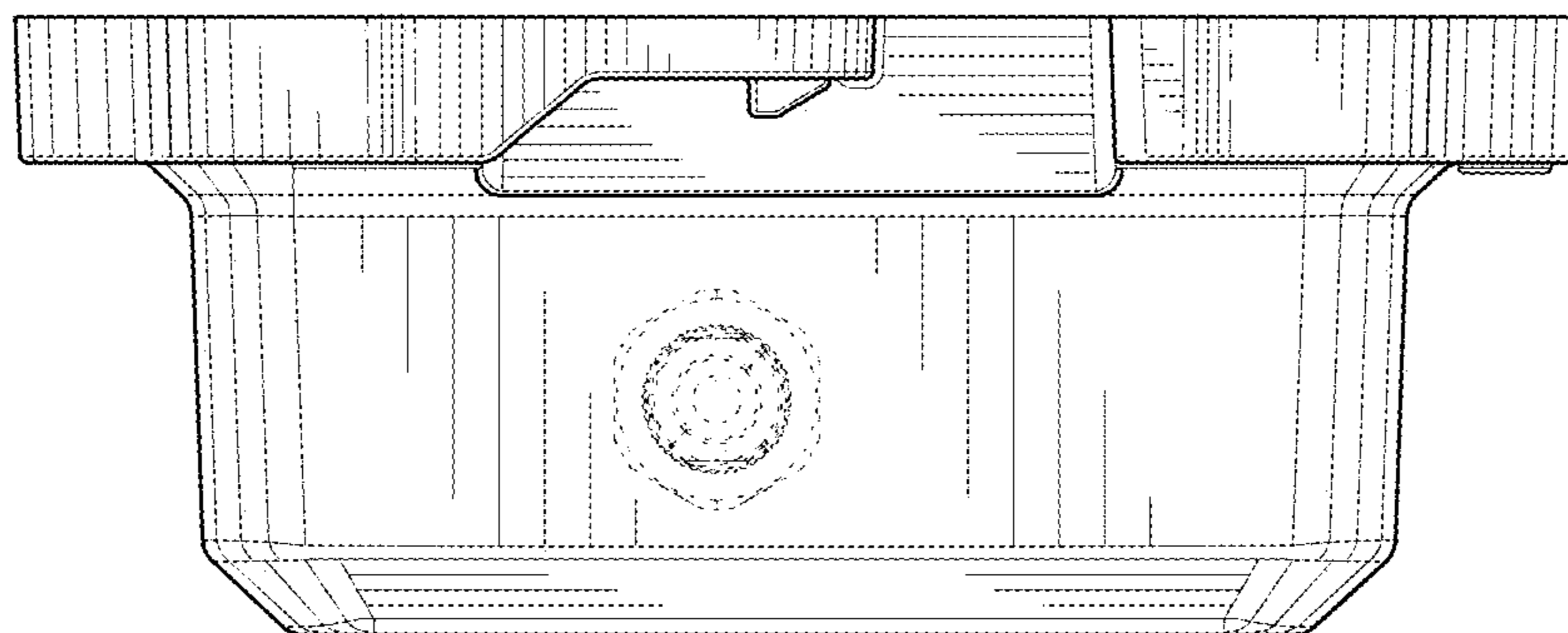


FIG. 3

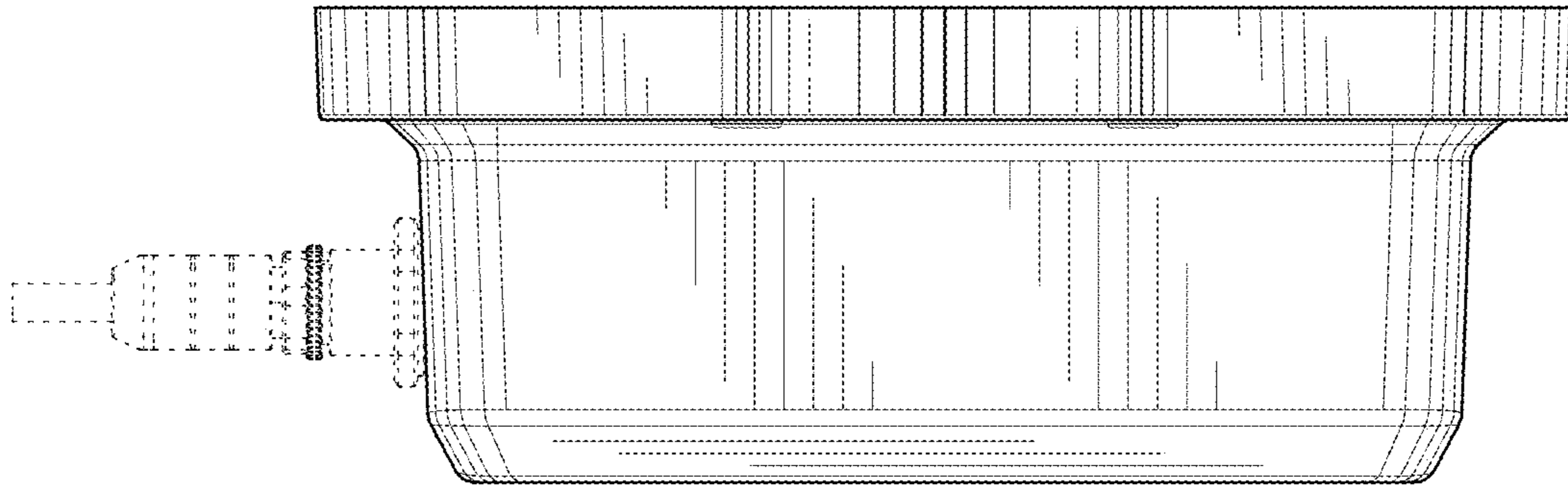


FIG.4

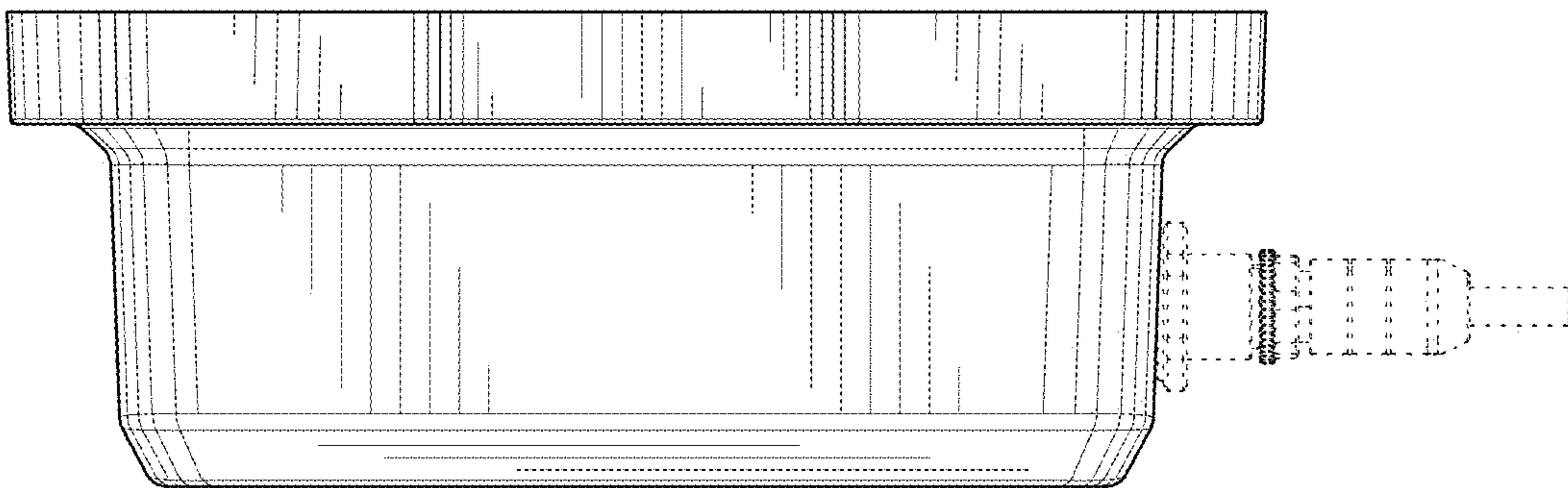


FIG.5

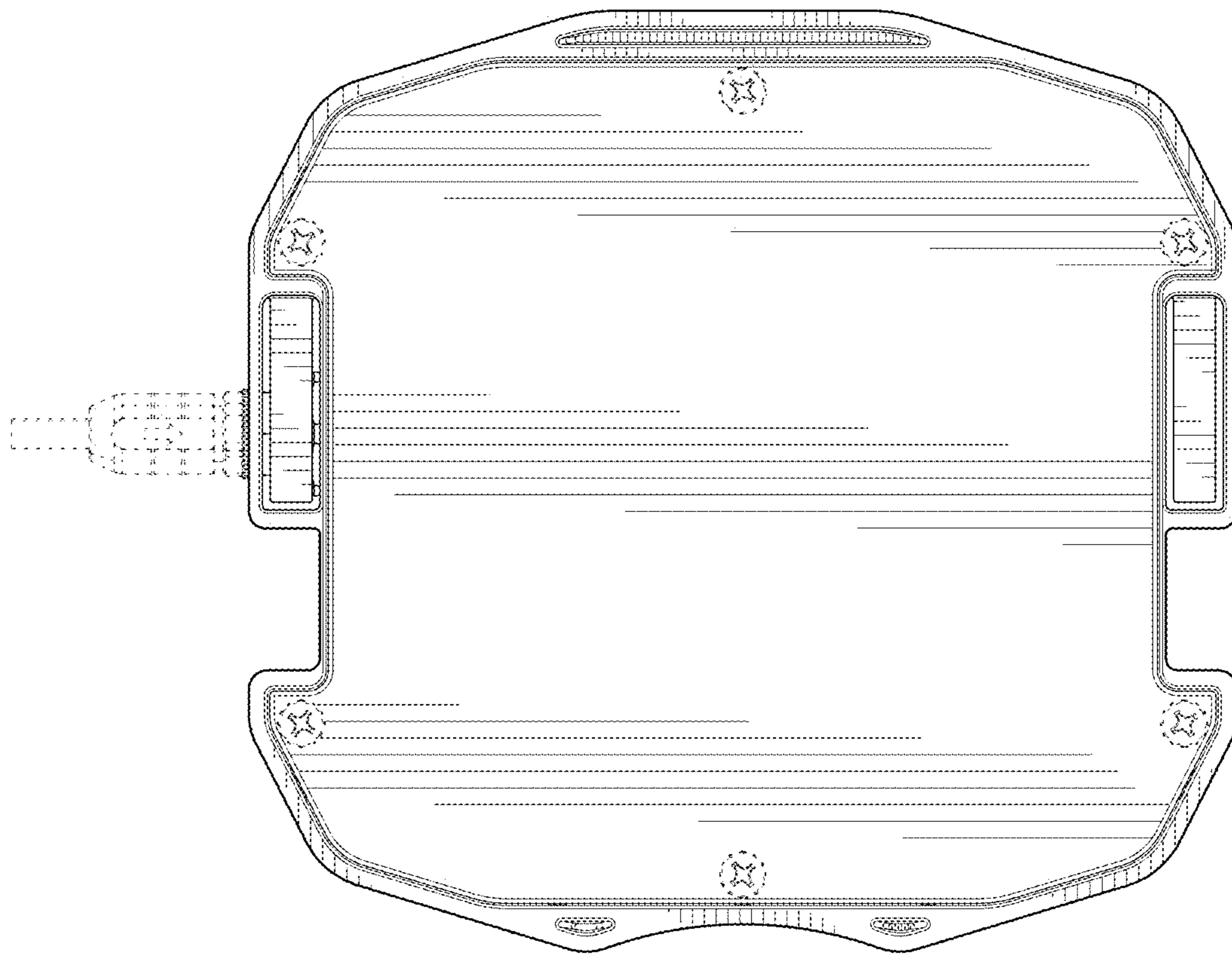


FIG.6

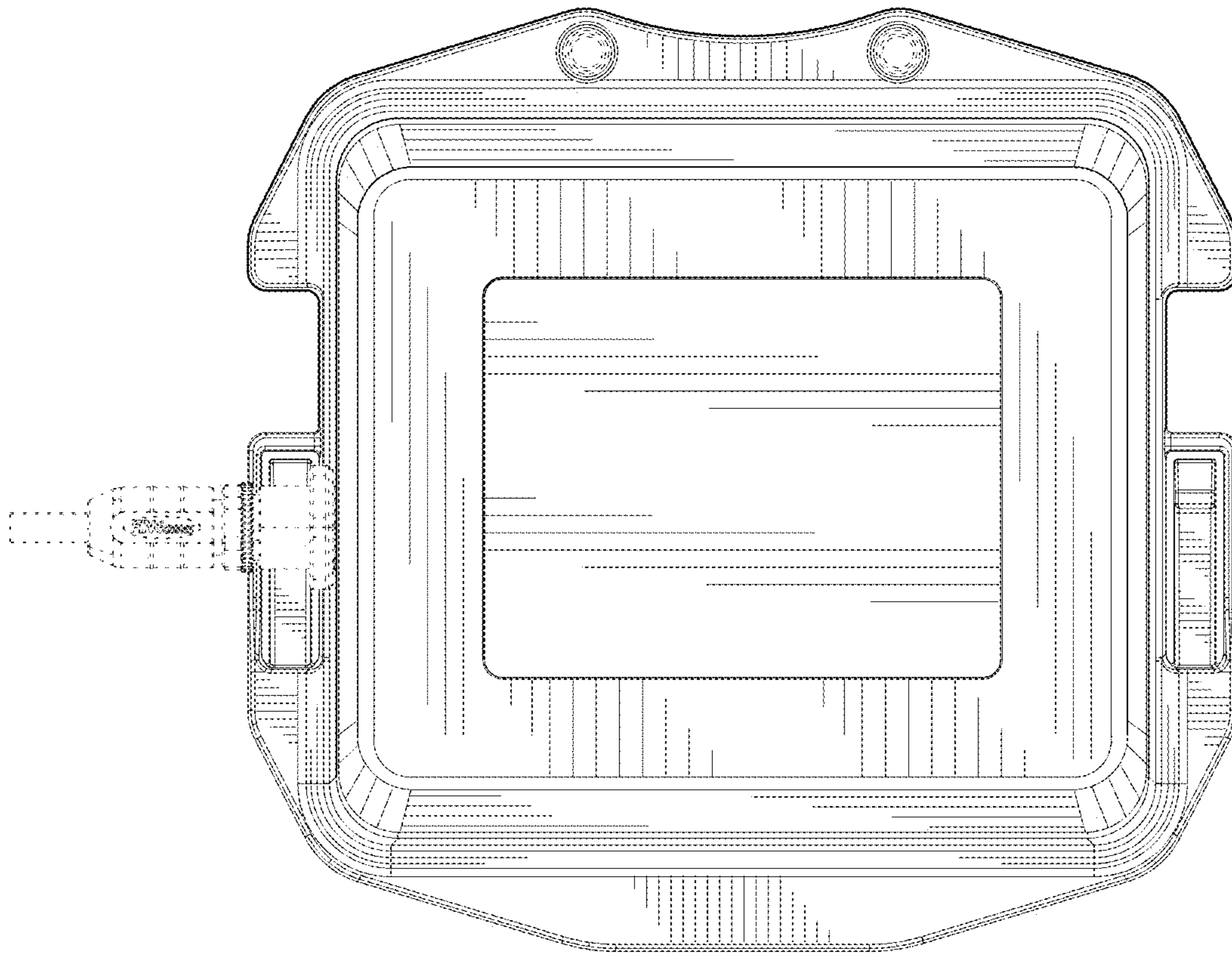


FIG.7

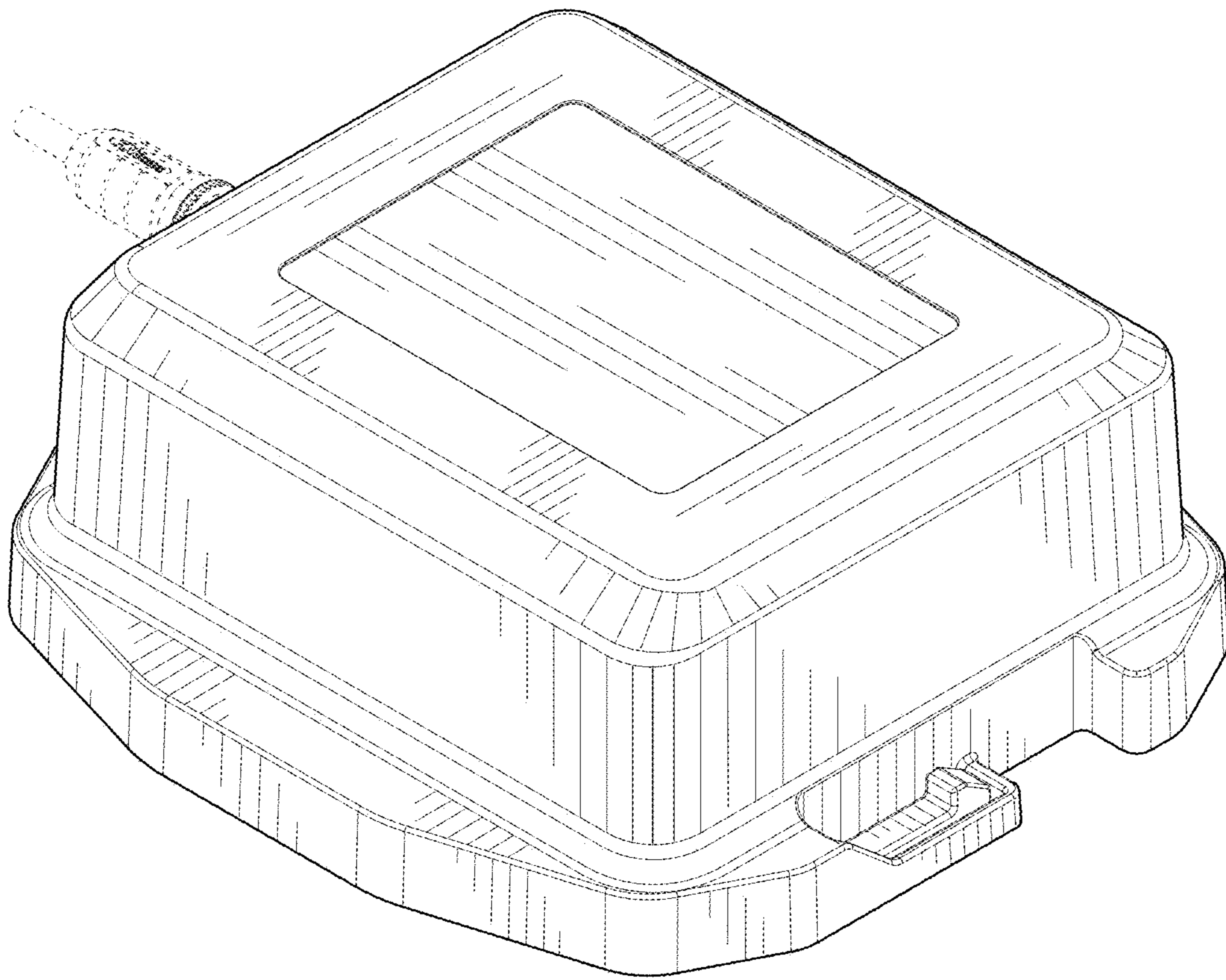


FIG.8