



US00D929470S

(12) **United States Design Patent** (10) **Patent No.:** **US D929,470 S**  
**Römer et al.** (45) **Date of Patent:** **\*\* Aug. 31, 2021**

(54) **ROAD ROLLER CAB**

(56) **References Cited**

(71) Applicant: **HAMM AG**, Tirschenreuth (DE)

U.S. PATENT DOCUMENTS

(72) Inventors: **Axel Römer**, Tirschenreuth (DE);  
**Ulrich Ewringmann**, Pöcking (DE);  
**Stefan Reber**, Weiden (DE); **Markus**  
**Beese**, Munich (DE); **Thomas Häring**,  
Mähring (DE); **Gernot Reif**, Buckenhof  
(DE); **Gerd Köstler**, Tirschenreuth  
(DE)

D531,647 S	*	11/2006	Stender	.....	D15/30
D541,825 S	*	5/2007	Pettersson	.....	D15/30
D561,205 S	*	2/2008	Pettersson	.....	D15/30
D579,028 S	*	10/2008	VanDeVeer	.....	D15/30
D605,207 S	*	12/2009	Menges	.....	D15/30
D660,881 S	*	5/2012	Bohme	.....	D15/30
D667,851 S	*	9/2012	Warr	.....	D15/30
D670,745 S	*	11/2012	Warr	.....	D15/30
D671,566 S	*	11/2012	Fang	.....	D15/30
D687,868 S	*	8/2013	Watson	.....	D15/30
D749,148 S	*	2/2016	Darekar	.....	D15/30
D749,149 S	*	2/2016	McAdam	.....	D15/30
D871,462 S	*	12/2019	Svitek	.....	D15/30
D874,524 S	*	2/2020	Iwata	.....	D15/30
D877,209 S	*	3/2020	Winkel	.....	D15/30

(73) Assignee: **HAMM AG**, Tirschenreuth (DE)

(\*\*) Term: **15 Years**

(21) Appl. No.: **29/779,912**

(22) Filed: **Apr. 21, 2021**

\* cited by examiner

*Primary Examiner* — Mark A Goodwin

(74) *Attorney, Agent, or Firm* — Greer, Burns & Crain,  
Ltd.

**Related U.S. Application Data**

(62) Division of application No. 29/686,501, filed on Apr.  
4, 2019.

(51) **LOC (13) Cl.** ..... **15-03**

(52) **U.S. Cl.**  
USPC ..... **D15/30**

(58) **Field of Classification Search**  
USPC ..... D15/10, 22–26, 28, 30; 180/89.1, 89.12,  
180/89.13, 900, 9.1, 9.2, 9.62; 37/379;  
414/694, 699, 722–724, 660, 685, 698,  
414/719, 743  
CPC ..... E02F 3/32; E02F 3/76; E02F 3/40; E02F  
3/325; E02F 3/352; E02F 3/384; E02F  
3/425; E02F 3/437; E02F 3/627; E02F  
3/964; E02F 9/163; E02F 9/0858; E02F  
9/0875; E02F 9/2045; E02F 9/006; E02F  
9/0808; E02F 9/0833; E02F 9/2004; E02F  
9/207; E02F 9/2091; E02F 9/2246; E02F  
9/2292

See application file for complete search history.

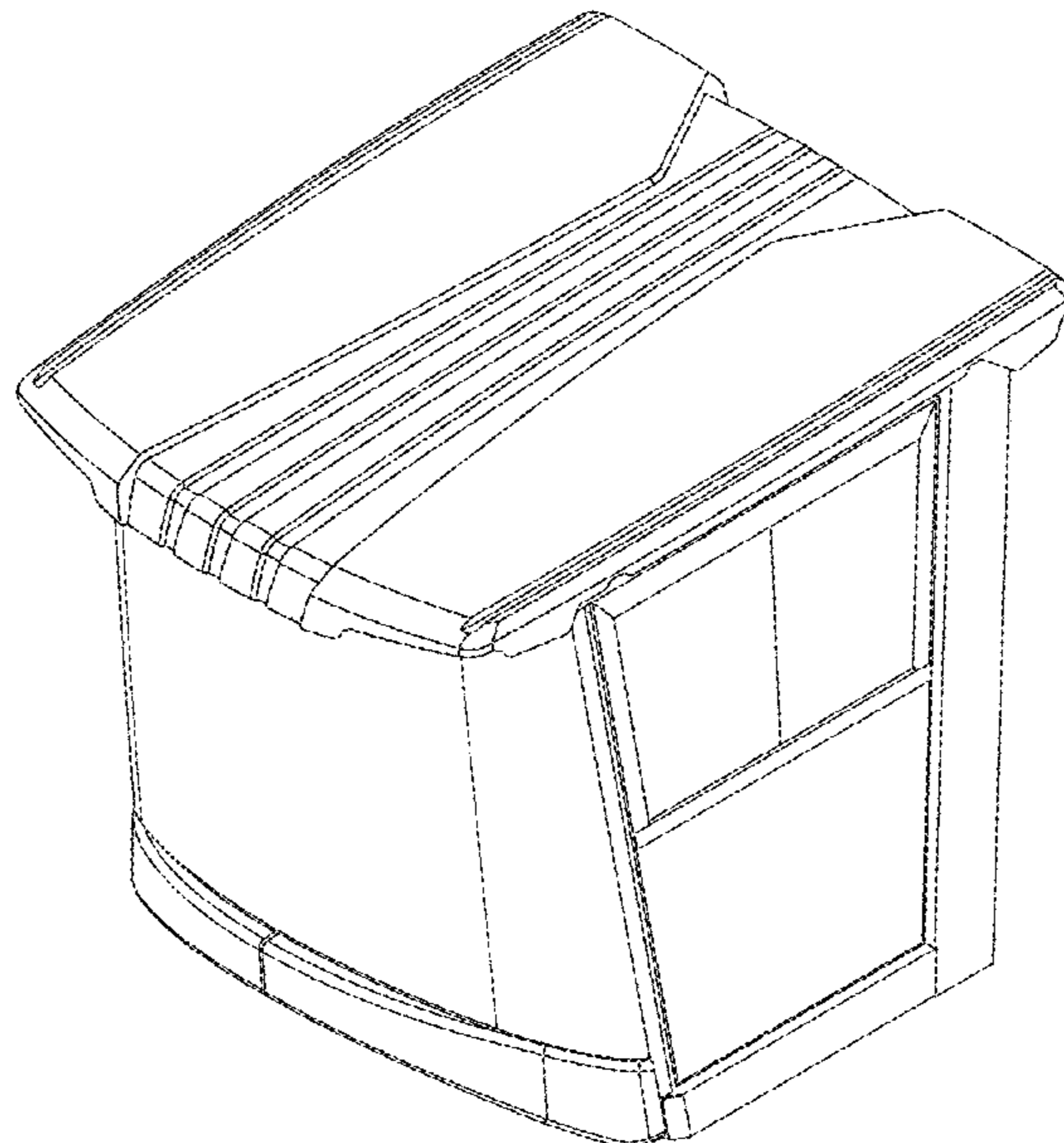
(57) **CLAIM**

The ornamental design for the road roller cab, as shown and  
described.

**DESCRIPTION**

FIG. 1 is a top front perspective view of the present road  
roller cab;  
FIG. 2 is a top rear perspective view of the road roller cab  
of FIG. 1;  
FIG. 3 is a front view of same;  
FIG. 4 is a rear view of the road roller cab of FIG. 1;  
FIG. 5 is a left side view of the road roller cab of FIG. 1;  
FIG. 6 is a right side view of same; and,  
FIG. 7 is a top view of the road roller cab of FIG. 1.

**1 Claim, 7 Drawing Sheets**



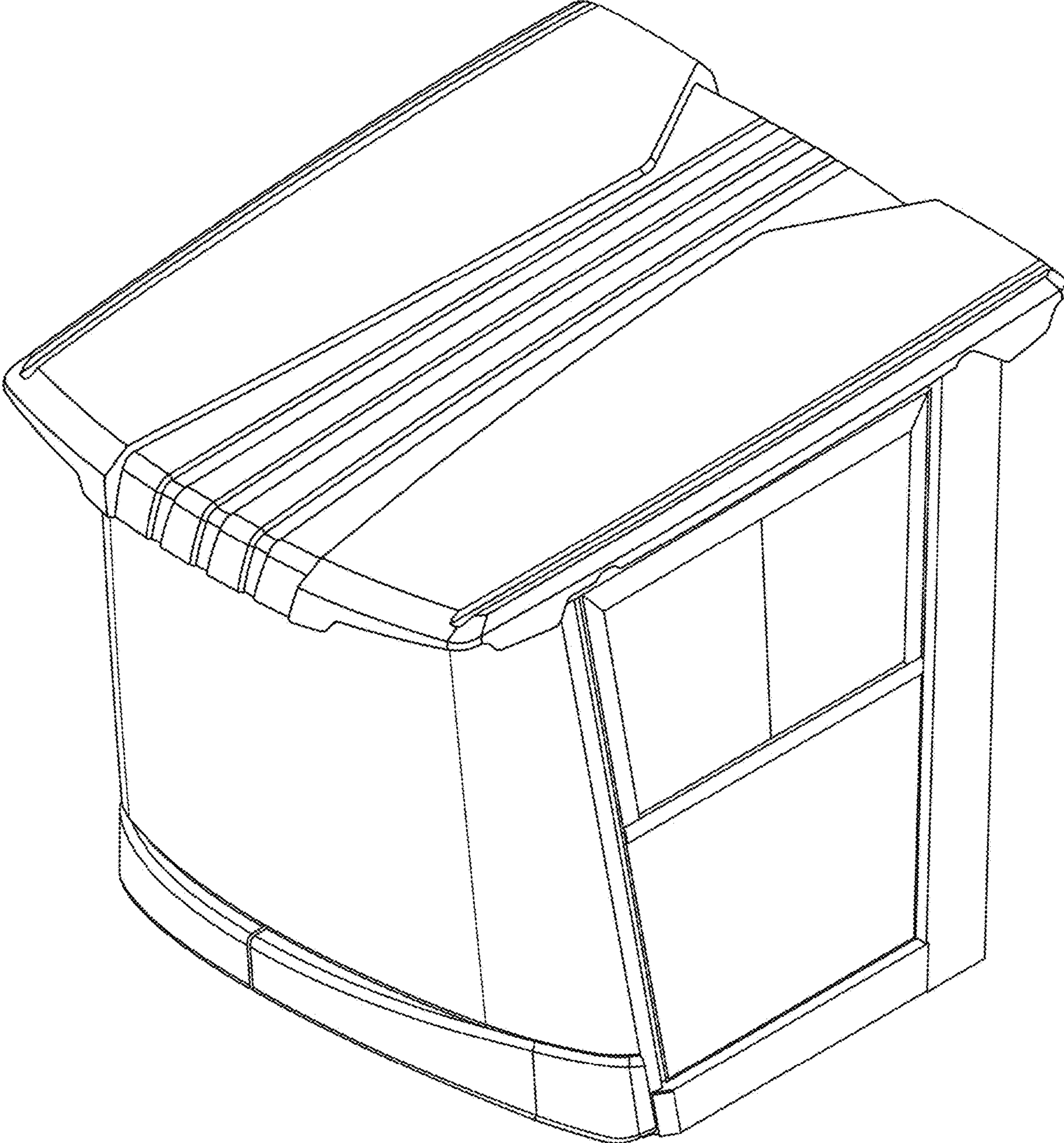


FIG. 1

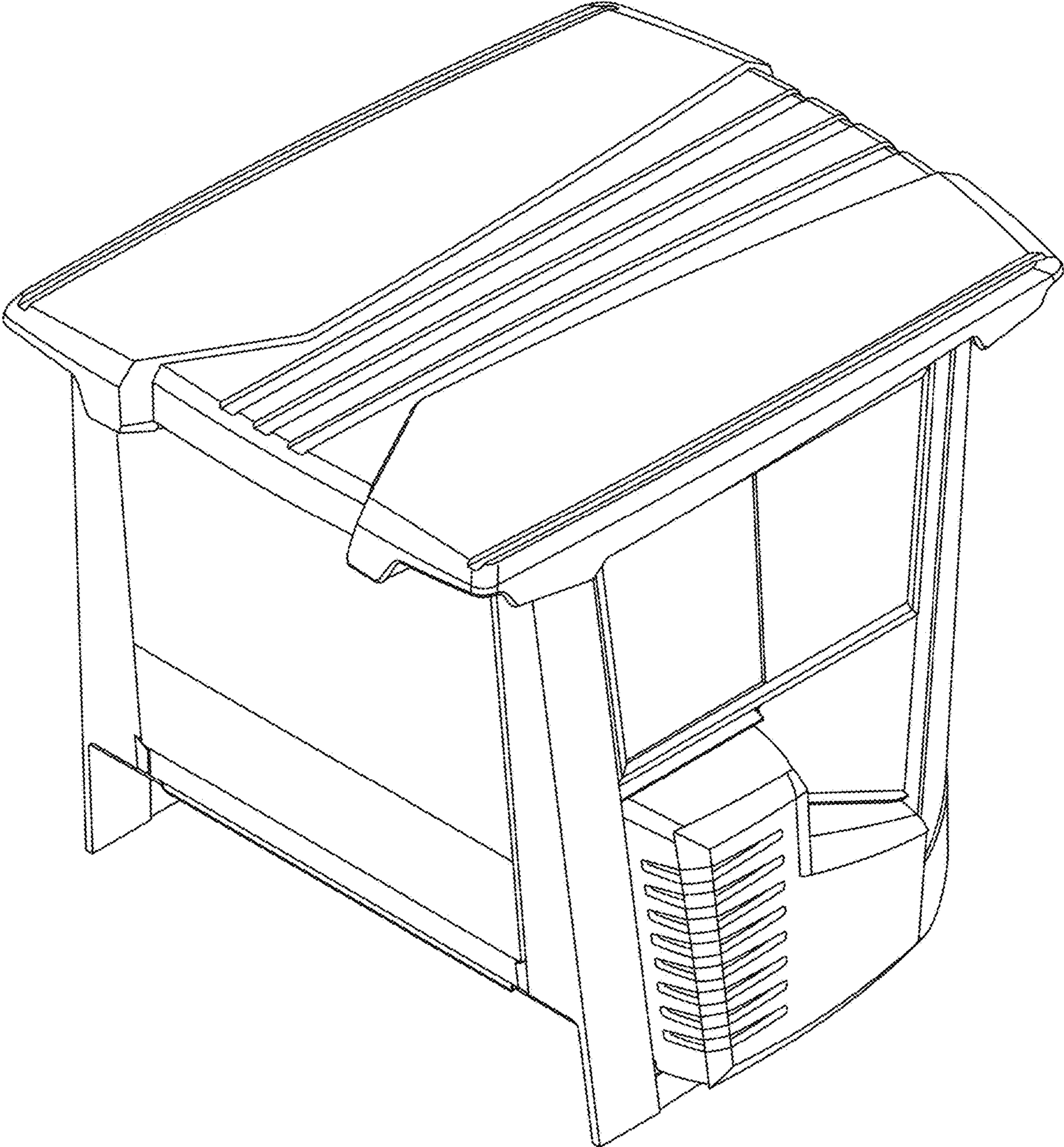


FIG. 2

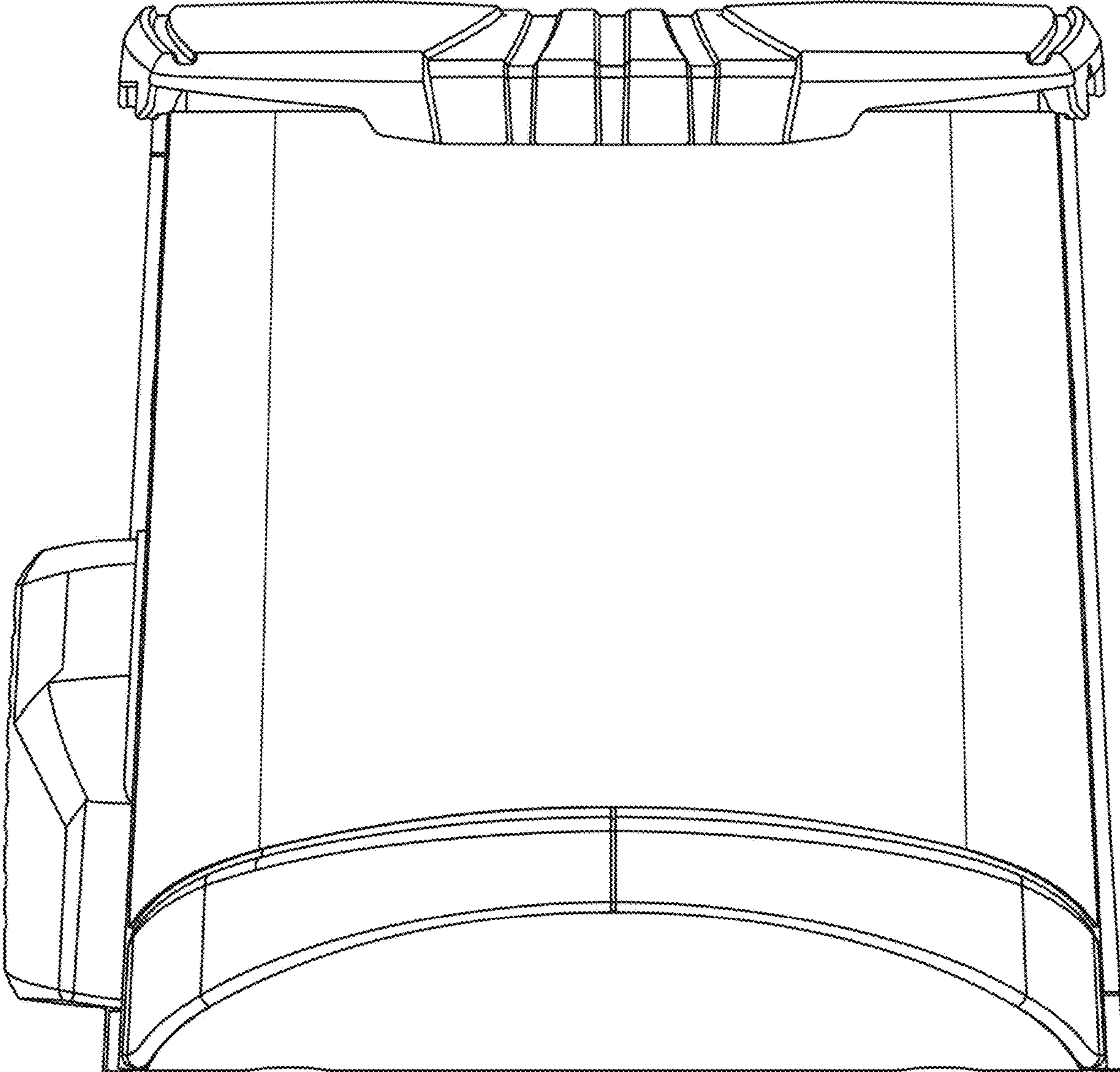


FIG. 3

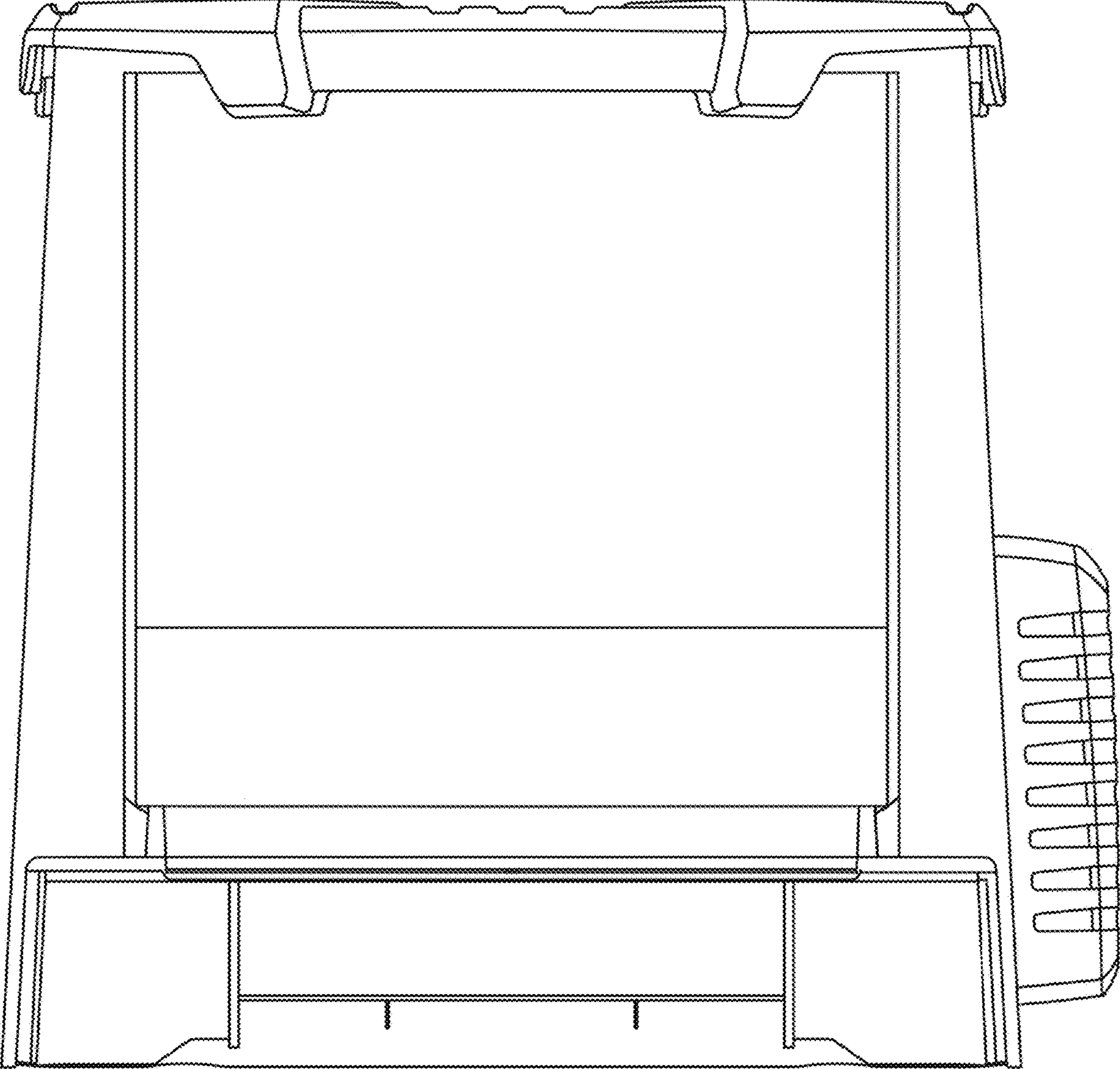


FIG. 4

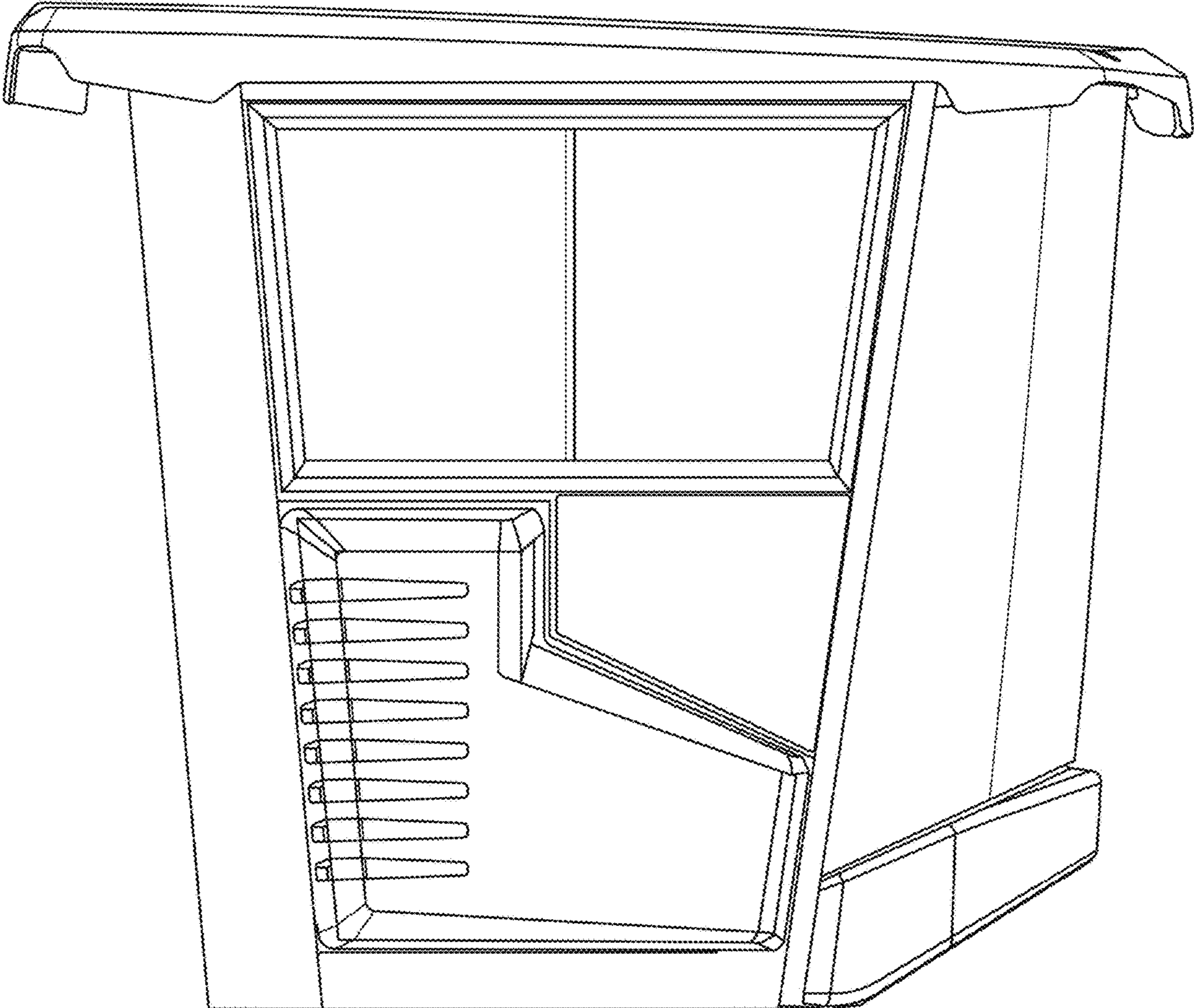


FIG. 5

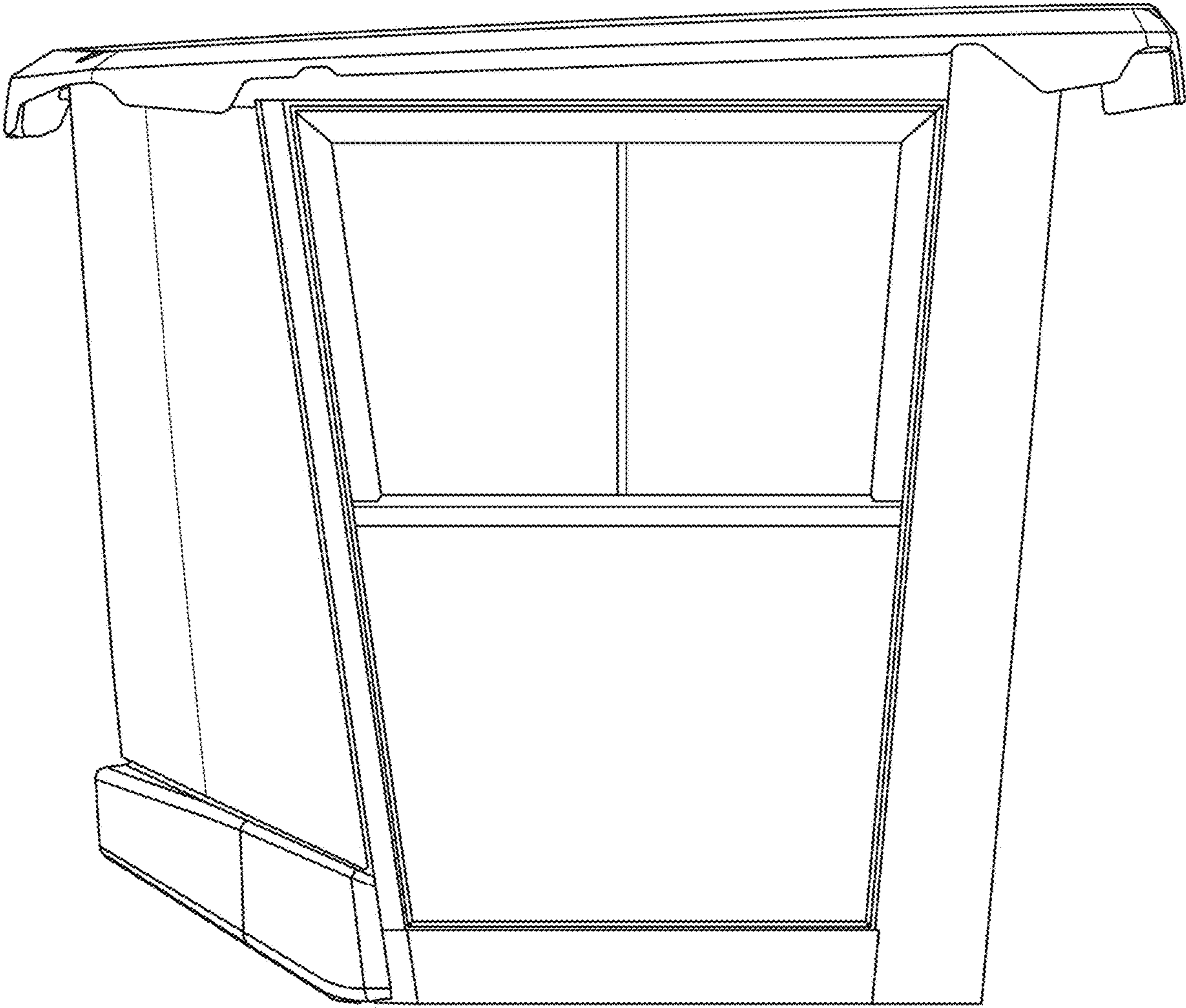


FIG. 6

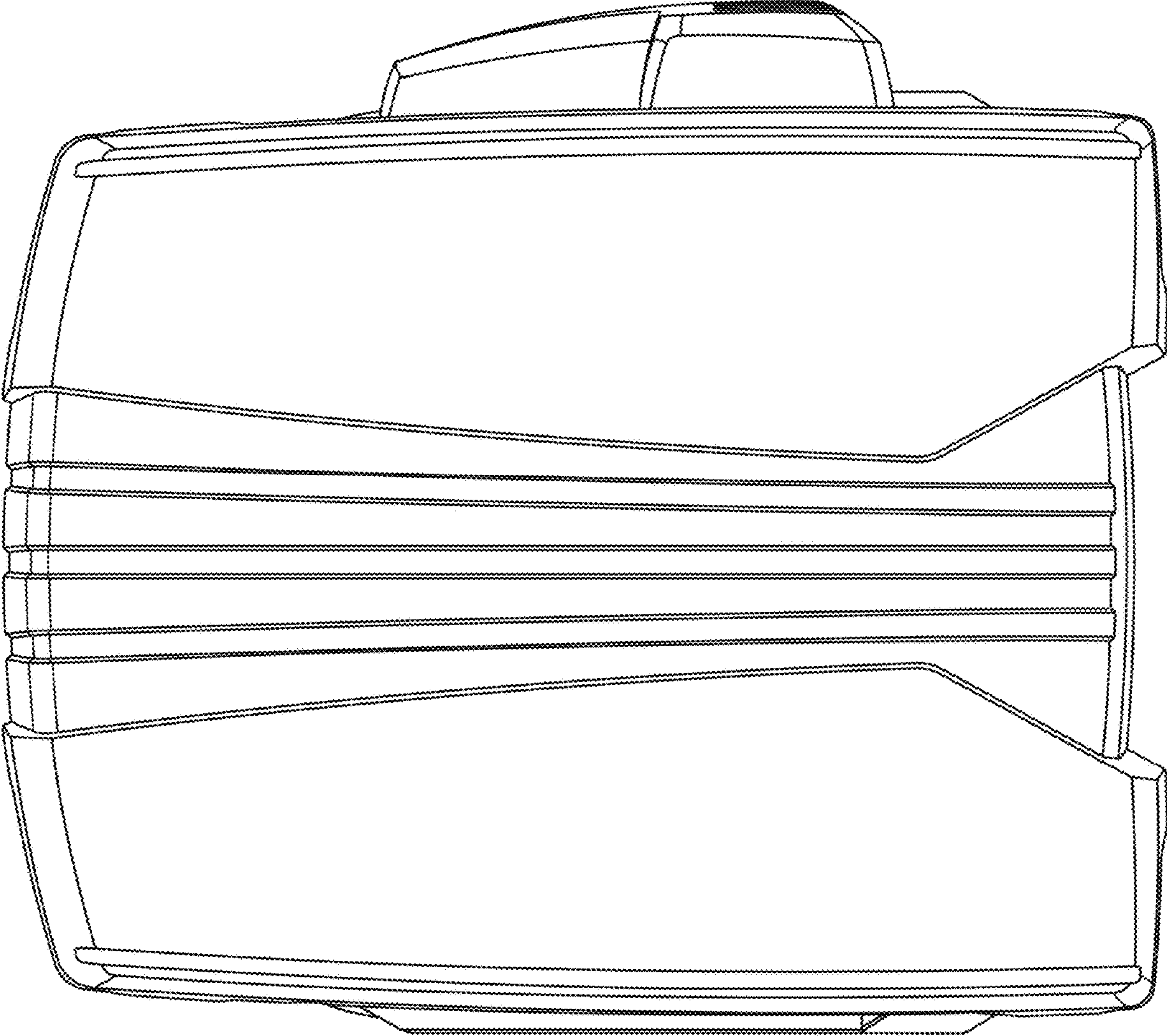


FIG. 7