



US00D929468S

(12) **United States Design Patent** (10) **Patent No.:** **US D929,468 S**  
**Rajopadhye et al.** (45) **Date of Patent:** **\*\* Aug. 31, 2021**

(54) **FENDER**  
(71) Applicant: **Deere & Company**, Moline, IL (US)  
(72) Inventors: **Dhananjay Rajopadhye**, Pune (IN);  
**Michael W. Mossman**, Silvis, IL (US);  
**Marshall T. Graves**, Bettendorf, IA  
(US); **Vivek Vedpathak**, Pune (IN);  
**Tobias Adami**, Munich (DE); **Florian  
Teubner**, Munich (DE)

(73) Assignee: **DEERE & COMPANY**, Moline, IL  
(US)

(\*\*) Term: **15 Years**

(21) Appl. No.: **29/712,592**

(22) Filed: **Nov. 8, 2019**

(30) **Foreign Application Priority Data**

May 9, 2019 (EM) ..... 006435889

(51) **LOC (13) Cl.** ..... **15-03**

(52) **U.S. Cl.**  
USPC ..... **D15/28**

(58) **Field of Classification Search**  
USPC .... D15/10-12, 22-26, 28, 33; 56/14.5-14.7,  
56/16.6, 122-125

(Continued)

(56) **References Cited**

**U.S. PATENT DOCUMENTS**

4,502,270 A 3/1985 Shupert  
D373,591 S \* 9/1996 Von Allworden ..... D15/26

(Continued)

**FOREIGN PATENT DOCUMENTS**

CN 302092321 S 9/2012  
CN 302220180 S 12/2012

**OTHER PUBLICATIONS**

Deere & Company, Grain Harvesting Combines and Front End  
Equipment, Brochure, Oct. 2018.

(Continued)

*Primary Examiner* — Mark A Goodwin  
(74) *Attorney, Agent, or Firm* — Klintworth & Rozenblat  
IP, LLP

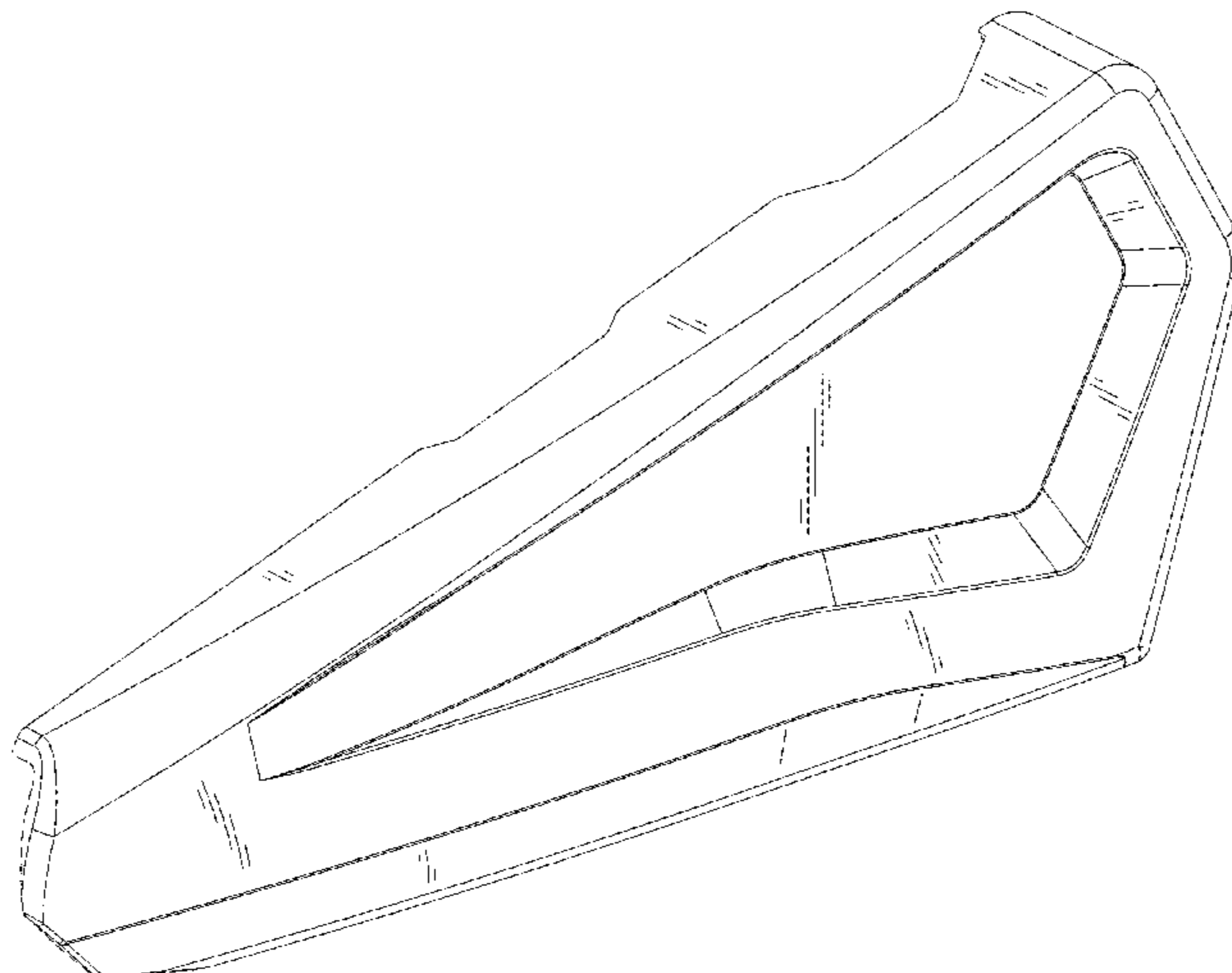
(57) **CLAIM**

The ornamental design for a fender, as shown and described.

**DESCRIPTION**

FIG. 1 is a perspective view of a fender according to our new design;  
FIG. 2 is a first side elevational view thereof;  
FIG. 3 is a second side elevational view thereof;  
FIG. 4 is a first end elevational view thereof;  
FIG. 5 is a second end elevational view thereof;  
FIG. 6 is a first plan view thereof;  
FIG. 7 is a second plan view thereof;  
FIG. 8 is a perspective view of a fender according to another embodiment of our new design;  
FIG. 9 is a first side elevational view thereof;  
FIG. 10 is a second side elevational view thereof;  
FIG. 11 is a first end elevational view thereof;  
FIG. 12 is a second end elevational view thereof;  
FIG. 13 is a first plan view thereof;  
FIG. 14 is a second plan view thereof;  
FIG. 15 is a perspective view of a fender according to another embodiment of our new design;  
FIG. 16 is a first side elevational view thereof;  
FIG. 17 is a second side elevational view thereof;  
FIG. 18 is a first end elevational view thereof;  
FIG. 19 is a second end elevational view thereof;  
FIG. 20 is a first plan view thereof; and  
FIG. 21 is a second plan view thereof.  
FIG. 22 is a perspective view of a fender according to another embodiment of our new design;  
FIG. 23 is a first side elevational view thereof;  
FIG. 24 is a second side elevational view thereof;  
FIG. 25 is a first end elevational view thereof;  
FIG. 26 is a second end elevational view thereof;  
FIG. 27 is a first plan view thereof; and,  
FIG. 28 is a second plan view thereof.  
The dash lines depict environment subject matter that forms no part of the claimed design.

**1 Claim, 20 Drawing Sheets**



(58) **Field of Classification Search**

CPC ..... A01B 73/00; A01D 75/00; A01D 41/06;  
 A01D 41/1208; A01D 41/00; A01D  
 67/00; A01D 45/00; A01D 45/02; A01D  
 45/021; A01D 43/081

See application file for complete search history.

(56) **References Cited**

U.S. PATENT DOCUMENTS

D639,826	S	*	6/2011	Barrelmeyer	.....	D15/26
D643,052	S	*	8/2011	Hagele	.....	D15/33
D648,357	S	*	11/2011	Hagele	.....	D15/33
D717,345	S	*	11/2014	Budde	.....	D15/26
D736,271	S	*	8/2015	Jacobsthal	.....	D15/33
D743,450	S	*	11/2015	Claeys	.....	D15/33
D746,342	S	*	12/2015	Jacobsthal	.....	D15/33
D794,086	S	*	8/2017	Thompson	.....	D15/26
D826,994	S	*	8/2018	De Smet	.....	D15/26
D879,843	S	*	3/2020	Gonzales	.....	D15/33
D880,539	S	*	4/2020	Depoorter	.....	D15/33
2017/0086374	A1		3/2017	Engel		

OTHER PUBLICATIONS

Claas of America, Improves Profitability with Increasing Revenue, Google Search, <https://www.serbia.claas.com/news-testimonials/current/claas-news/claas-improves-profitability-with-increasing-revenue-/1904264>, 2019.

Claas of America, photograph of header, 2017.

New Holland, Overview—Corn Heads Leading From The Front, Combines & Headers, <https://agriculture.newholland.com/nar/en-us/equipment/products/combines-and-headers/com-heads>, 2019.

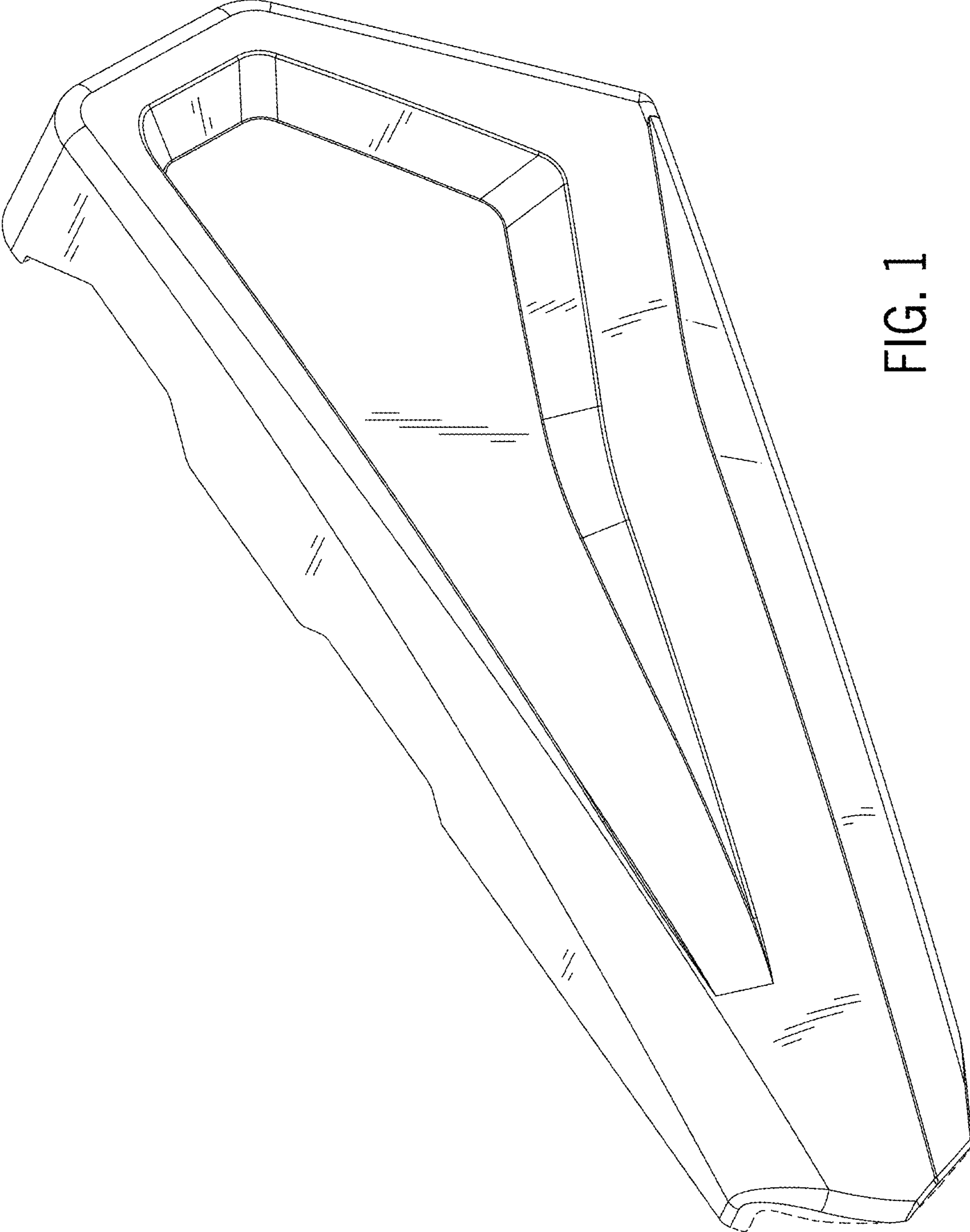
MacDon Industries Ltd, D65 Draper Header, Draper Headers for Combine, <https://www.macdon.com/en/products/d65-draper-headers-for-combine/>, 2019.

New Holland, Draper Heads—Overview Combines & Headers New Holland (US) NHAG, <https://agriculture.newholland.com/nar/en-us/equipment/products/combines-and-headers/draper-heads>, 2019.

Case IH, Draper Heads Combine Harvester, Case IH 3100 Series II Draper Heads, <https://www.caseih.com/northamerica/en-us/products/harvesting/draper-heads>, Copyright 2020.

Massey Ferguson, 9250 DynaFlex Draper Header, <http://www.masseyferguson.us/products/combine-harvesting/9250-dynaflex-draper-headers.html#0>, Copyright 2020.

\* cited by examiner



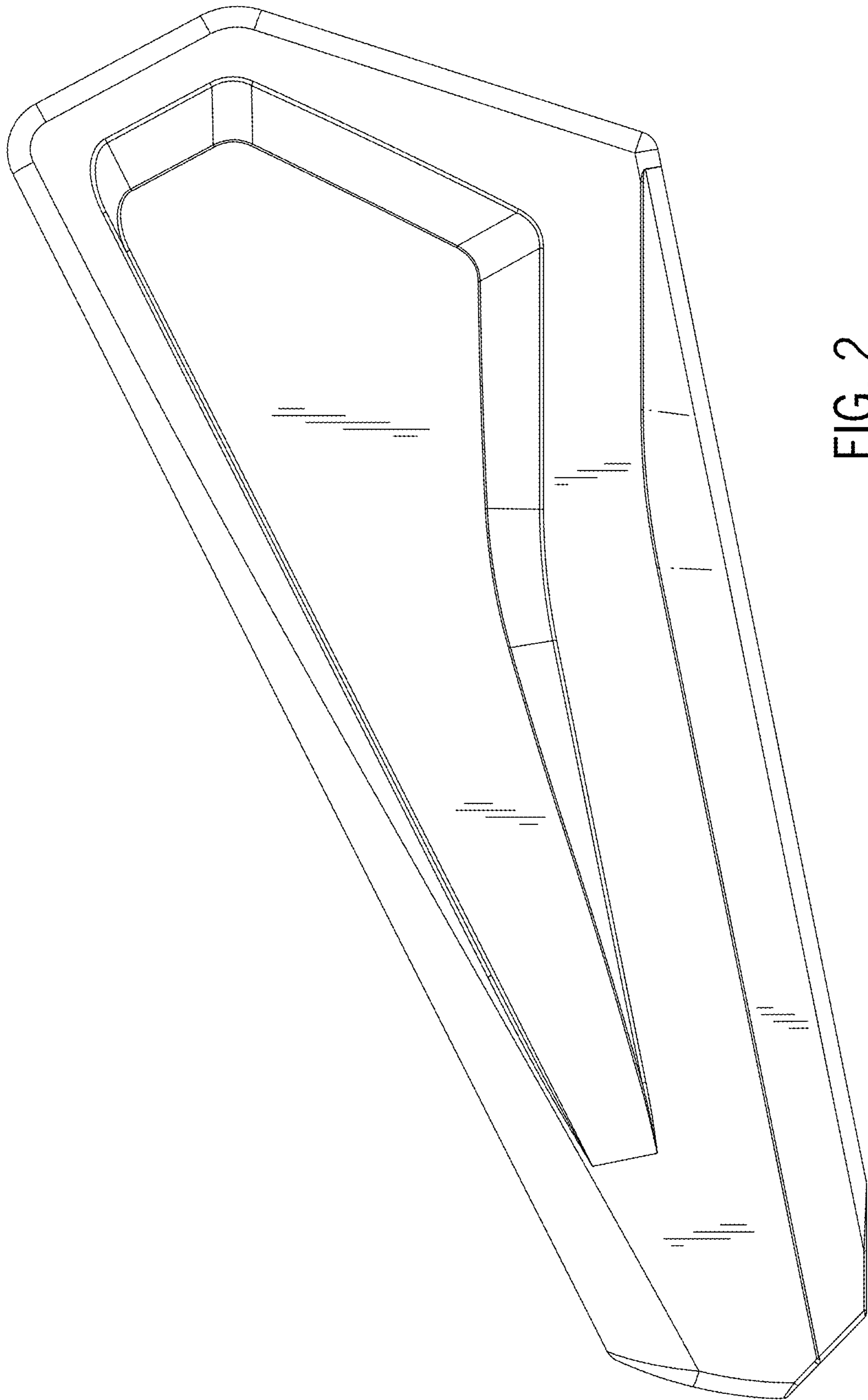


FIG. 2

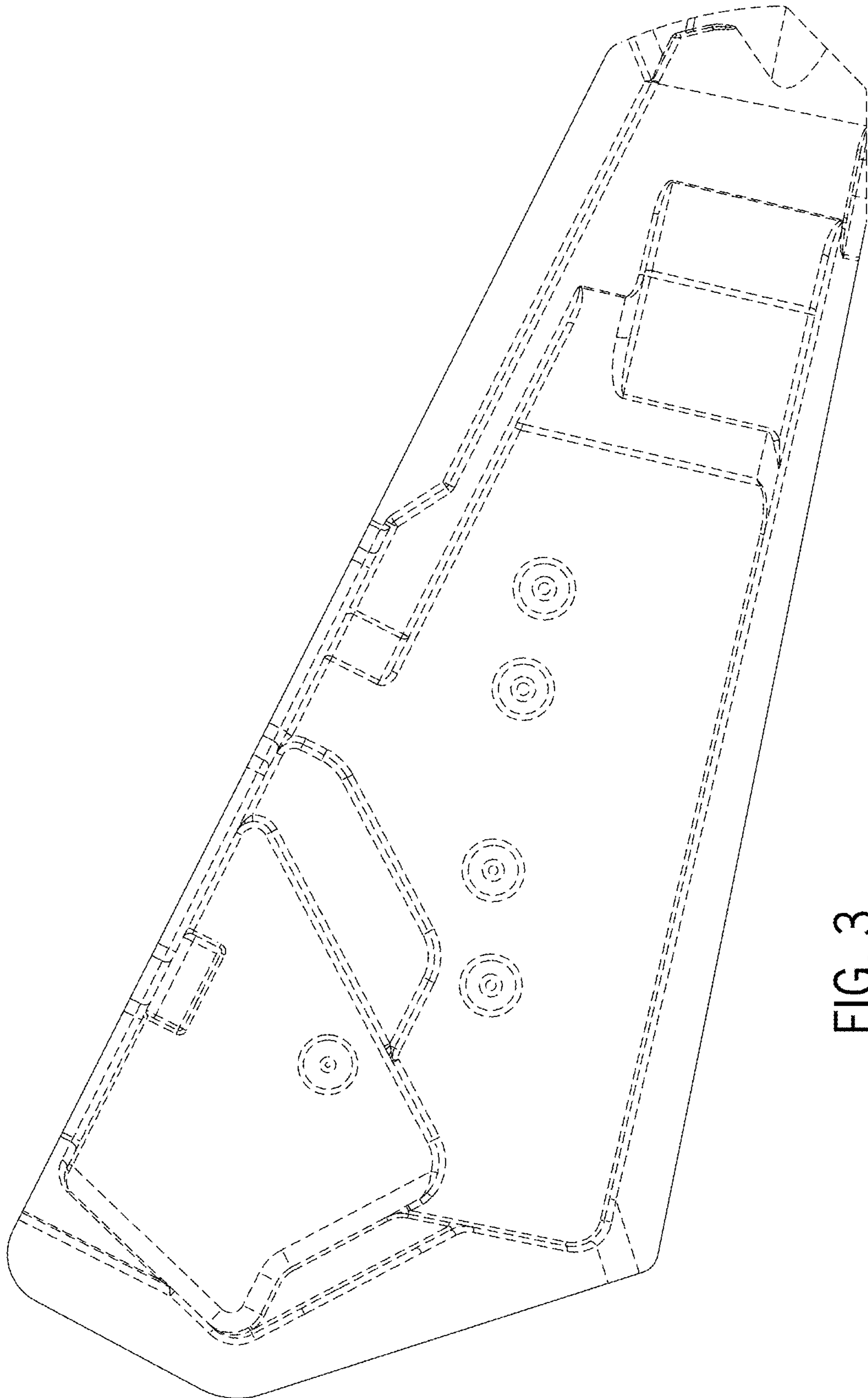


FIG. 3

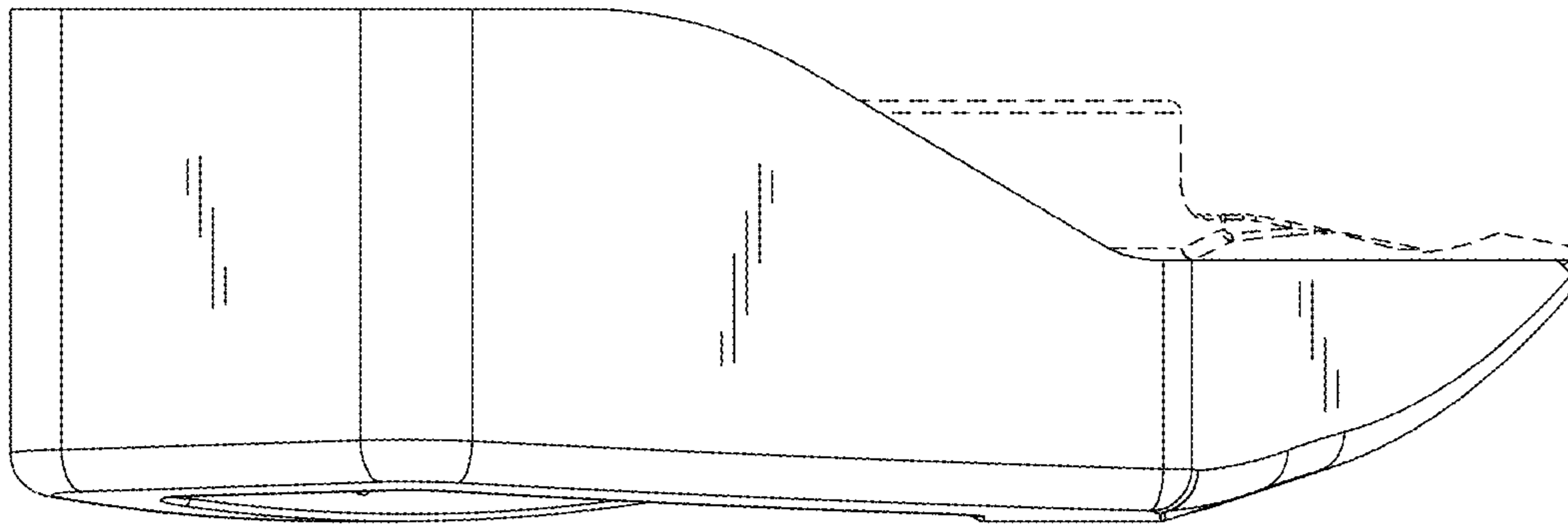


FIG. 5

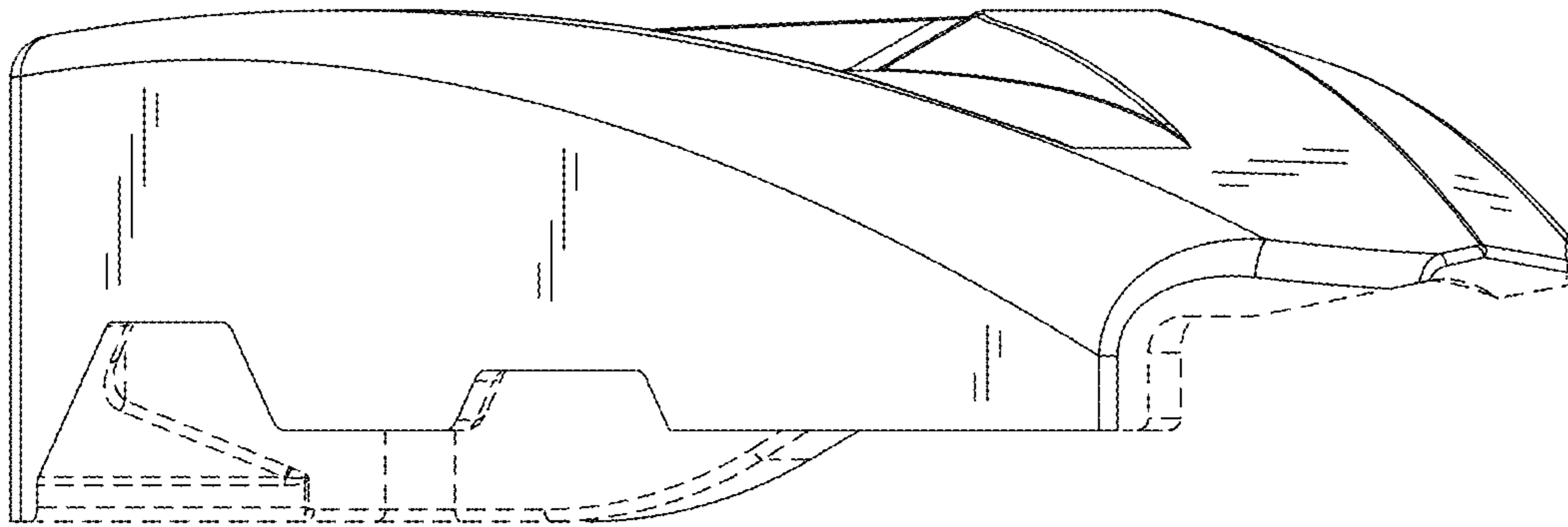


FIG. 4

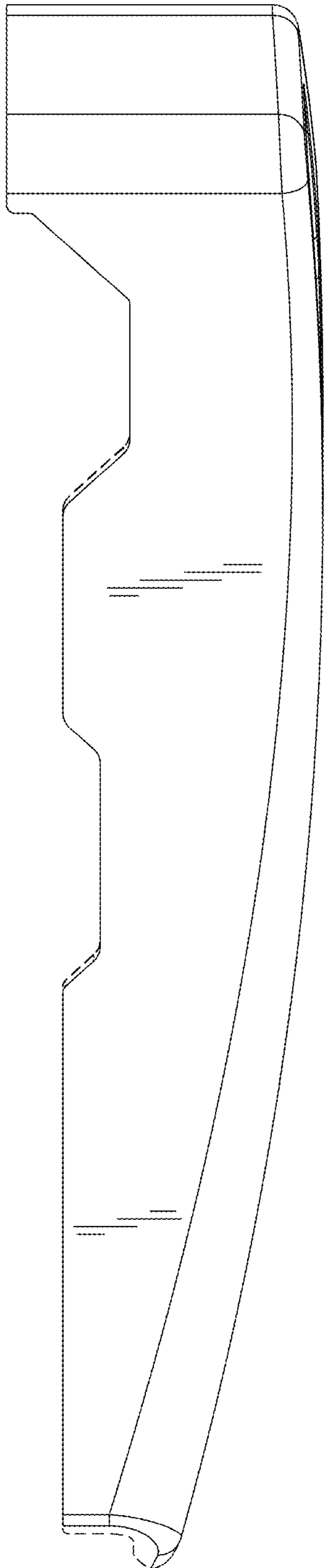


FIG. 6

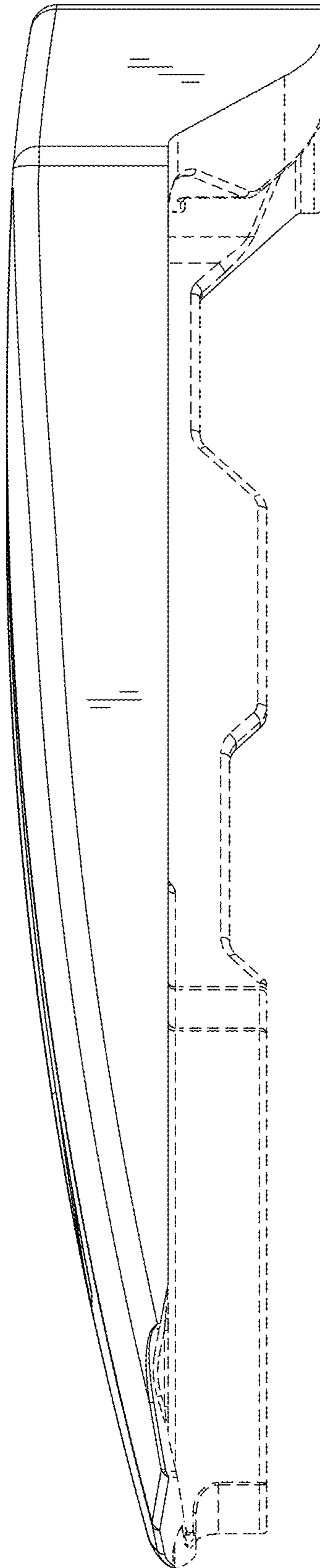


FIG. 7

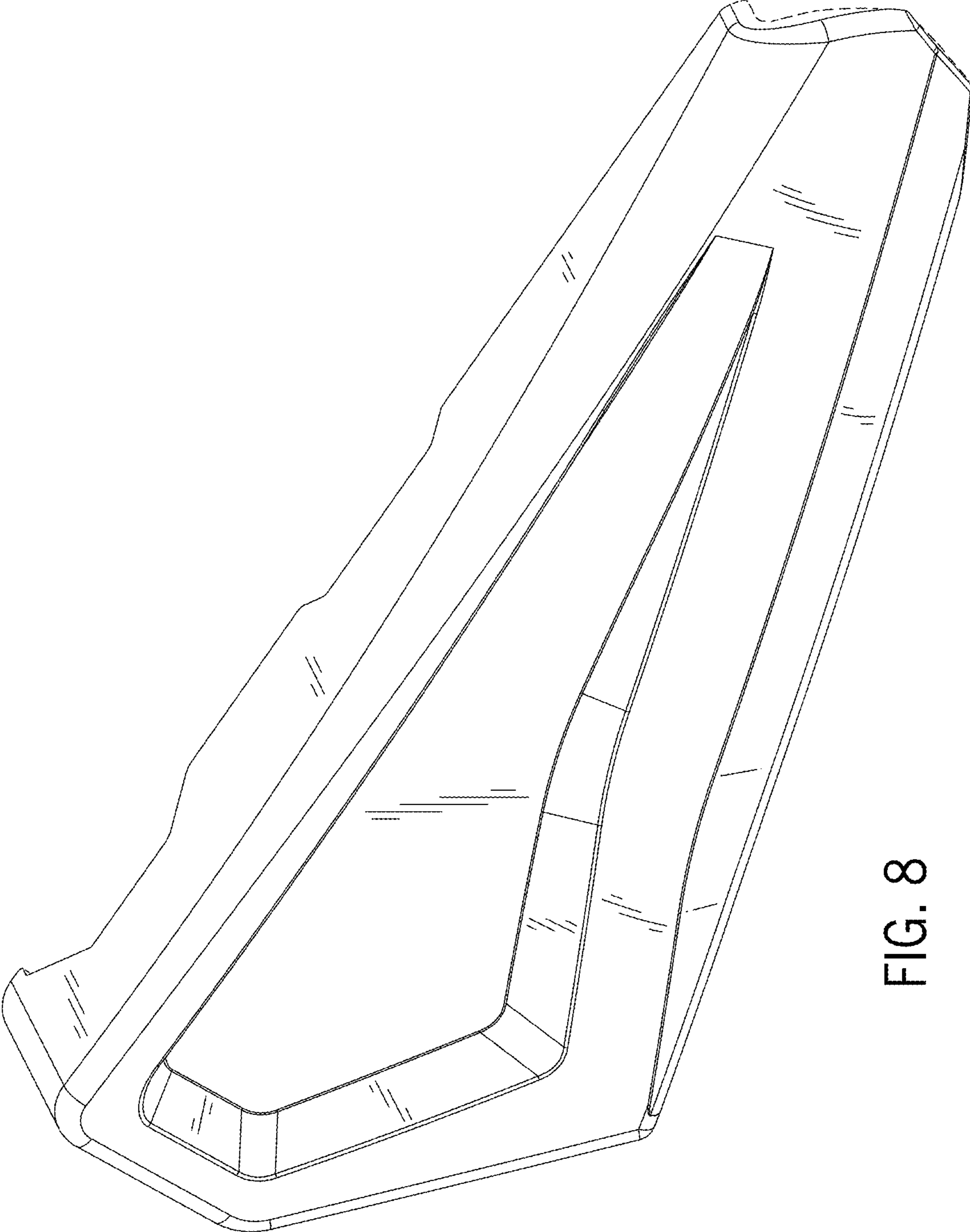


FIG. 8



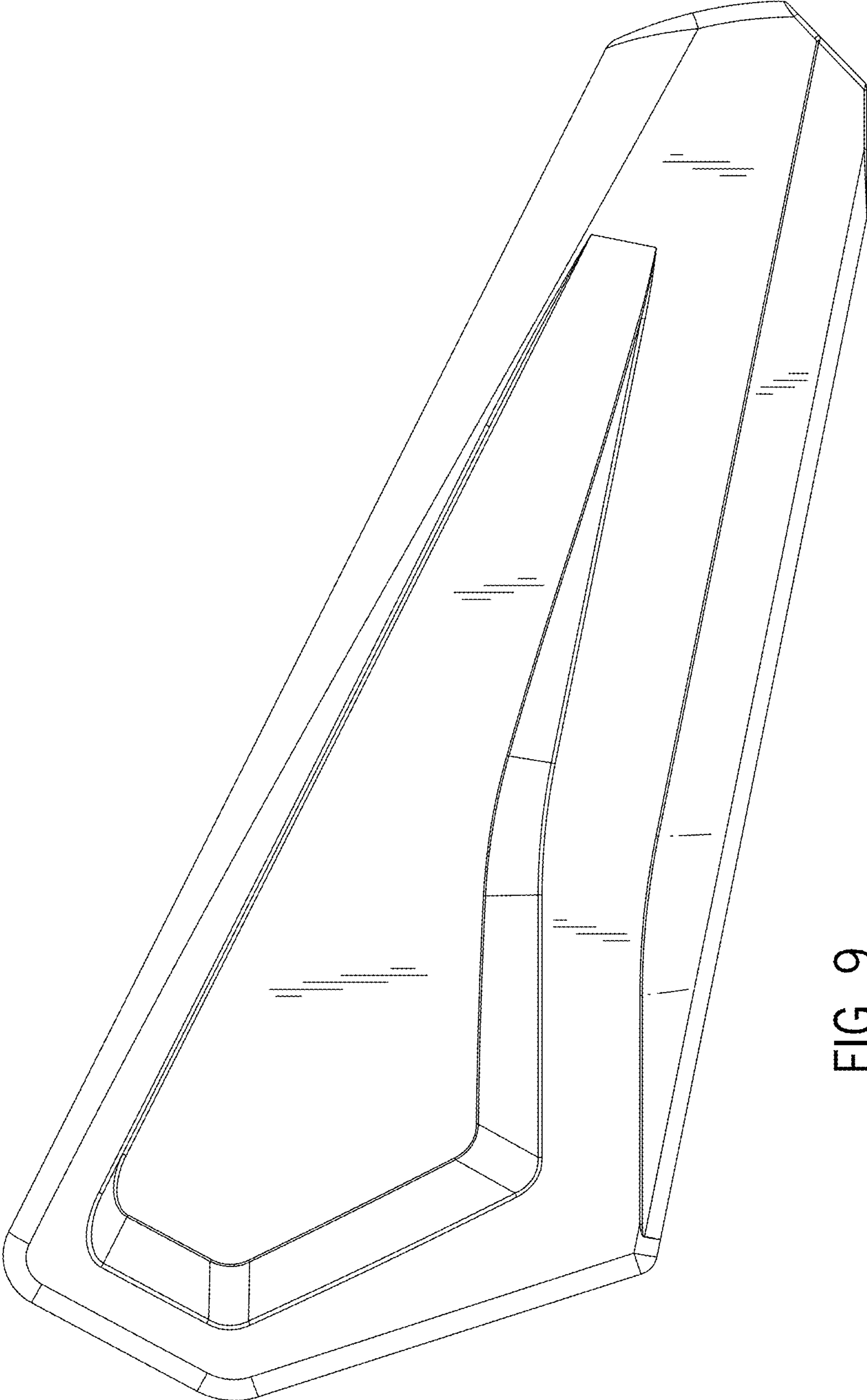


FIG. 9

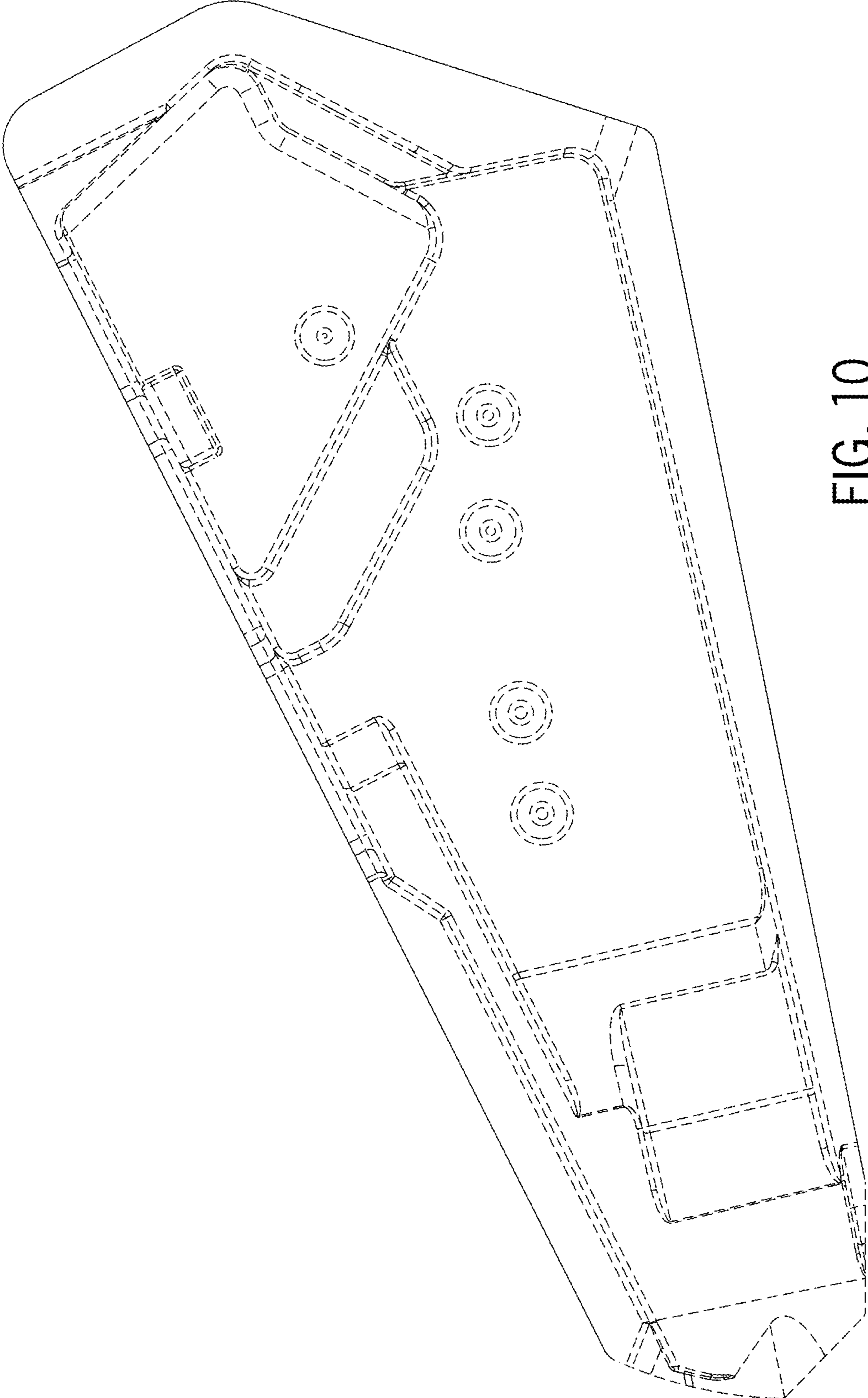


FIG. 10

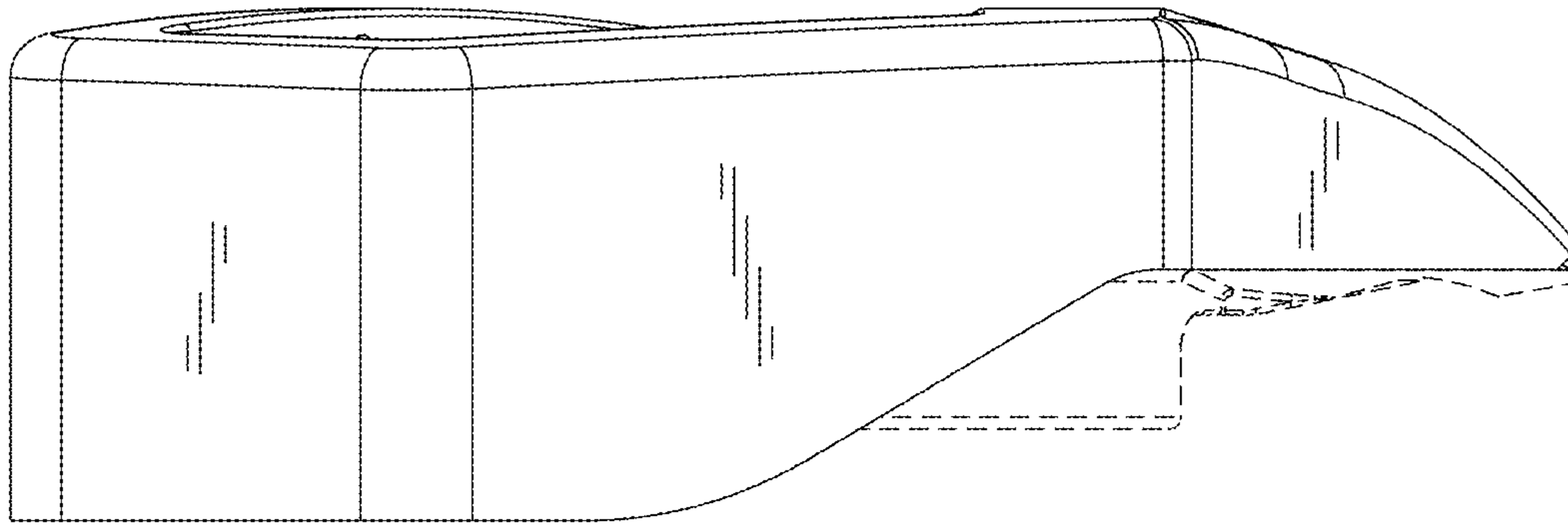


FIG. 12

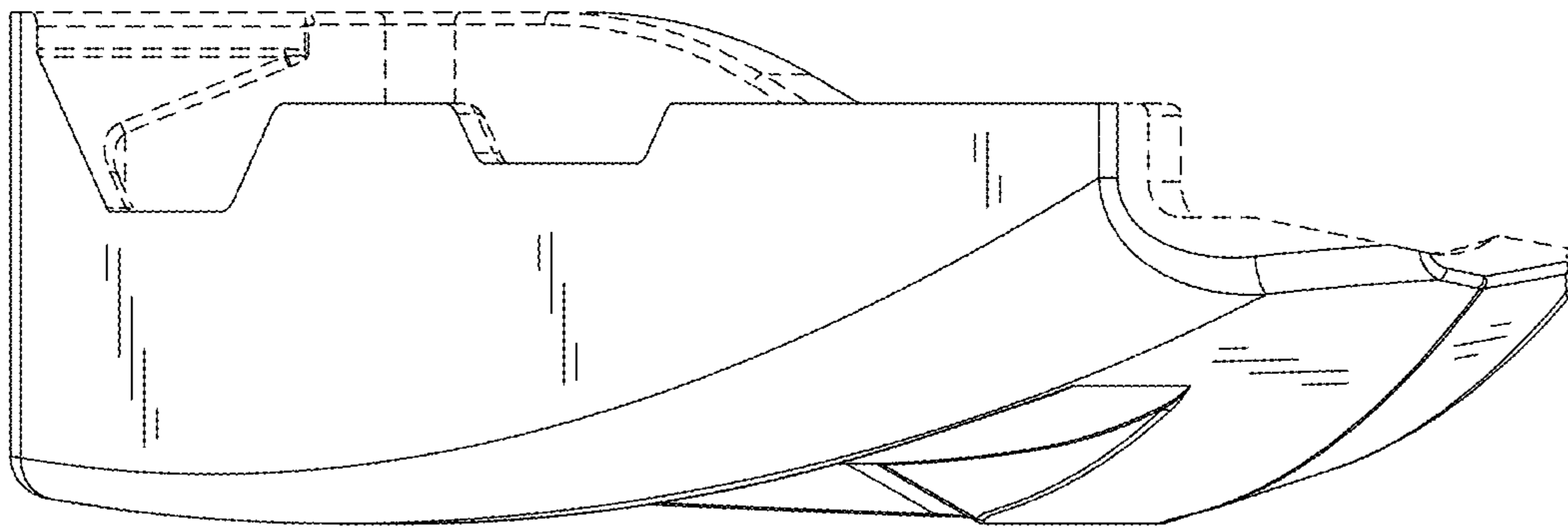


FIG. 11

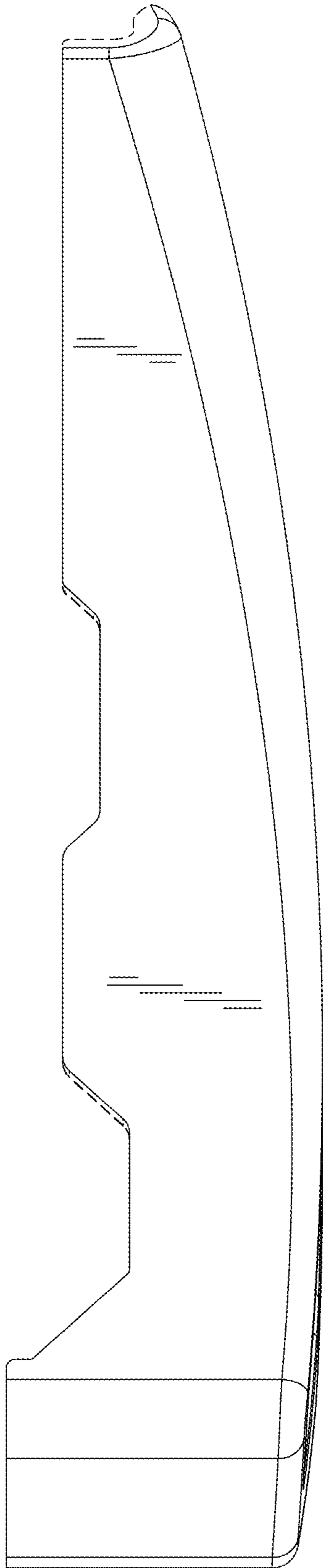


FIG. 13

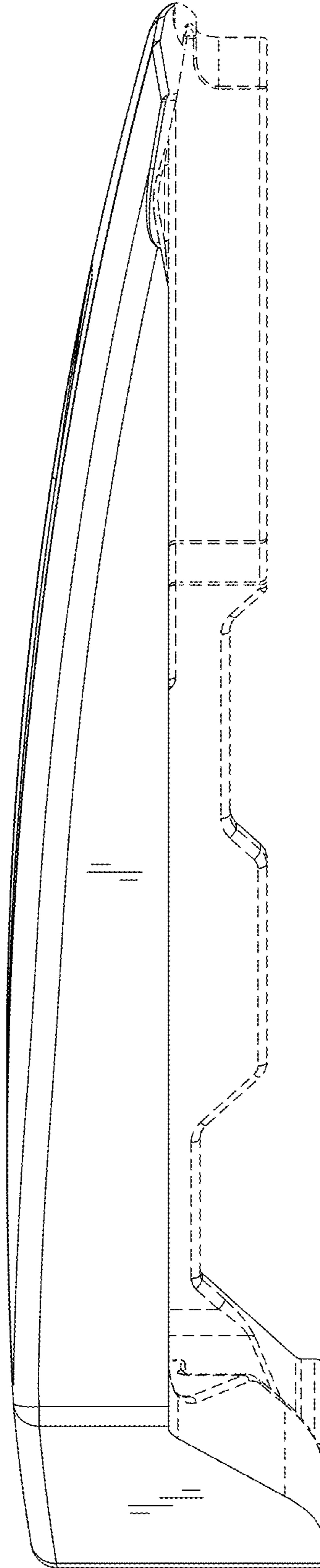


FIG. 14

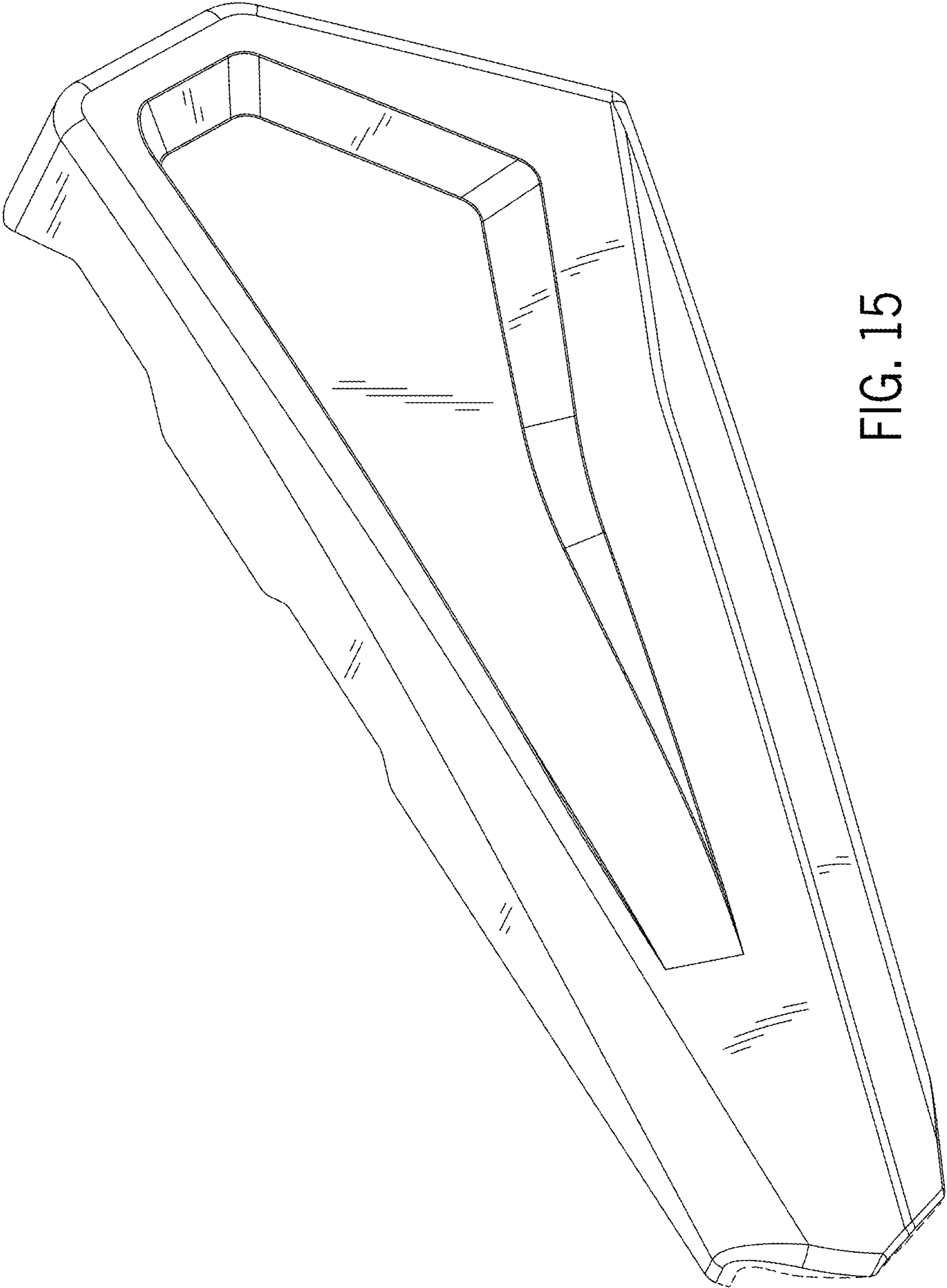


FIG. 15

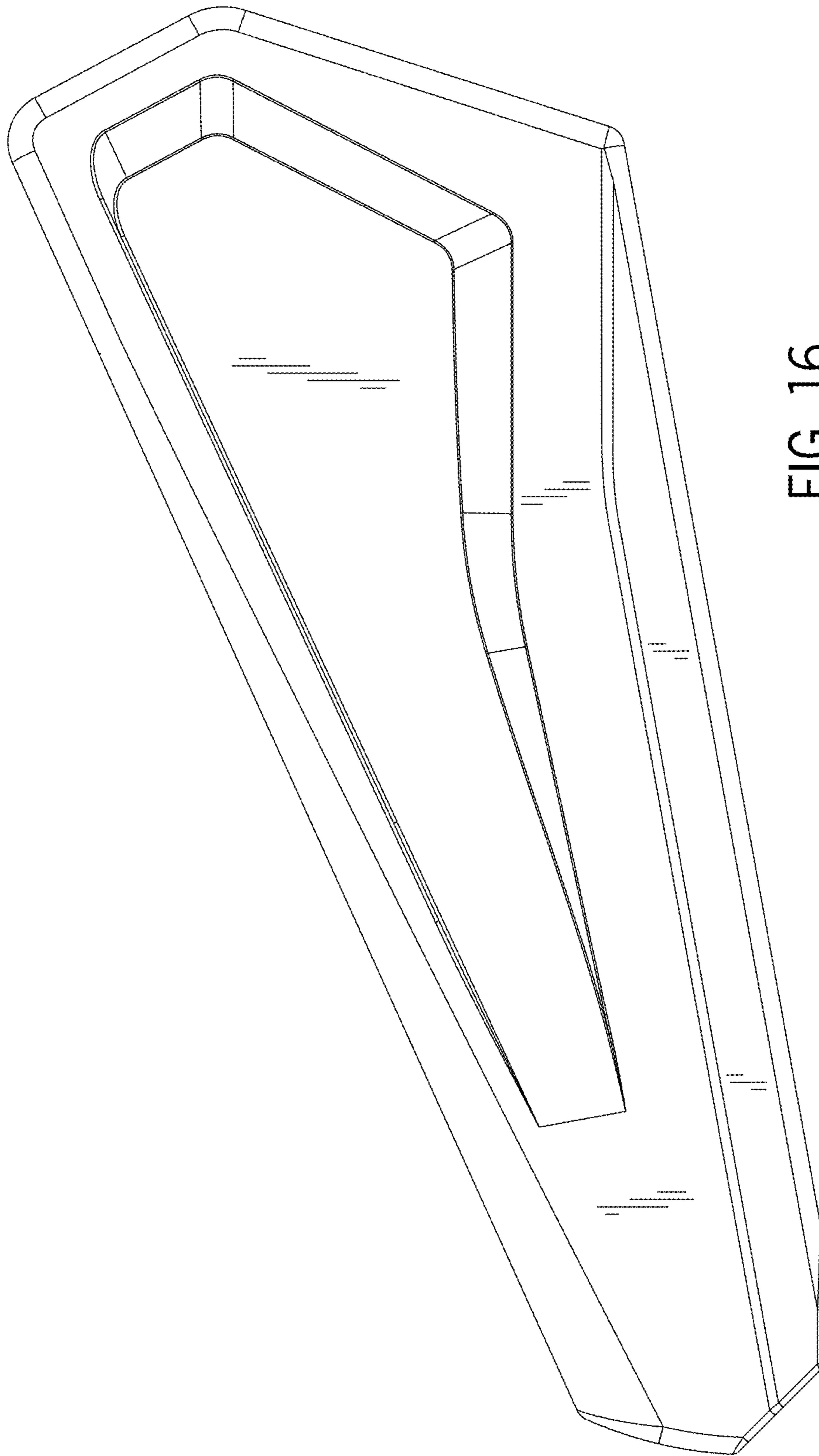


FIG. 16

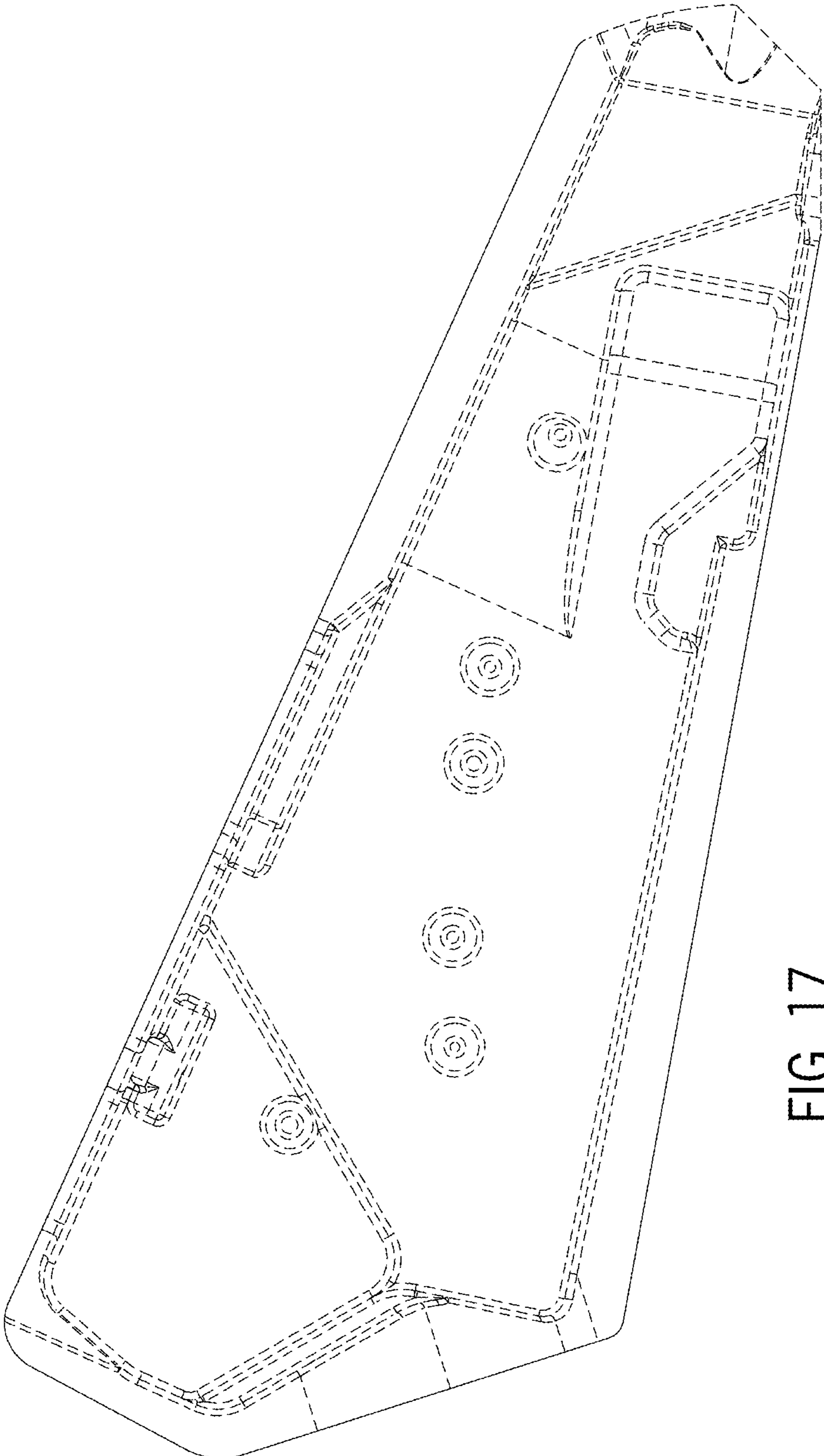


FIG. 17

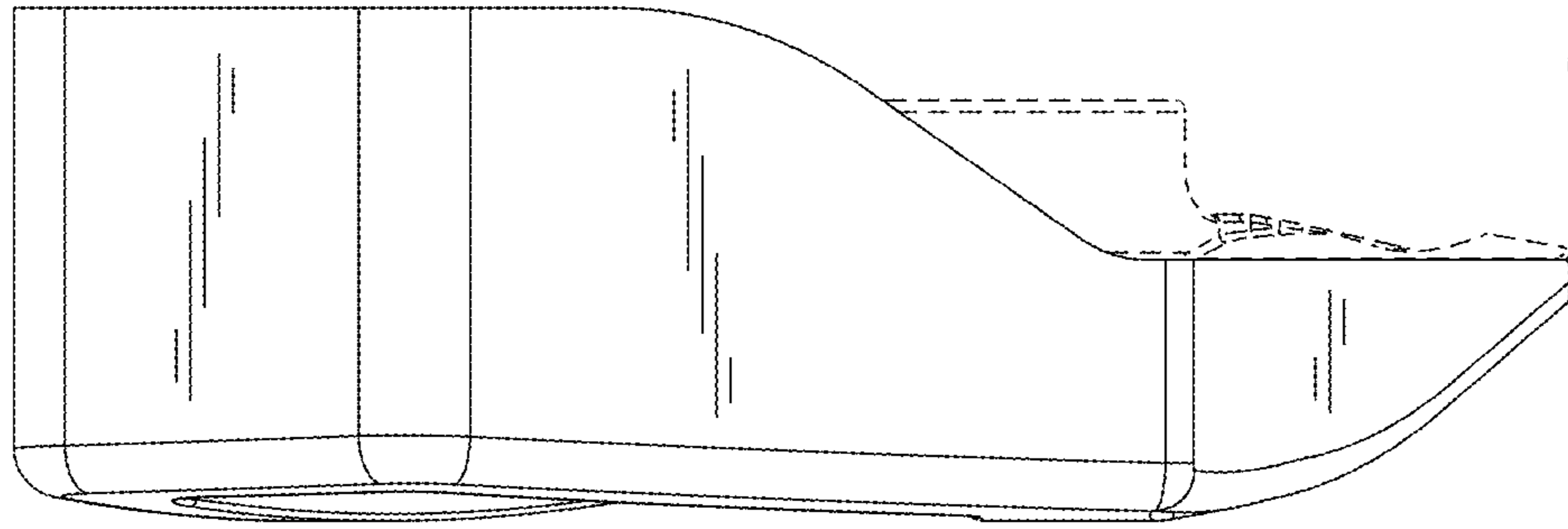


FIG. 19

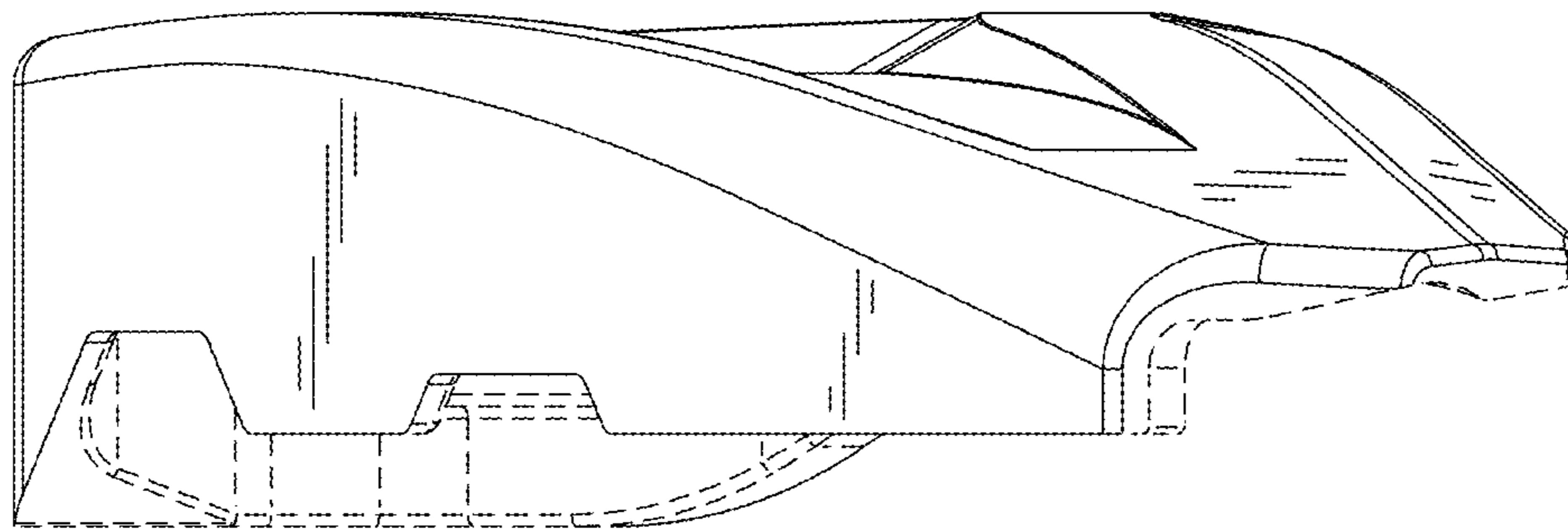


FIG. 18



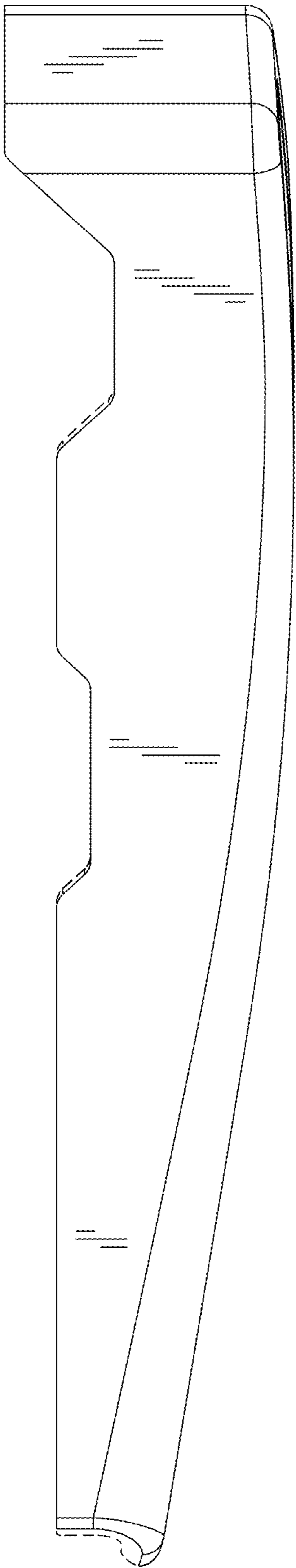


FIG. 20

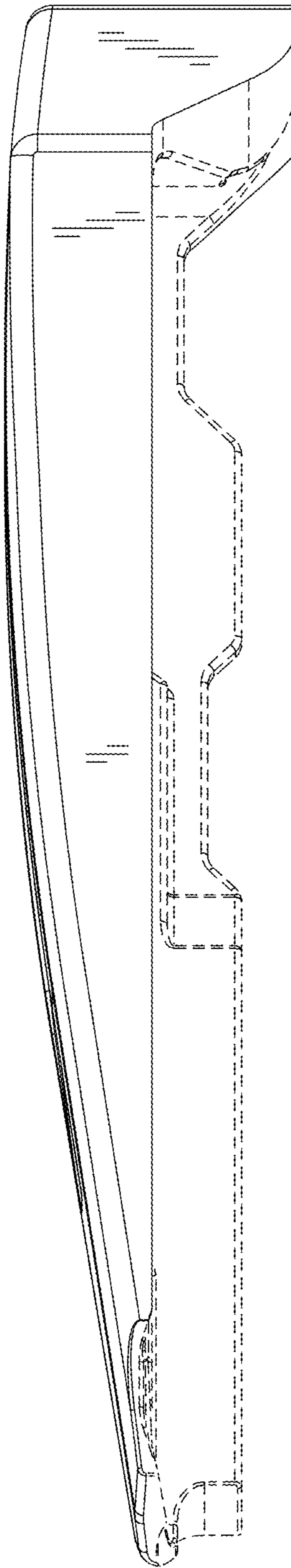


FIG. 21

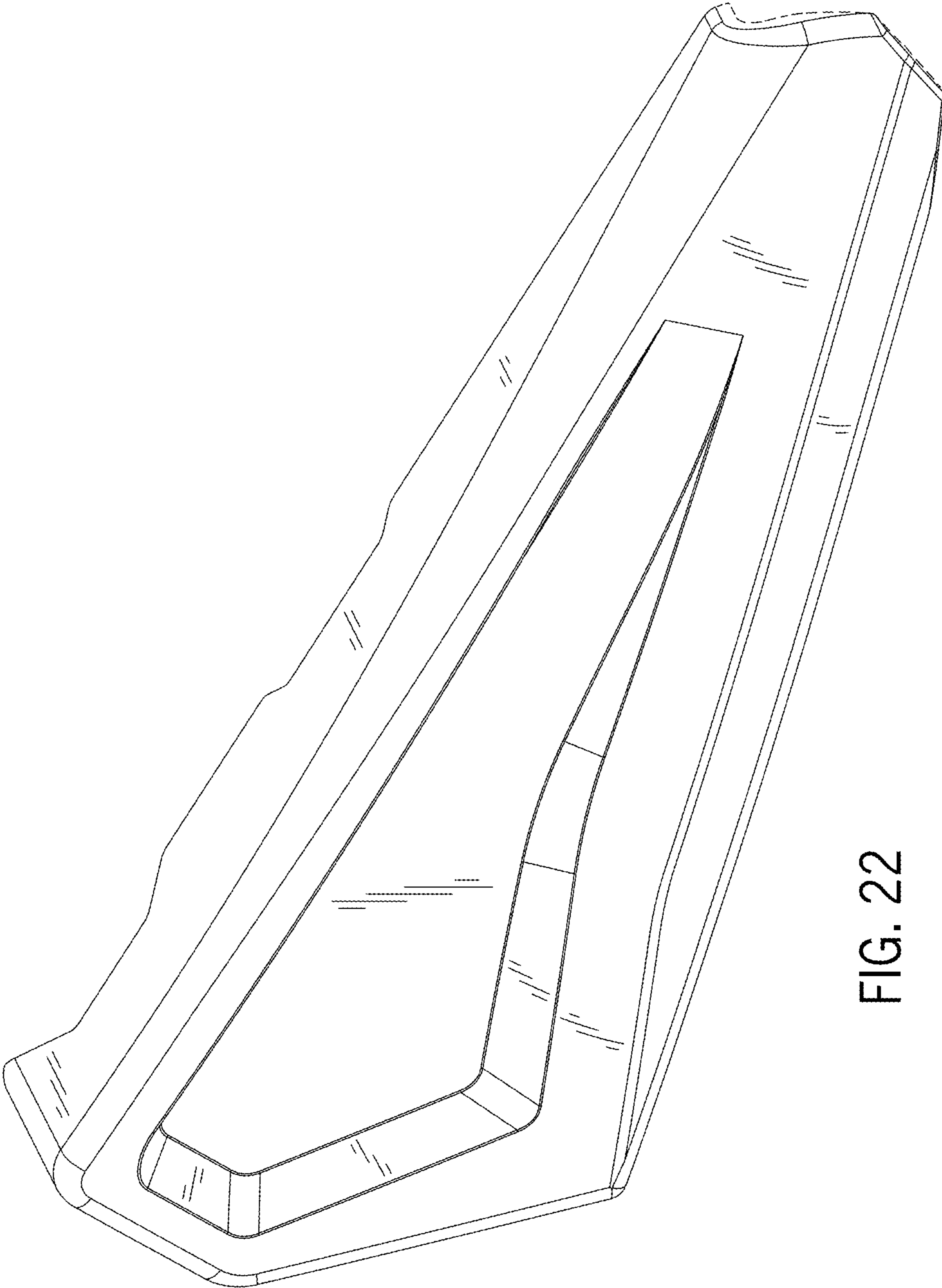


FIG. 22

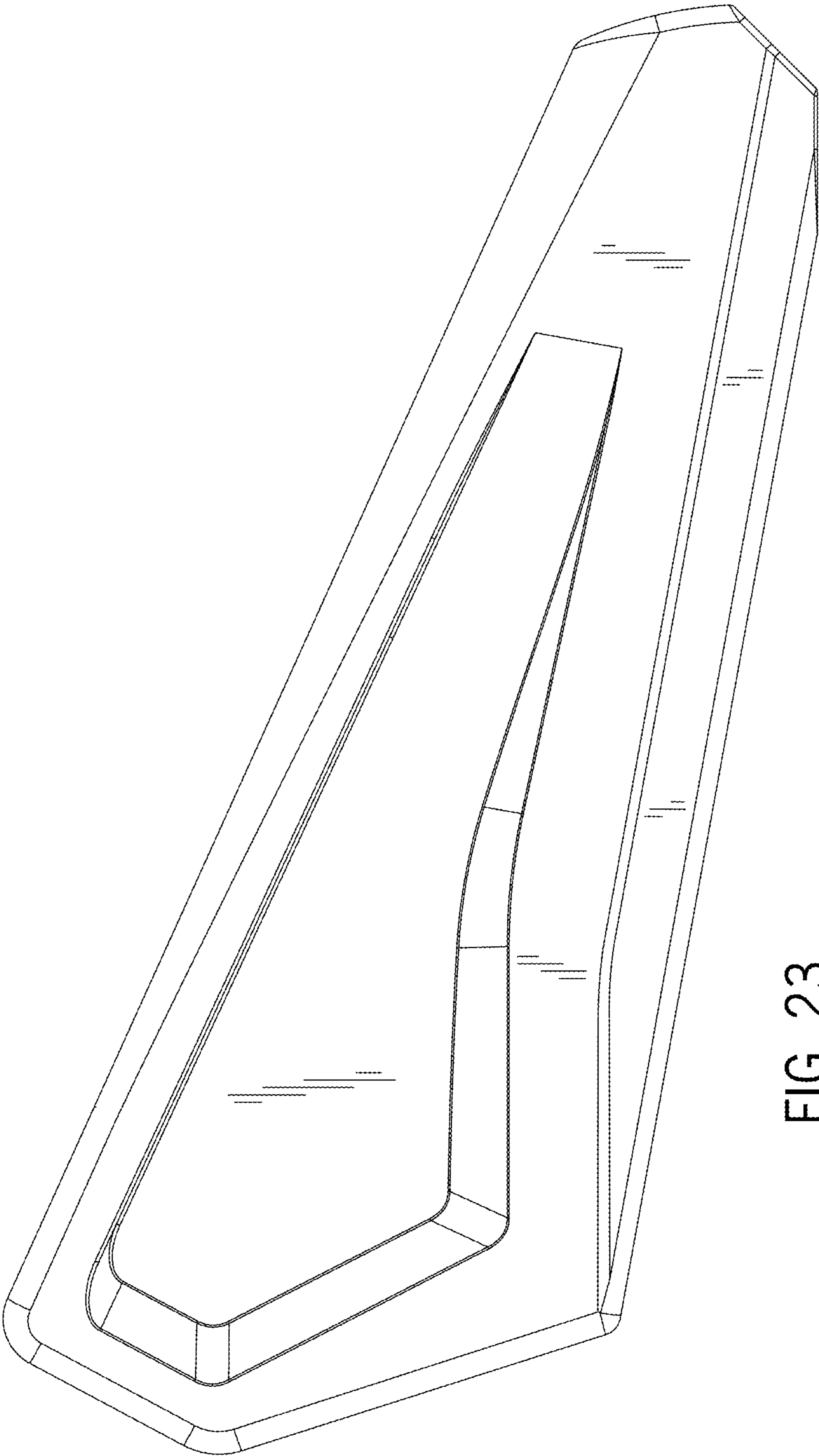


FIG. 23

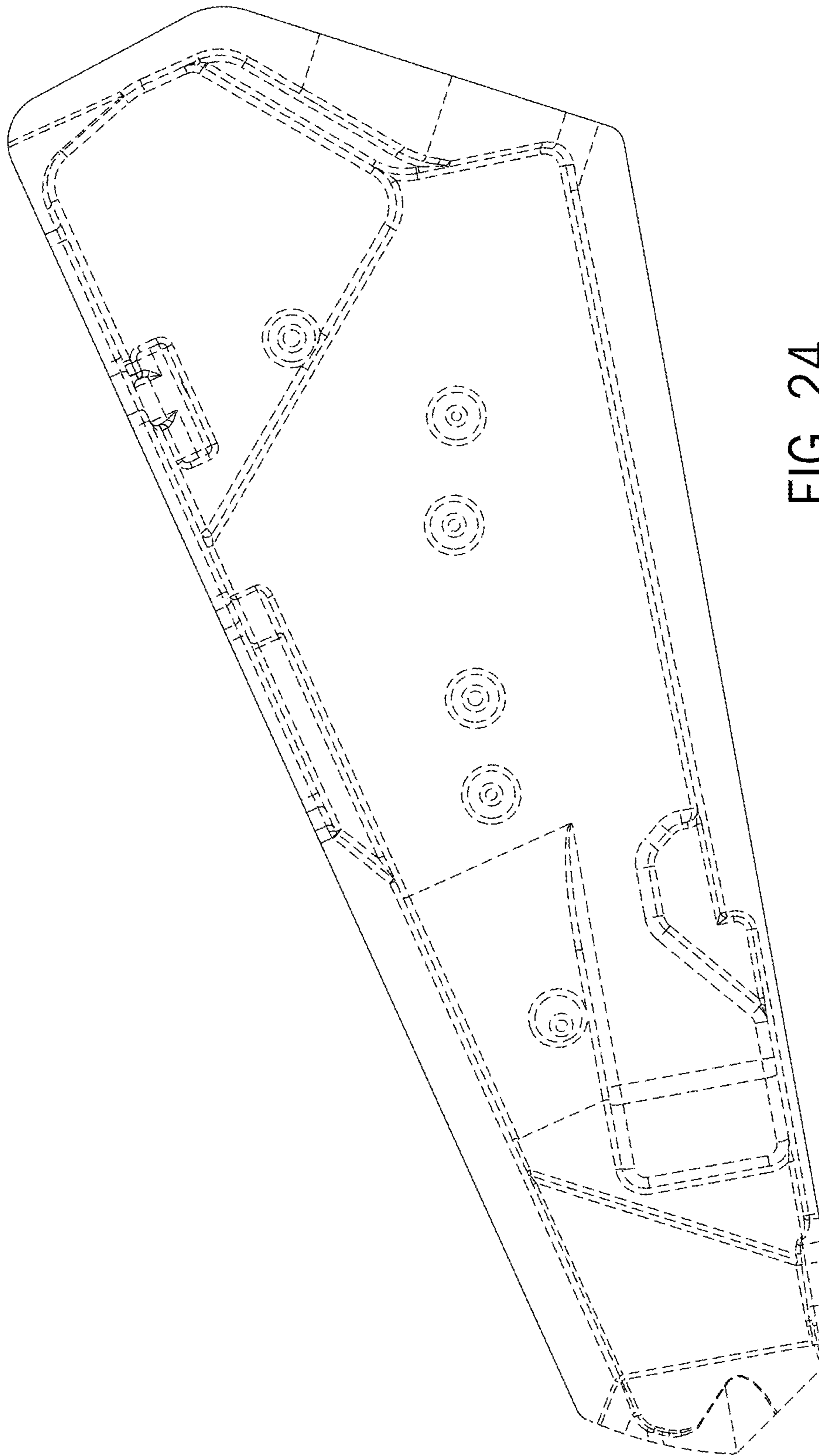


FIG. 24

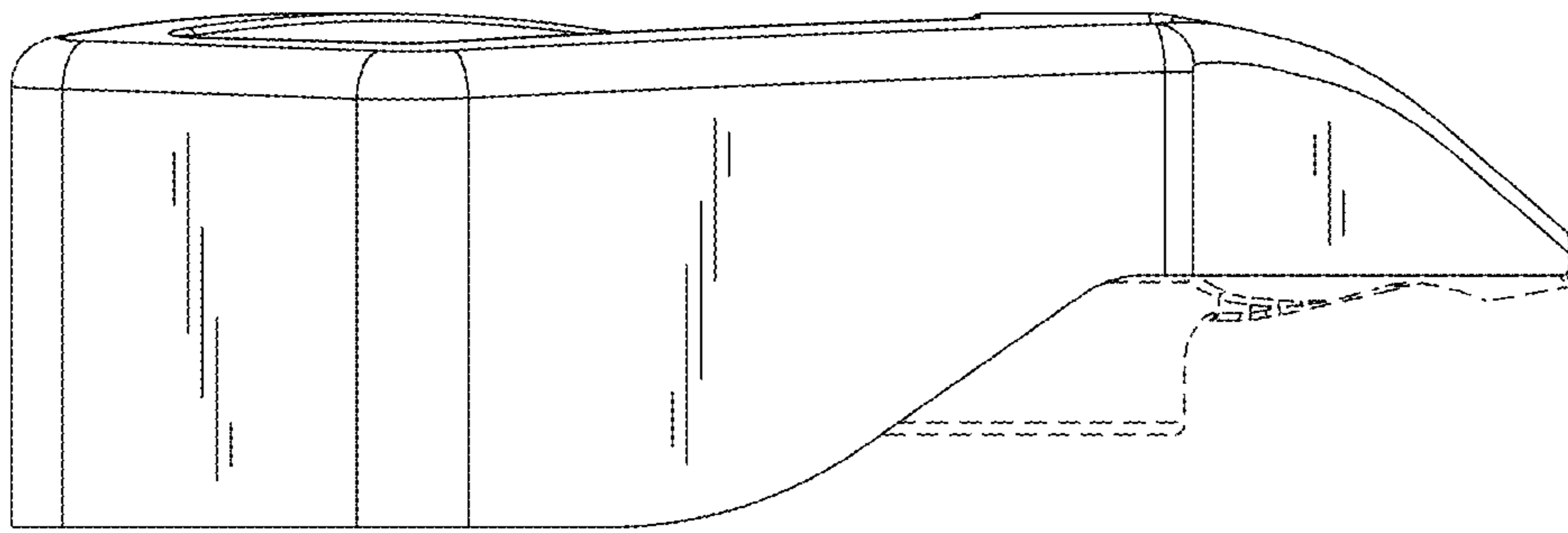


FIG. 26

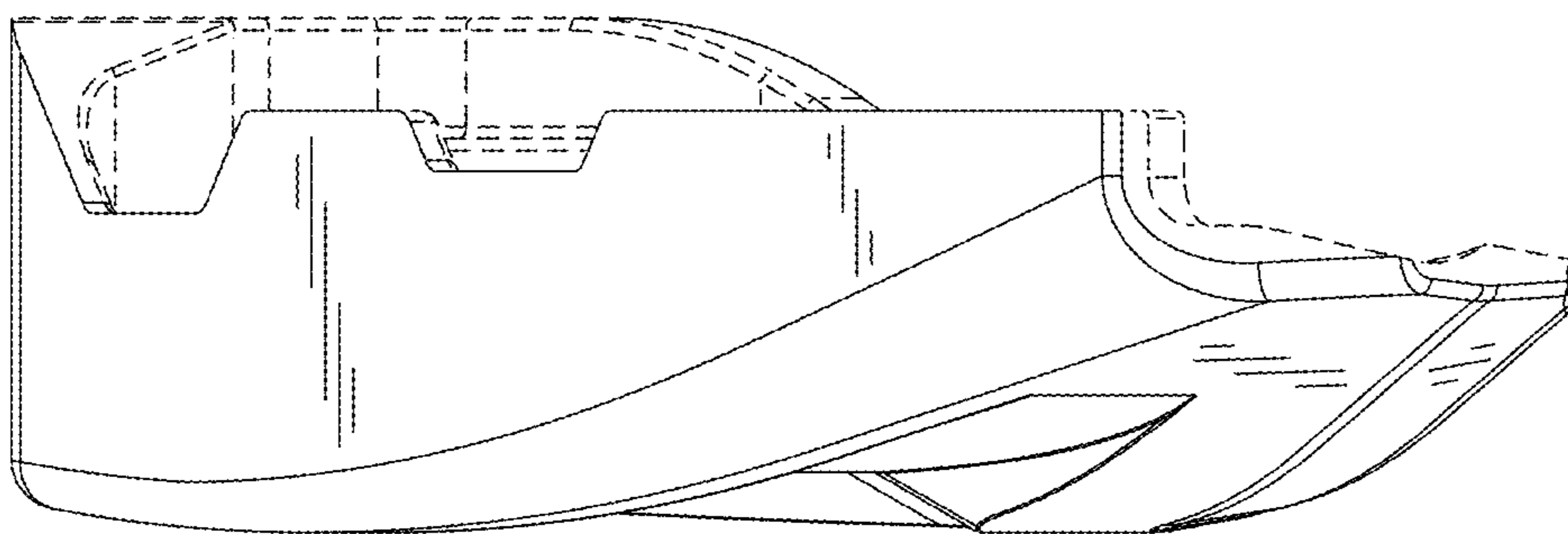


FIG. 25

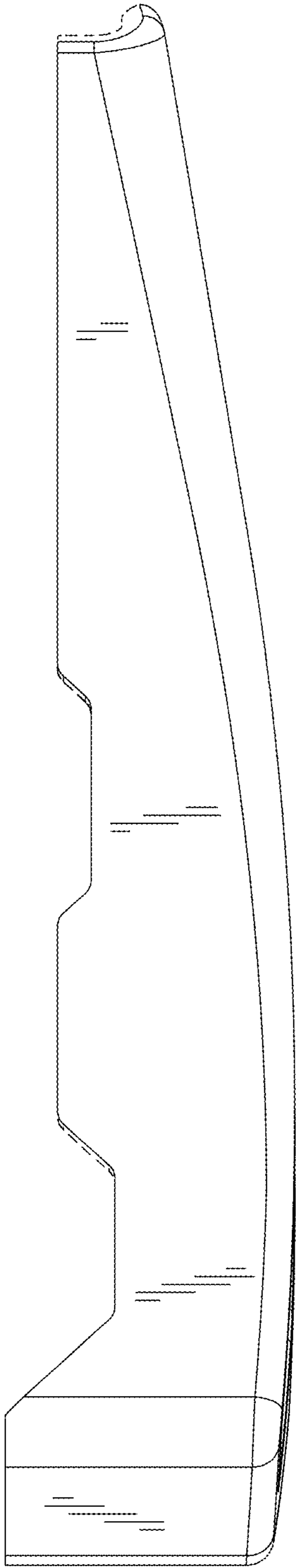


FIG. 27

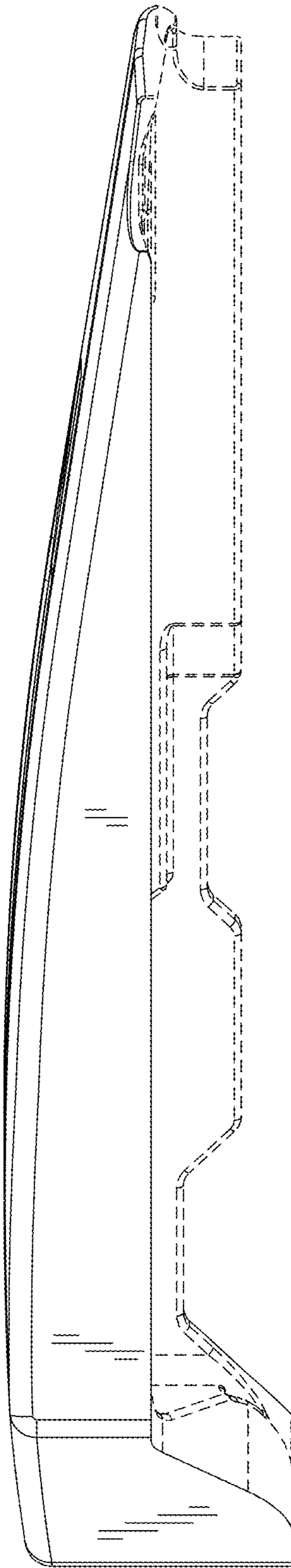


FIG. 28