



US00D929467S

(12) **United States Design Patent** (10) **Patent No.:** **US D929,467 S**
Römer et al. (45) **Date of Patent:** **** Aug. 31, 2021**

(54) **ROAD ROLLER**

(71) Applicant: **HAMM AG**, Tirschenreuth (DE)

(72) Inventors: **Axel Römer**, Tirschenreuth (DE);
Ulrich Ewringmann, Pöcking (DE);
Stefan Reber, Weiden (DE); **Markus**
Beese, Munich (DE); **Thomas Häring**,
Mähring (DE); **Gernot Reif**, Buckenhof
(DE); **Gerd Köstler**, Tirschenreuth
(DE)

(73) Assignee: **HAMM AG**, Tirschenreuth (DE)

(**) Term: **15 Years**

(21) Appl. No.: **29/779,911**

(22) Filed: **Apr. 21, 2021**

Related U.S. Application Data

(62) Division of application No. 29/707,222, filed on Sep. 26, 2019.

(30) **Foreign Application Priority Data**

Apr. 4, 2019 (EM) 006369245-0006

Apr. 4, 2019 (EM) 006369245-0007

(51) **LOC (13) Cl.** **15-03**

(52) **U.S. Cl.**
USPC **D15/20**

(58) **Field of Classification Search**

USPC D15/10, 20, 22-26, 28, 30, 33; 180/20,
180/89.12; 280/104, 124.11; 404/122,
404/132, 125, 90

CPC E02D 3/026; E02D 3/00; E02D 3/074;
B30B 15/00; E01C 19/27; E01C 19/41;
E01C 19/22; E01C 19/38; E01C 19/286;
E01C 19/4853; E01C 19/238

See application file for complete search history.

(56) **References Cited**

U.S. PATENT DOCUMENTS

D275,678 S *	9/1984	Mawhorr	D15/20
D396,431 S *	7/1998	Lindgren	D12/14
D500,329 S *	12/2004	Bauve	D15/28
D516,094 S *	2/2006	Dotsch	D15/20
D589,067 S *	3/2009	Yamamoto	D15/20
D602,506 S *	10/2009	Marsolek	D15/30
D611,505 S *	3/2010	Loew	D15/20
D611,506 S *	3/2010	Loew	D15/20
D668,269 S *	10/2012	Tezuka	D15/20
D694,278 S *	11/2013	Ewringmann	D15/20
D694,279 S *	11/2013	Ewringmann	D15/20
D744,543 S *	12/2015	Loew	D15/20
D745,063 S *	12/2015	Loew	D15/20
D749,143 S *	2/2016	Erdmann	D15/20

(Continued)

Primary Examiner — Mark A Goodwin

(74) *Attorney, Agent, or Firm* — Greer, Burns & Crain, Ltd.

(57) **CLAIM**

The ornamental design for the road roller, as shown and described.

DESCRIPTION

FIG. 1 is a top front perspective view of a road roller showing our new design;

FIG. 2 is a top rear perspective view of the road roller of FIG. 1;

FIG. 3 is a front view of same;

FIG. 4 is a rear view of the road roller of FIG. 1;

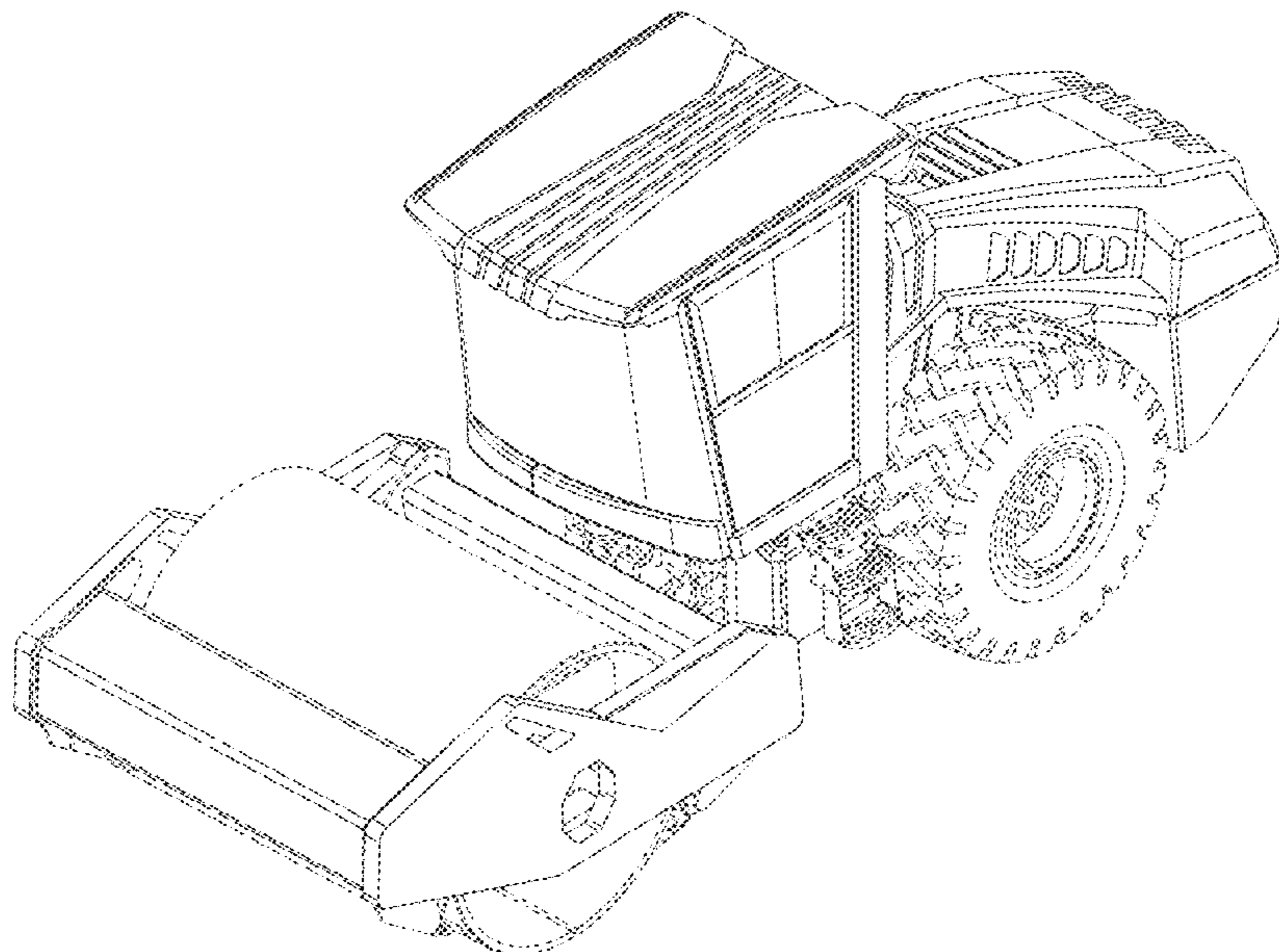
FIG. 5 is a left side view of the road roller of FIG. 1;

FIG. 6 is a right side view of same; and,

FIG. 7 is a top view of the road roller of FIG. 1.

The subject matter depicted in broken lines depicts portions of the present road roller that are not part of the claimed invention and are shown for environment purposes only.

1 Claim, 7 Drawing Sheets



(56)

References Cited

U.S. PATENT DOCUMENTS

D765,735 S *	9/2016	Roemer	D15/20
D772,781 S *	11/2016	Romer	D12/401
D775,238 S *	12/2016	Roemer	D15/28
D789,424 S *	6/2017	Roemer	D15/20
D796,557 S *	9/2017	Loew	D15/20
D799,557 S *	10/2017	Renz	D15/20
D799,558 S *	10/2017	Renz	D15/20
D799,559 S *	10/2017	Renz	D15/20
D800,792 S *	10/2017	Loew	D15/20
D800,793 S *	10/2017	Loew	D15/20
D800,794 S *	10/2017	Loew	D15/20
D800,795 S *	10/2017	Loew	D15/20
D819,704 S *	6/2018	Loew	D15/20
D849,802 S *	5/2019	Loew	D15/31
D853,450 S *	7/2019	Loew	D15/20
D853,451 S *	7/2019	Loew	D15/20

* cited by examiner

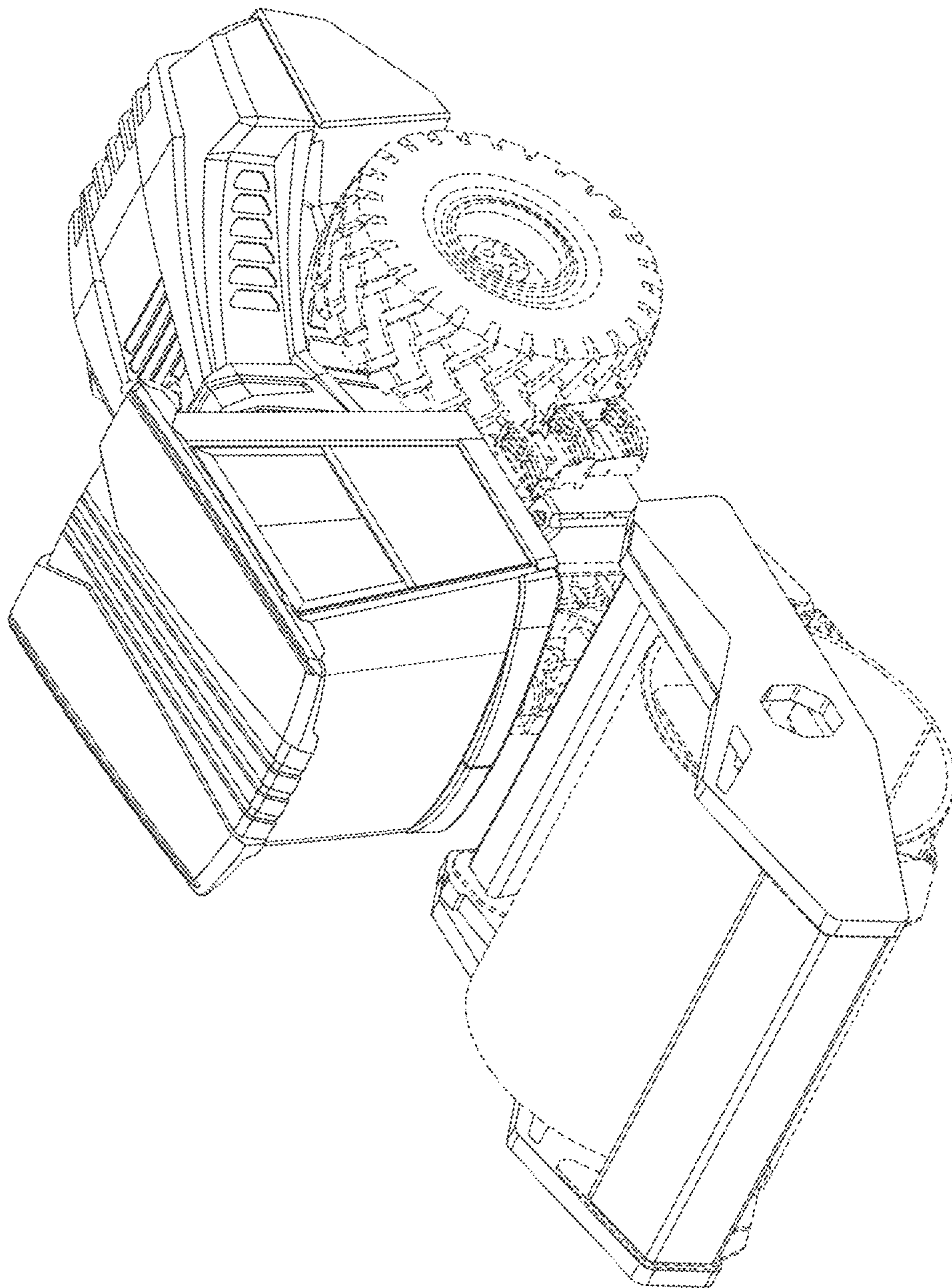


FIG. 1

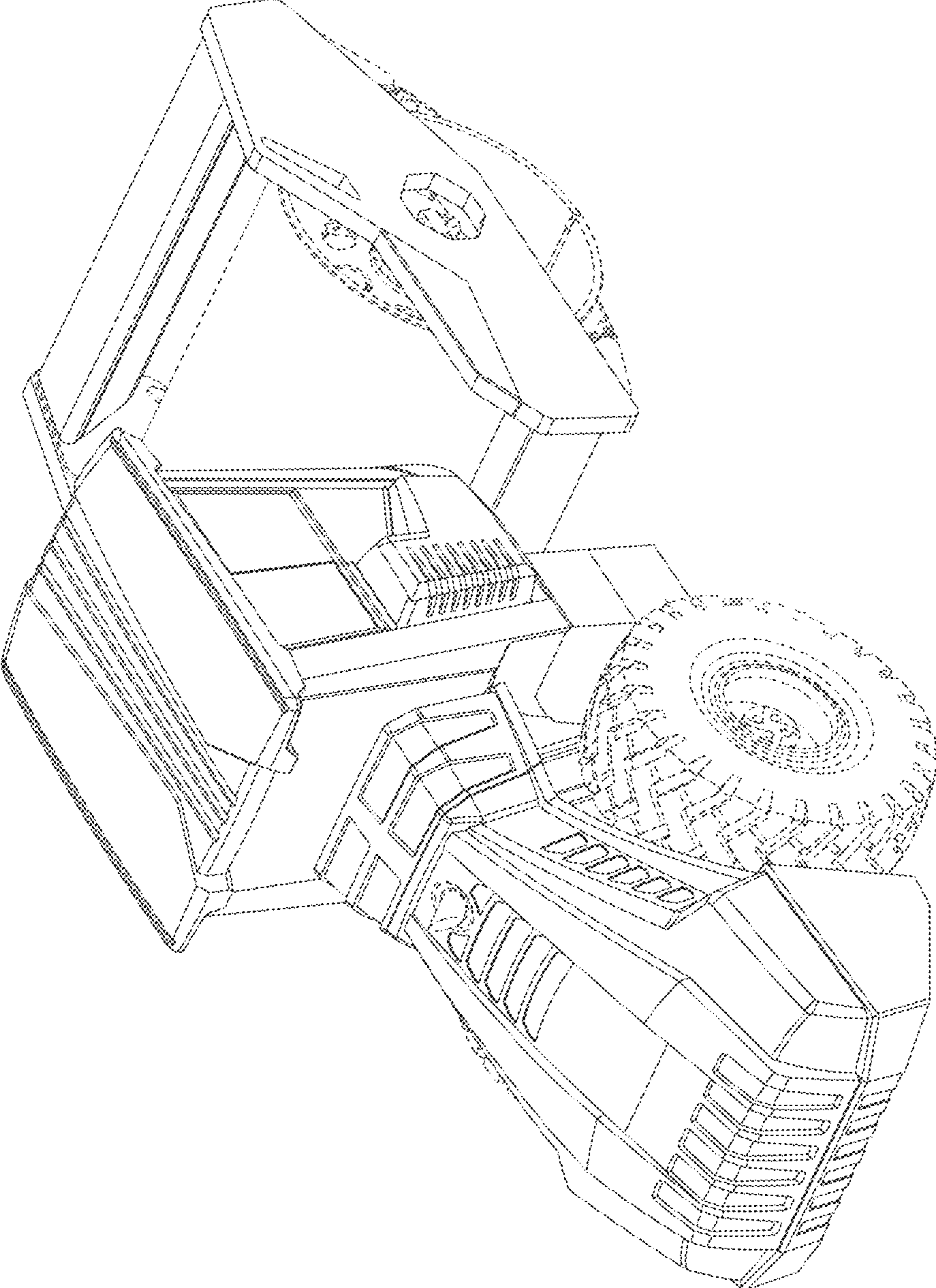


FIG. 2

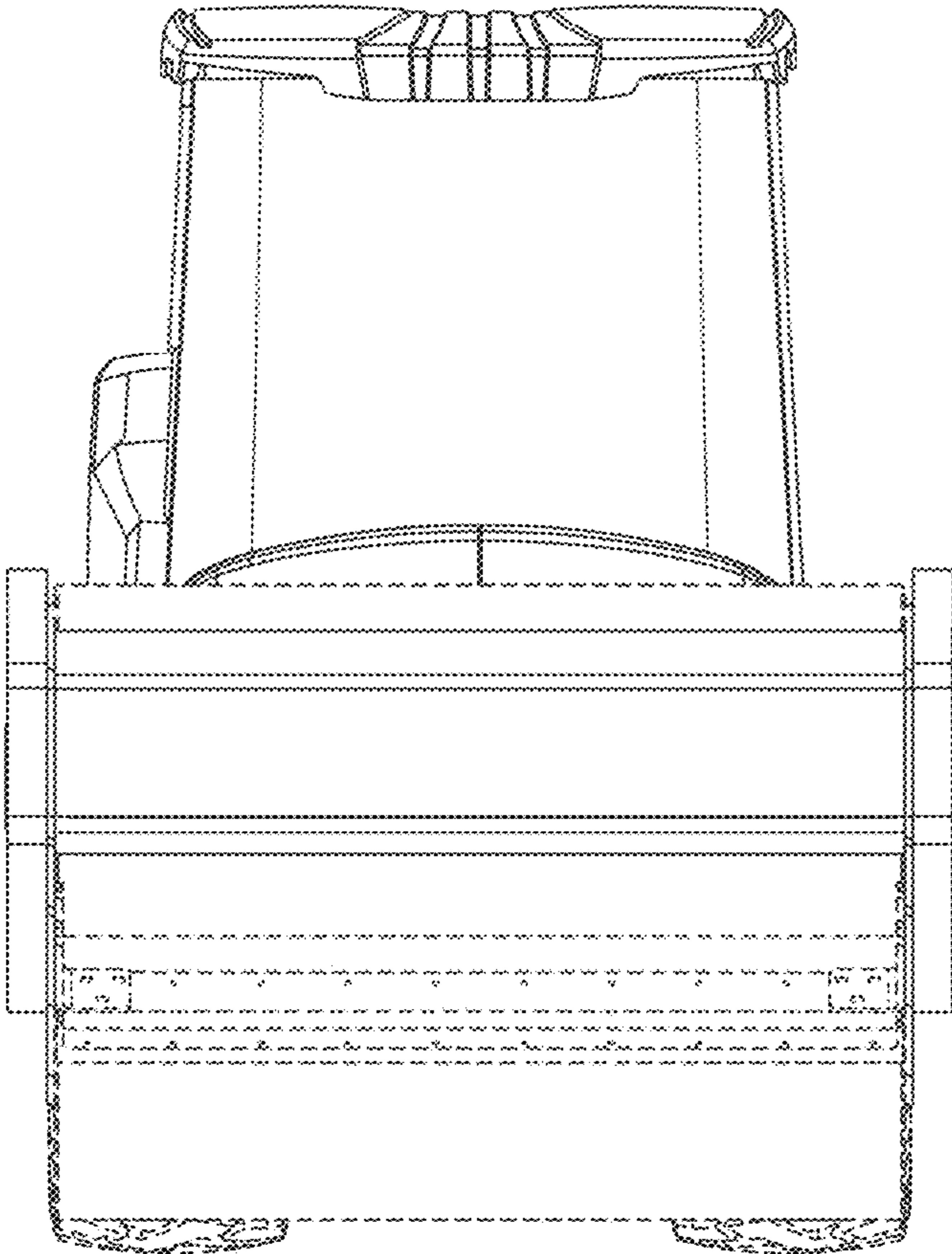


FIG. 3

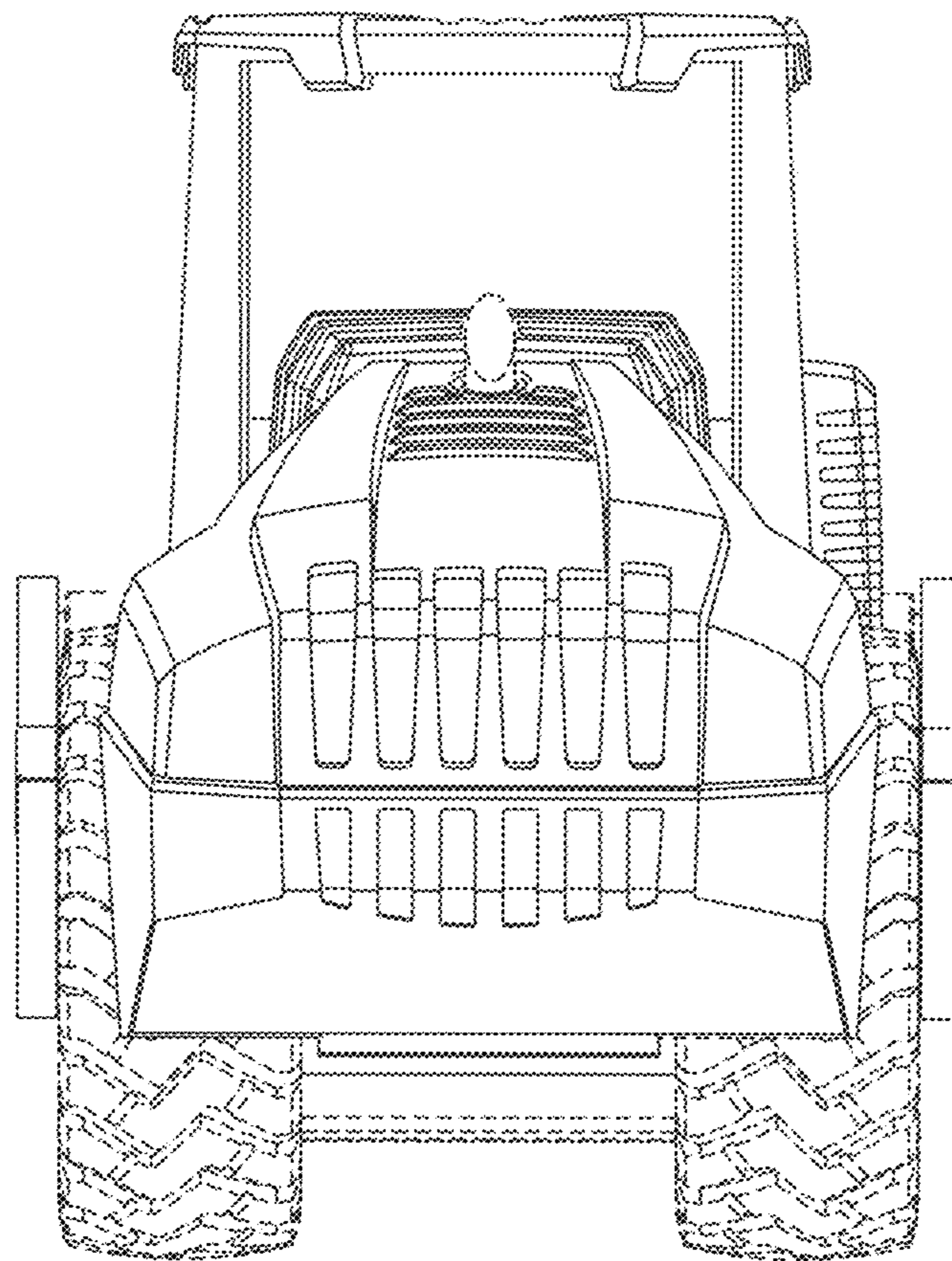


FIG. 4

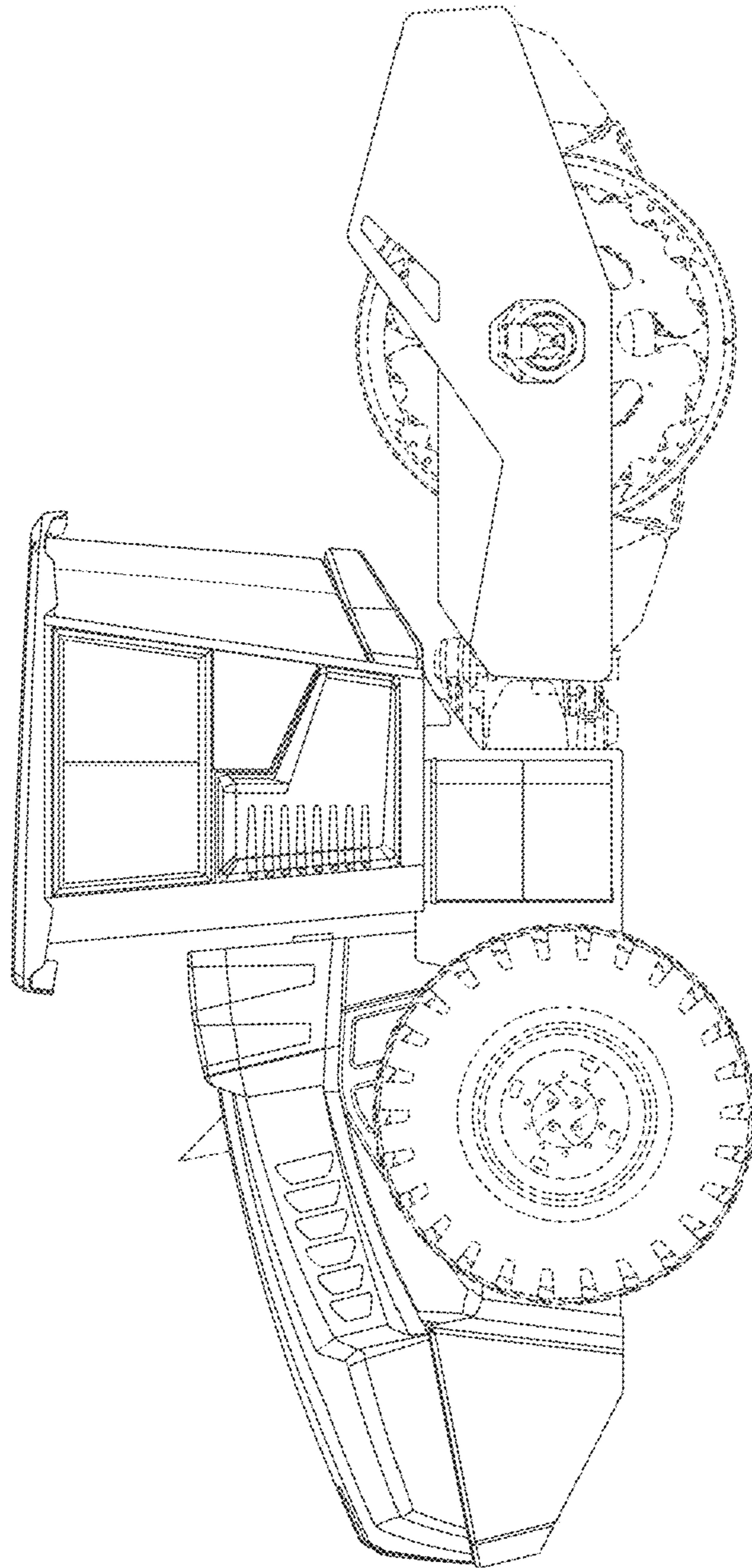


FIG. 5

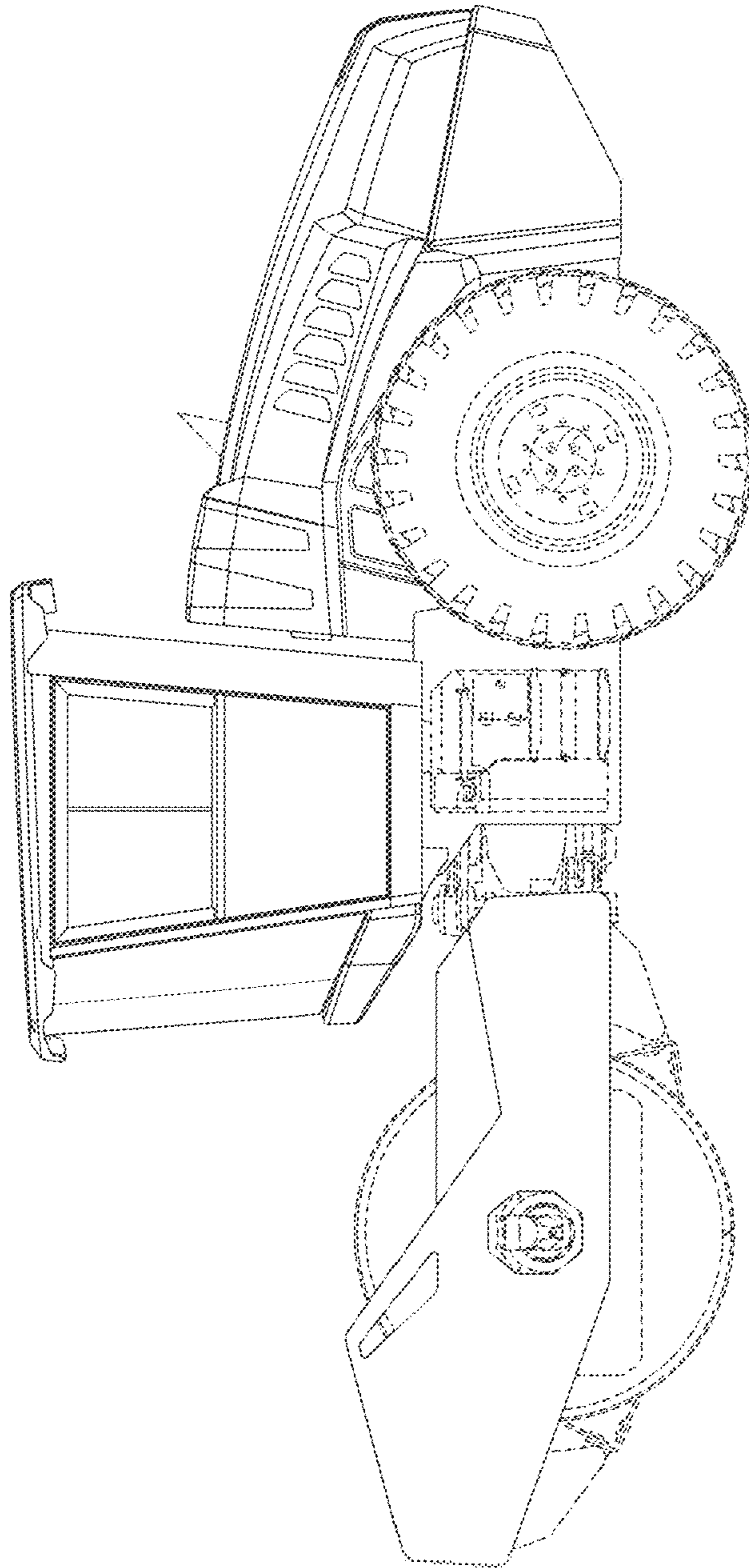


FIG. 6

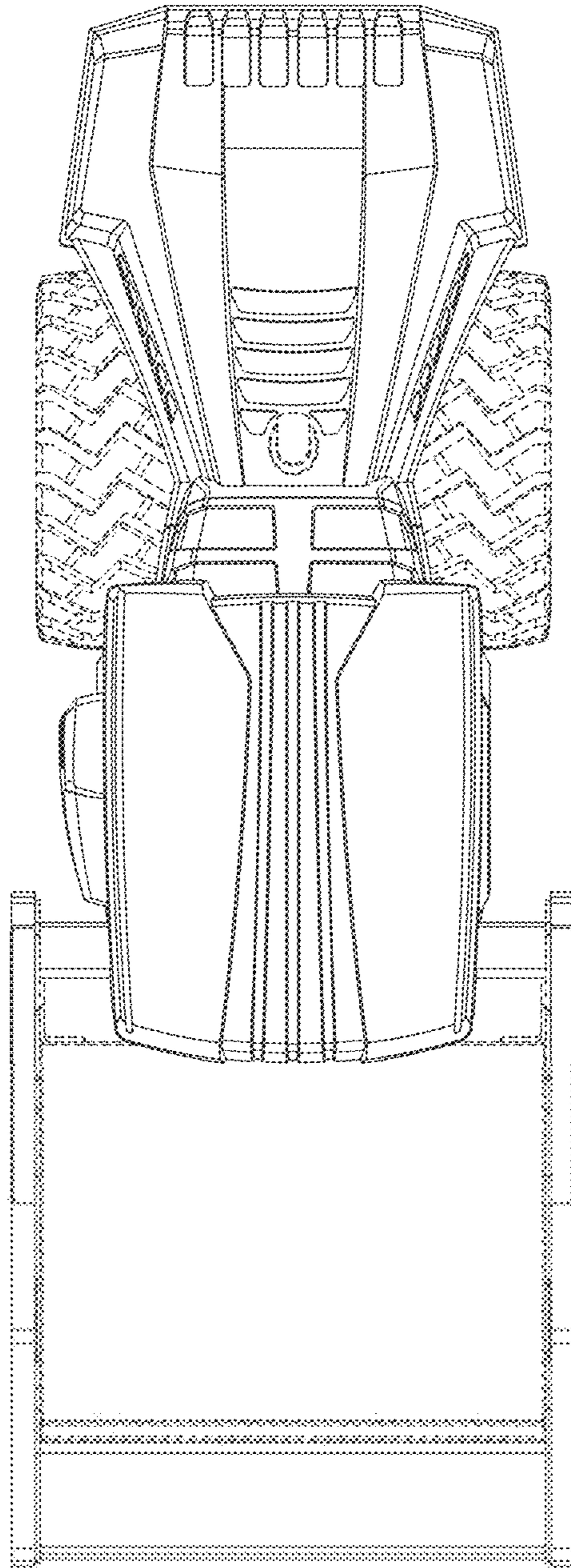


FIG. 7