



US00D929466S

(12) **United States Design Patent** (10) **Patent No.:** **US D929,466 S**  
**Wegner** (45) **Date of Patent:** **\*\* Aug. 31, 2021**

(54) **GEAR CASING**

CPC ..... F02M 37/04; F02M 37/14; F04D 29/4286  
See application file for complete search history.

(71) Applicant: **MAN Energy Solutions SE**, Augsburg (DE)

(56) **References Cited**

(72) Inventor: **Hanno Wegner**, Berlin (DE)

U.S. PATENT DOCUMENTS

(73) Assignee: **MAN ENERGY SOLUTIONS SE**, Augsburg (DE)

D604,330 S 11/2009 Duong  
8,790,077 B2 \* 7/2014 Burgess ..... F04D 29/06  
415/127

(\*\*) Term: **15 Years**

D751,122 S 3/2016 Huth  
9,739,285 B2 \* 8/2017 Kosmicki ..... F04D 29/622

(21) Appl. No.: **29/664,119**

D836,676 S \* 12/2018 Geldenhuys ..... D15/7

(22) Filed: **Sep. 21, 2018**

D842,342 S \* 3/2019 Wegner ..... D15/9

D842,904 S \* 3/2019 Geldenhuys ..... D15/7

10,260,517 B2 \* 4/2019 Juarez Ortega ..... F04D 29/086  
2011/0142599 A1 6/2011 Burgess

\* cited by examiner

**Related U.S. Application Data**

(62) Division of application No. 35/502,259, filed on Nov. 30, 2016 (U.S. filing date under 35 U.S.C. 384), and having an international filing date of Nov. 30, 2016, now Pat. No. Des. 842,342.

*Primary Examiner* — Richard E Chilcot

(74) *Attorney, Agent, or Firm* — Cozen O'Connor

(30) **Foreign Application Priority Data**

Jun. 2, 2016 (DE) ..... 40 2016 000 767.7-01-04

(57) **CLAIM**

The ornamental design for a gear casing, as shown and described.

(51) **LOC (13) Cl.** ..... **15-02**

(52) **U.S. Cl.**  
USPC ..... **D15/9**  
CPC ..... **F02M 37/04** (2013.01)

**DESCRIPTION**

FIG. 1 is a right perspective view of a gear casing;  
FIG. 2 is a left elevation view thereof;  
FIG. 3 is a front elevation view;  
FIG. 4 is a rear elevation view;  
FIG. 5 is another right perspective view thereof; and,  
FIG. 6 is a right elevation view.

(58) **Field of Classification Search**  
USPC ..... D15/7-9; D23/225, 231, 232; 417/235,  
417/265, 321, 355, 358, 363, 359, 410.1,  
417/415-416, 405, 900

**1 Claim, 6 Drawing Sheets**

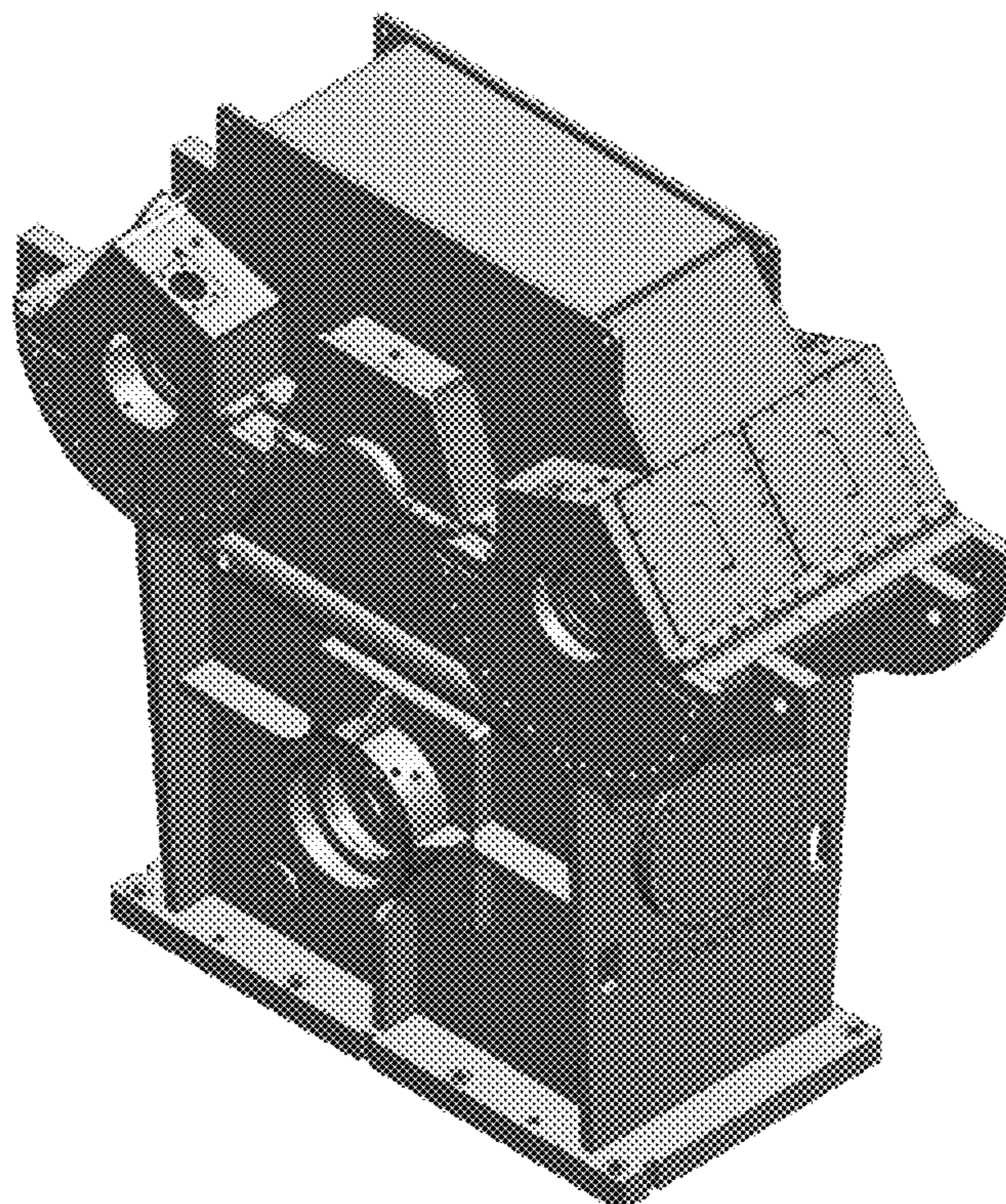


FIG. 1

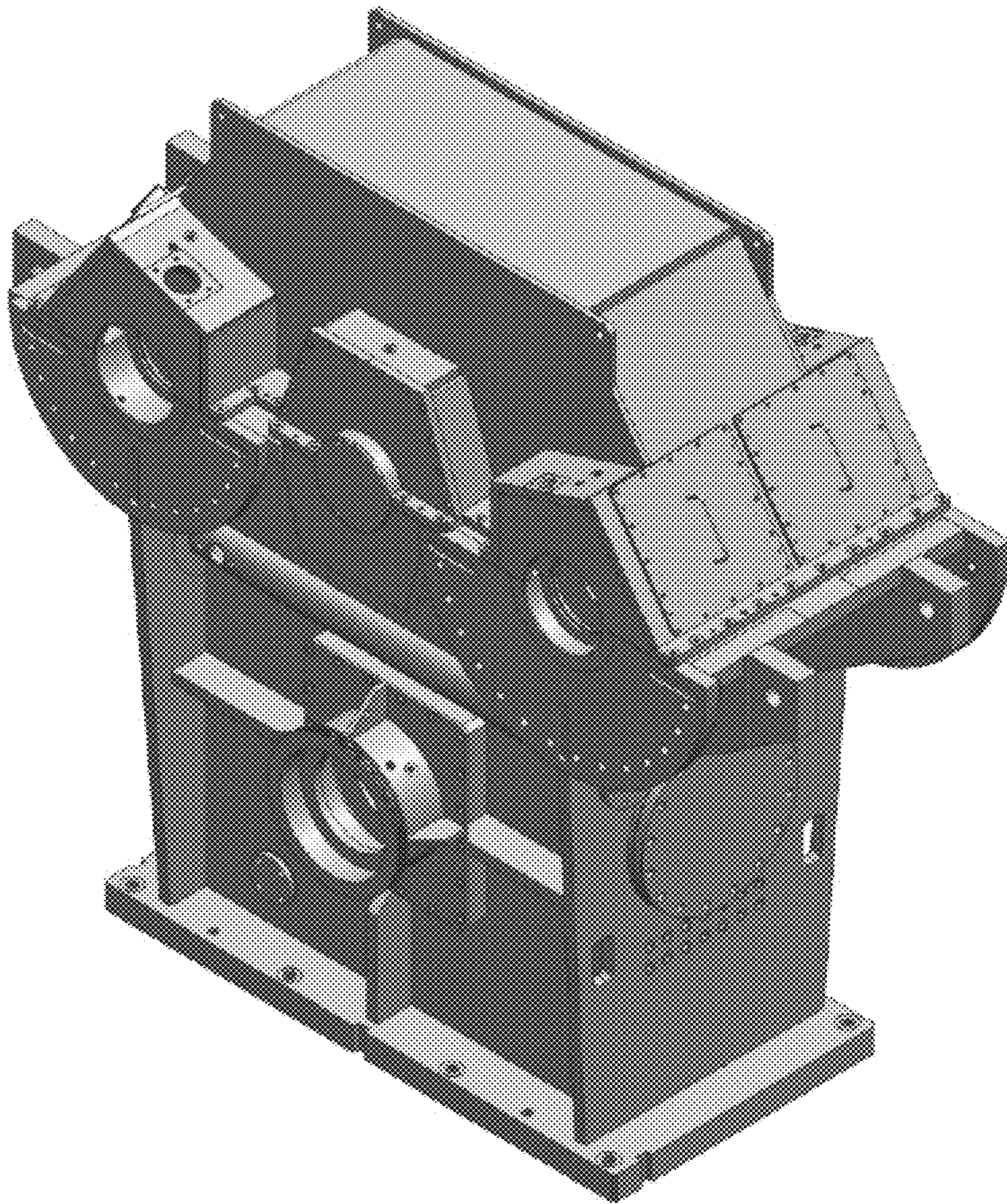


FIG. 2

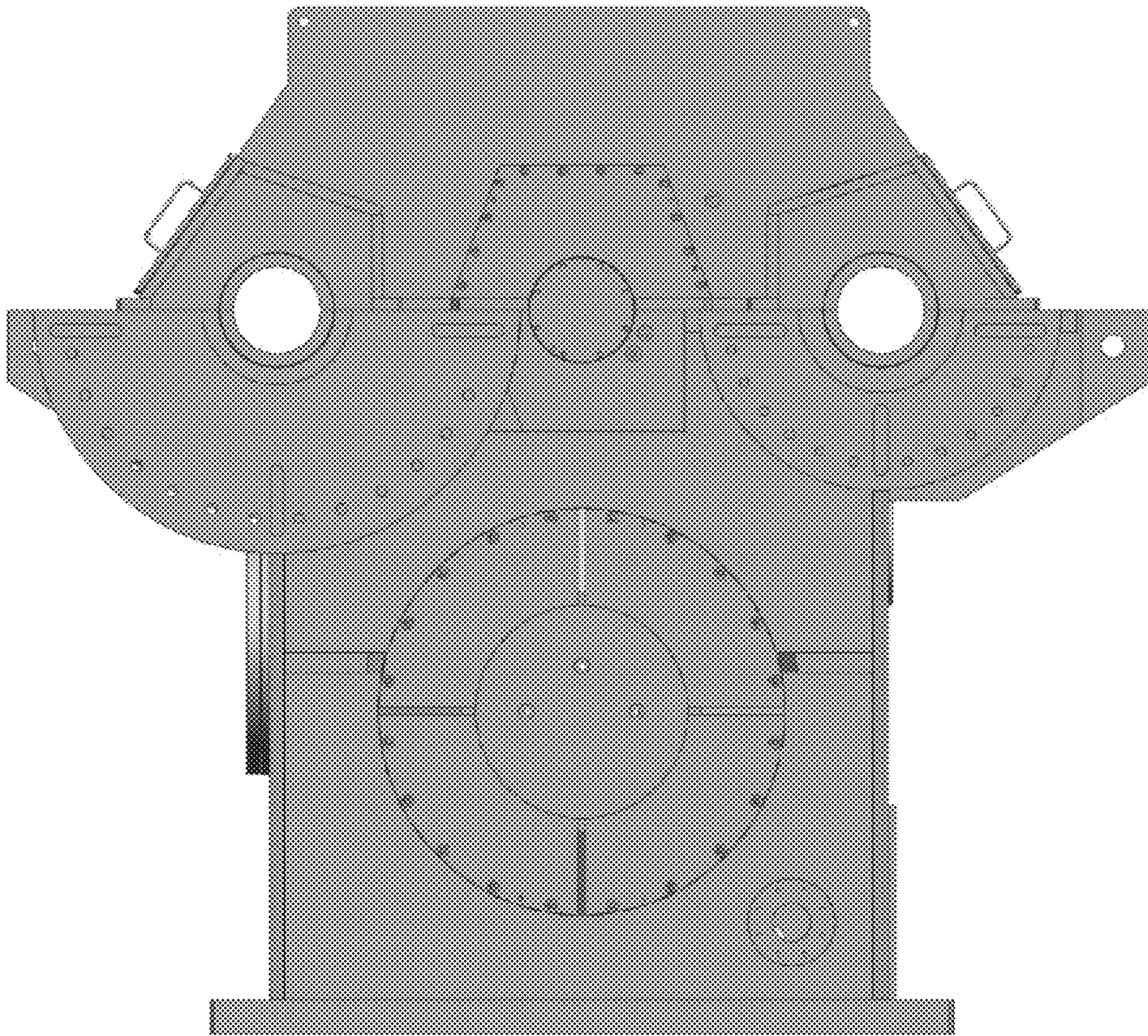


FIG. 3

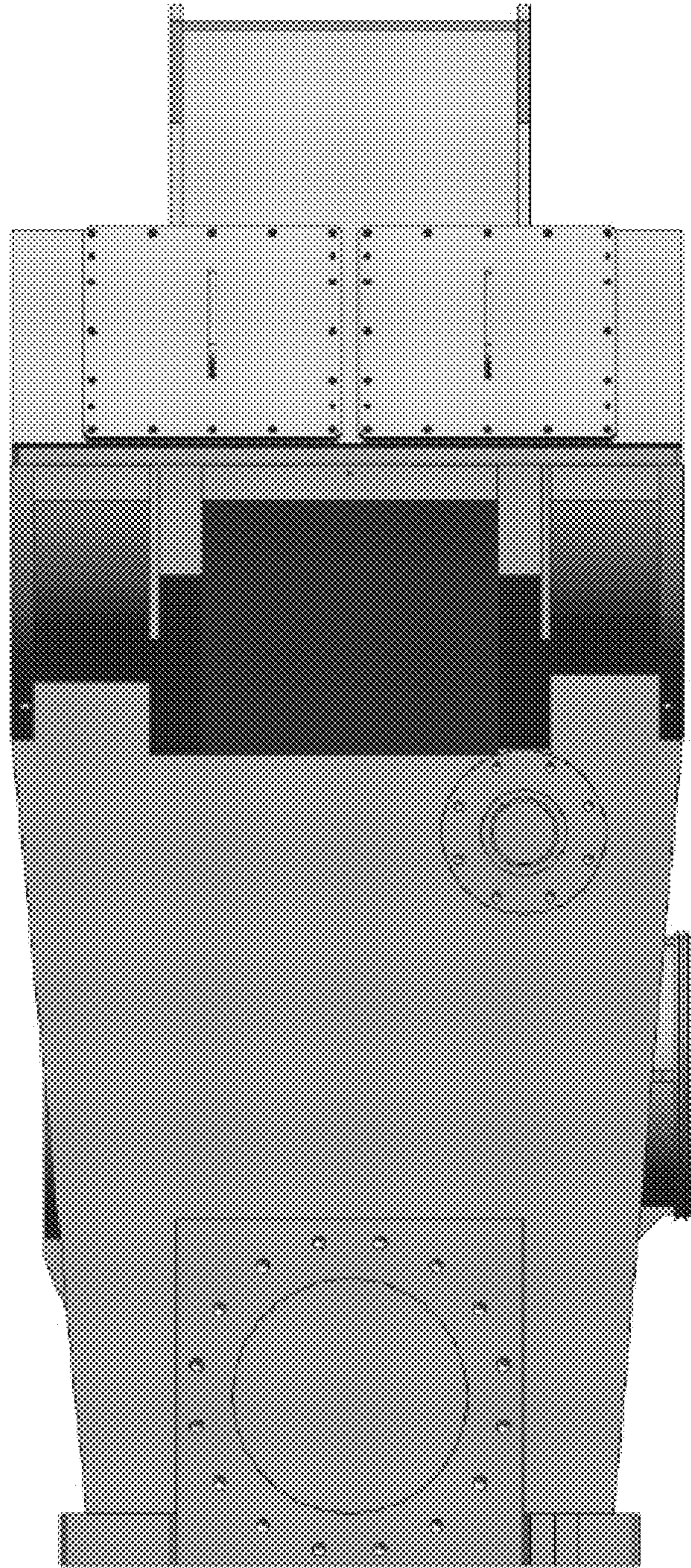


FIG. 4

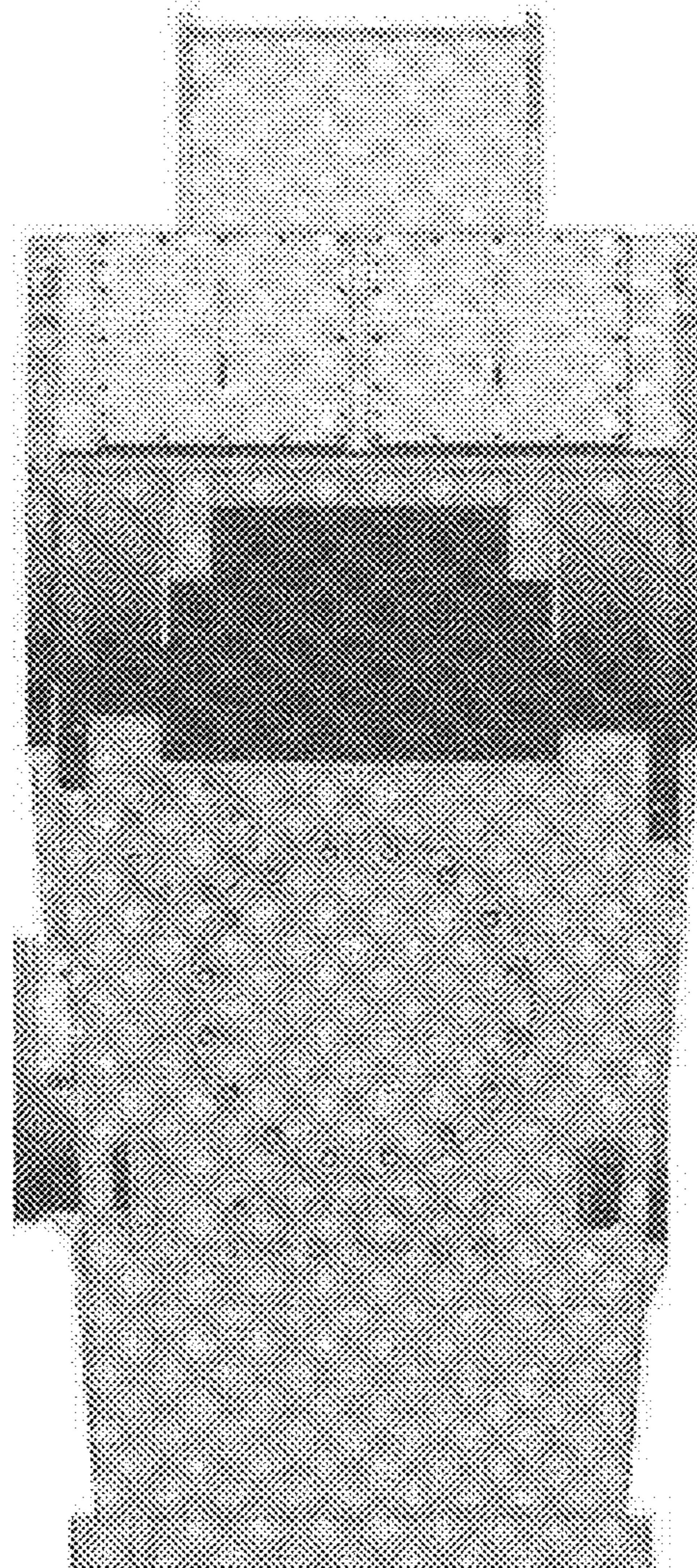


FIG. 5

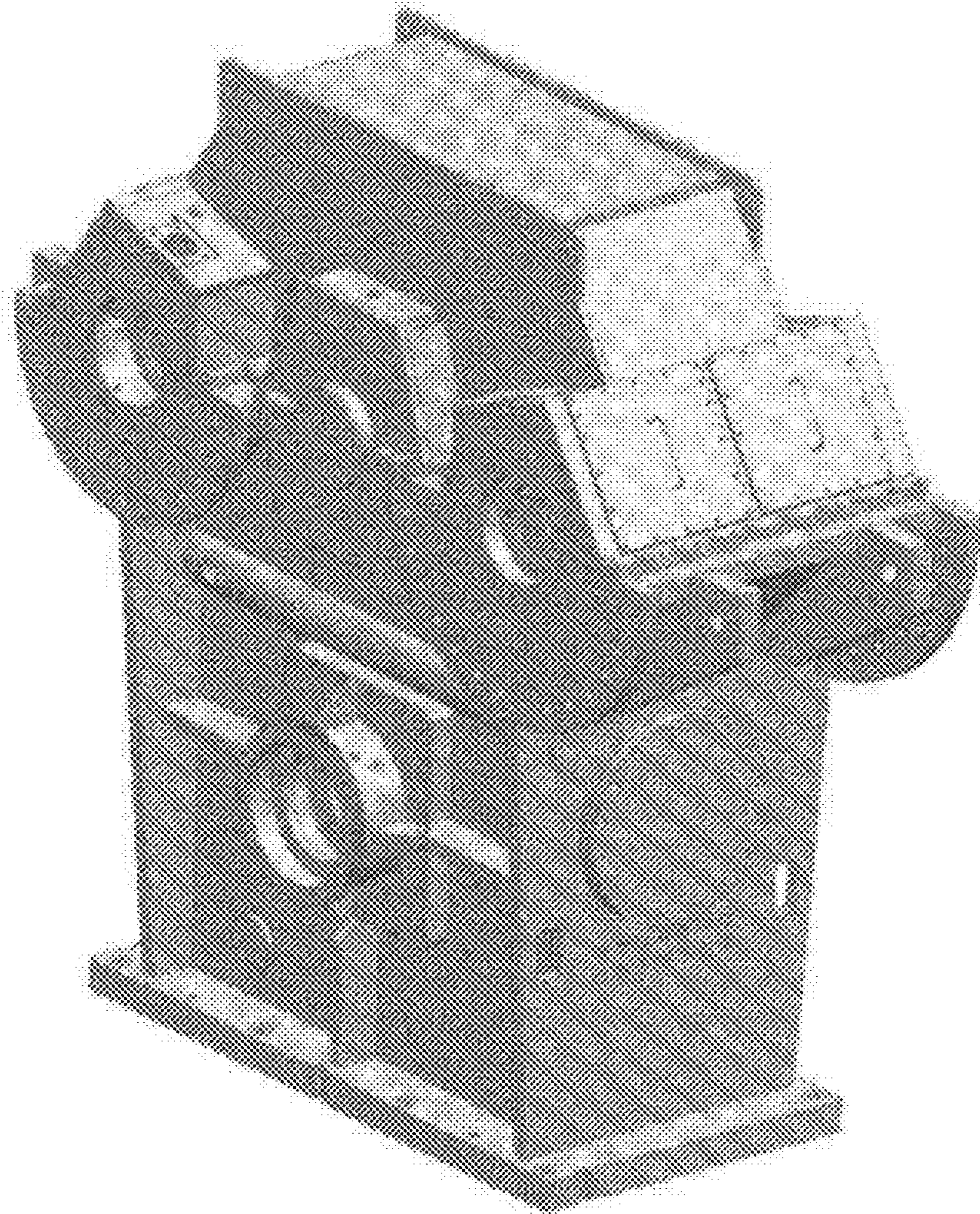


FIG. 6

