



US00D929464S

(12) **United States Design Patent** (10) **Patent No.:** **US D929,464 S**
Palkic et al. (45) **Date of Patent:** **** Aug. 31, 2021**

(54) **PUMP ADAPTER**

- (71) Applicant: **Holley Performance Products, Inc.**,
Bowling Green, KY (US)
- (72) Inventors: **Darko Palkic**, Bowling Green, KY
(US); **Timothy A. Grillot**, Alvaton, KY
(US)
- (73) Assignee: **Holley Performance Products, Inc.**,
Bowling Green, KY (US)
- (**) Term: **15 Years**
- (21) Appl. No.: **29/710,142**
- (22) Filed: **Oct. 21, 2019**

Related U.S. Application Data

- (62) Division of application No. 29/662,532, filed on Sep. 6, 2018, now Pat. No. Des. 892,865.
- (51) **LOC (13) Cl.** **15-02**
- (52) **U.S. Cl.**
USPC **D15/7**
- (58) **Field of Classification Search**
USPC D15/7-9
CPC F02M 37/04; F02M 37/14
See application file for complete search history.

(56) **References Cited**

U.S. PATENT DOCUMENTS

- D348,513 S * 7/1994 Bale D24/109
D529,515 S * 10/2006 DeGroot D15/7
7,533,661 B2 5/2009 Baasch et al.
D716,674 S * 11/2014 Herzl D10/53
D716,675 S * 11/2014 Herzl D10/53

(Continued)

FOREIGN PATENT DOCUMENTS

- AU 201910220 3/2019
AU 201911579 4/2019
AU 201911581 4/2019

OTHER PUBLICATIONS

Design U.S. Appl. No. 29/597,917 entitled "Adapter" filed Mar. 21, 2017.

(Continued)

Primary Examiner — Mitchell I. Siegel
(74) *Attorney, Agent, or Firm* — Middleton Reutlinger

(57) **CLAIM**

The ornamental design for the pump adapter, as shown and described.

DESCRIPTION

Cross-reference is made to U.S. Non-Provisional patent application Ser. No. 16/553,619, titled "Pump Adapter", filed on Aug. 28, 2019, all of which is expressly incorporated herein by reference.

FIG. 1 is a perspective view of a pump adapter shown with a clamp shown in broken line;

FIG. 2 is a perspective view of the pump adapter shown without the unclaimed clamp;

FIG. 3 is a lower perspective view of the pump adapter of FIG. 1;

FIG. 4 is a side elevational view of the pump adapter of FIG. 2;

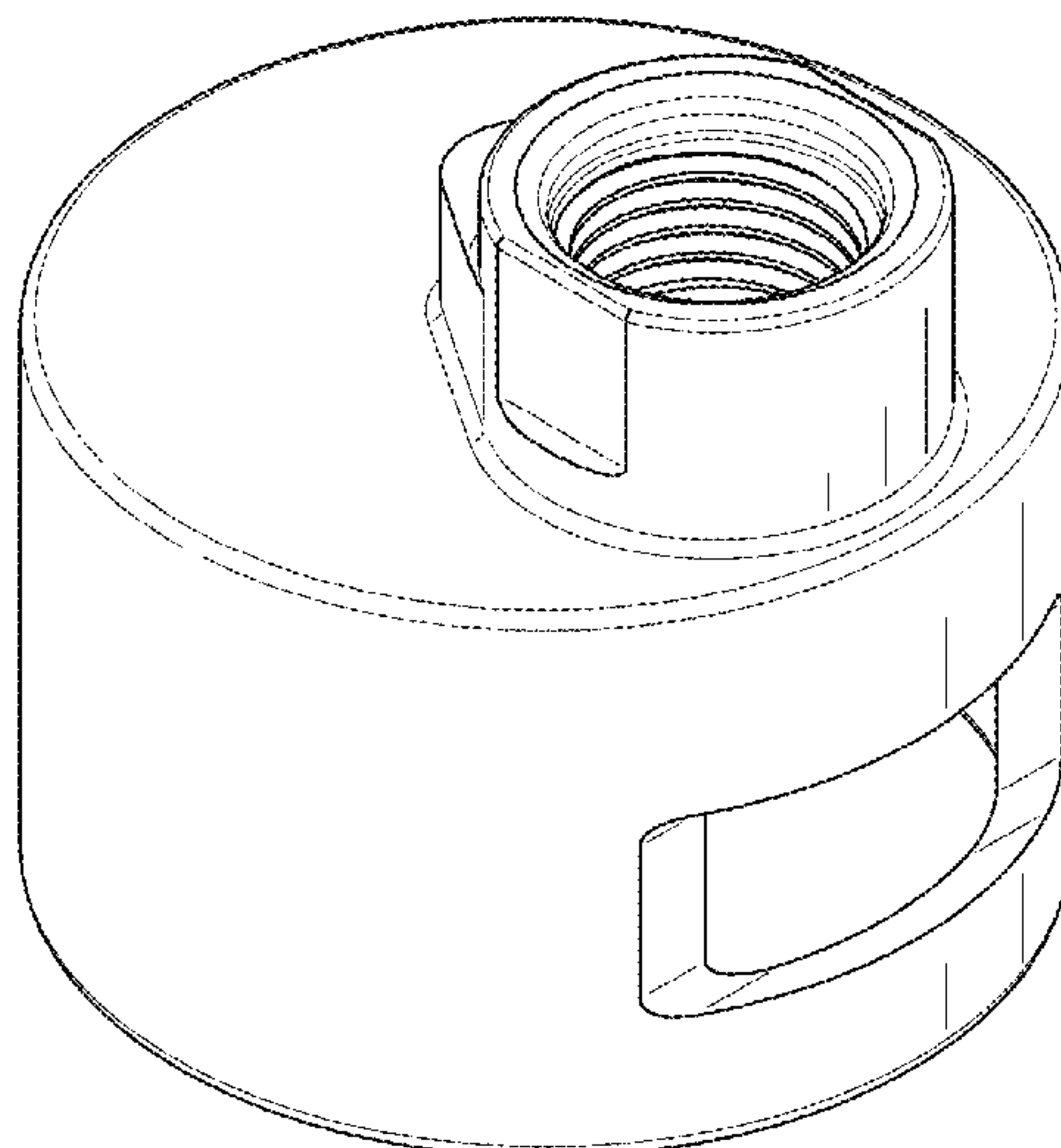
FIG. 5 is an opposite side elevational view of the pump adapter of FIG. 2;

FIG. 6 is a front elevational view of the pump adapter of FIG. 2;

FIG. 7 is a rear elevational view of the pump adapter of FIG. 2;

FIG. 8 is a top plan view of the pump adapter of FIG. 2; and, FIG. 9 is a bottom plan view of the pump adapter of FIG. 2. The broken lines shown on the drawings form no part of the claimed design.

1 Claim, 9 Drawing Sheets



(56)

References Cited

U.S. PATENT DOCUMENTS

D717,182 S * 11/2014 Herzl D10/53
D720,449 S * 12/2014 Galbraith D24/111
D728,388 S * 5/2015 Robey D10/53
D892,865 S * 8/2020 Palkic D15/7

OTHER PUBLICATIONS

U.S. Appl. No. 62/727,716 entitled "Pump Adapter" filed Sep. 6, 2018.

Design U.S. Appl. No. 29/658,294 entitled "Adapter" filed Jul. 30, 2018.

Utility U.S. Appl. No. 16/553,619 entitled "Pump Adapter" filed Aug. 28, 2019.

U.S. Appl. No. 62/872,520 entitled "Air Filter Adapter" filed Jul. 10, 2019.

Radium Engineering, 20-0145 Fuel Pump Inlet Adapter Installation Instructions, Sep. 21, 2018 [publication date retrieved from Internet Wayback Machine on Oct. 8, 2019].

www.efihardware.com, Walbro in Tank Fuel Pump Extension Kit, Mar. 31, 2015 [publication date retrieve from Internet Wayback Machine on Oct. 8, 2019].

Design U.S. Appl. No. 29/662,532 entitled "Pump Adapter" filed Sep. 6, 2018.

U.S. Appl. No. 29/710,141, filed Oct. 21, 2019 titled Pump Adapter.

* cited by examiner

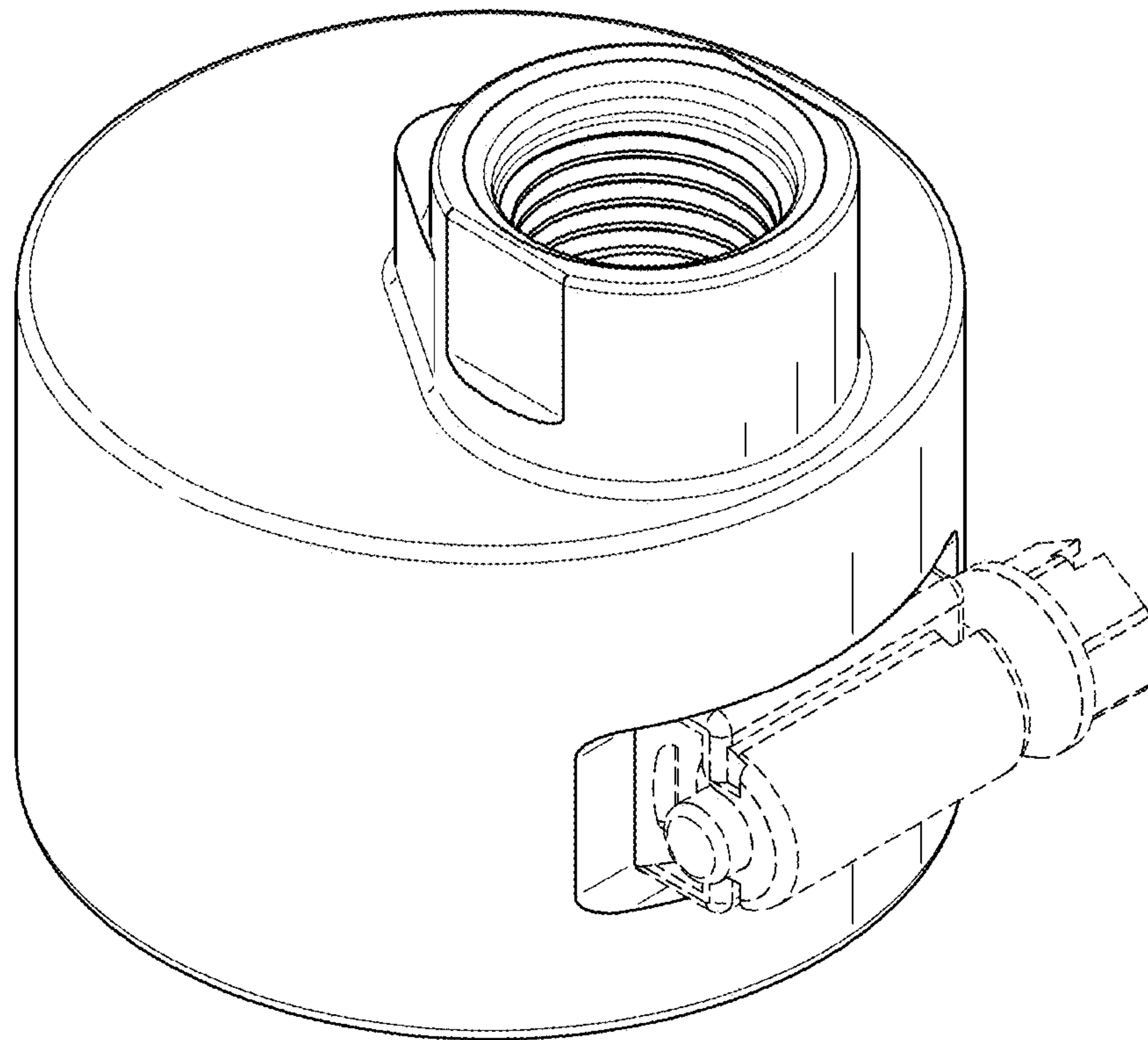


FIG. 1

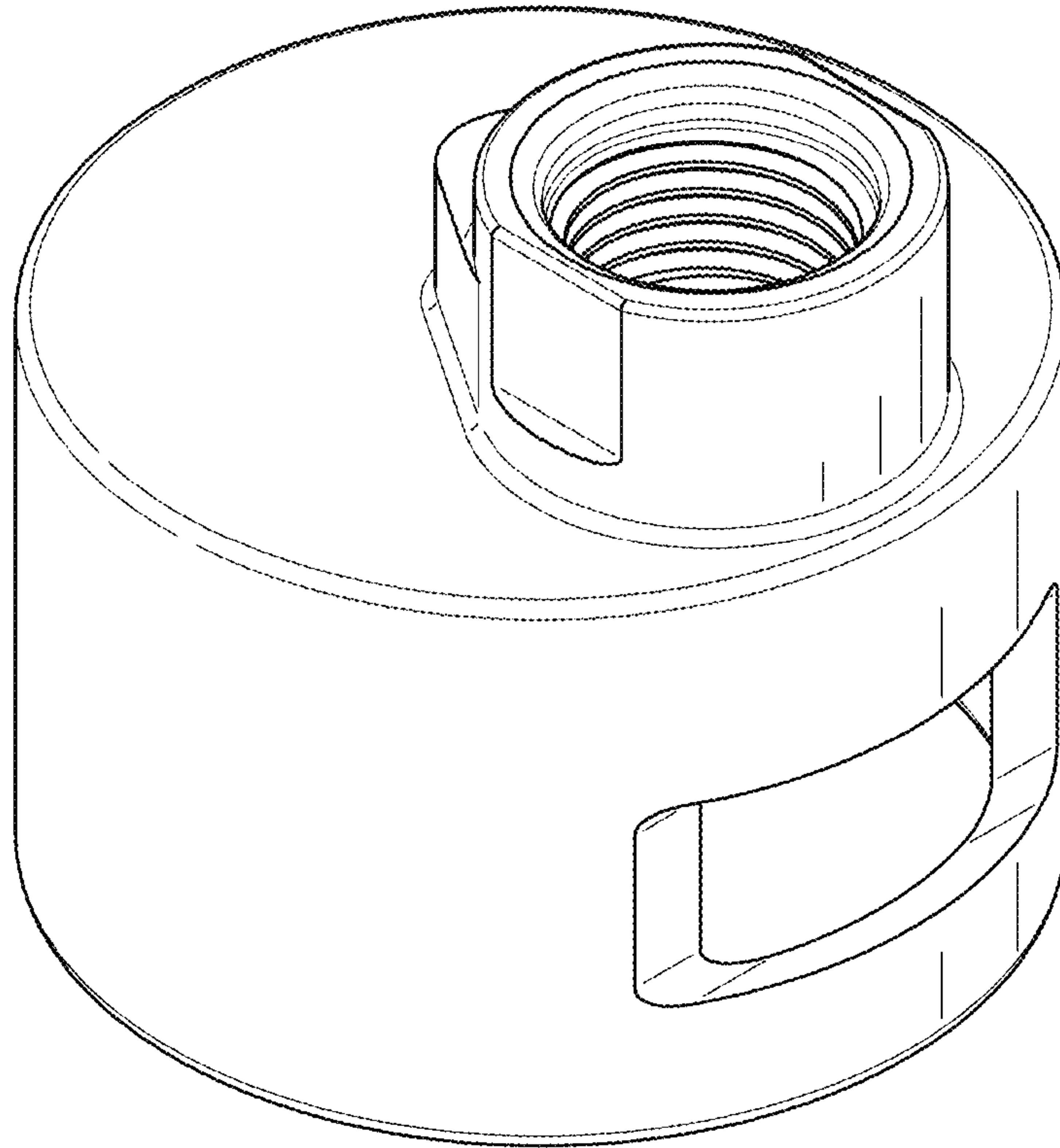


FIG. 2

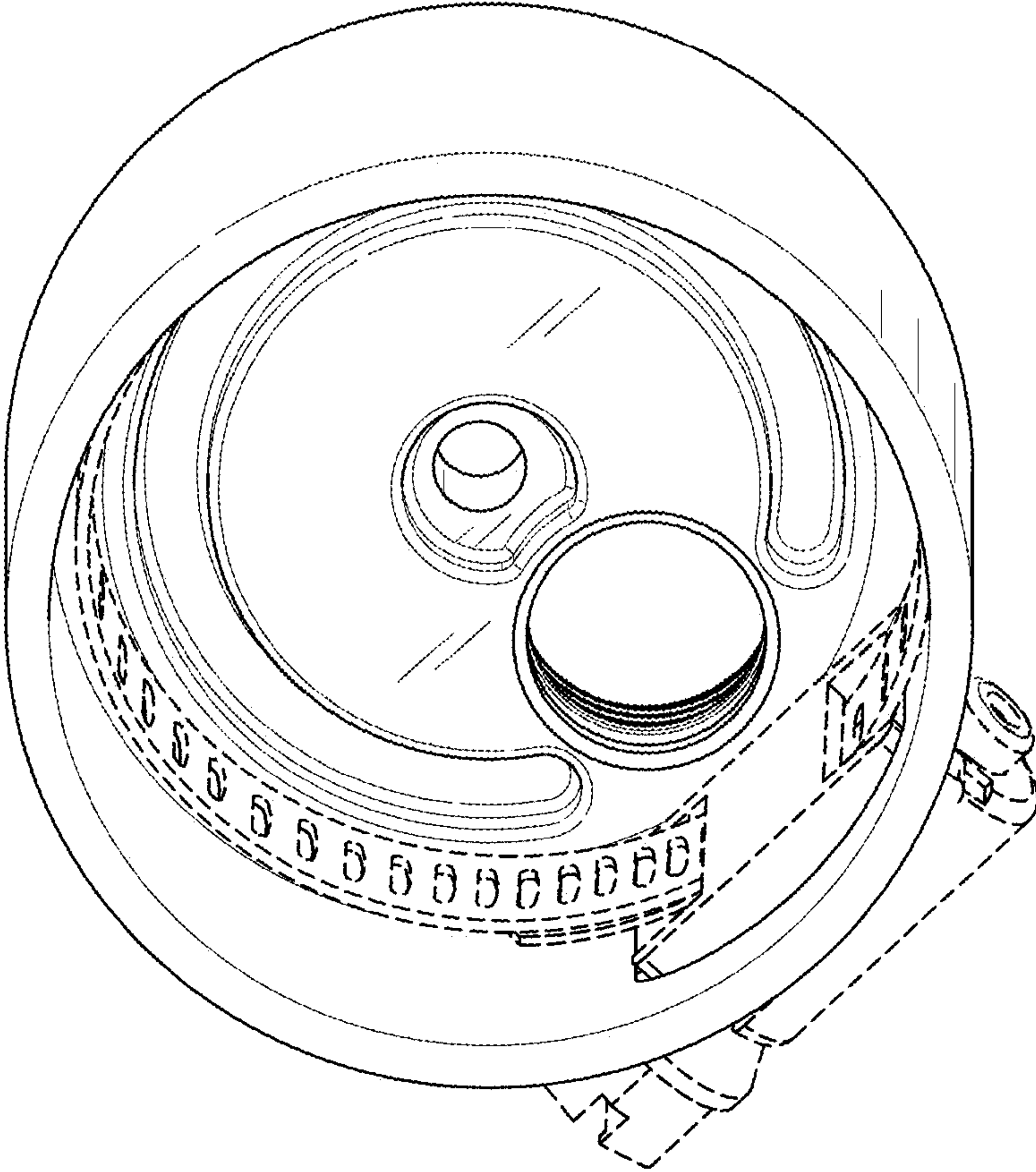


FIG. 3

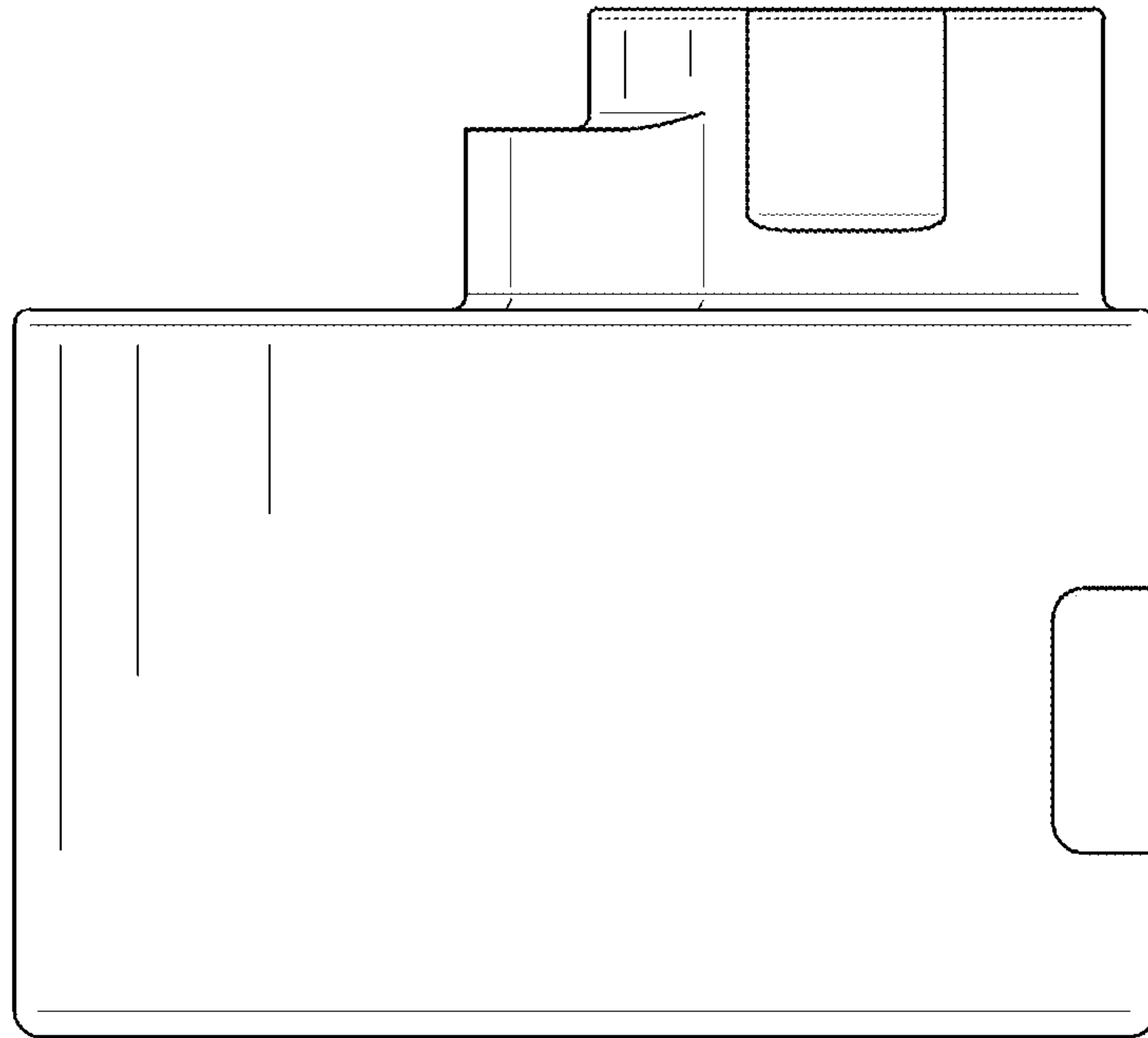


FIG. 4

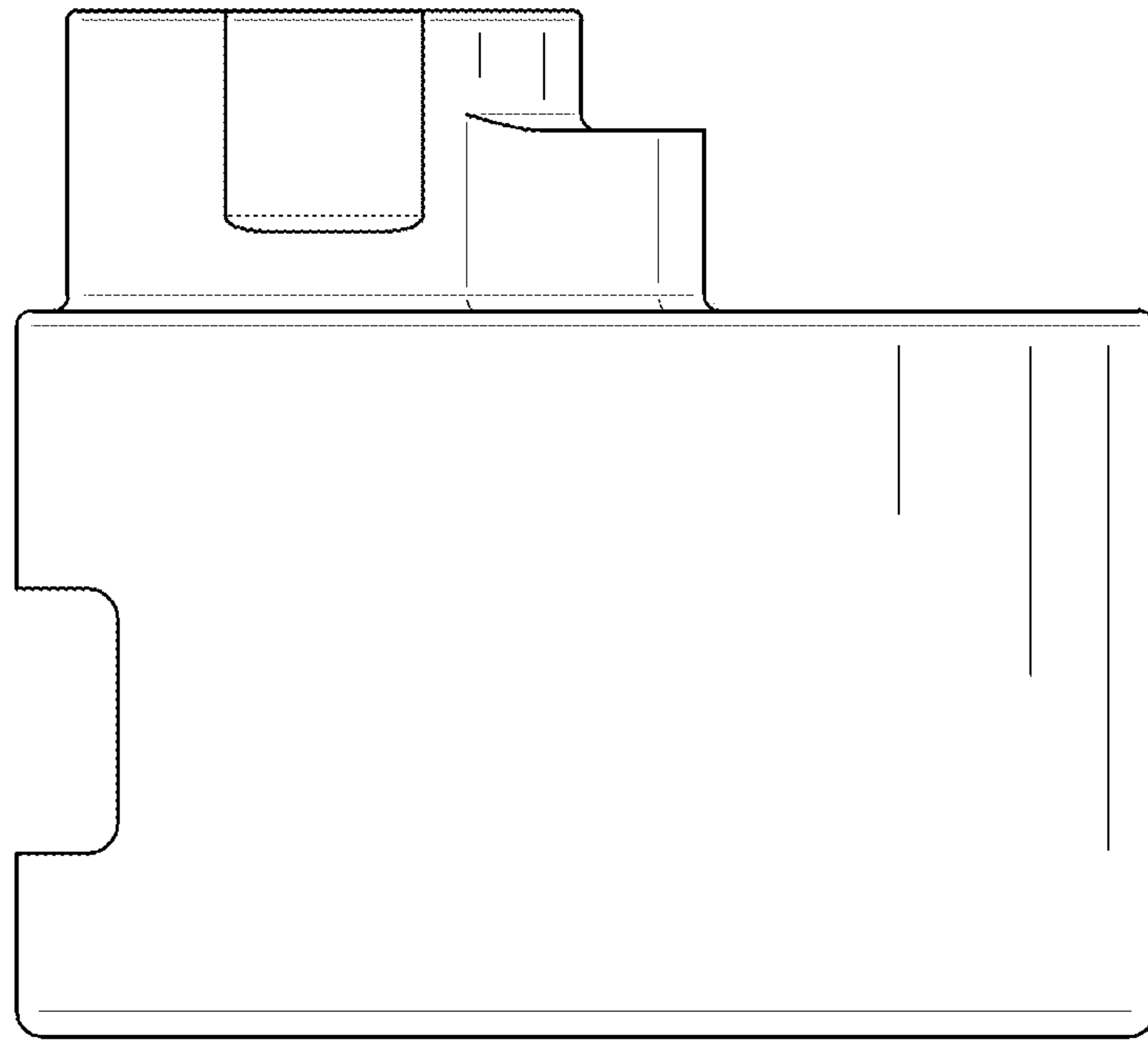


FIG. 5

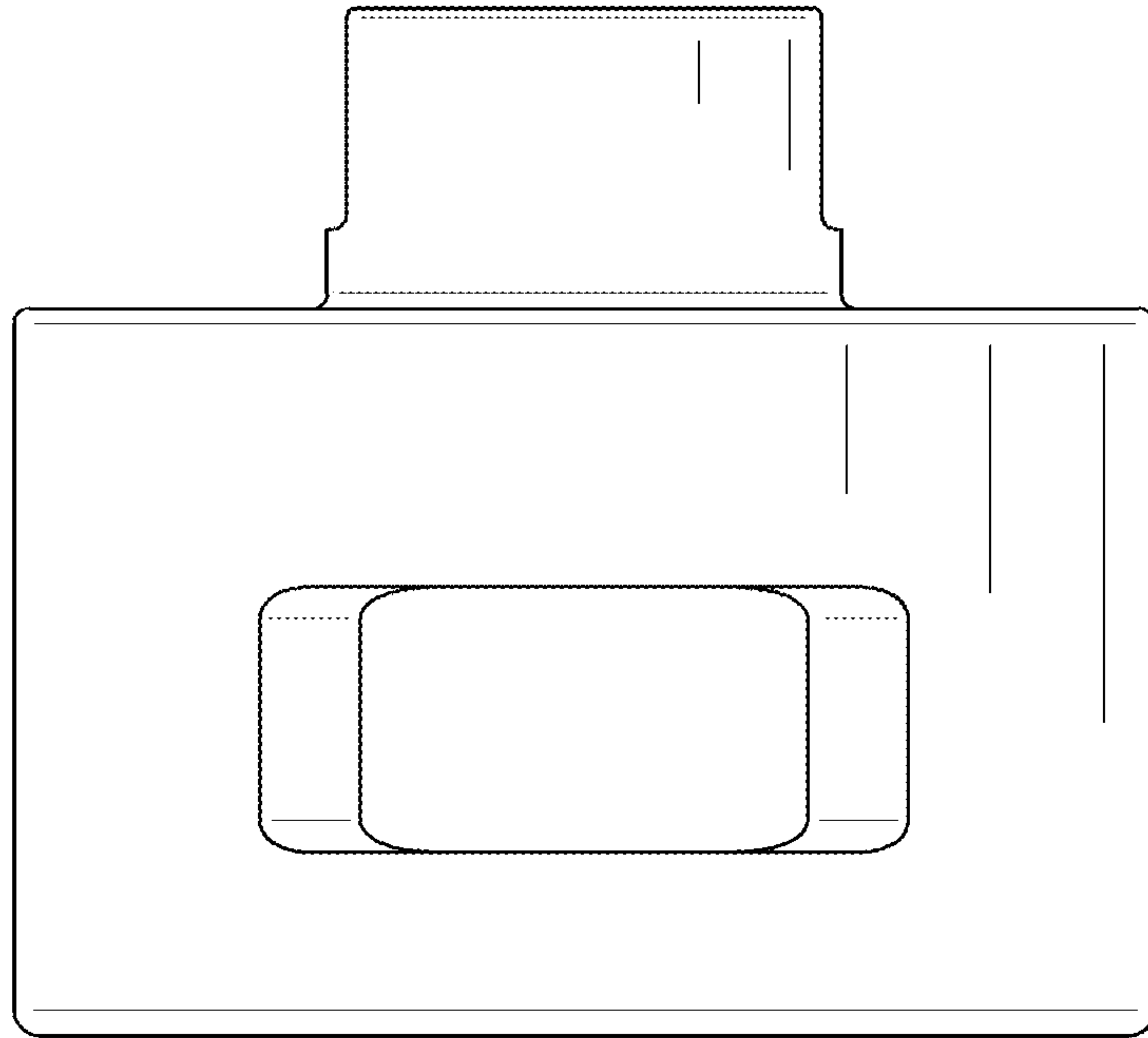


FIG. 6

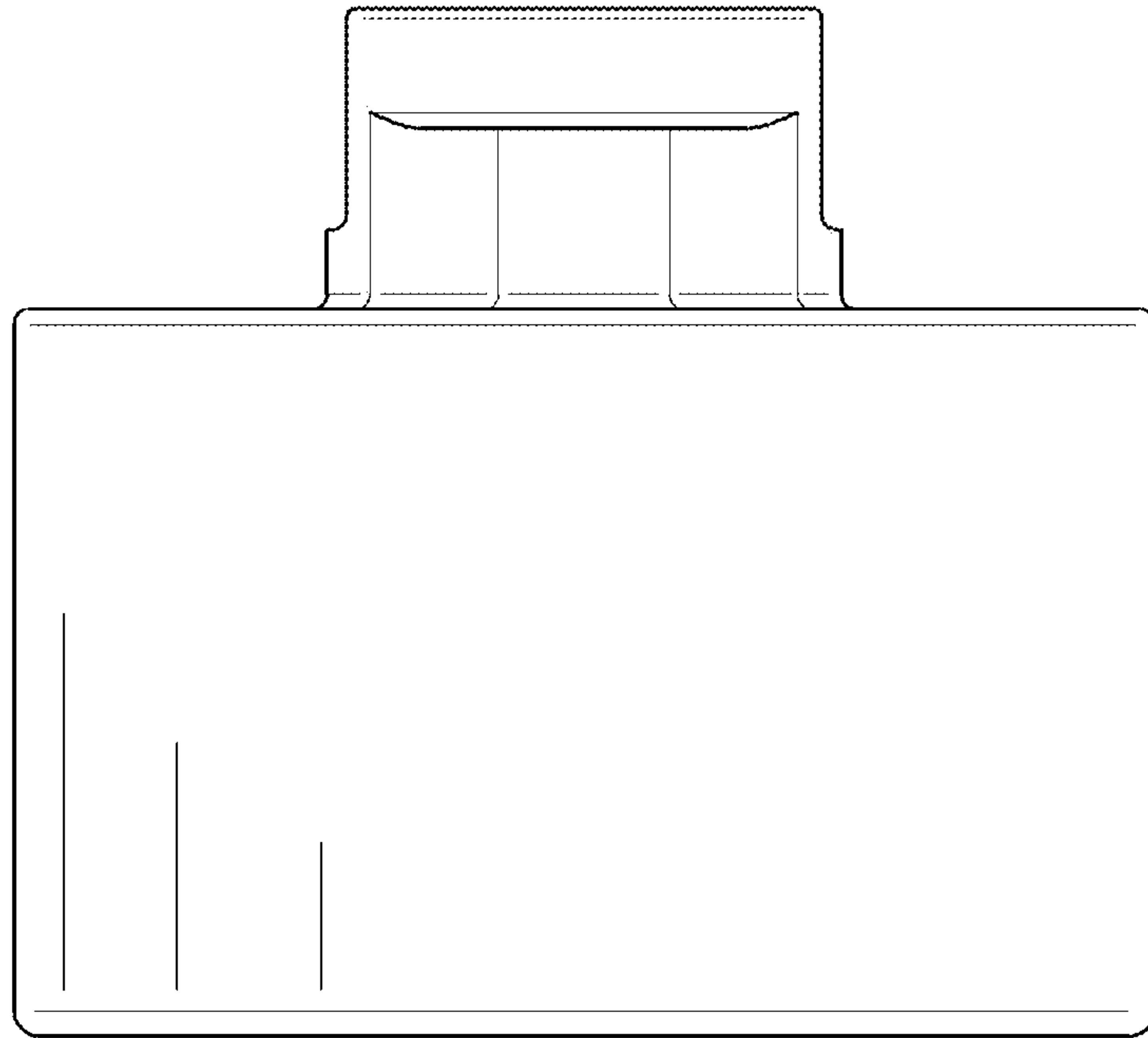


FIG. 7

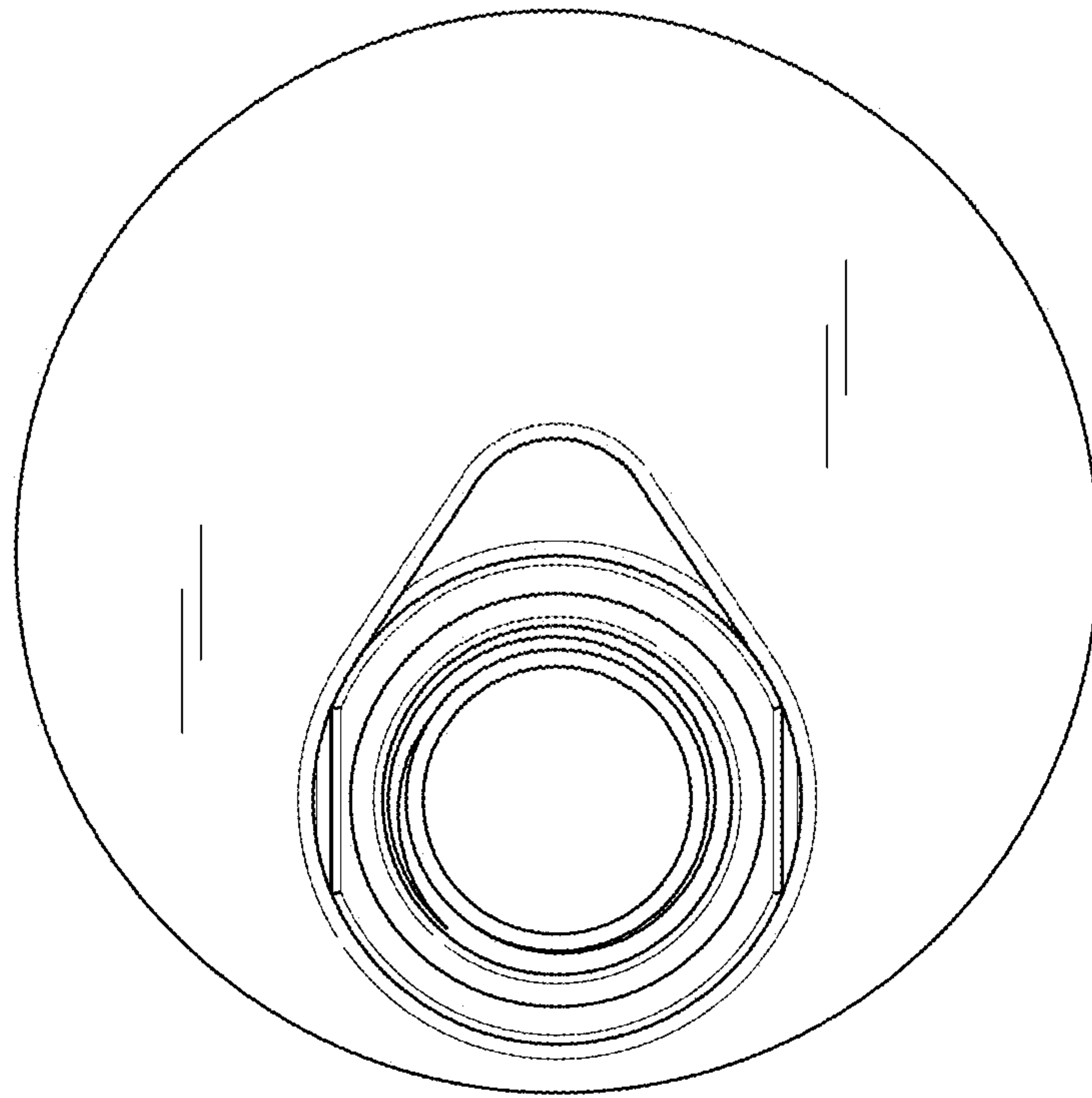


FIG. 8

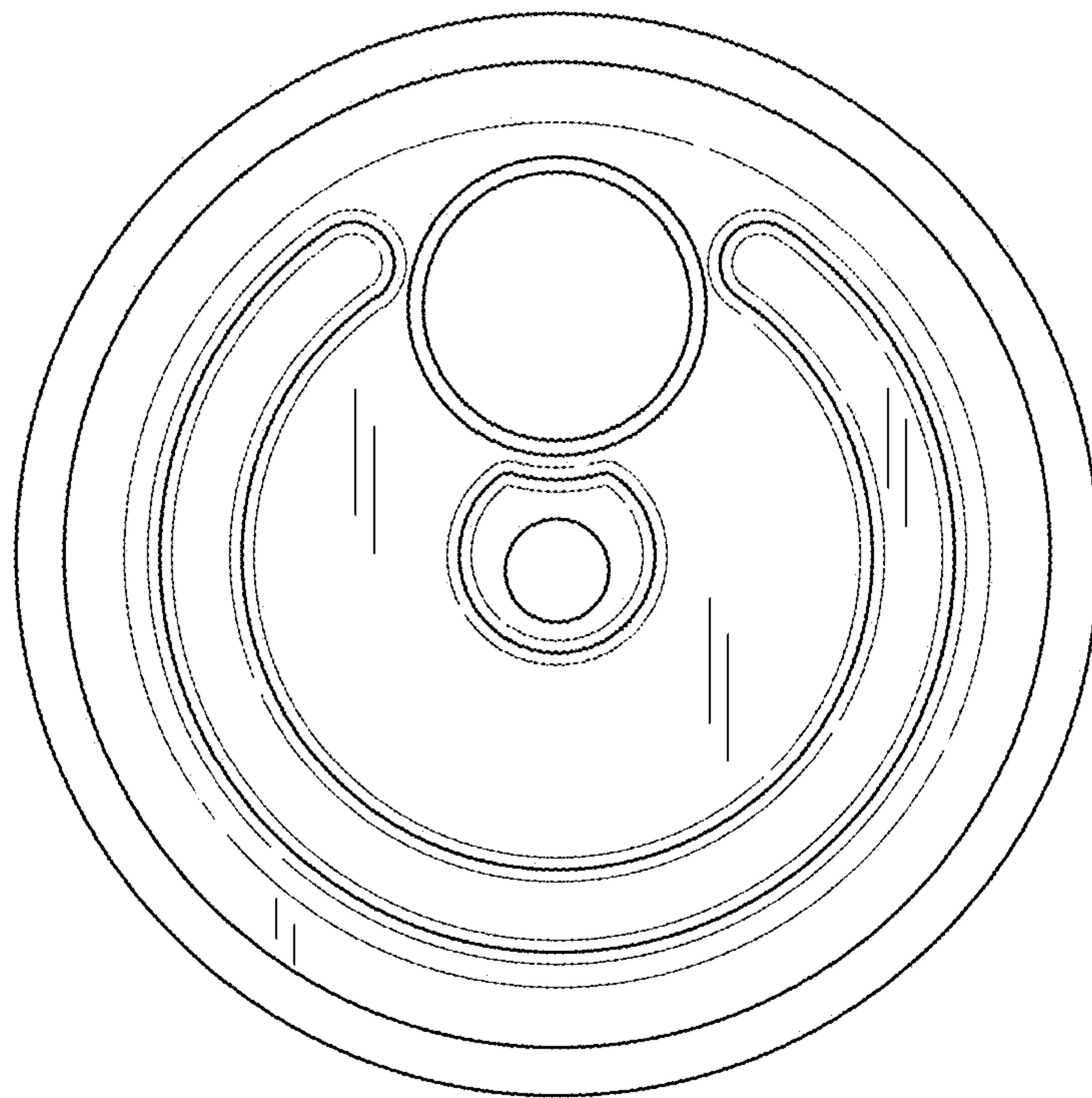


FIG. 9