



US00D929463S

(12) **United States Design Patent** (10) **Patent No.:** **US D929,463 S**
Oku (45) **Date of Patent:** **** Aug. 31, 2021**

(54) **MASTER CYLINDER BODY FOR VEHICLE**

FOREIGN PATENT DOCUMENTS

(71) Applicant: **NISSIN KOGYO CO., LTD.**, Tomi (JP)

JP 1088109 S 10/2000
JP 1089804 S 11/2000

(Continued)

(72) Inventor: **Koichiro Oku**, Tomi (JP)

(73) Assignee: **NISSIN KOGYO CO., LTD.**, Tomi (JP)

OTHER PUBLICATIONS

Office Action dated Jun. 26, 2020, issued in counterpart JP Application No. 2019-022407, with English translation (5 pages).

(**) Term: **15 Years**

Primary Examiner — Ania Aman

(21) Appl. No.: **29/730,380**

(74) *Attorney, Agent, or Firm* — Westerman, Hattori, Daniels & Adrian, LLP

(22) Filed: **Apr. 3, 2020**

(30) **Foreign Application Priority Data**

Oct. 7, 2019 (JP) 2019-022407

(51) **LOC (13) Cl.** **15-01**

(52) **U.S. Cl.**
USPC **D15/5**

(58) **Field of Classification Search**
USPC D15/1, 2, 3, 4, 5; D12/110, 114, 117, D12/179, 180

CPC B60T 11/20; B60T 11/165; B60T 11/16

See application file for complete search history.

(56) **References Cited**

U.S. PATENT DOCUMENTS

D425,464 S *	5/2000	Sands	D12/179
D522,422 S *	6/2006	Campbell	D12/180
D619,944 S *	7/2010	Shimizugami	D12/179
D648,251 S *	11/2011	Murayama	D12/180
2008/0155982 A1 *	7/2008	Jones	B60T 11/22 60/588
2015/0143991 A1 *	5/2015	Scheibe	B60T 17/043 92/130 R
2016/0177976 A1 *	6/2016	Ruopp	B62K 23/06 60/592
2016/0194052 A1 *	7/2016	Barnett	B62L 3/023 188/152

(Continued)

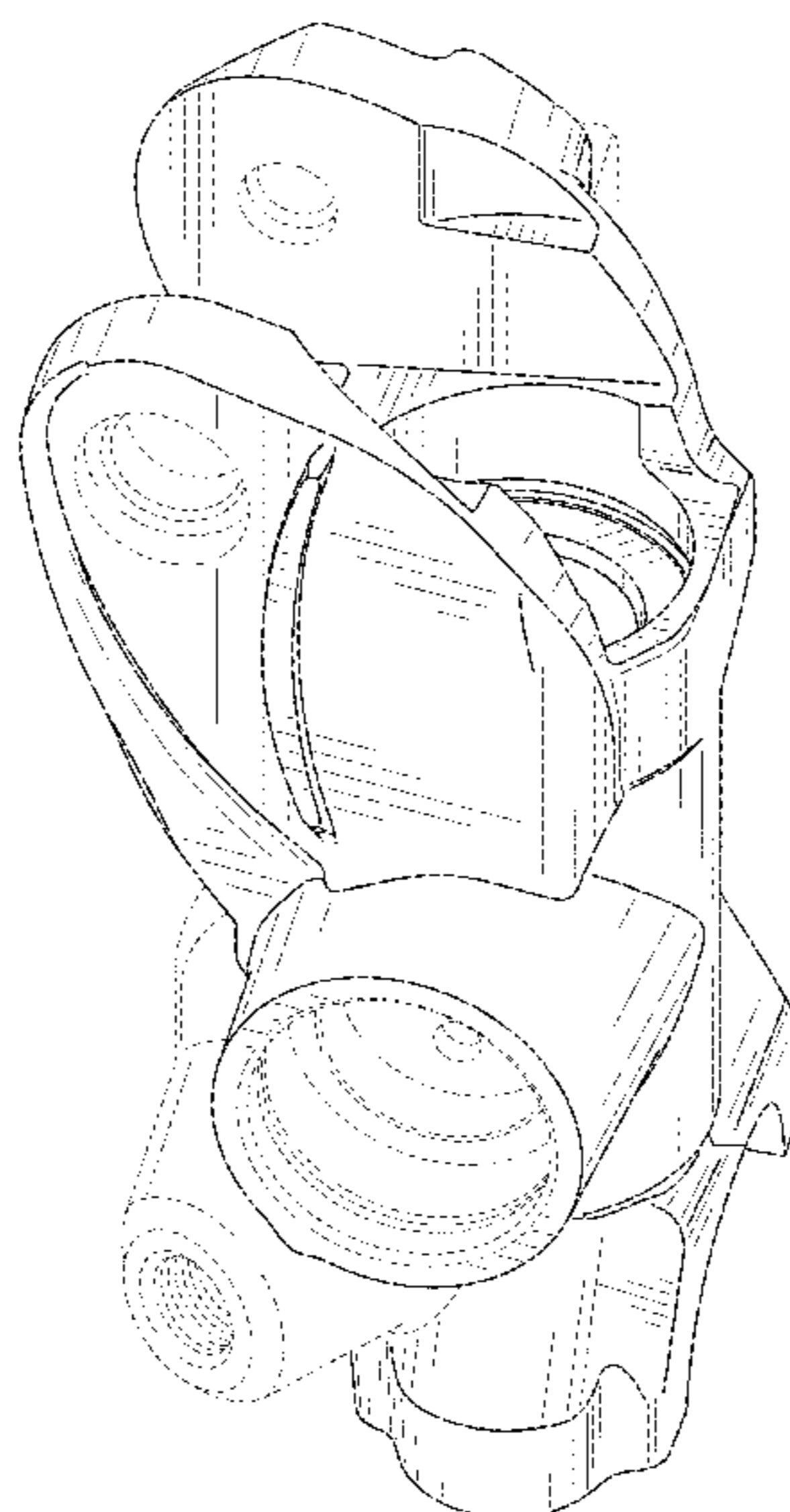
(57) **CLAIM**

The ornamental design for a master cylinder body for vehicle, as shown and described.

DESCRIPTION

FIG. 1 is a front elevation view of a master cylinder body for vehicle, showing my new design;
FIG. 2 is a rear elevation view thereof;
FIG. 3 is a top plan view thereof;
FIG. 4 is a bottom plan view thereof;
FIG. 5 is a right side elevation view thereof;
FIG. 6 is a left side elevation view thereof;
FIG. 7 is a cross-sectional view thereof taken through section line 7-7 of FIG. 1;
FIG. 8 is a perspective view thereof; and,
FIG. 9 is a reference view thereof, showing one example of the master cylinder body for vehicle in an assembled state. The evenly spaced broken lines shown in the views illustrate portions of the master cylinder body for vehicle that form no part of the claimed design. The dash-dot broken lines shown in FIG. 9 depict environmental structures and form no part of the claimed design.

1 Claim, 9 Drawing Sheets



(56)

References Cited

U.S. PATENT DOCUMENTS

2016/0368560 A1* 12/2016 Barnett F15B 7/08
2020/0354015 A1* 11/2020 Ruopp B60T 11/18
2020/0384971 A1* 12/2020 Perry B60T 7/10

FOREIGN PATENT DOCUMENTS

JP 1213646 S 8/2004
JP 1213647 S 8/2004
JP 2008-284998 A 11/2008
JP 2014-227080 A 12/2014
JP 2019-81441 A 5/2019

* cited by examiner

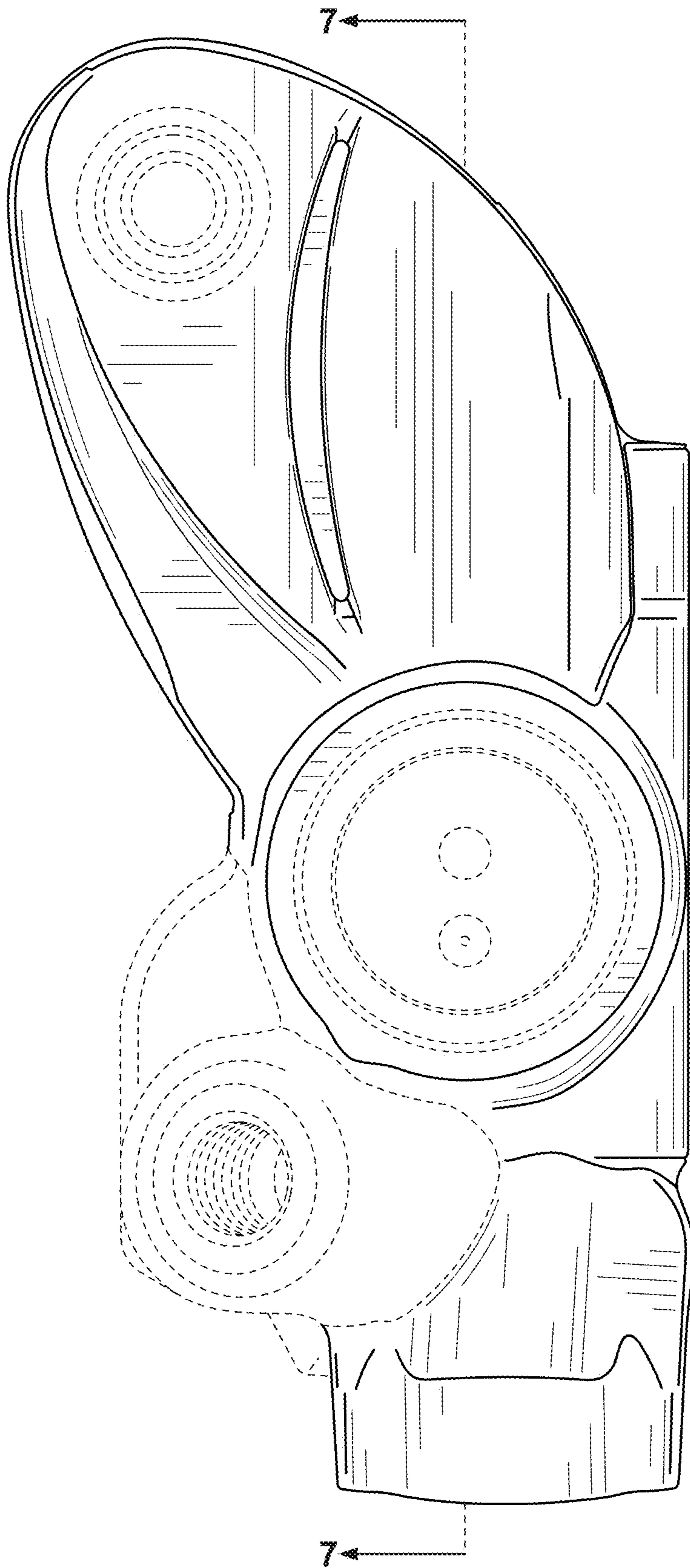


FIG. 1

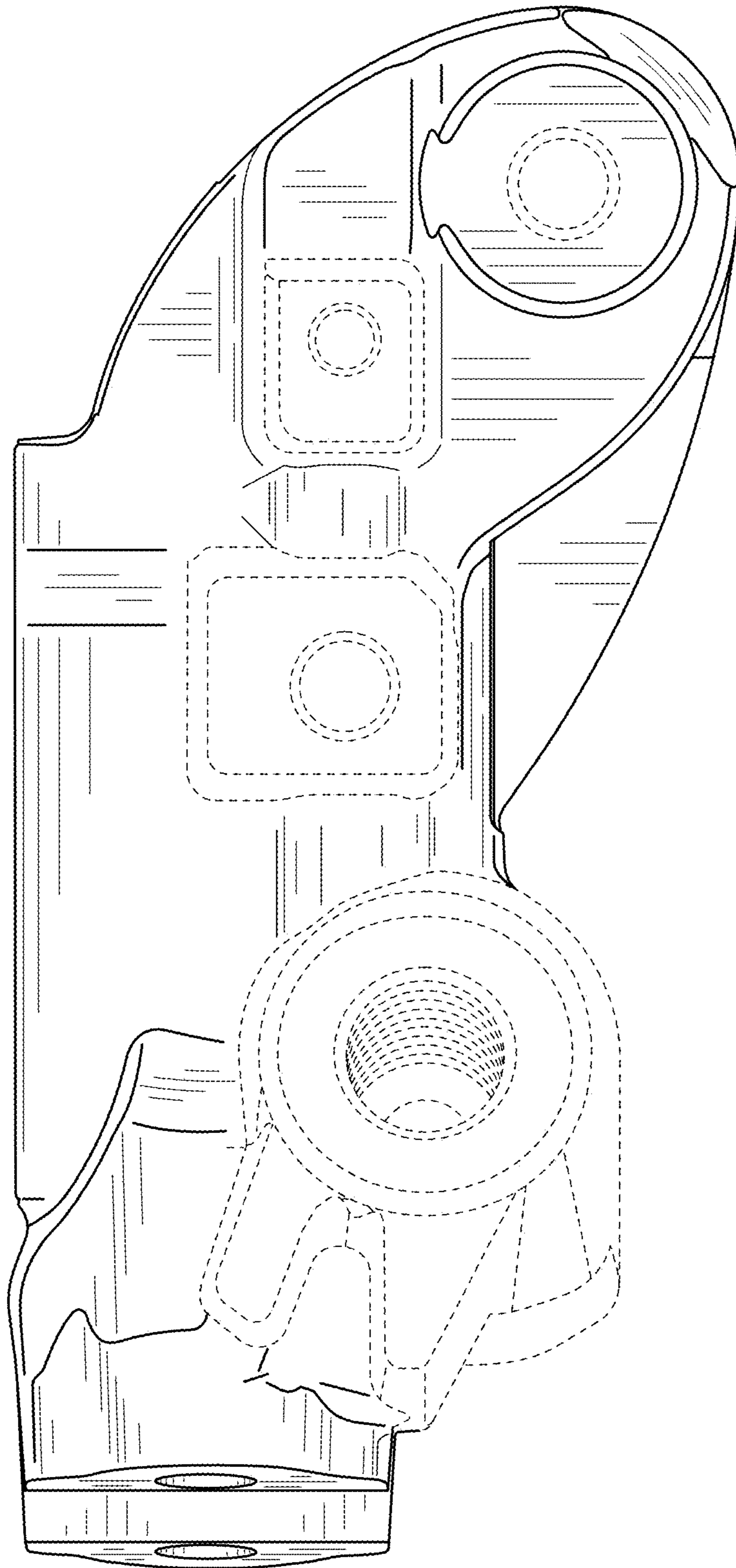


FIG. 2

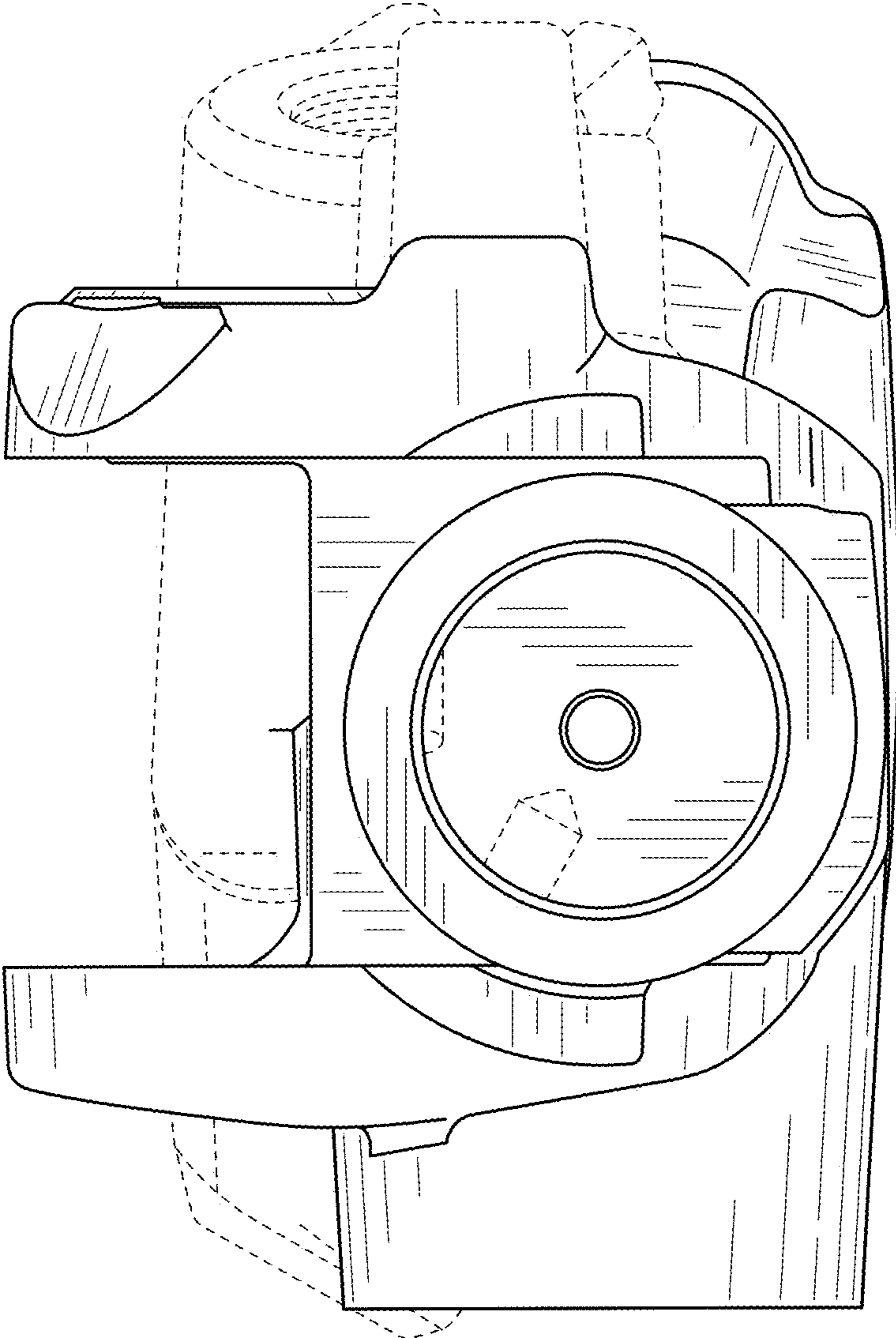


FIG. 3

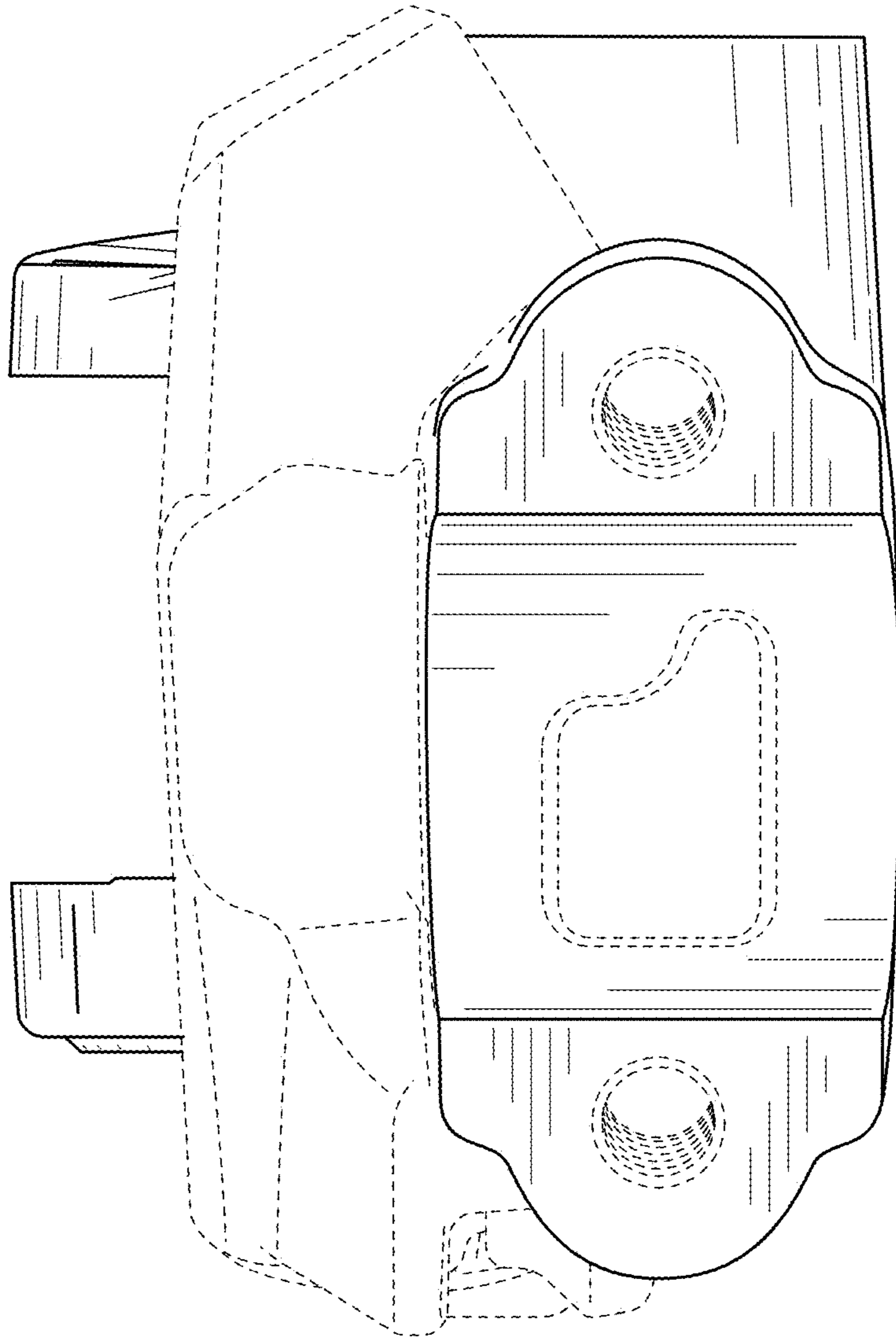


FIG. 4

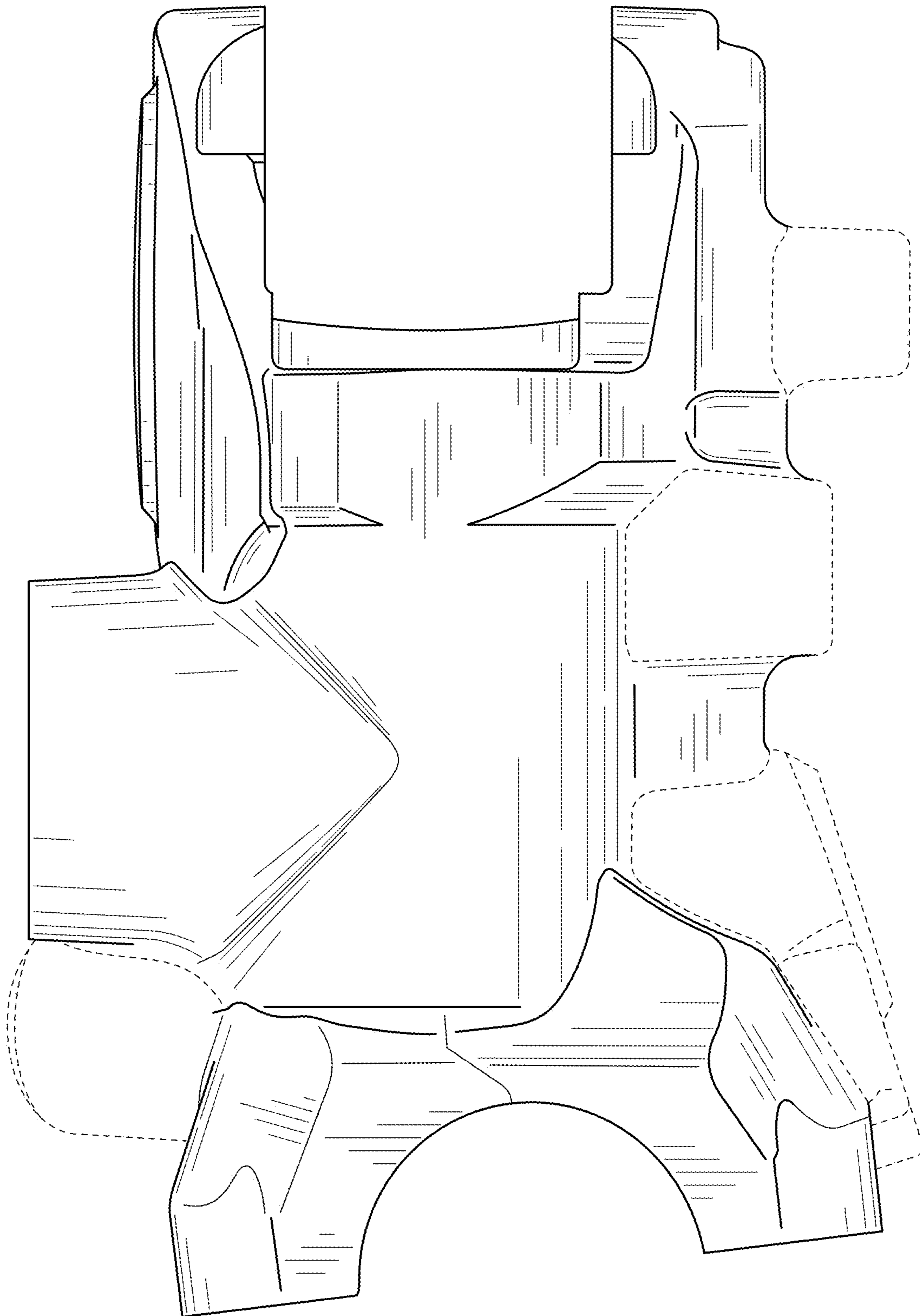


FIG. 5

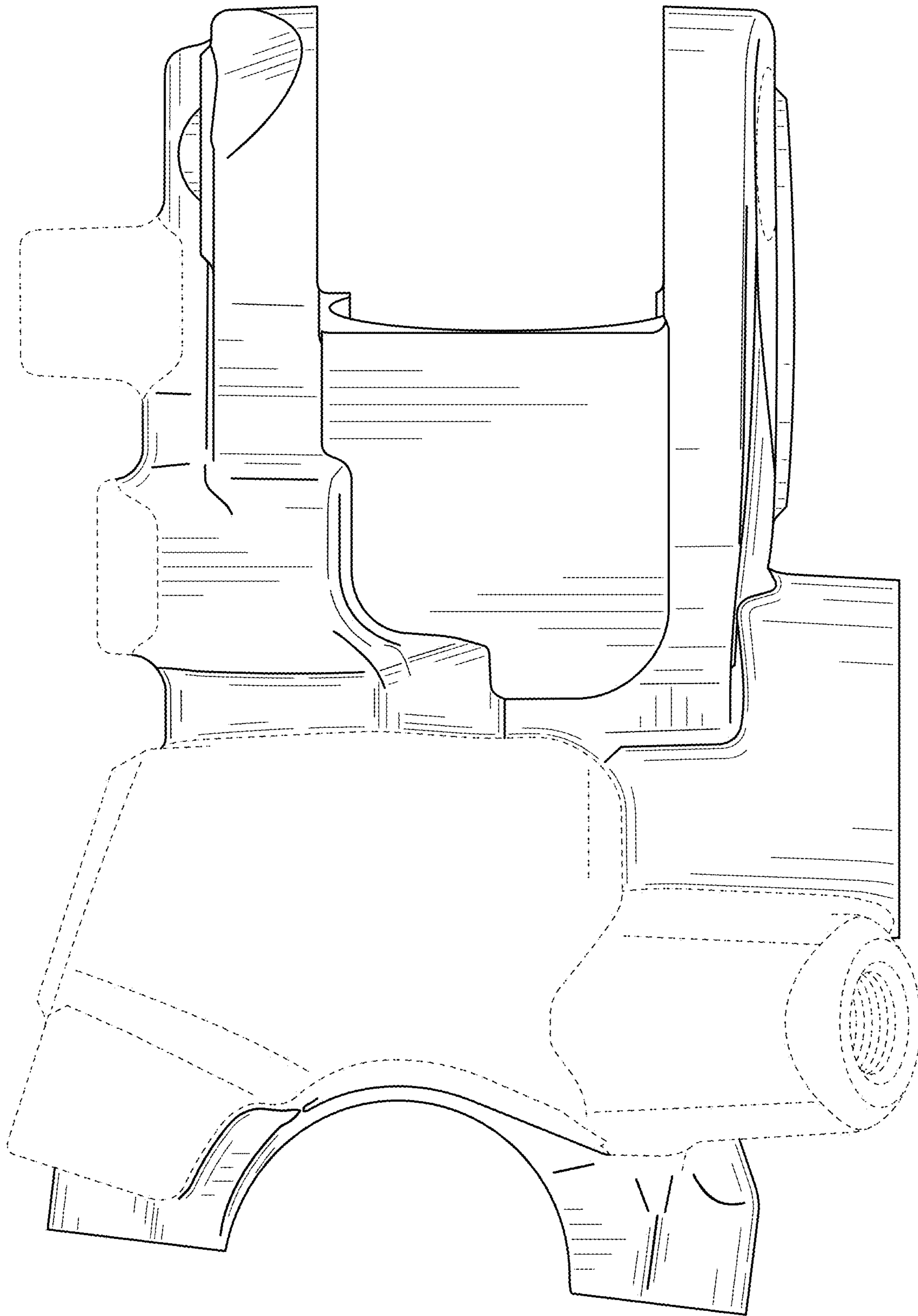


FIG. 6

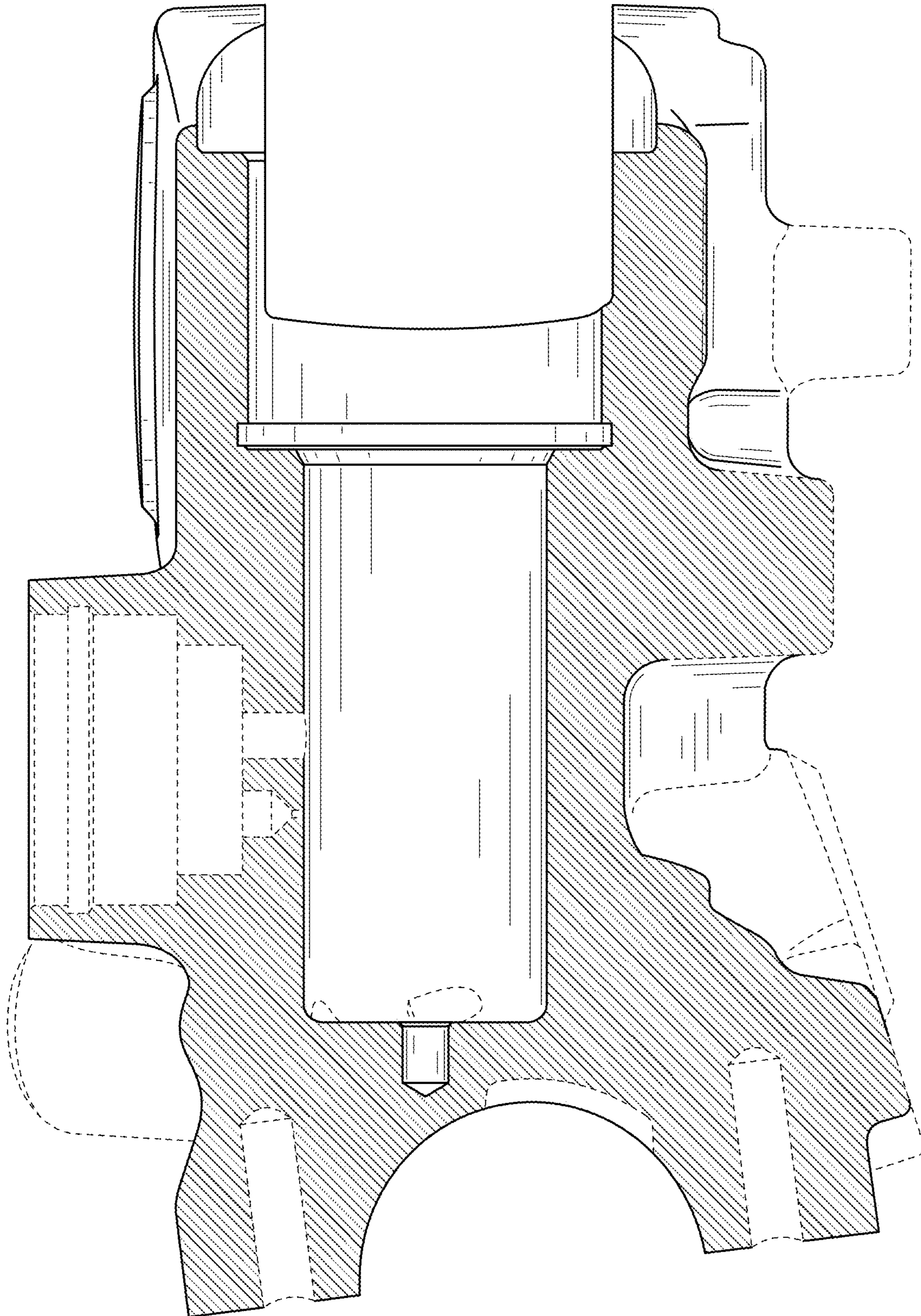


FIG. 7

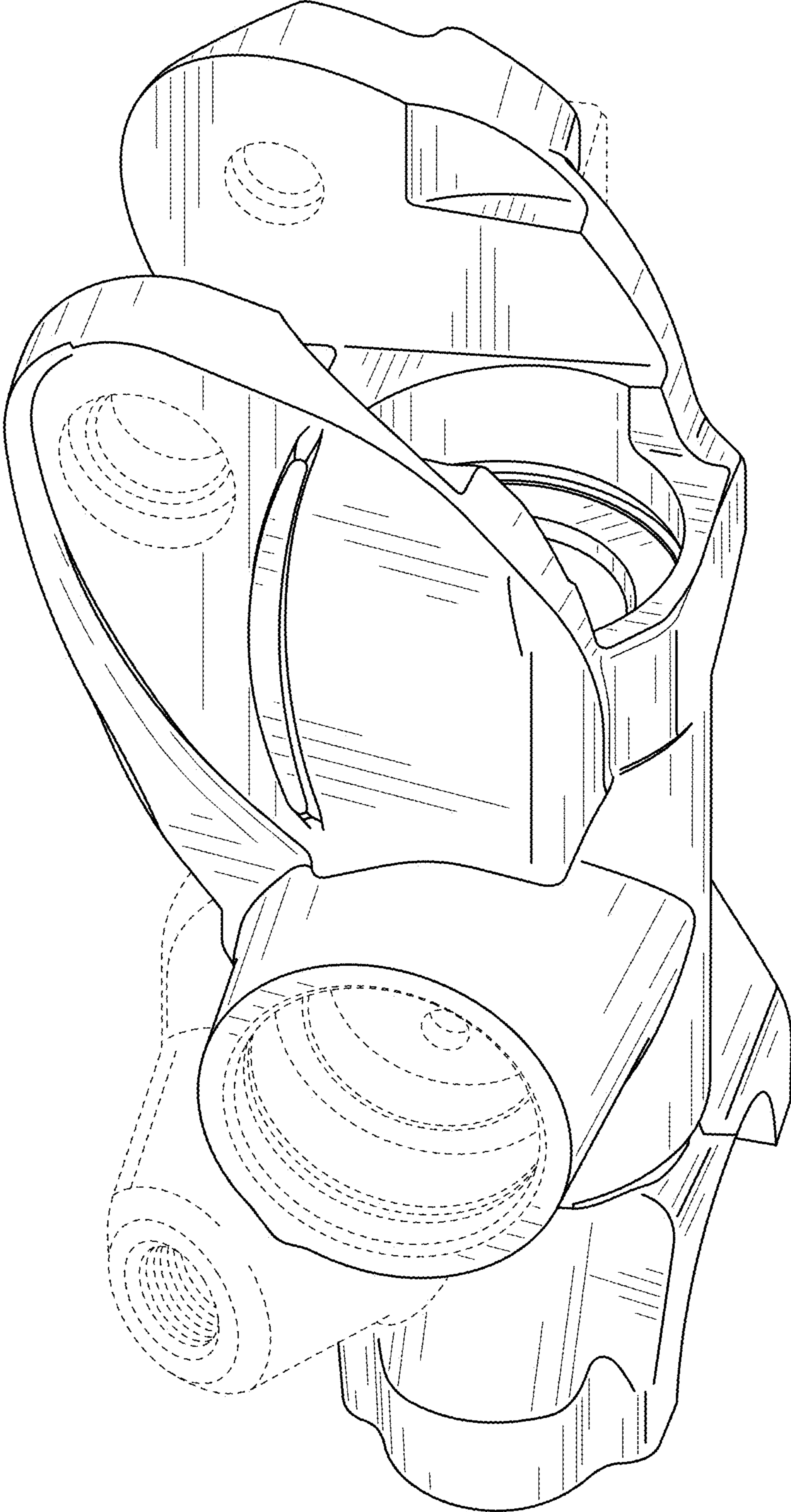


FIG. 8

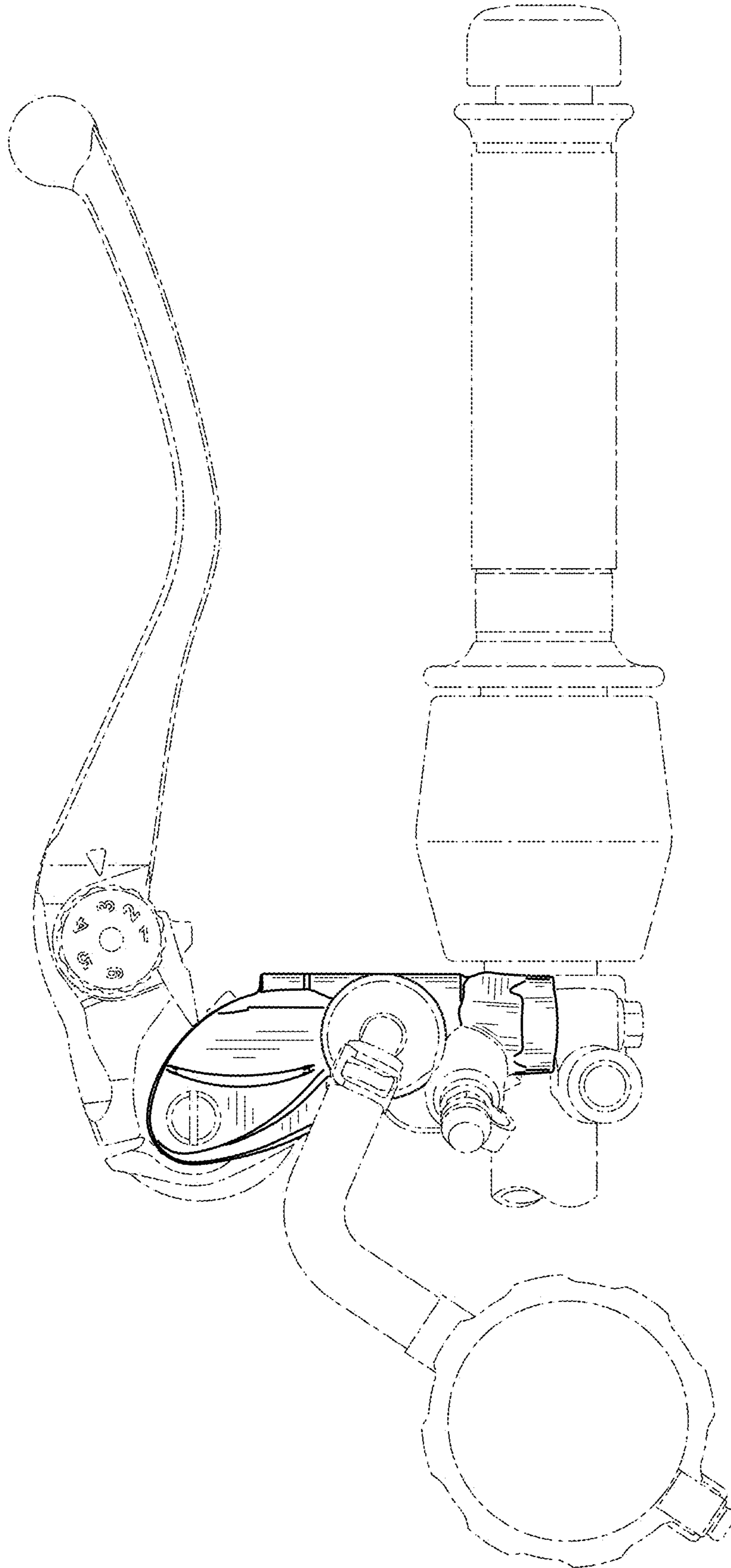


FIG. 9