



US00D929426S

(12) **United States Design Patent**  
**Xie et al.**

(10) **Patent No.: US D929,426 S**

(45) **Date of Patent: \*\* Aug. 31, 2021**

(54) **ELECTRONIC DISPLAY FOR A WEARABLE DEVICE PRESENTING A GRAPHICAL USER INTERFACE**

D823,329 S \* 7/2018 Jeon ..... D14/486  
D853,441 S \* 7/2019 Khandelwal ..... D14/491  
D857,740 S \* 8/2019 Ko ..... D14/488  
D882,623 S \* 4/2020 van Zyl ..... D14/487

(Continued)

(71) Applicant: **HUAWEI TECHNOLOGIES CO., LTD.**, Shenzhen (CN)

(72) Inventors: **Guyu Xie**, Shenzhen (CN); **Long Luo**, Shenzhen (CN)

(73) Assignee: **HUAWEI TECHNOLOGIES CO., LTD.**, Shenzhen (CN)

(\*\*) Term: **15 Years**

(21) Appl. No.: **29/726,135**

(22) Filed: **Feb. 28, 2020**

(30) **Foreign Application Priority Data**

Sep. 2, 2019 (CN) ..... 201930481849.9

(51) **LOC (13) Cl.** ..... **14-04**

(52) **U.S. Cl.**  
USPC ..... **D14/485**

(58) **Field of Classification Search**  
USPC ..... D14/344, 485-495; D10/32, 39  
CPC ..... G06F 1/163  
See application file for complete search history.

(56) **References Cited**

**U.S. PATENT DOCUMENTS**

D706,791 S \* 6/2014 Sassoon ..... D14/486  
D746,317 S \* 12/2015 Frick ..... D14/487  
D749,107 S \* 2/2016 Amiya ..... D14/486  
D753,678 S \* 4/2016 Clarke ..... G06F 1/1626  
D14/485  
D769,897 S \* 10/2016 Li ..... D14/485  
D779,510 S \* 2/2017 Li ..... D14/485  
D784,388 S \* 4/2017 Kim ..... D14/486  
D794,649 S \* 8/2017 Nijima ..... D14/485  
D800,160 S \* 10/2017 Shaw ..... D14/489

**OTHER PUBLICATIONS**

SEE. "Smart Watch Interface UI Kit." Dribbble, published Aug. 5, 2014 (Retrieved from the Internet Feb. 5, 2021). Internet URL: <<https://dribbble.com/shots/1672565-Smart-Watch-Interface-Ui-Kit>> (Year: 2014).\*

(Continued)

*Primary Examiner* — Rachel A. Voorhies

(57) **CLAIM**

The ornamental design for an electronic display for a wearable device presenting a graphical user interface, as shown and described.

**DESCRIPTION**

FIG. 1 is a front view of a first image of an electronic display for a wearable device presenting a graphical user interface, showing our new design;

FIG. 2 is an enlarged front view taken from FIG. 1;

FIG. 3 is a front view of a second image thereof; and,

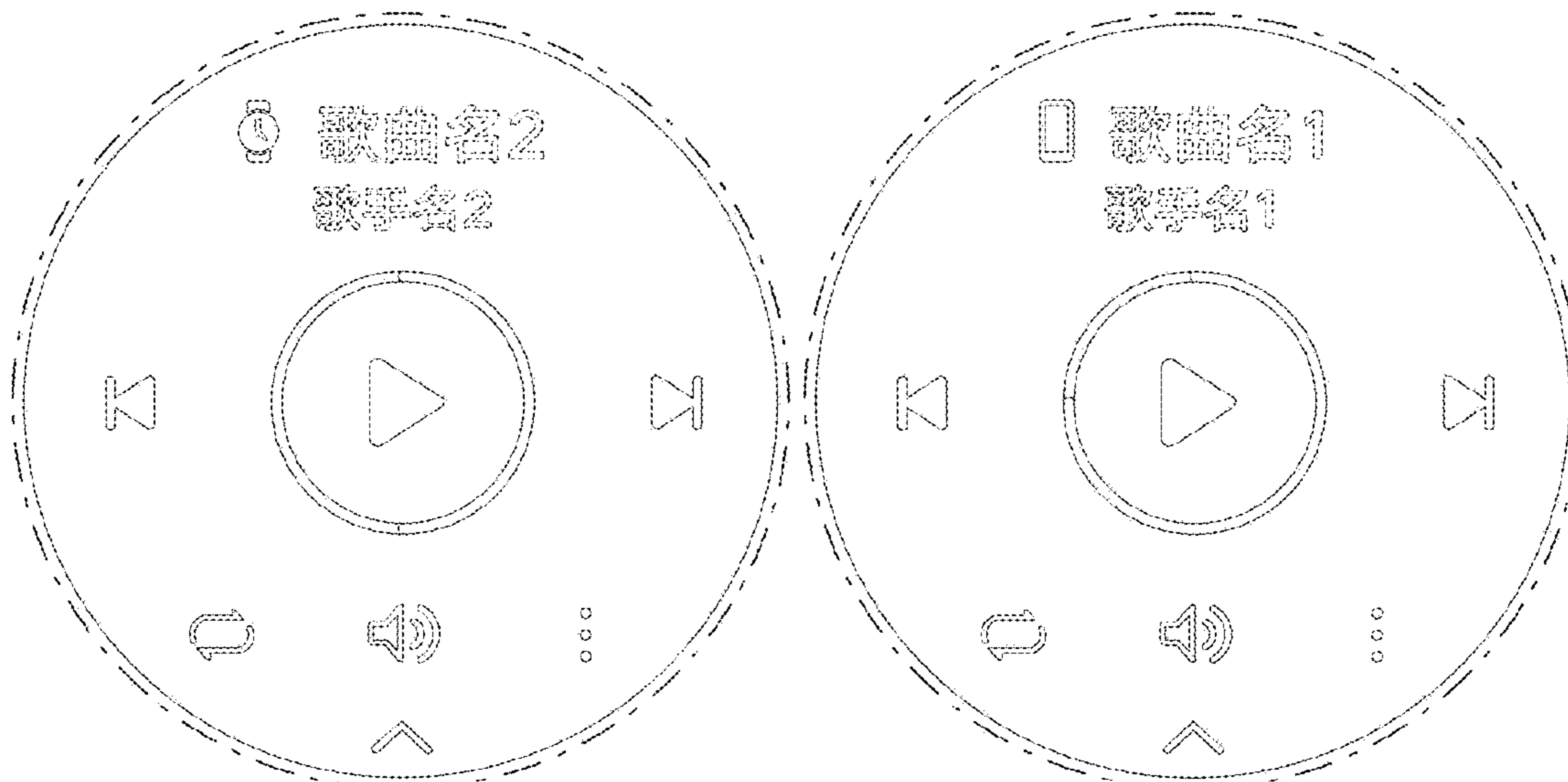
FIG. 4 is an enlarged front view taken from FIG. 3.

The appearance of the graphical user interface transitions sequentially between the images shown in FIGS. 1 and 3 and FIGS. 2 and 4. The process or period in which one image transitions to another forms no part of the claimed design.

The broken line showing of the electronic display for a wearable device presenting a graphical user interface is for the purpose of illustrating portions of the electronic display for a wearable device presenting a graphical user interface and forms no part of the claimed design.

The dot-dash broken line encircling the enlarged portions forms no part of the claimed design.

**1 Claim, 4 Drawing Sheets**



(56)

**References Cited**

U.S. PATENT DOCUMENTS

D888,090 S \* 6/2020 Williams ..... D14/488  
D913,318 S \* 3/2021 Jenoski ..... D14/488  
D914,704 S \* 3/2021 Sahu ..... D14/485  
2016/0110012 A1\* 4/2016 Yim ..... G06F 1/1626  
345/173

OTHER PUBLICATIONS

Langley, Hugh. "The best Samsung Gear S3 watch faces." Wareable, published Mar. 8, 2018 (Retrieved from the Internet Feb. 9, 2021). Internet URL: <<https://www.wareable.com/samsung/best-samsung-gear-s3-watch-faces-2454>> (Year: 2018).\*

“华为 Watch GT2评测：满足你对 智能手表的所有想象” Zhihu, published Oct. 17, 2019 (Retrieved from the Internet Feb. 8, 2021). Internet URL: <<https://zhuanlan.zhihu.com/p/87269148>> (Year: 2019).\*

\* cited by examiner

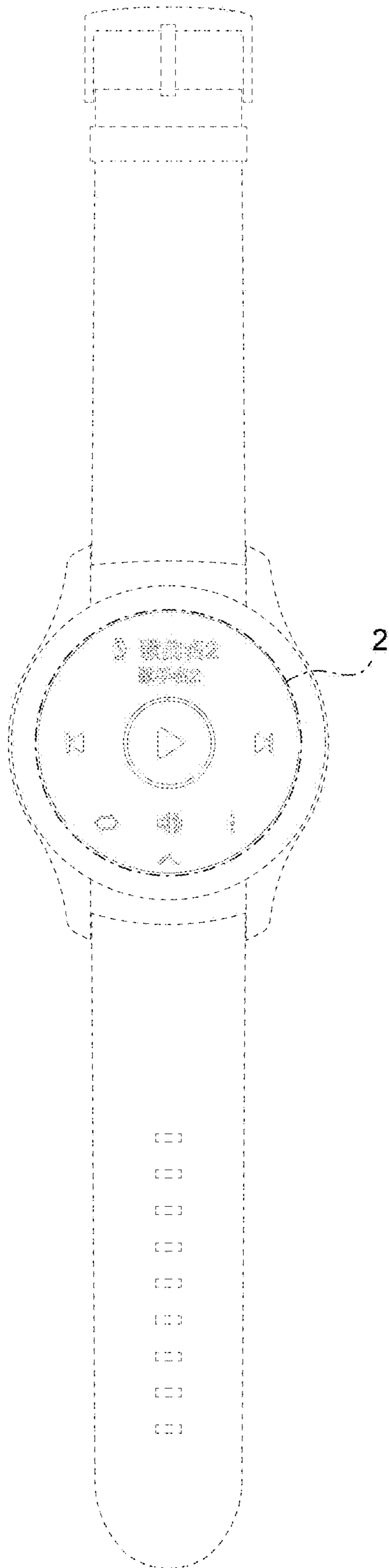


FIG. 1



FIG. 2

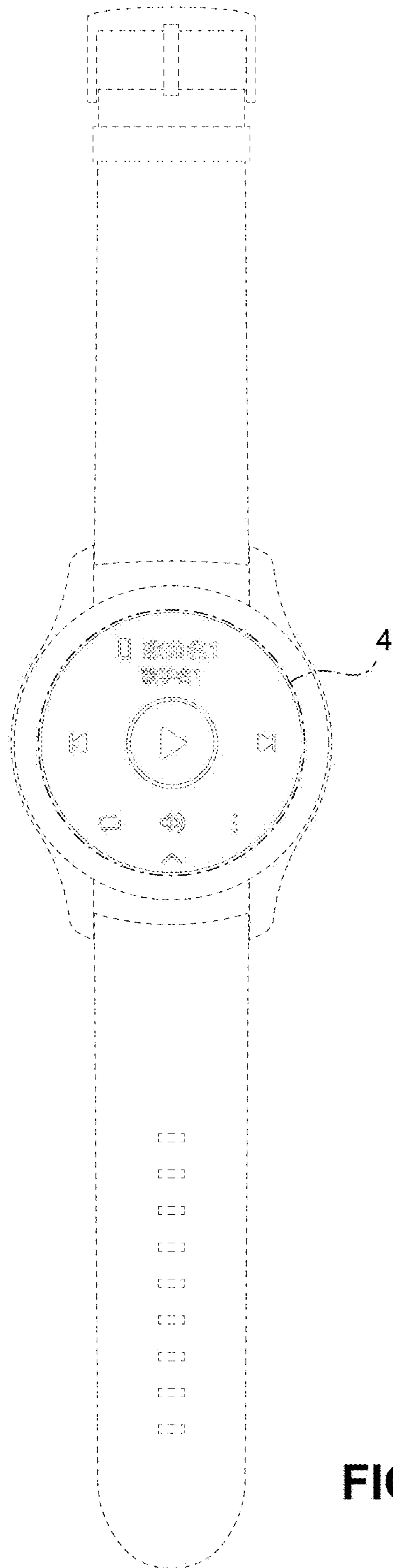


FIG. 3





FIG. 4