



US00D929424S

(12) **United States Design Patent**
Luo et al.

(10) **Patent No.:** **US D929,424 S**
(45) **Date of Patent:** **** Aug. 31, 2021**

(54) **ELECTRONIC DISPLAY FOR A WEARABLE DEVICE PRESENTING A GRAPHICAL USER INTERFACE**

Internet URL: <<https://www.cssdesignawards.com/blog/23-smartwatch-ui-designs-concepts/114/>> (Year: 2014).*

(Continued)

(71) Applicant: **HUAWEI TECHNOLOGIES CO., LTD.**, Shenzhen (CN)

Primary Examiner — Rachel A. Voorhies

(72) Inventors: **Long Luo**, Shenzhen (CN); **Guyu Xie**, Shenzhen (CN)

(57) **CLAIM**

The ornamental design for an electronic display for a wearable device presenting a graphical user interface, as shown and described.

(73) Assignee: **HUAWEI TECHNOLOGIES CO., LTD.**, Shenzhen (CN)

(**) Term: **15 Years**

(21) Appl. No.: **29/726,122**

(22) Filed: **Feb. 28, 2020**

(30) **Foreign Application Priority Data**

Aug. 31, 2019 (CN) 201930479016.9

(51) **LOC (13) Cl.** **14-04**

(52) **U.S. Cl.**
USPC **D14/485**

(58) **Field of Classification Search**
USPC D14/344, 485–495; D10/32, 39
CPC G06F 1/163
See application file for complete search history.

DESCRIPTION

FIG. 1 is a front view of a first image of an embodiment of an electronic display for a wearable device presenting a graphical user interface, showing our new design; FIG. 2 is an enlarged front view taken from FIG. 1; FIG. 3 is a front view of a second image thereof; FIG. 4 is an enlarged front view taken from FIG. 3; FIG. 5 is a front view of a first image of another embodiment of an electronic display for a wearable device presenting a graphical user interface, showing our new design; FIG. 6 is an enlarged front view taken from FIG. 5; FIG. 7 is a front view of a second image of said another embodiment; and, FIG. 8 is an enlarged front view taken from FIG. 7.

The appearance of the graphical user interface transitions sequentially between the images shown in FIGS. 1 and 3, FIGS. 2 and 4, FIGS. 5 and 7, and FIGS. 6 and 8. The process or period in which one image transitions to another forms no part of the claimed design.

The dot-dash broken line encircling the enlarged portions forms no part of the claimed design.

The broken line showing of the electronic display for a wearable device presenting a graphical user interface is for the purpose of illustrating portions of the electronic display for a wearable device presenting a graphical user interface and forms no part of the claimed design.

(56) **References Cited**

U.S. PATENT DOCUMENTS

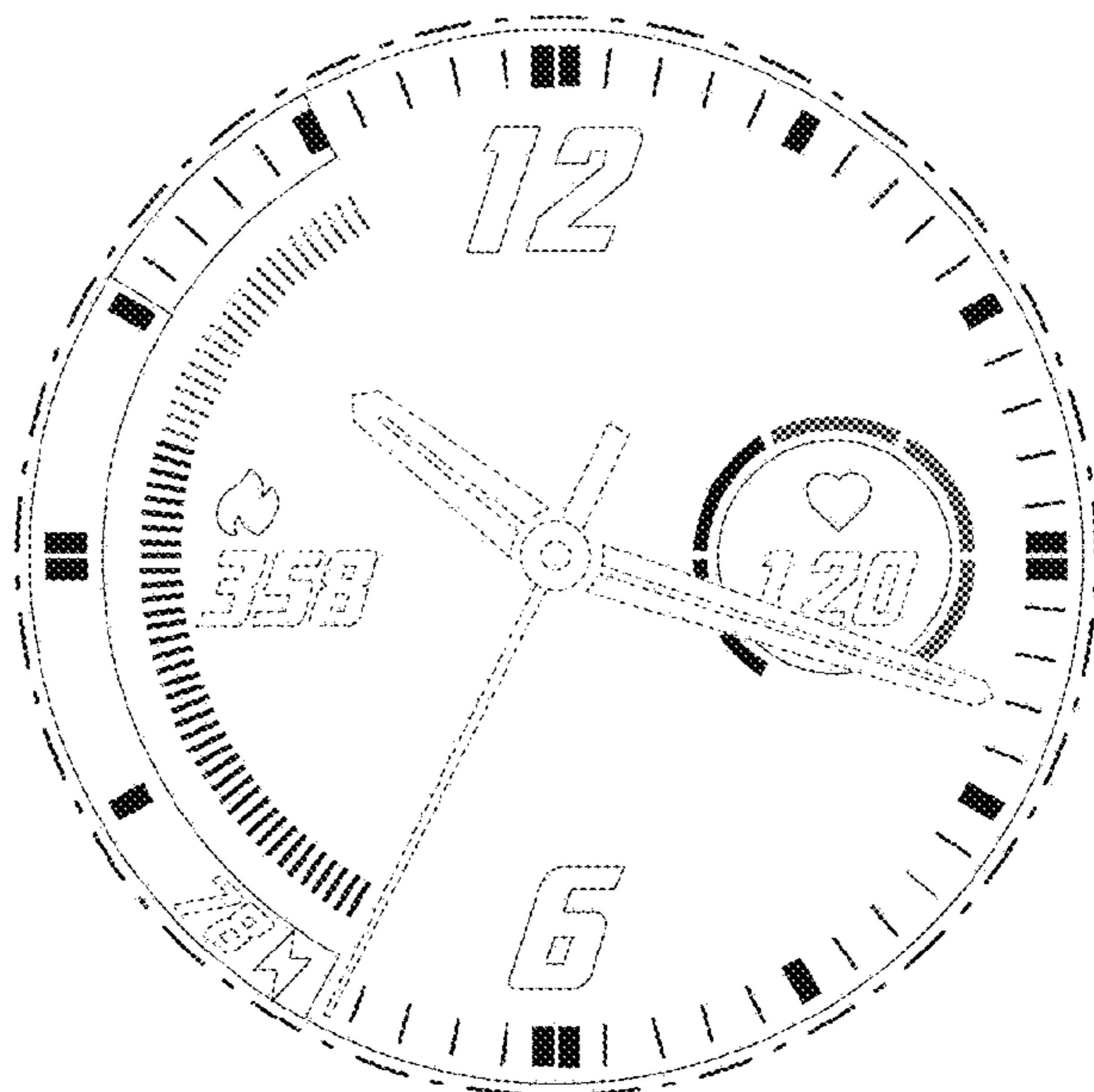
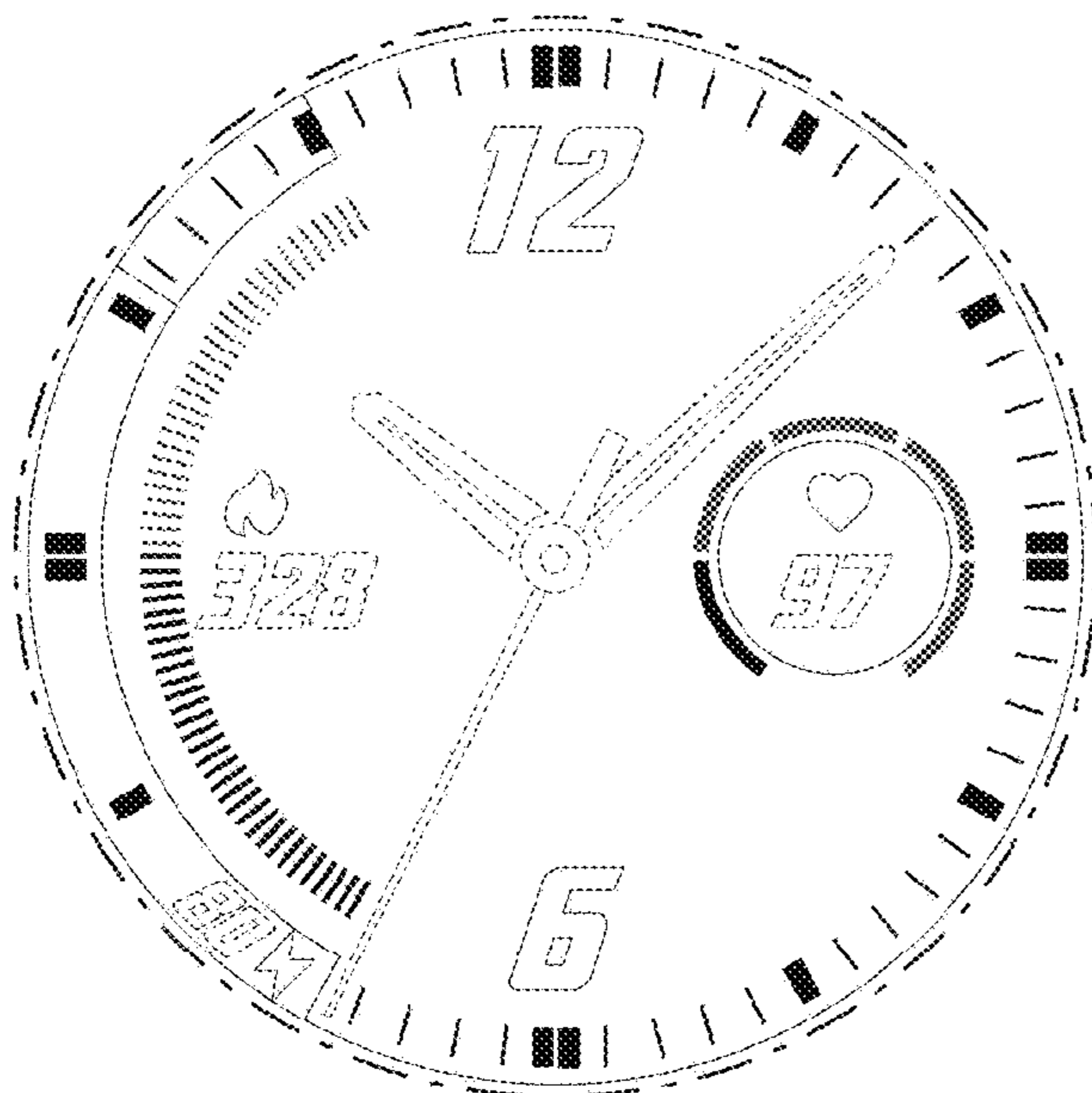
- D338,161 S * 8/1993 Kizaki D10/126
- D356,960 S * 4/1995 Courteault D10/39
- D549,598 S * 8/2007 Yoshikawa D10/32
- D630,642 S * 1/2011 Berg D14/486
- D665,161 S * 8/2012 Leifeld D3/203.2

(Continued)

OTHER PUBLICATIONS

“23 Smartwatch UI Designs & Concepts.” CSS Design Awards, published Sep. 13, 2014 (Retrieved from the Internet Feb. 5, 2021).

1 Claim, 8 Drawing Sheets



(56)

References Cited

U.S. PATENT DOCUMENTS

D801,369 S * 10/2017 Chaudhri D14/486
D801,389 S * 10/2017 Jung D14/492
D810,110 S * 2/2018 Dye D14/486
D858,553 S * 9/2019 Chaudhri H04M 1/72451
D14/486
D874,513 S * 2/2020 Whitmore D14/488
D888,077 S * 6/2020 Lee D14/485
D902,748 S * 11/2020 Torres D10/39
D910,654 S * 2/2021 Eder D14/485
2019/0339860 A1 * 11/2019 Chen H04M 1/72451

OTHER PUBLICATIONS

Langley, Hugh. "The best Samsung Gear S3 watch faces." Wareable, published Mar. 8, 2018 (Retrieved from the Internet Feb. 9, 2021). Internet URL: <<https://www.wareable.com/samsung/best-samsung-gear-s3-watch-faces-2454>> (Year: 2018).*

Hall, Zac. "Review: Apple Watch Series 4 . . ." 9to5Mac, published Dec. 7, 2018 (Retrieved from the Internet Feb. 9, 2021). Internet URL: <<https://9to5mac.com/2018/12/07/apple-watch-series-4-review-2/>> (Year: 2018).*

* cited by examiner

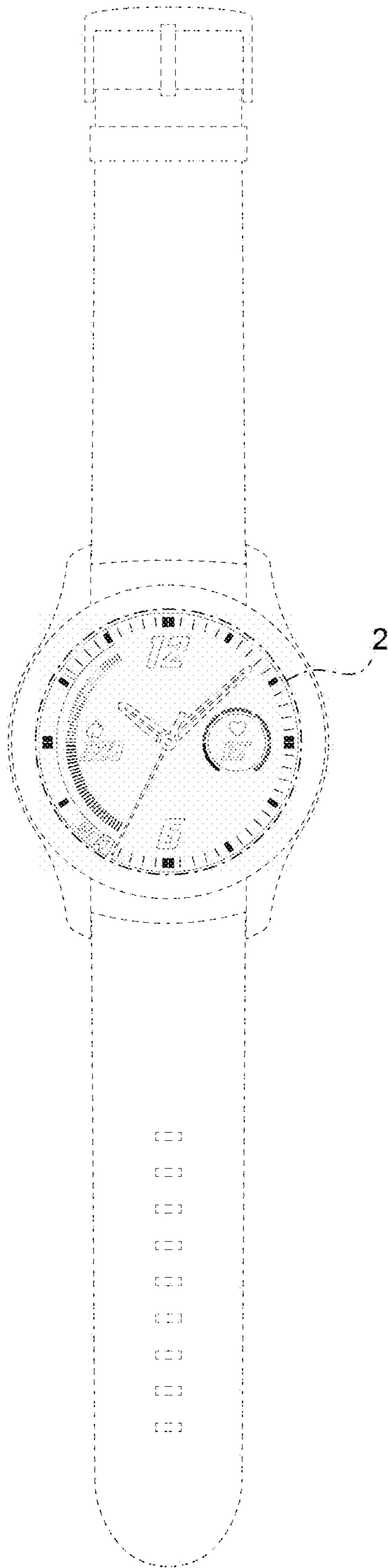


FIG. 1



FIG. 2

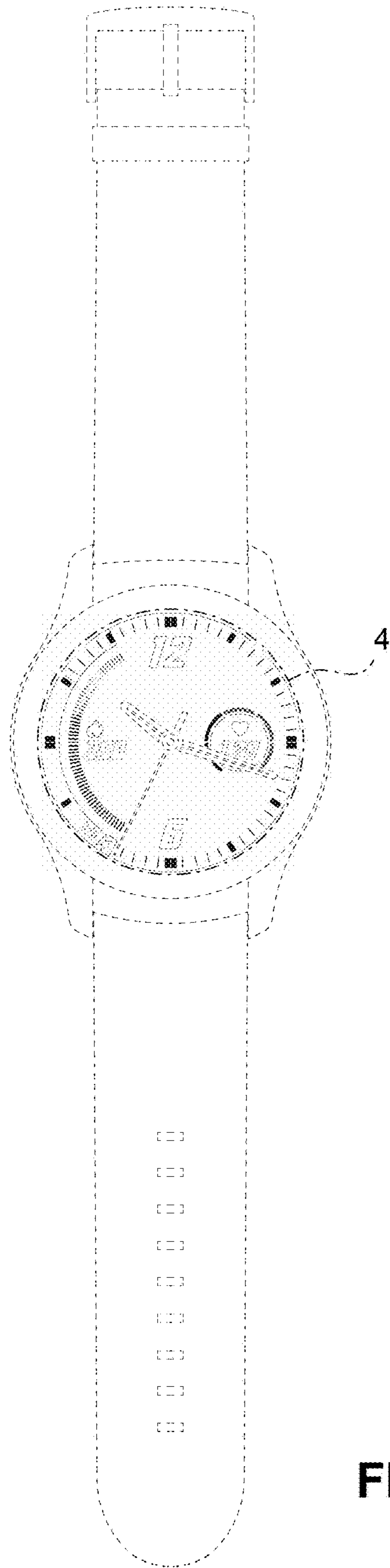


FIG. 3



FIG. 4

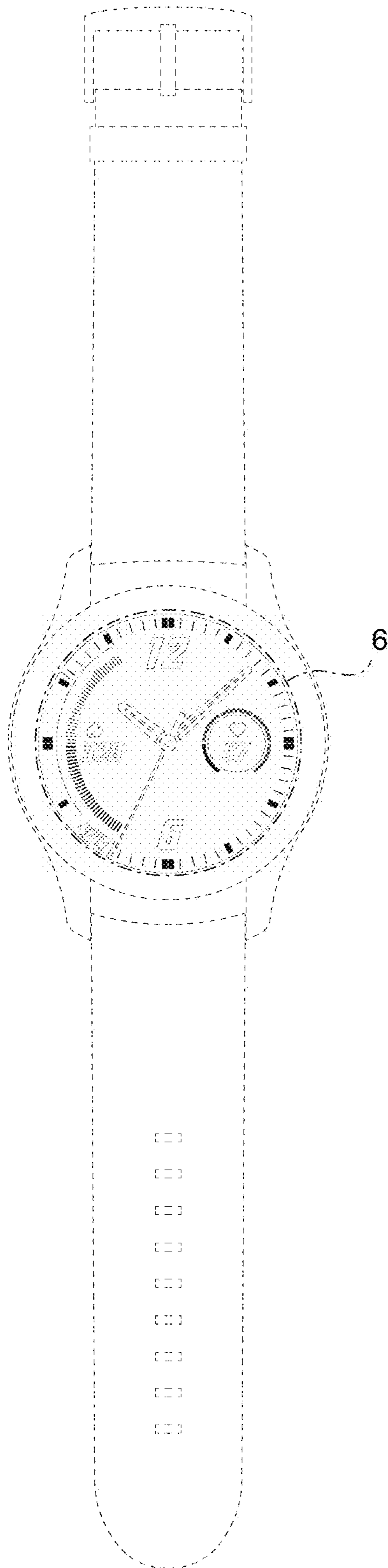


FIG. 5



FIG. 6

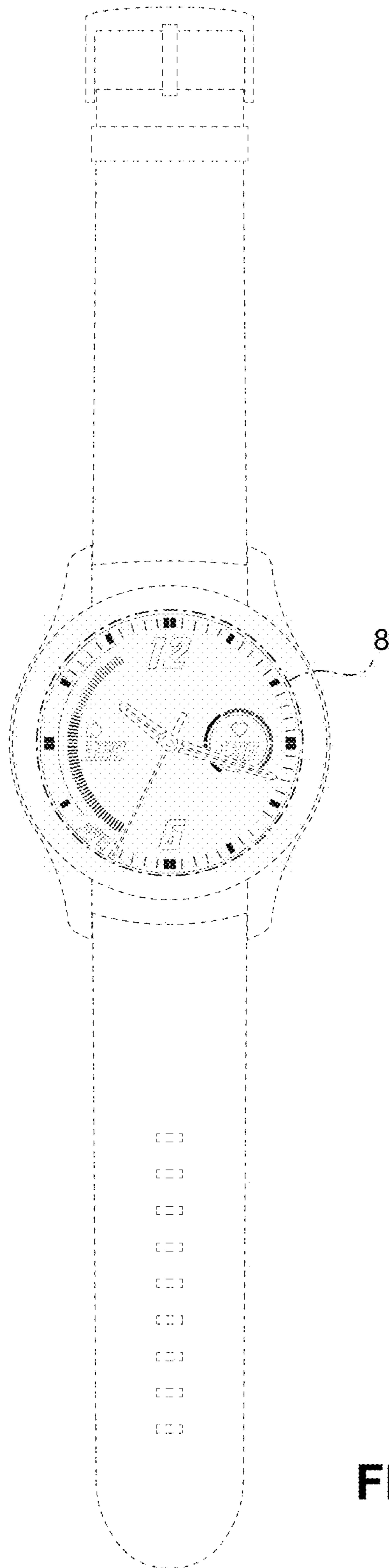


FIG. 7

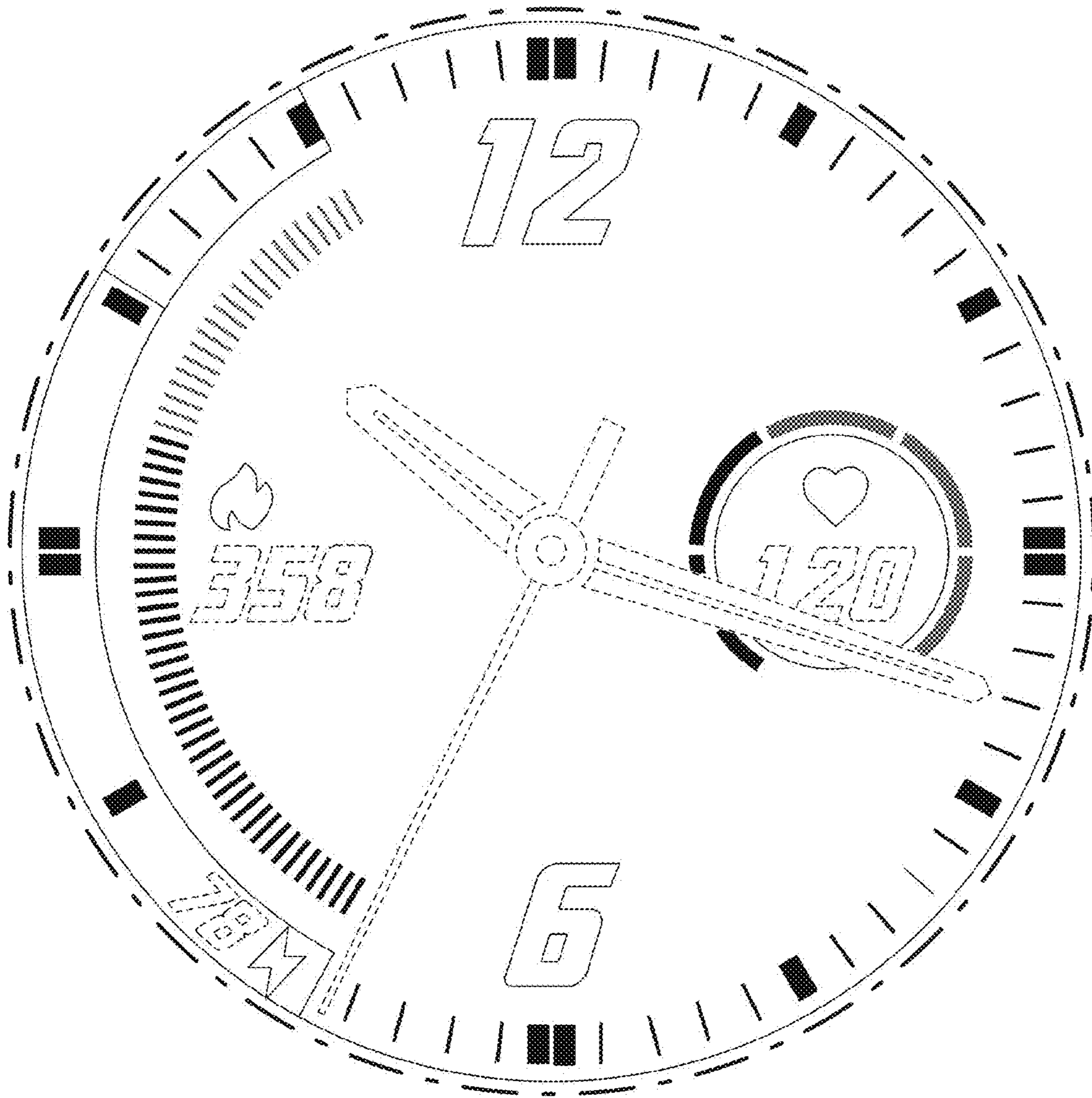


FIG. 8