



US00D929423S

(12) **United States Design Patent**  
**Luo et al.**

(10) **Patent No.: US D929,423 S**

(45) **Date of Patent: \*\* Aug. 31, 2021**

(54) **ELECTRONIC DISPLAY FOR A WEARABLE DEVICE PRESENTING A GRAPHICAL USER INTERFACE**

<<https://dribbble.com/shots/2202958-Fitness-tracker-app>> (Year: 2015).\*

(Continued)

(71) Applicant: **HUAWEI TECHNOLOGIES CO., LTD.**, Shenzhen (CN)

*Primary Examiner* — Rachel A. Voorhies

(72) Inventors: **Long Luo**, Shenzhen (CN); **Guyu Xie**, Shenzhen (CN)

(57) **CLAIM**

(73) Assignee: **HUAWEI TECHNOLOGIES CO., LTD.**, Shenzhen (CN)

The ornamental design for an electronic display for a wearable device presenting a graphical user interface, as shown and described.

(\*\*) Term: **15 Years**

**DESCRIPTION**

(21) Appl. No.: **29/726,113**

(22) Filed: **Feb. 28, 2020**

(30) **Foreign Application Priority Data**

Aug. 31, 2019 (CN) ..... 201930478990.3

(51) **LOC (13) Cl.** ..... **14-04**

(52) **U.S. Cl.**  
USPC ..... **D14/485**

(58) **Field of Classification Search**  
USPC ..... D14/344, 485-495; D10/32, 39  
CPC ..... G06F 1/163  
See application file for complete search history.

(56) **References Cited**

U.S. PATENT DOCUMENTS

D439,847 S \* 4/2001 Perkins ..... D10/1  
D691,171 S \* 10/2013 Brinda ..... D14/488  
D708,966 S \* 7/2014 Lasserre ..... D10/39  
D719,180 S \* 12/2014 Liang ..... D14/486  
D779,516 S \* 2/2017 Pierson ..... D14/486

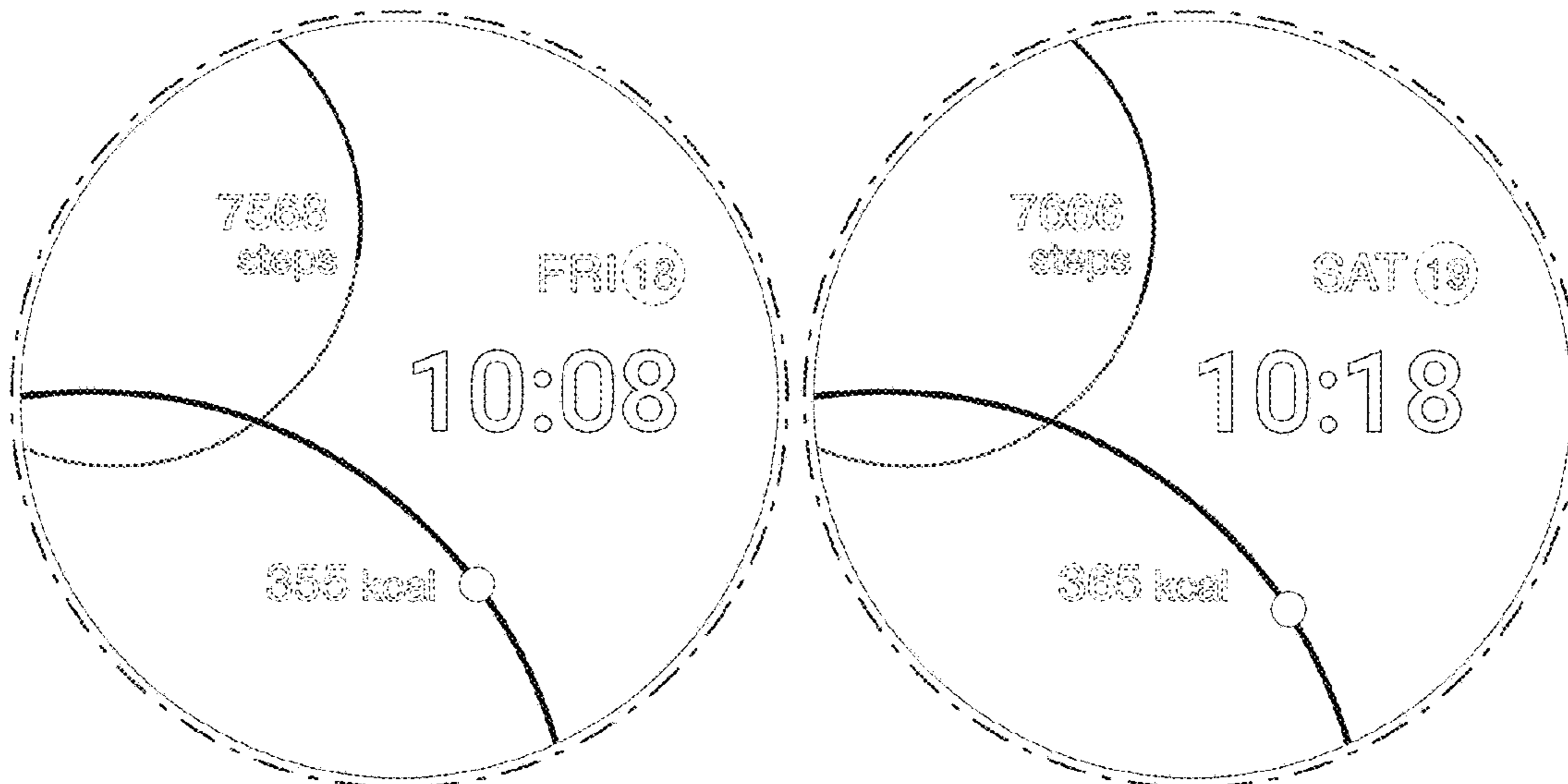
(Continued)

OTHER PUBLICATIONS

Fireart Studio. "Fitness tracker app." Dribbble, published Aug. 19, 2015 (Retrieved from the Internet Feb. 11, 2021). Internet URL:

FIG. 1 is a front view of a first image of an embodiment of an electronic display for a wearable device presenting a graphical user interface, showing our new design; FIG. 2 is an enlarged front view taken from FIG. 1; FIG. 3 is a front view of a second image thereof; FIG. 4 is an enlarged front view taken from FIG. 3; FIG. 5 is a front view of a first image of another embodiment of an electronic display for a wearable device presenting a graphical user interface, showing our new design; FIG. 6 is an enlarged front view taken from FIG. 5; FIG. 7 is a front view of a second image of said another embodiment; and, FIG. 8 is an enlarged front view taken from FIG. 7. The broken line showing of the electronic display for a wearable device presenting a graphical user interface is for the purpose of illustrating portions of the electronic display for a wearable device presenting a graphical user interface and forms no part of the claimed design. The dot-dash broken line encircling the enlarged portions forms no part of the claimed design. The appearance of the graphical user interface transitions sequentially between the images shown in FIGS. 1 and 3, FIGS. 2 and 4, FIGS. 5 and 7, and FIGS. 6 and 8. The process or period in which one image transitions to another forms no part of the claimed design.

**1 Claim, 8 Drawing Sheets**



(56)

**References Cited**

U.S. PATENT DOCUMENTS

D785,017 S \* 4/2017 Wang ..... G06Q 10/0631  
D14/486  
D818,488 S \* 5/2018 Frazier ..... D14/488  
D823,879 S \* 7/2018 Brigham ..... D14/486  
D831,693 S \* 10/2018 Hong ..... D14/486  
D834,054 S \* 11/2018 Gibson ..... D14/486  
D870,125 S \* 12/2019 Shim ..... D14/485  
D910,654 S \* 2/2021 Eder ..... D14/485  
D916,903 S \* 4/2021 Arena ..... D14/490  
2013/0198691 A1 \* 8/2013 Akita ..... G06Q 10/0631  
715/834  
2013/0227450 A1 \* 8/2013 Na ..... G06F 3/048  
715/764  
2015/0186017 A1 \* 7/2015 Lee ..... H04M 1/67  
715/771  
2017/0329477 A1 \* 11/2017 Sachidanandam .....  
G06F 16/9535

OTHER PUBLICATIONS

Kshirsagar, Mayur. "Minimalistic Fitness Tracking App." Dribbble, published Jul. 23, 2017 (Retrieved from the Internet Feb. 11, 2021). Internet URL: <<https://dribbble.com/shots/3679014-Minimalistic-Fitness-Tracking-App>> (Year: 2017).\*

\* cited by examiner

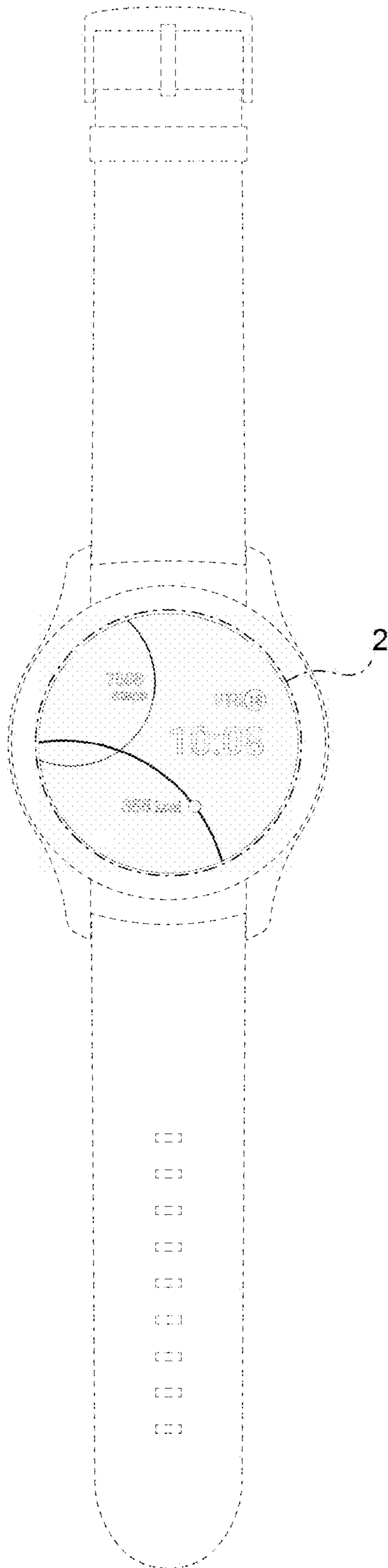


FIG. 1

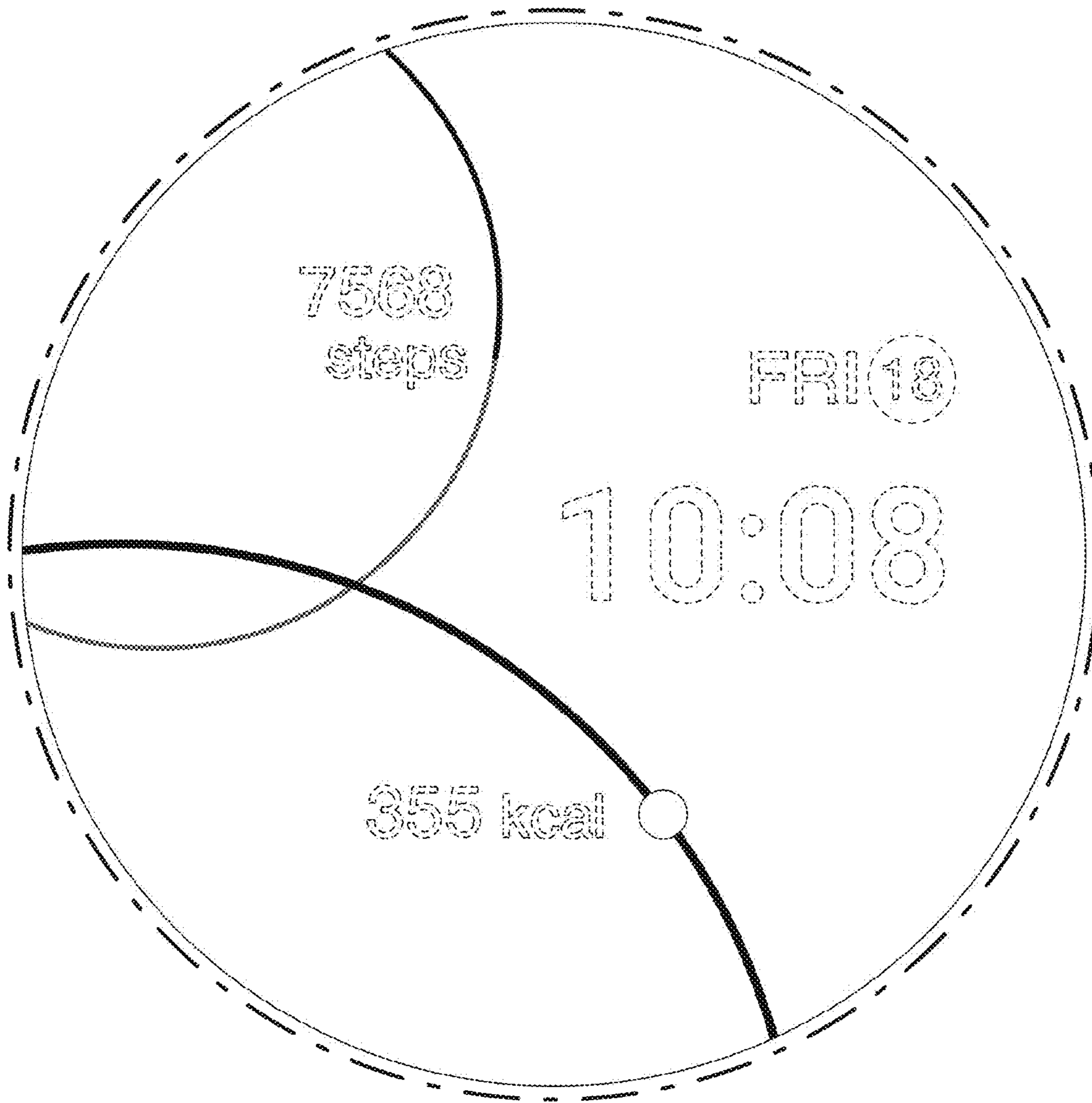
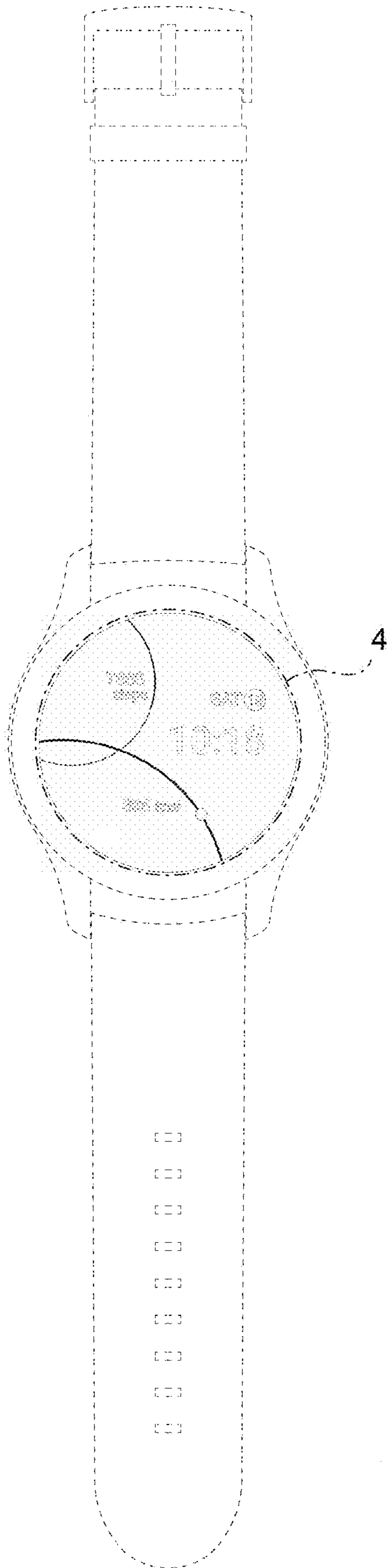


FIG. 2



**FIG. 3**



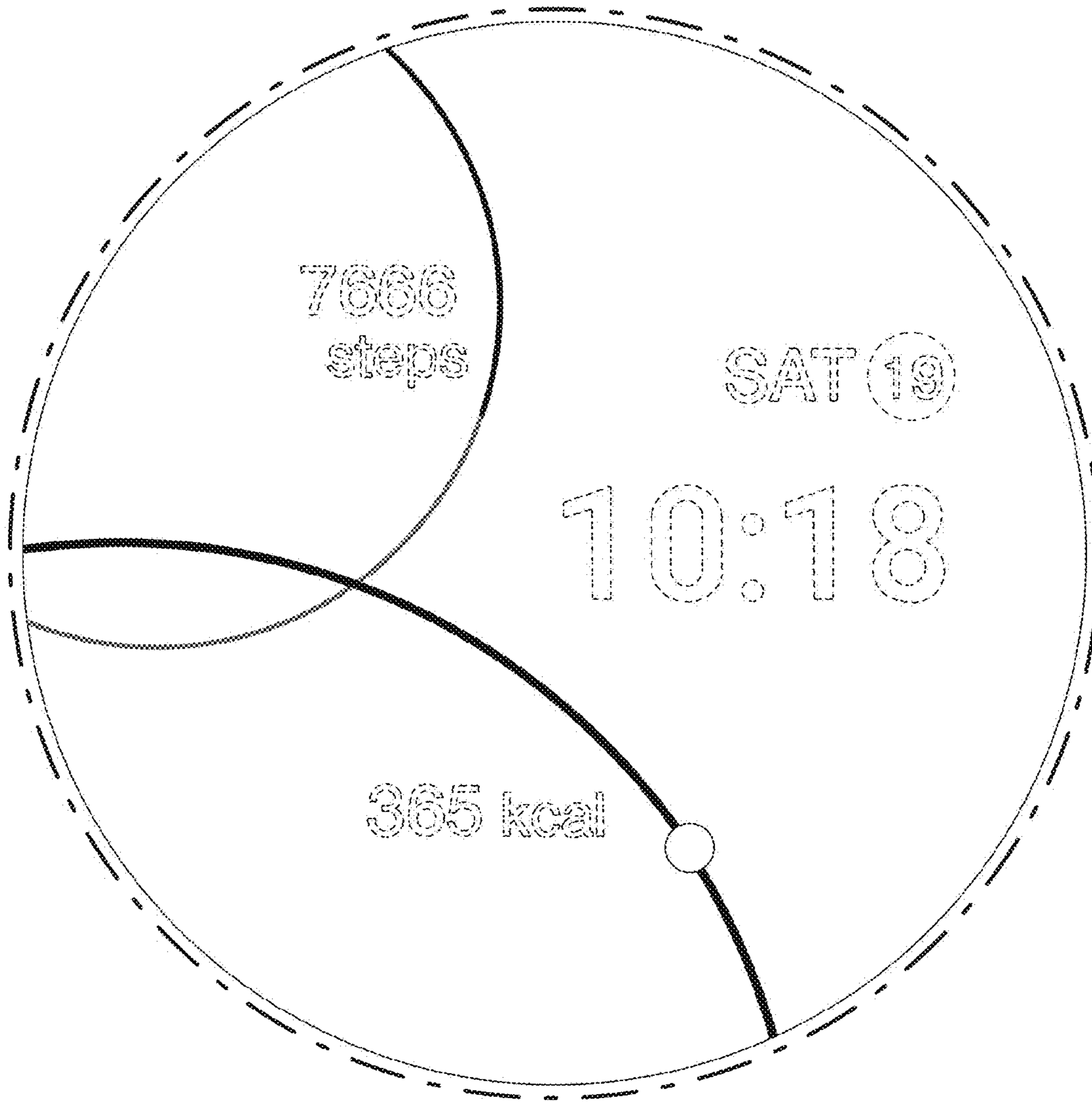


FIG. 4

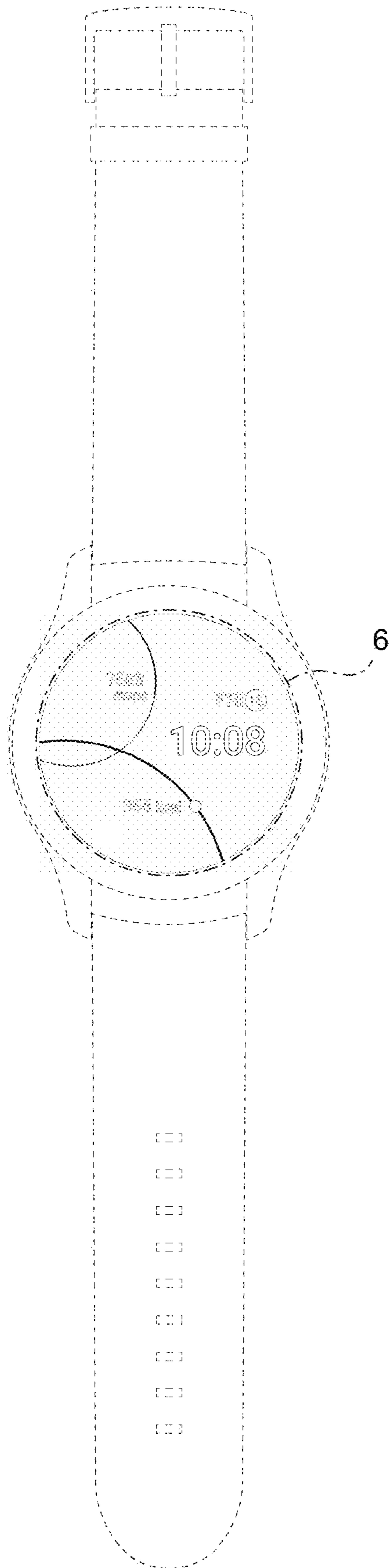


FIG. 5

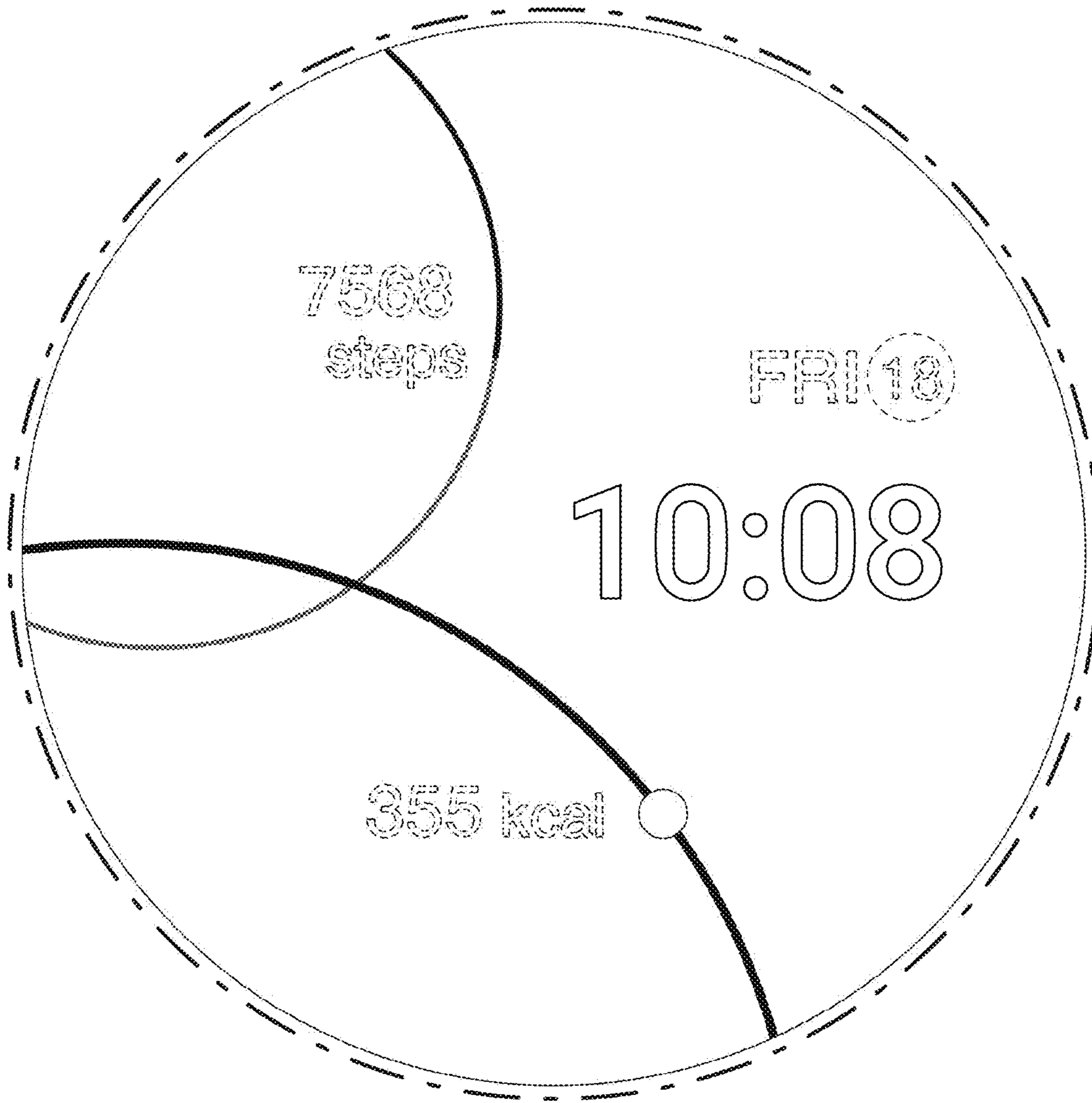


FIG. 6



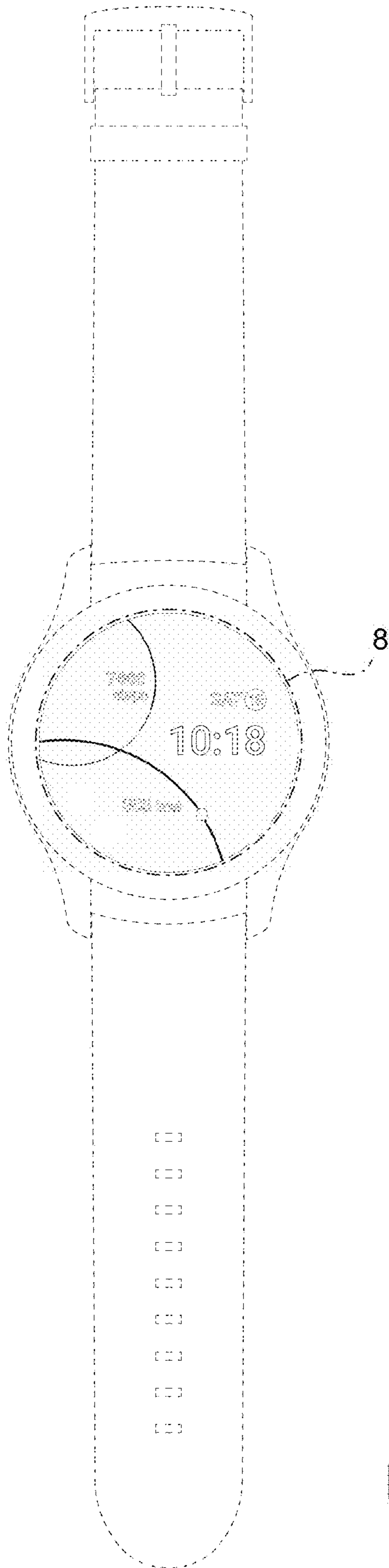


FIG. 7

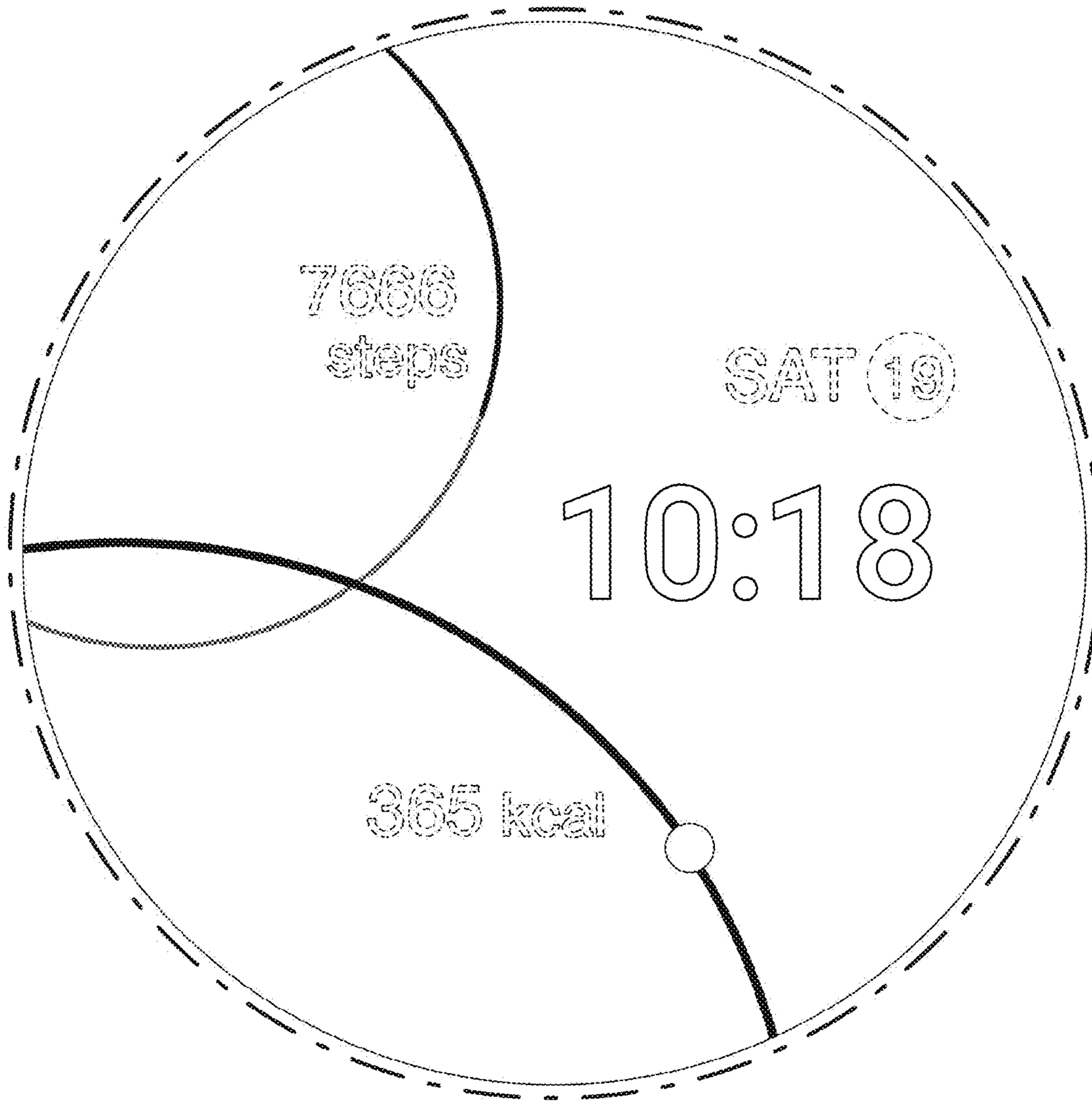


FIG. 8