



US00D929410S

(12) **United States Design Patent** (10) **Patent No.:** **US D929,410 S**
Ho (45) **Date of Patent:** **** Aug. 31, 2021**

(54) **KEYBOARD TRAY**

(71) Applicant: **AIDATA CORP. LTD.**, New Taipei (TW)

(72) Inventor: **Chi-Pei Ho**, New Taipei (TW)

(73) Assignee: **Aidata Corp. Ltd.**, New Taipei (TW)

(**) Term: **15 Years**

(21) Appl. No.: **29/685,075**

(22) Filed: **Mar. 26, 2019**

(51) **LOC (13) Cl.** **14-02**

(52) **U.S. Cl.**
USPC **D14/457**

(58) **Field of Classification Search**
USPC D14/203.4, 203.6, 247, 345-346,
D14/315-327, 391-399, 434, 455-457,
(Continued)

(56) **References Cited**

U.S. PATENT DOCUMENTS

D33,263 S * 9/1900 Arnold D7/698
4,155,312 A * 5/1979 Thorkildson A47B 45/00
108/102

(Continued)

FOREIGN PATENT DOCUMENTS

KR 300292236.0000 * 5/2002 D2/390
KR 300638651.0000 * 3/2012

OTHER PUBLICATIONS

KB-4080 Desk Clamp Tilting Keyboard Tray, Aidata, aidata.org, author and date not listed © 2016 Aidata, online, site visited Mar. 22, 2020. Available from Internet, URL: <https://www.aidata.com/page/353> (Year: 2020).*

(Continued)

Primary Examiner — Marissa J Cash
Assistant Examiner — Altaira J Swangin

(74) *Attorney, Agent, or Firm* — Alan D. Kamrath; Karin L. Williams; Mayer & Williams PC

(57) **CLAIM**

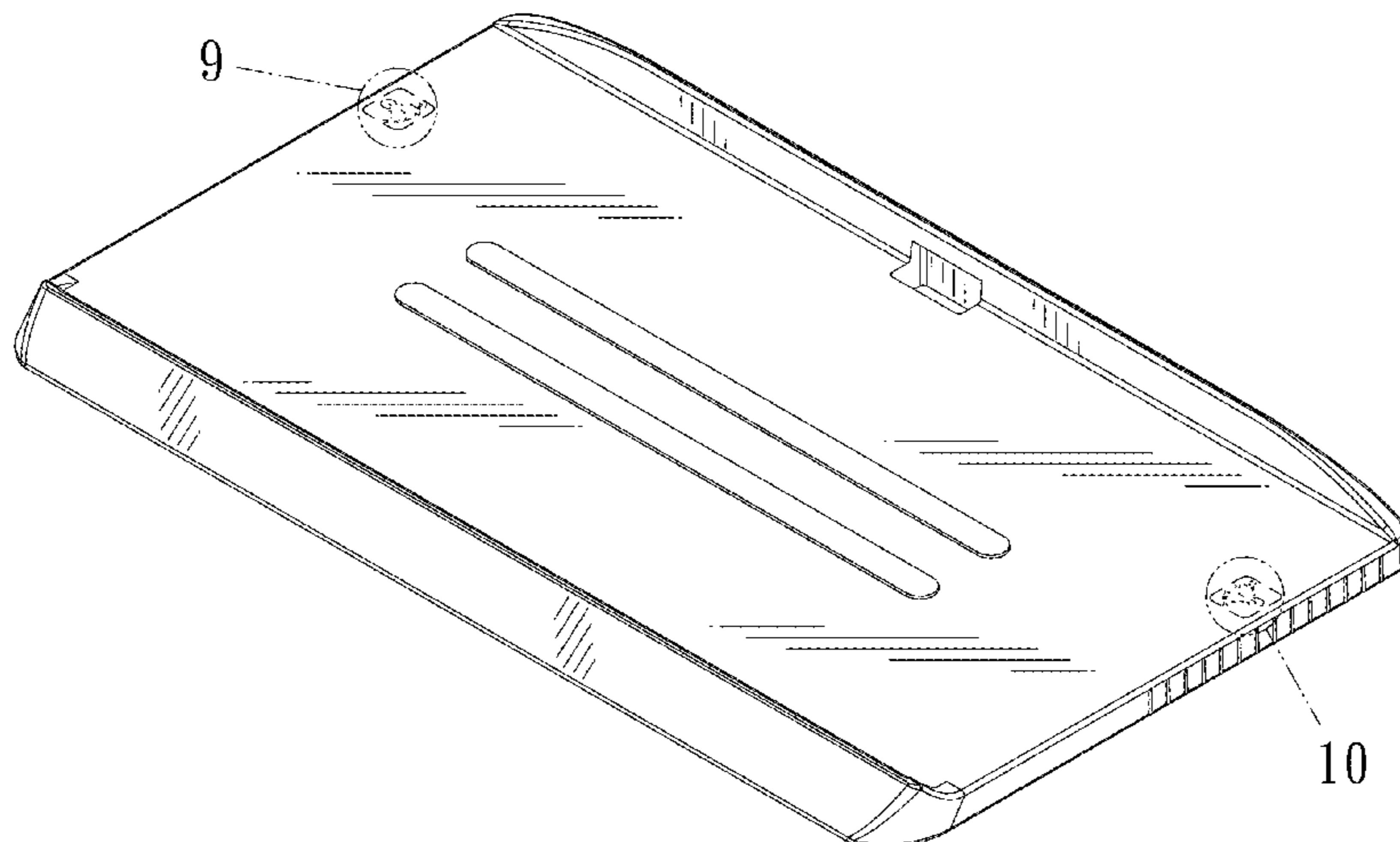
The ornamental design for a keyboard tray, as shown and described.

DESCRIPTION

FIG. 1 is a front side perspective view of a keyboard tray showing my design;
FIG. 2 is a rear side perspective view of the keyboard tray as shown in FIG. 1;
FIG. 3 is a front elevational view of the keyboard tray as shown in FIG. 1;
FIG. 4 is a rear elevational view of the keyboard tray as shown in FIG. 1;
FIG. 5 is a left side elevational view of the keyboard tray as shown in FIG. 1;
FIG. 6 is a right side elevational view of the keyboard tray as shown in FIG. 1;
FIG. 7 is a top plan view of the keyboard tray as shown in FIG. 1;
FIG. 8 is a bottom plan view of the keyboard tray as shown in FIG. 1.
FIG. 9 is an enlarged view of the detail '9' seen in FIG. 1;
FIG. 10 is an enlarged view of the detail '10' seen in FIG. 1;
FIG. 11 is an enlarged view of the detail '11' seen in FIG. 2;
FIG. 12 is an enlarged view of the detail '12' seen in FIG. 2;
FIG. 13 is an enlarged view of the detail '13' seen in FIG. 7; and,
FIG. 14 is an enlarged view of the detail '14' seen in FIG. 7.

The broken lines shown in the drawings indicate portions of the keyboard tray which form no part of the claimed design. The dash-dot-dot lines, showing enlarged views, are for annotation purposes only and form no part of the claimed

(Continued)



design. The unshaded regions, between the solid and broken lines, form no part of the claimed design.

1 Claim, 14 Drawing Sheets

(58) Field of Classification Search

USPC D14/477, 507, 509, 150, 168, 331, 390, D14/401, 429; D18/1-2, 4.1-4.6, 7, 11; 235/145 A, 145 R; 341/22-23; 345/104, 345/156, 168-169, 173; 361/679.08, 361/679.09, 679.11, 679.26, 679.27; 708/142, 146; D21/324, 409, 512, 515; D11/132; D24/186; 400/489-490; 248/176.1, 298.1, 346.01; D6/705, 705.4, D6/705.7

CPC B41J 5/00; B41J 5/10; B41J 5/12; F16M 11/10; G06F 3/0219; G06F 3/02; A47B 2021/0321; A47B 2200/0088; A47B 88/447; A47B 88/919; A47B 21/0314

See application file for complete search history.

(56) References Cited

U.S. PATENT DOCUMENTS

D276,779 S * 12/1984 Gomez D6/567
 D288,097 S * 2/1987 Harter D14/457
 D357,910 S * 5/1995 Newhouse D14/461
 D365,732 S * 1/1996 Kellen D6/705.7
 D408,388 S * 4/1999 Wiggins D14/457
 6,032,912 A * 3/2000 Korn A47B 47/025
 211/135
 D427,573 S * 7/2000 Wiggins D14/457
 6,092,774 A * 7/2000 Choy A47B 21/0314
 248/176.1
 D447,145 S * 8/2001 Cooper D14/457
 6,296,216 B1 * 10/2001 Law A47B 17/033
 248/278.1
 D451,100 S * 11/2001 Brillhart D14/457

6,398,177 B1 * 6/2002 Yeh A47B 21/0314
 248/298.1
 D541,563 S * 5/2007 LaBonia, Jr. D6/705
 D637,599 S * 5/2011 Liao D14/447
 D688,671 S * 8/2013 Avganim D14/447
 D690,566 S * 10/2013 Bernheim D7/698
 8,582,296 B2 * 11/2013 Huang G06F 1/203
 361/695
 D699,245 S * 2/2014 Lee D14/447
 8,699,221 B2 * 4/2014 Huang G06F 1/1632
 165/120
 D724,876 S * 3/2015 Gokhale D6/705
 D733,155 S * 6/2015 van Hooff D14/447
 D755,188 S * 5/2016 Burmester D14/440
 D763,858 S * 8/2016 Fluckiger D14/440
 D801,094 S * 10/2017 Verna D6/705
 D804,228 S * 12/2017 Scherer D6/705
 D820,268 S * 6/2018 Ho D14/457
 D843,752 S * 3/2019 Sullins D6/406.5
 D861,403 S * 10/2019 Hurford D6/705
 D864,202 S * 10/2019 Mitchell D14/389
 D876,435 S * 2/2020 Mitchell D14/389
 D881,618 S * 4/2020 Schwarzmam D6/705
 2005/0285004 A1 * 12/2005 Elgie A47B 21/0314
 248/346.01
 2006/0237615 A1 * 10/2006 Thomas A47B 23/043
 248/346.01
 2010/0295434 A1 * 11/2010 Hightower A47B 88/43
 312/334.8
 2012/0145862 A1 * 6/2012 Peng G06F 1/187
 248/298.1
 2015/0282677 A1 * 10/2015 Gould A47K 5/05
 510/152
 2020/0187638 A1 * 6/2020 Ho A47B 88/447

OTHER PUBLICATIONS

Keyboard Tray with Clamp, ErgoActive, amazon.com, published by ErgoActive on Feb. 5, 2018 © 1996-2020 Amazon.com, LLC, online, site visited Mar. 22, 2020. Available from Internet, URL: <https://www.amazon.co.uk/ErgoActive-Keyboards-Installation-Office-School/dp/B07SR555SQ> (Year: 2018).*

* cited by examiner

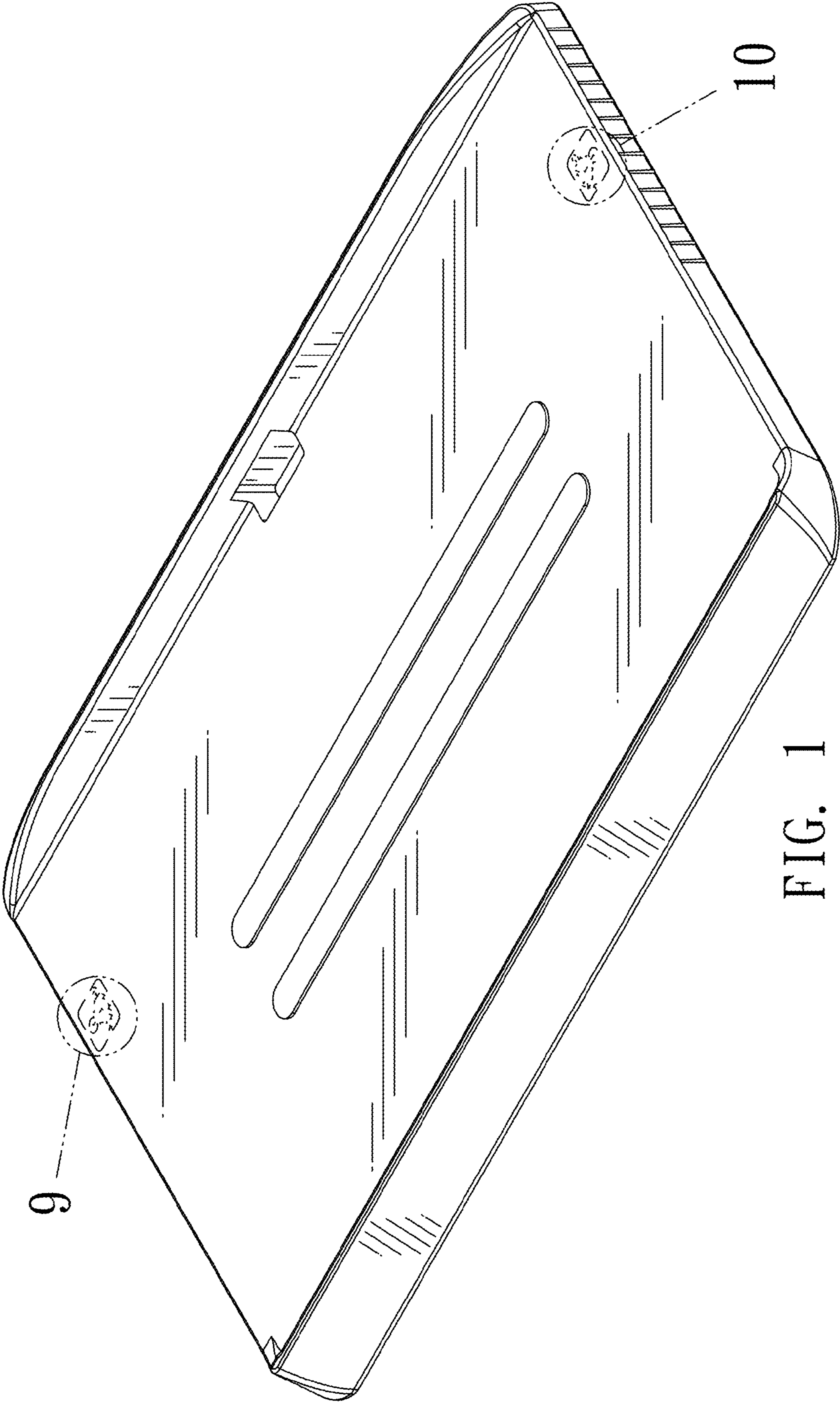


FIG. 1

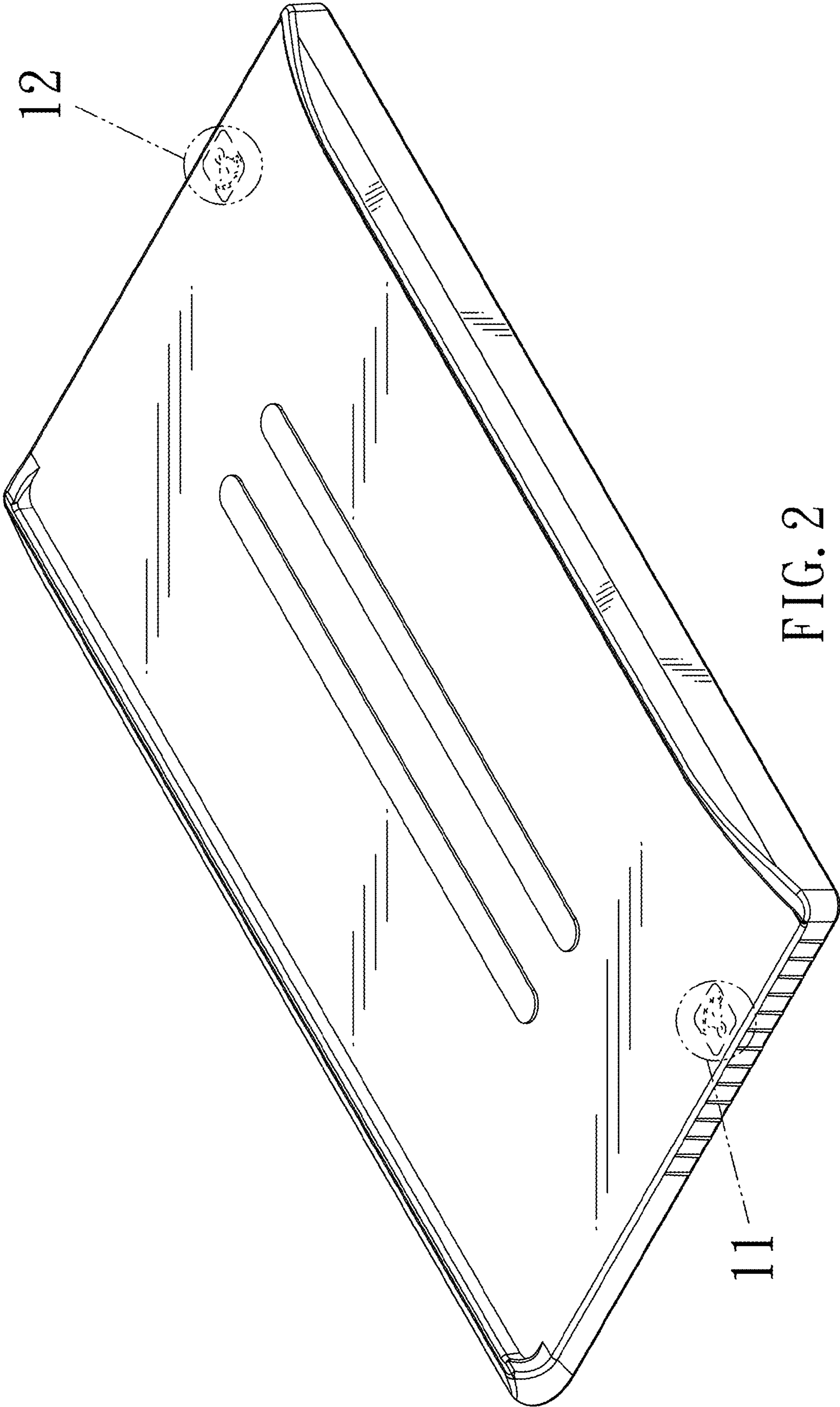


FIG. 2

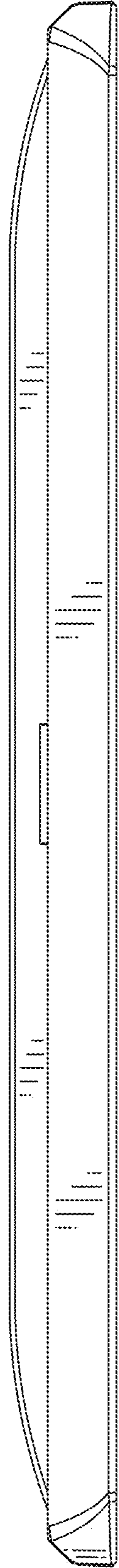


FIG. 3

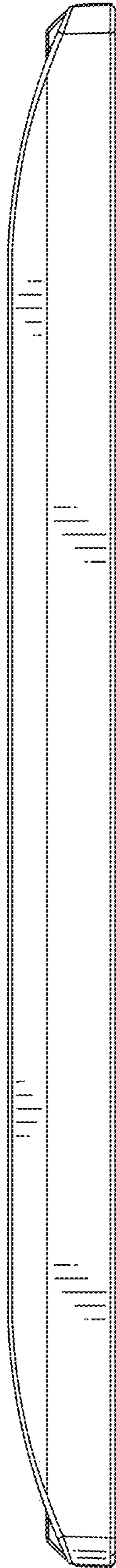


FIG. 4

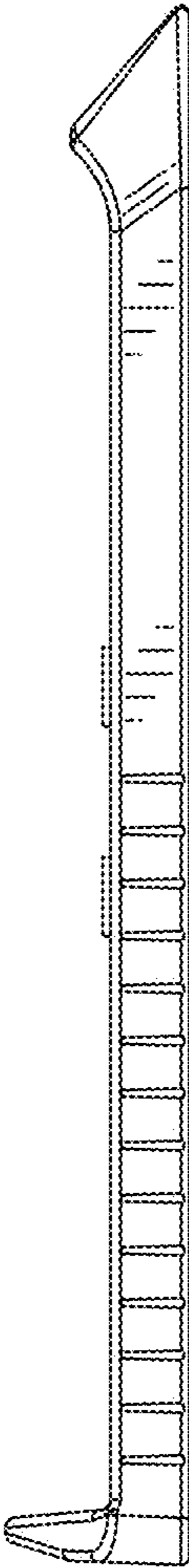


FIG. 5

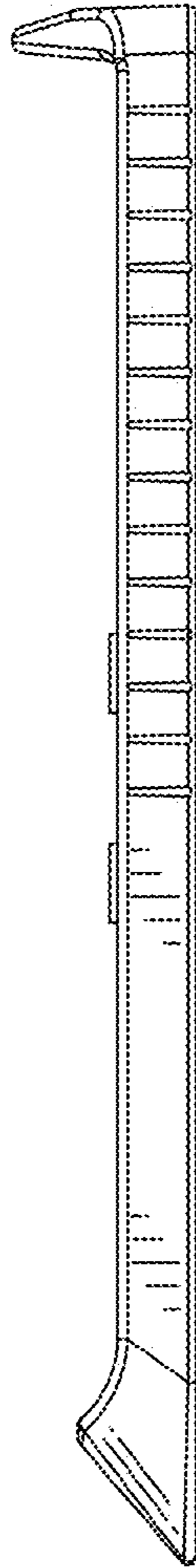


FIG. 6

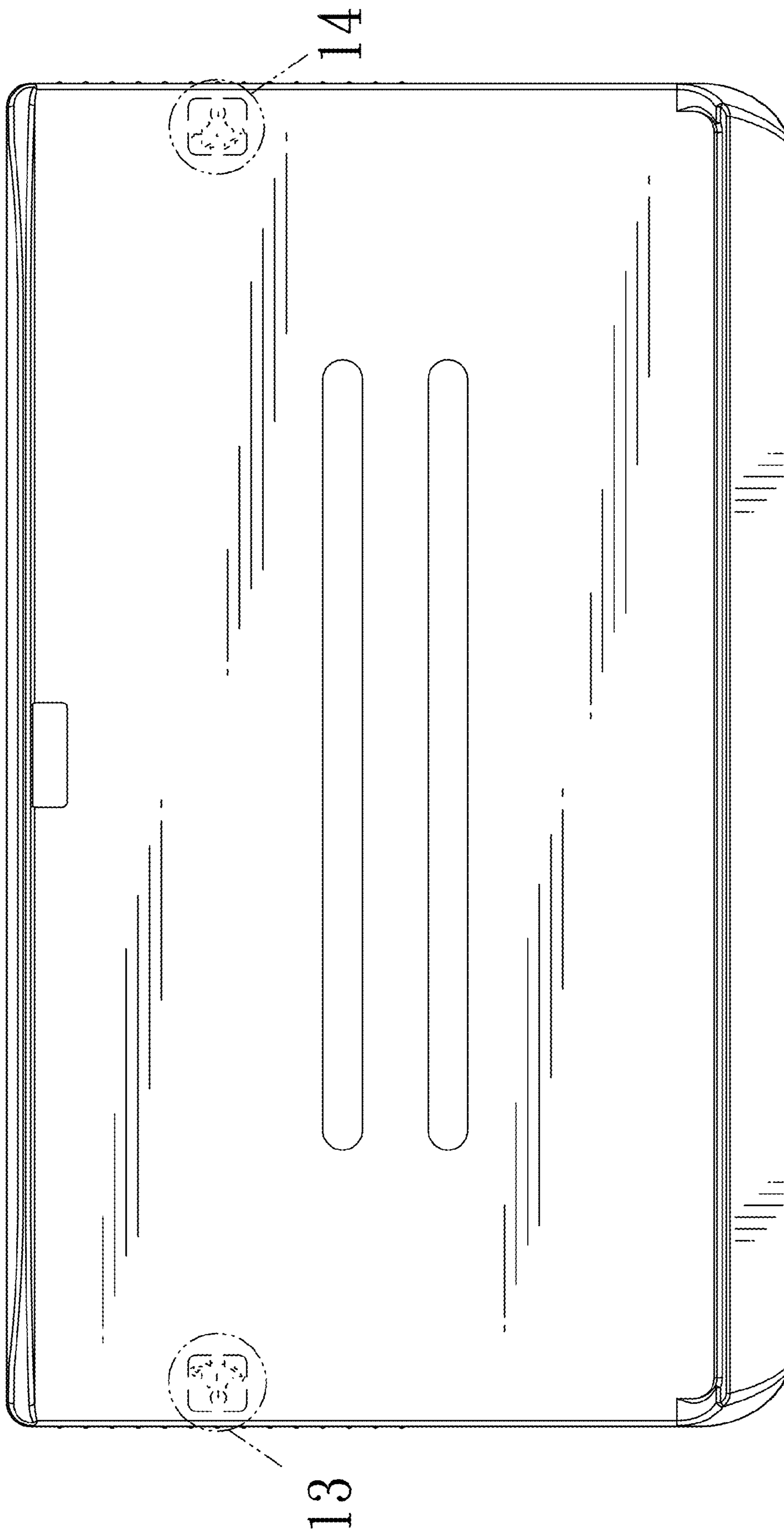


FIG. 7

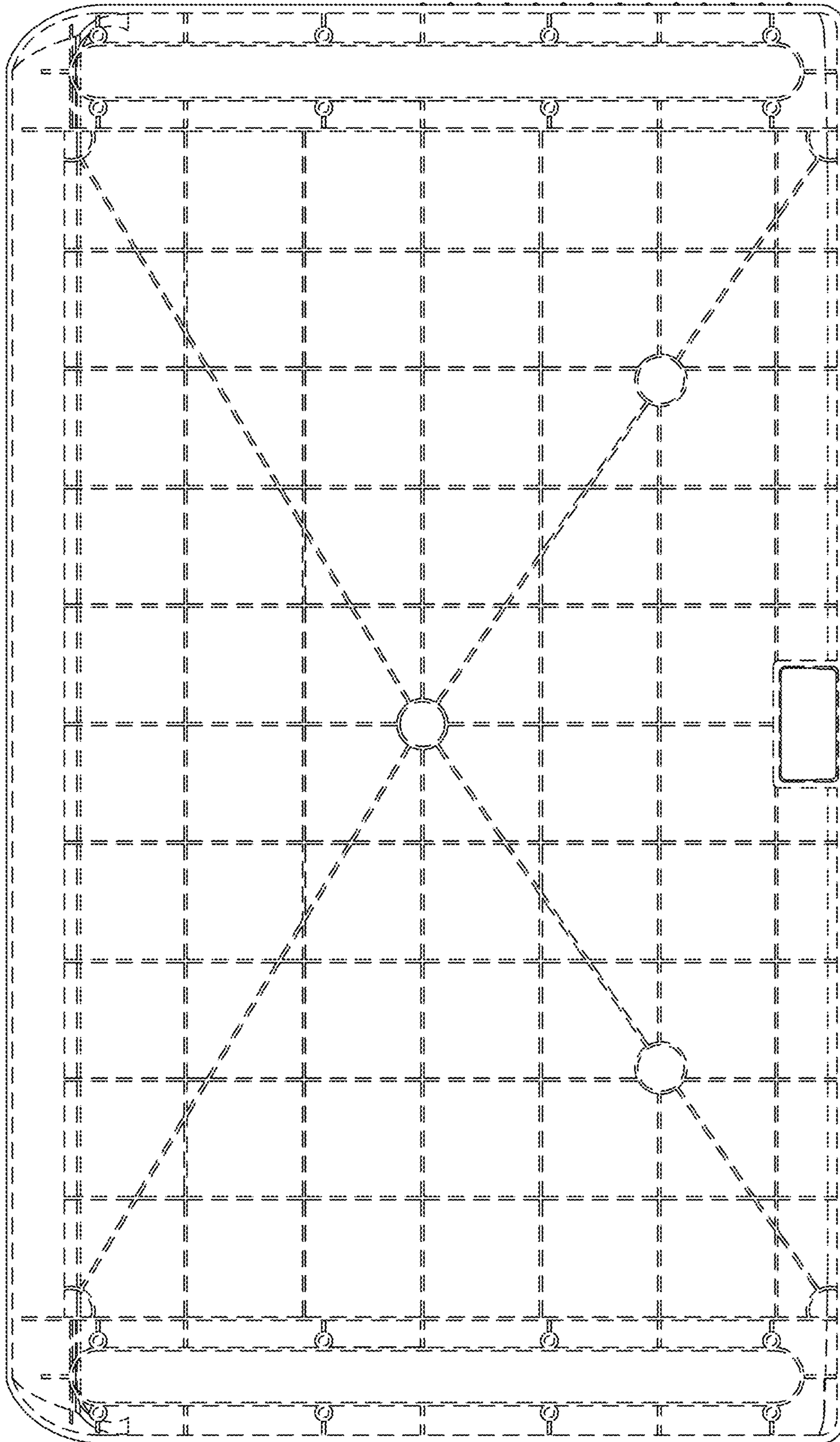


FIG. 8

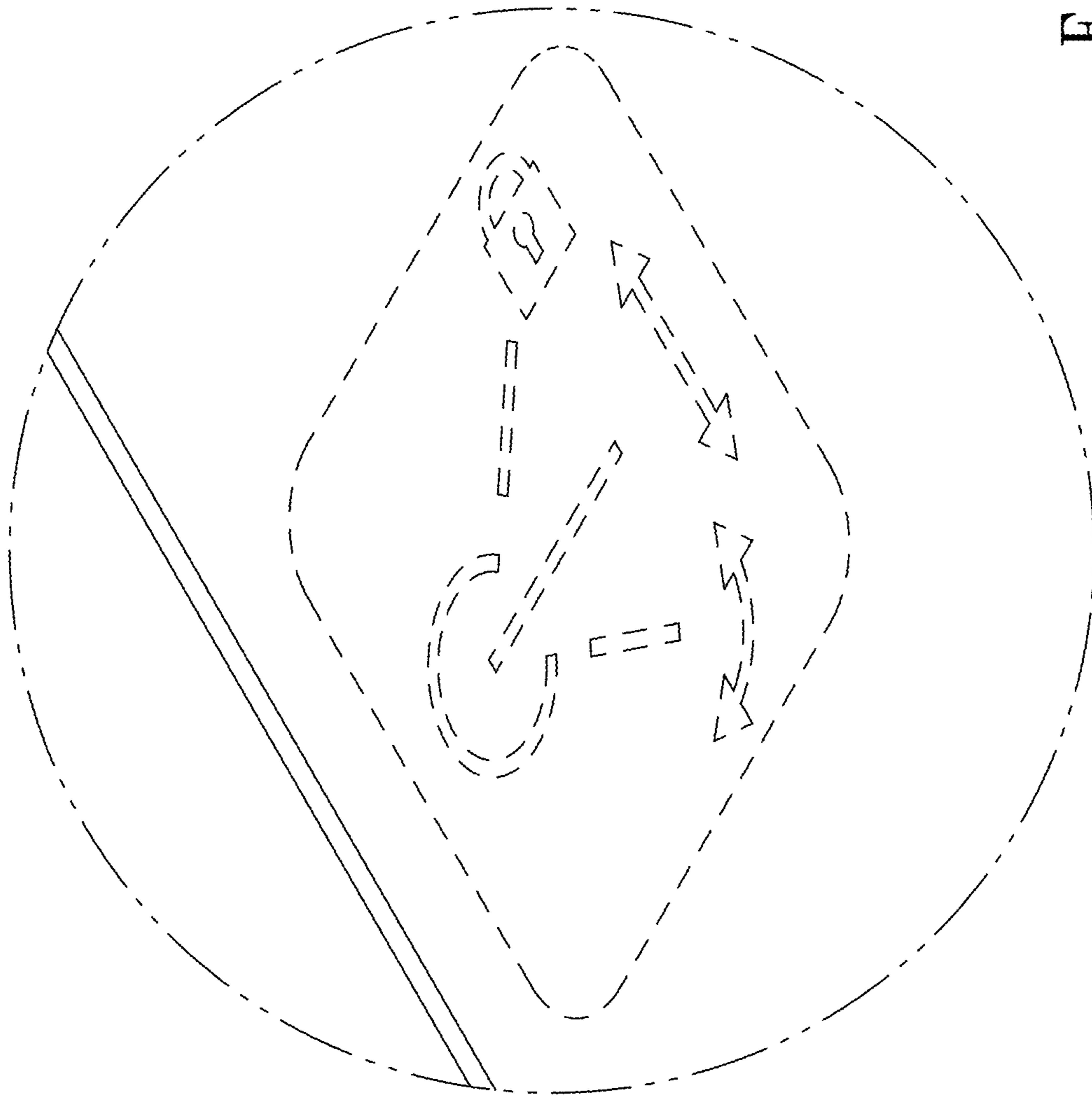


FIG. 9

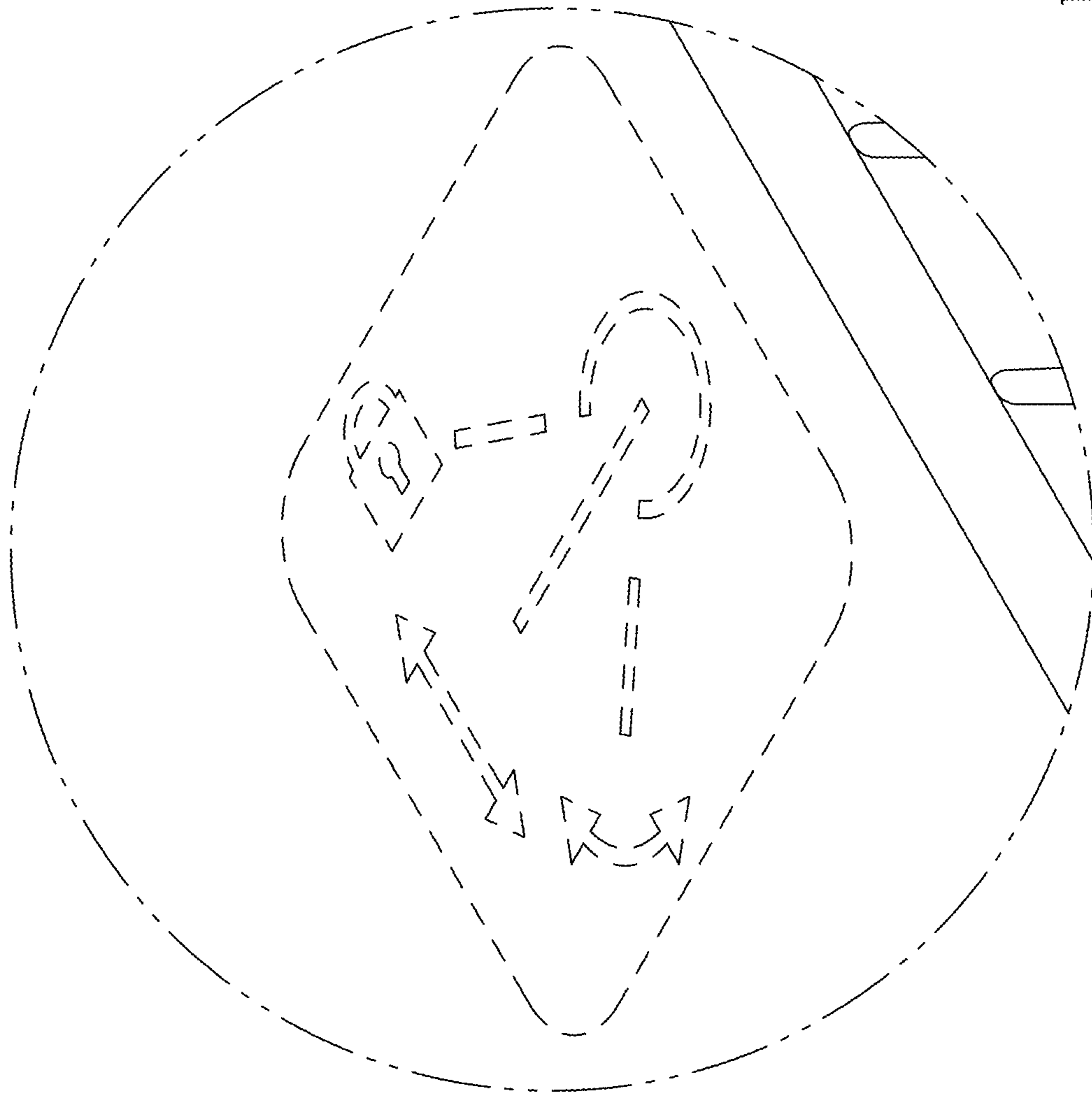


FIG. 10

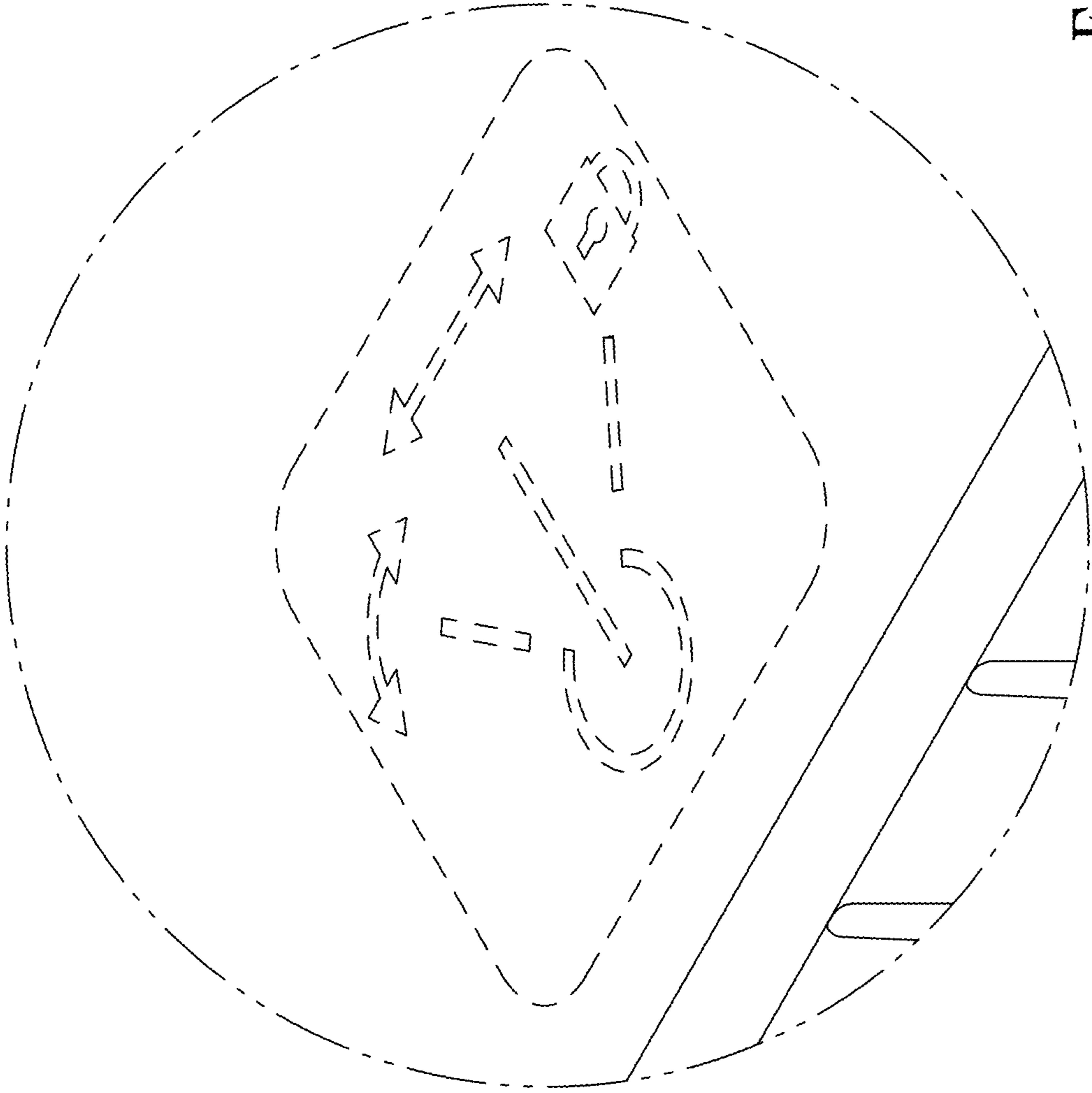


FIG. 11

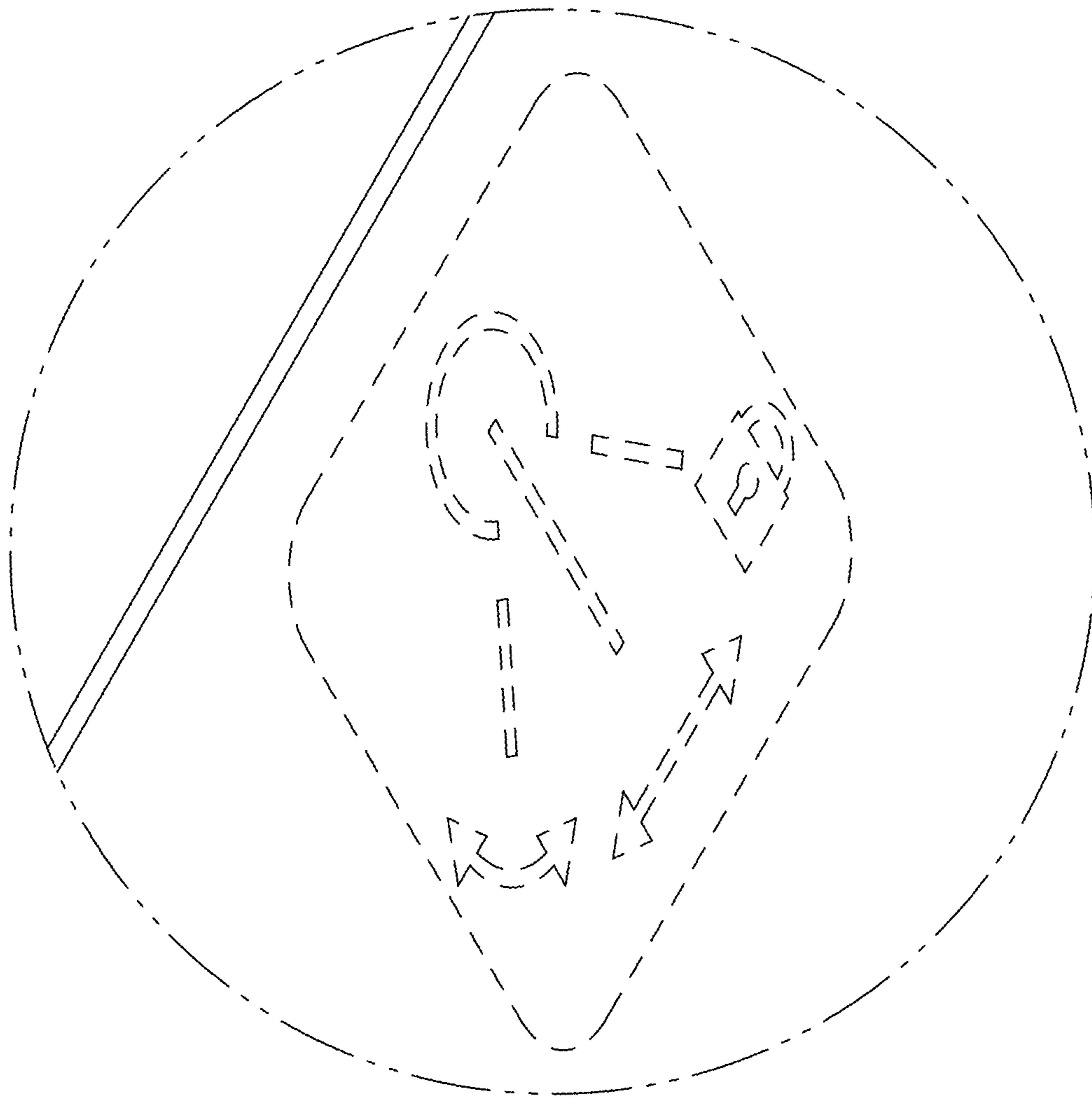


FIG. 12

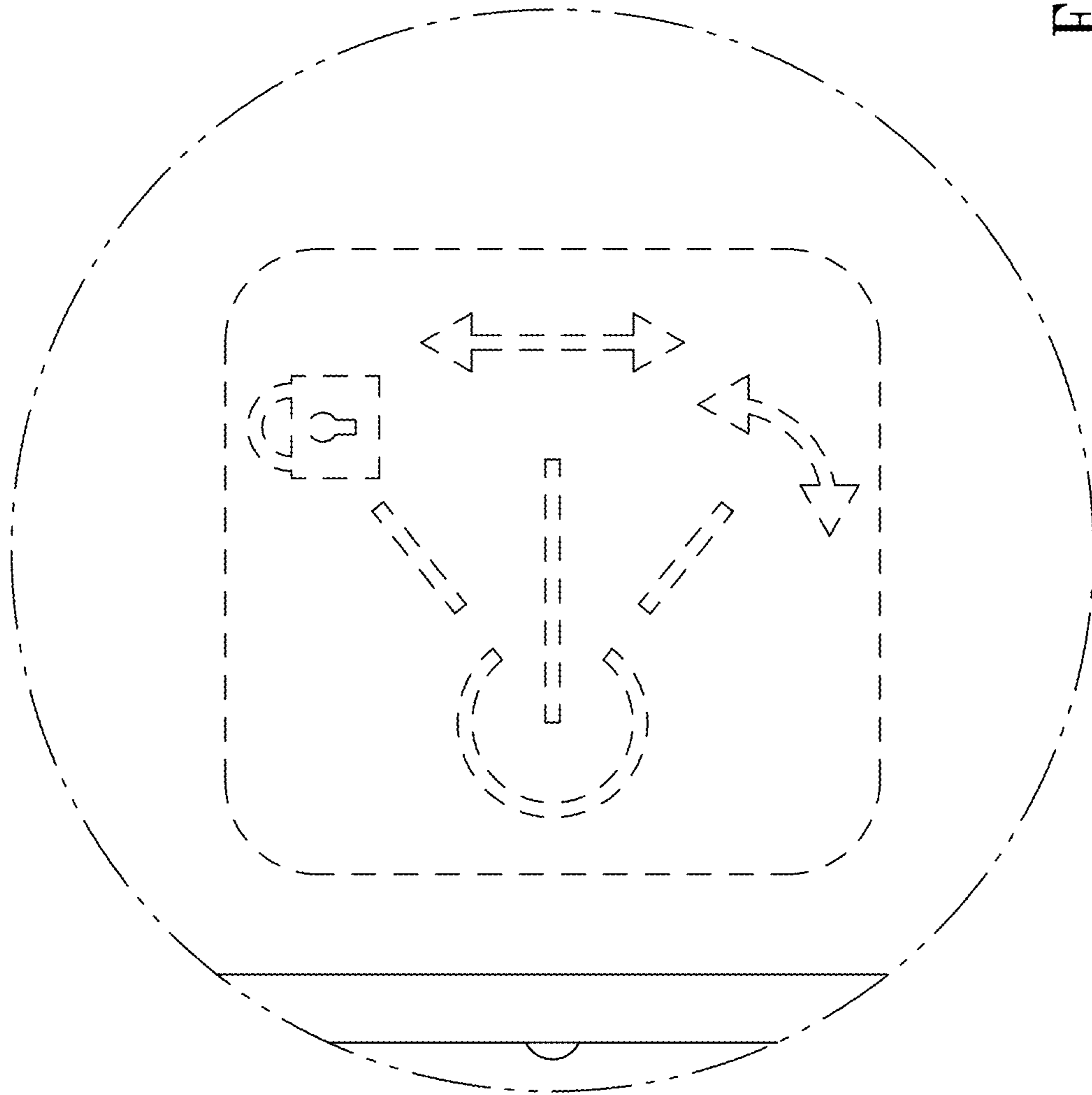


FIG. 13

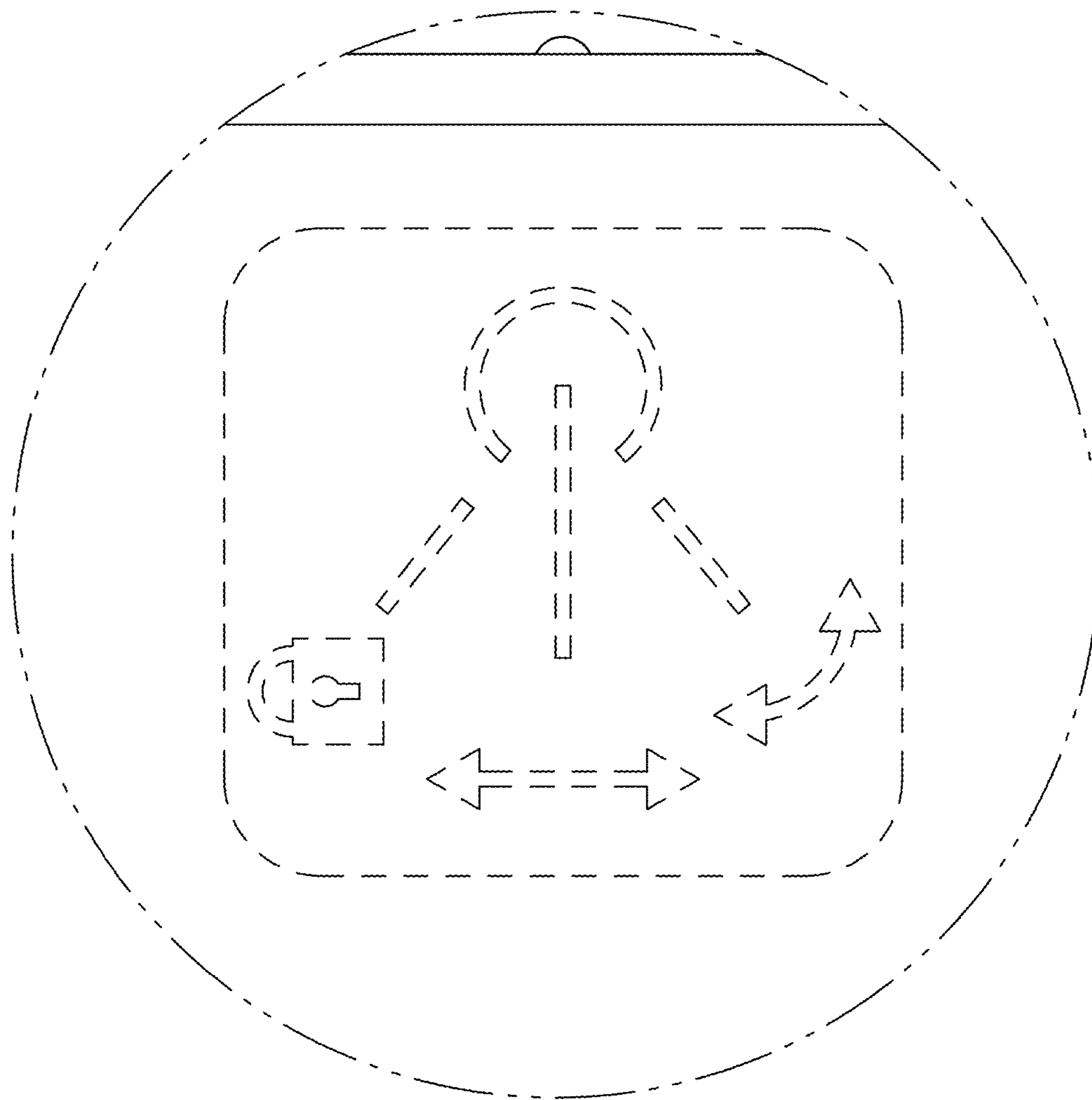


FIG. 14