



US00D929409S

(12) **United States Design Patent** (10) **Patent No.:** **US D929,409 S**
Seo et al. (45) **Date of Patent:** **** Aug. 31, 2021**

(54) **STAND FOR TELEVISION RECEIVER**

CPC G06F 1/1601; G06F 1/1605; G06F 1/162
See application file for complete search history.

(71) Applicant: **LG ELECTRONICS INC.**, Seoul (KR)

(56) **References Cited**

(72) Inventors: **Youngkook Seo**, Seoul (KR); **Yooseok Kim**, Seoul (KR); **Younghun Jang**, Seoul (KR); **Jaeneung Jung**, Seoul (KR)

U.S. PATENT DOCUMENTS

(73) Assignee: **LG ELECTRONICS INC.**, Seoul (KR)

D203,118 S *	12/1965	Timmerman	D6/709
D278,012 S *	3/1985	Doerner	D6/610
D644,459 S *	9/2011	Babick	D6/709
D700,170 S *	2/2014	Choi	D14/239
D700,187 S *	2/2014	Lee	D14/451
D763,609 S *	8/2016	Copier	D6/709
D782,431 S *	3/2017	Lee	D14/126
D788,749 S *	6/2017	Lee	D14/239
D788,750 S *	6/2017	Choi	D14/239
D793,402 S *	8/2017	Kwon	D14/451
D794,620 S *	8/2017	Lee	D14/239

(**) Term: **15 Years**

(Continued)

(21) Appl. No.: **35/509,645**

OTHER PUBLICATIONS

(22) Filed: **Dec. 18, 2019**

Universal TV Standby Drsn, publication date Jul. 14, 2018, [online]
URL: <https://www.amazon.com/Drsn-Pedestal-Televisions-Mounting-0-787-2-16/dp/B07FLLSP59> (Year: 2018).*

(80) **Hague Agreement Data**

Int. Filing Date: **Dec. 18, 2019**

Primary Examiner — L. A. Grabenstetter

Int. Reg. No.: **DM/207946**

(74) *Attorney, Agent, or Firm* — Birch, Stewart, Kolasch & Birch, LLP

Int. Reg. Date: **Dec. 18, 2019**

Int. Reg. Pub. Date: **Jun. 19, 2020**

(57) **CLAIM**

(30) **Foreign Application Priority Data**

The ornamental design for a stand for television receiver, as shown and described.

Jul. 19, 2019 (KR) 30-2019-0034736

DESCRIPTION

(51) **LOC (13) Cl.** **14-03**

(52) **U.S. Cl.**

1.1 : Perspective

1.2 : Front

1.3 : Back

1.4 : Left

1.5 : Right

1.6 : Top

1.7 : Bottom

1.8 : Perspective shown in a state of use

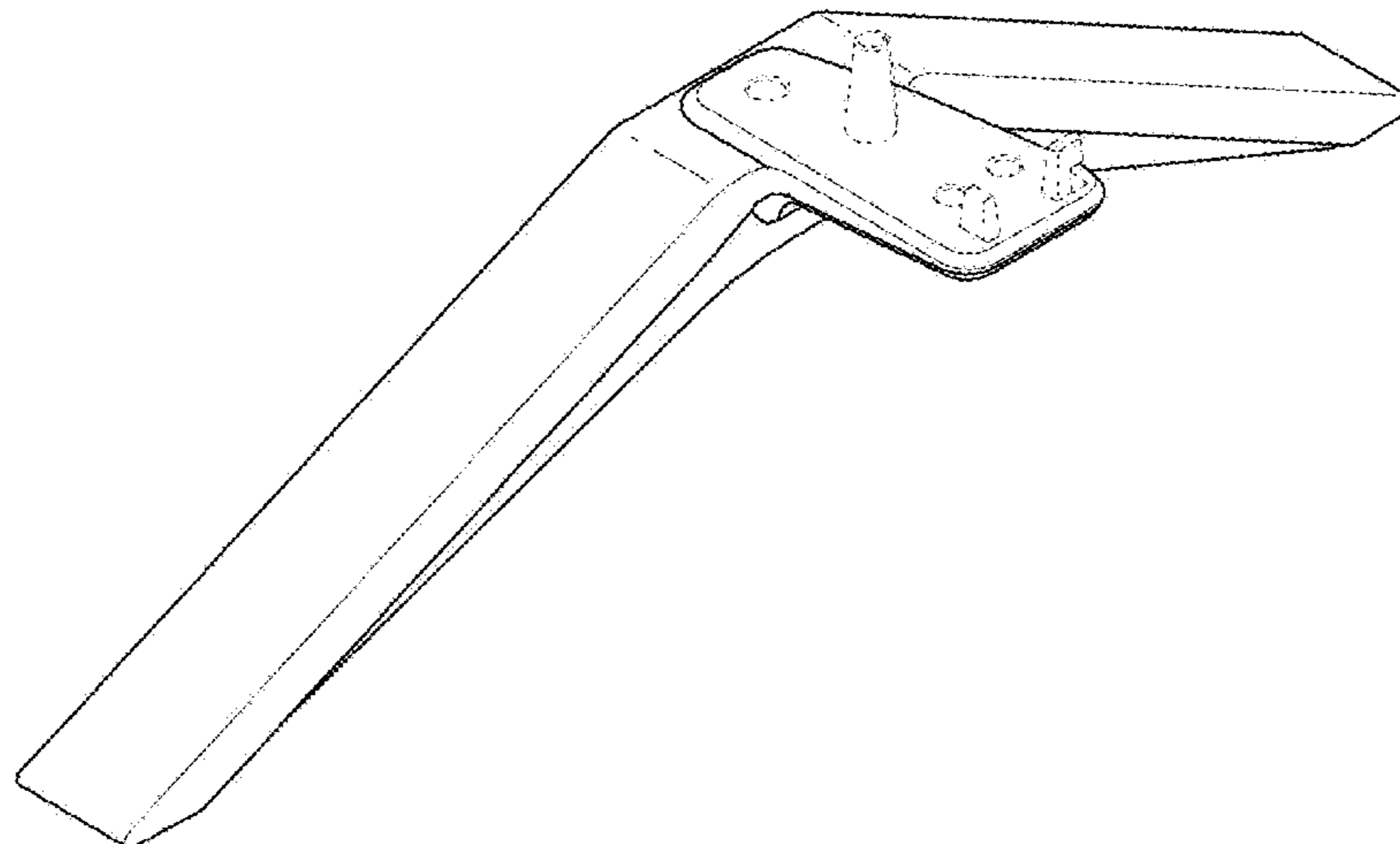
USPC **D14/451**

(58) **Field of Classification Search**

USPC D6/300, 308, 310, 642, 643, 650.1, D6/653.15, 654.15, 657, 661, 675, D6/708.24, 709.18, 709.2, 709.21, 709.22, D6/710; D14/125–129, 132, 239, 336, D14/341, 373–377, 451; D16/229, 235, D16/241; D24/190

The broken line portions of the stand for television receiver depict portions of the article that form no part of the claimed

(Continued)



design. The broken lines depicting a television receiver in reproduction 1.8 only represent unclaimed environment.

1 Claim, 8 Drawing Sheets

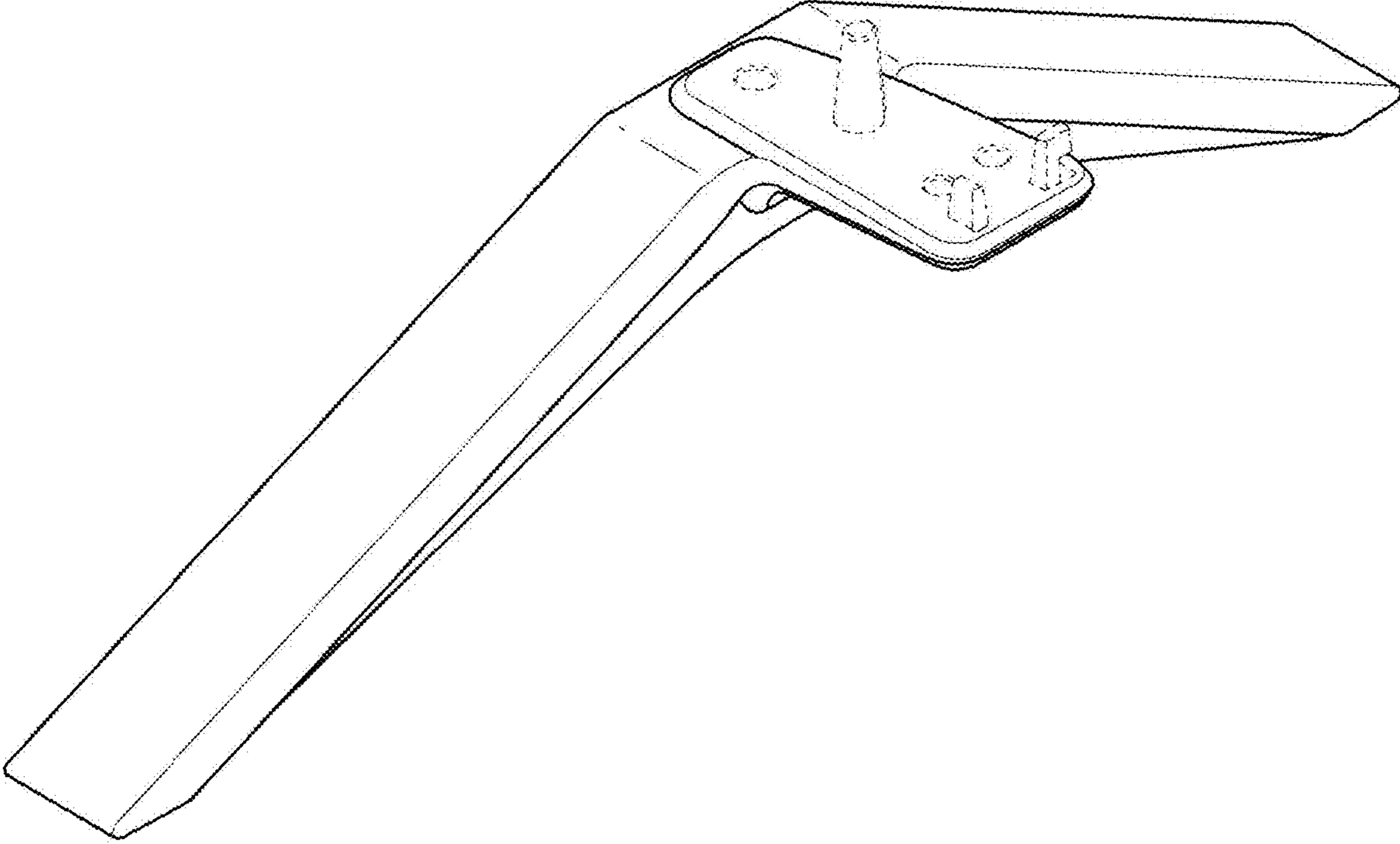
(56) **References Cited**

U.S. PATENT DOCUMENTS

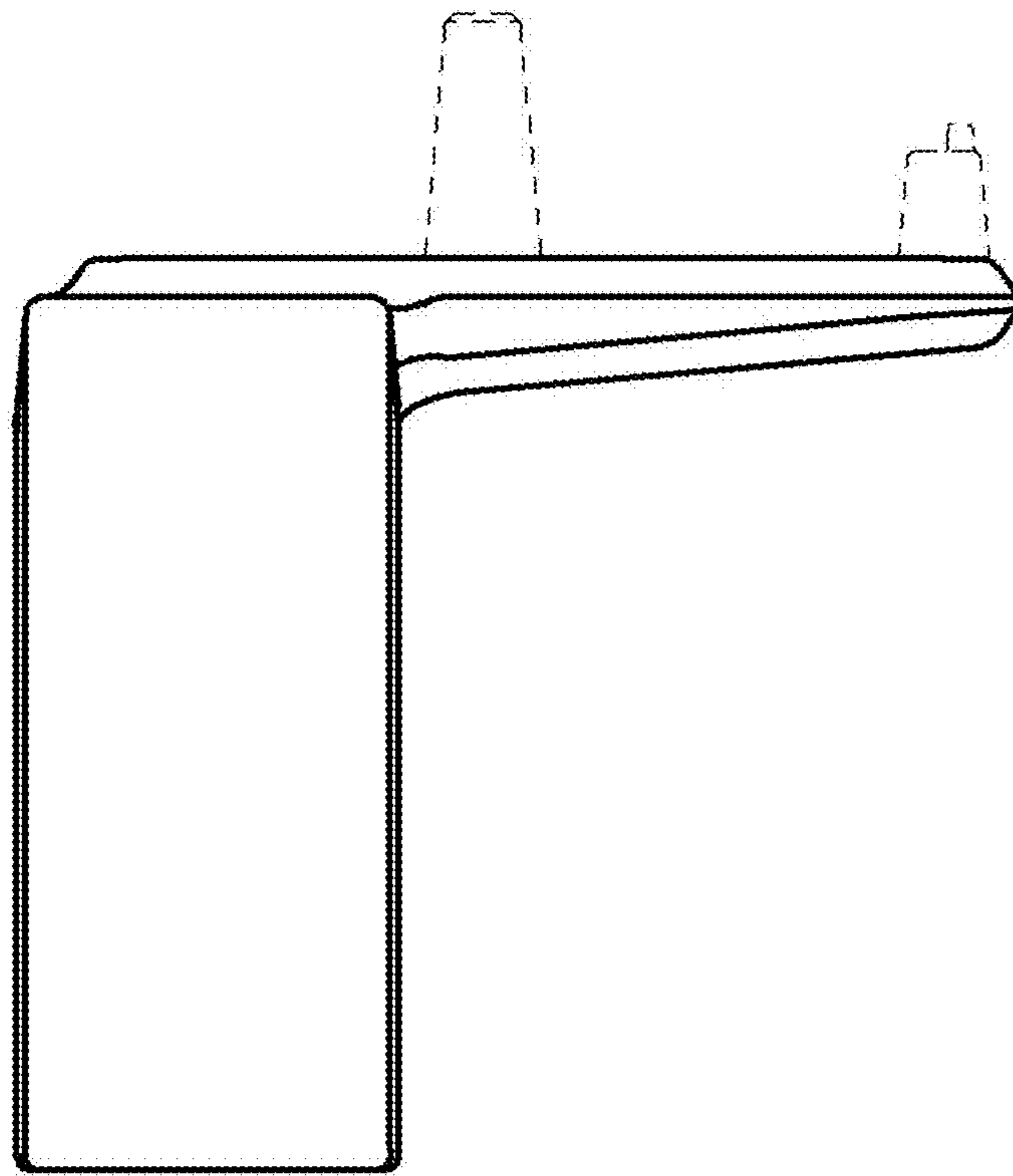
D818,999	S	*	5/2018	Kim	D14/239
D835,058	S	*	12/2018	Kim	D14/126
D848,970	S	*	5/2019	Lim	D14/126
D897,324	S	*	9/2020	Lee	D14/239
D897,325	S	*	9/2020	Lee	D14/239

* cited by examiner

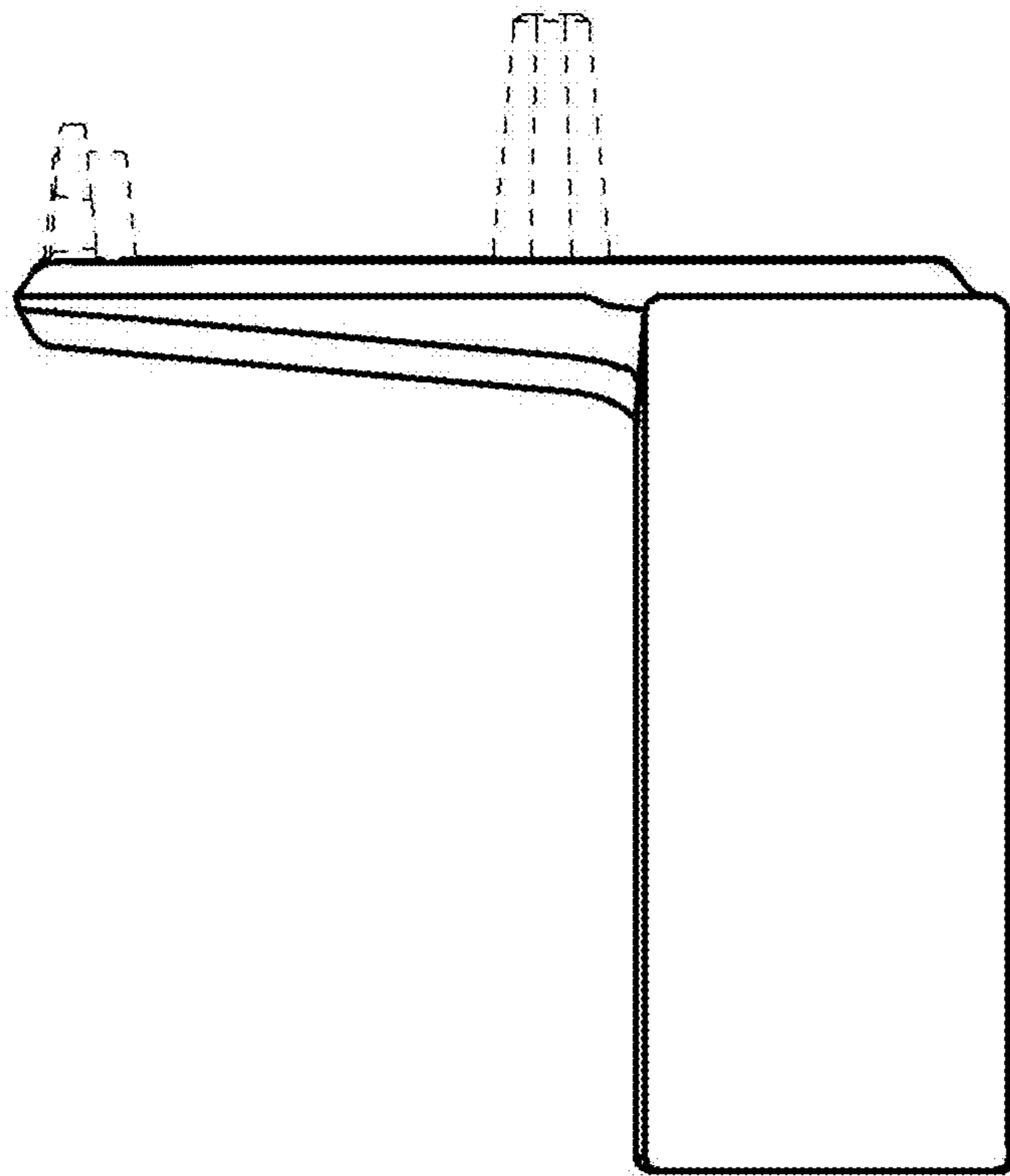
1.1



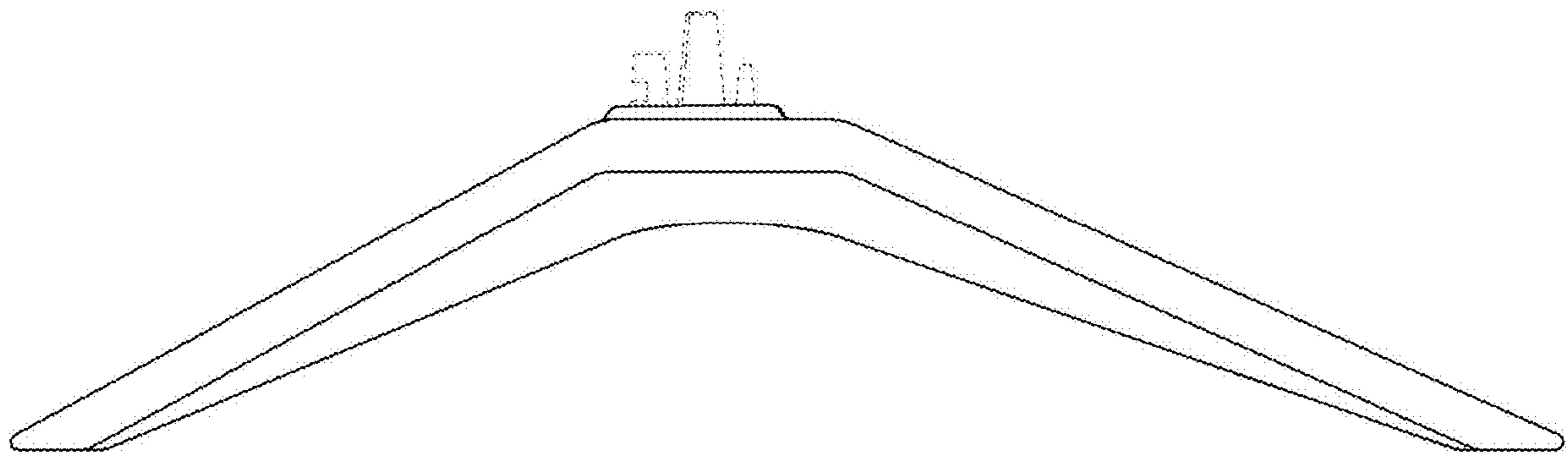
1.2



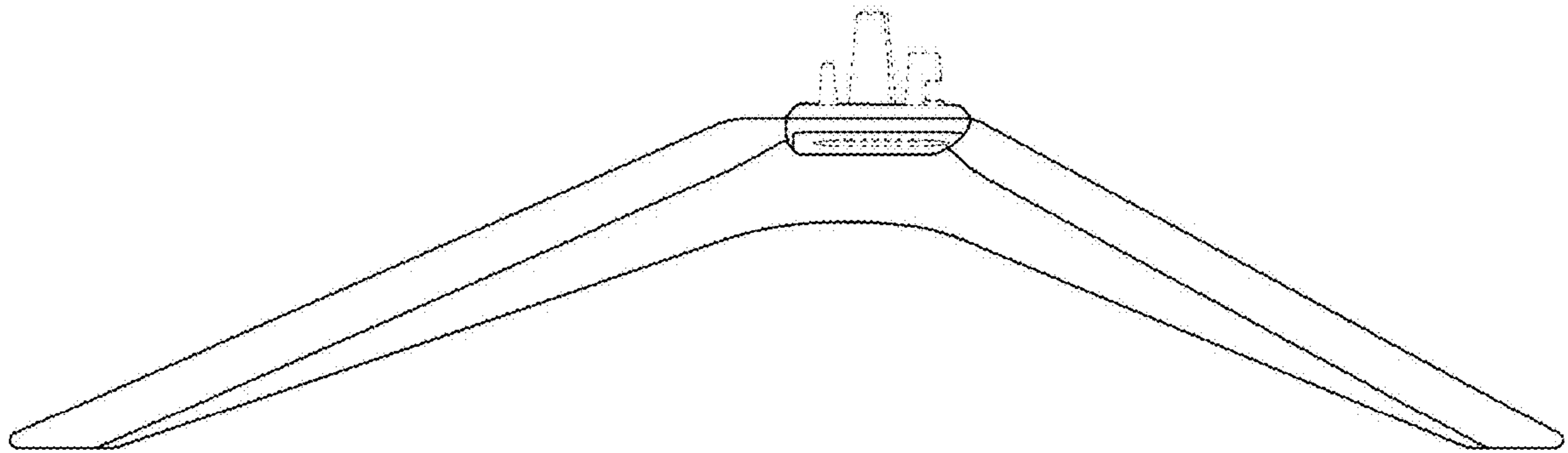
1.3



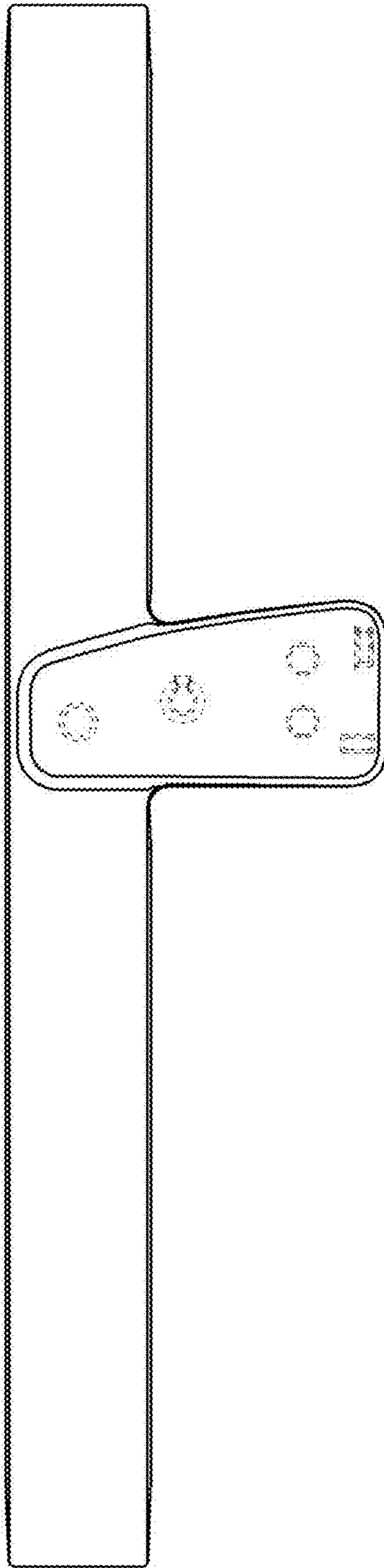
1.4



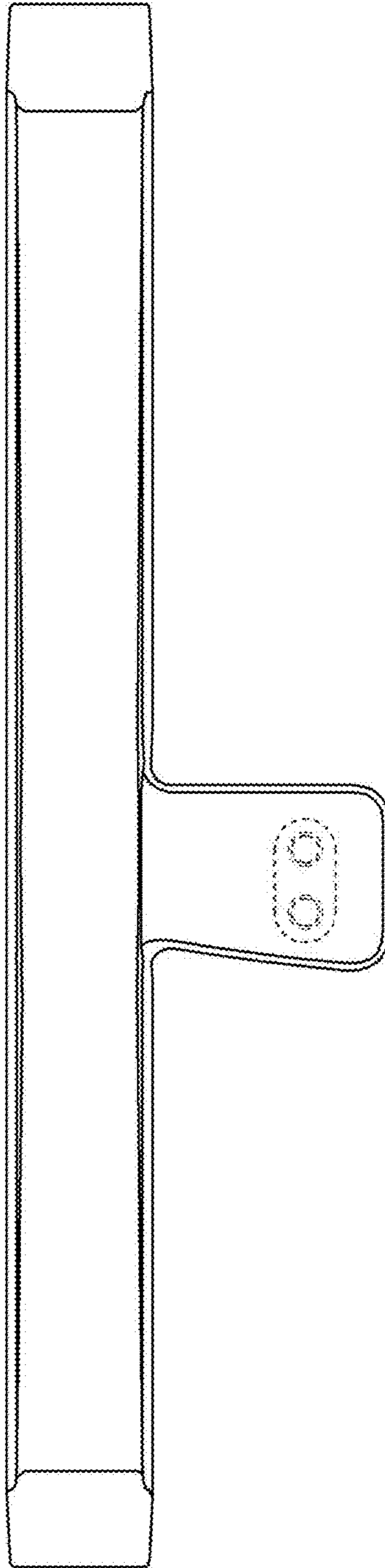
1.5



1.6



1.7



1.8

