



US00D929406S

(12) **United States Design Patent** (10) **Patent No.:** **US D929,406 S**
Lai (45) **Date of Patent:** **** Aug. 31, 2021**

(54) **USB HUB**

(71) Applicant: **SHENZHEN FENGCHEN TIMES TECHNOLOGY CO., LTD**, Shenzhen (CN)

(72) Inventor: **Caihua Lai**, Longyan (CN)

(73) Assignee: **SHENZHEN FENGCHEN TIMES TECHNOLOGY CO., LTD**, Shenzhen (CN)

(**) Term: **15 Years**

(21) Appl. No.: **29/738,478**

(22) Filed: **Jun. 17, 2020**

(51) **LOC (13) Cl.** **14-02**

(52) **U.S. Cl.**
USPC **D14/433**

(58) **Field of Classification Search**
USPC D14/240, 242, 356, 358, 363, 365, 367, D14/370, 432-437, 439, 498, 125, 366, D14/168, 496; D13/147, 164, 123, 133, D13/146, 110, 199, 103, 162, 159, 160, D13/184; 361/683, 684, 686, 724, 735, 361/737, 752; D18/40
CPC H01R 25/006; H01R 27/02; H01R 31/005; G06F 13/4022; G06F 13/382; G06F 1/1632; G06F 1/1684; G06F 1/20; G06F 1/1607
See application file for complete search history.

(56) **References Cited**

U.S. PATENT DOCUMENTS

D847,139 S * 4/2019 Wang D14/433
D853,397 S * 7/2019 Wang D14/435.1

D868,784 S * 12/2019 Turksu D14/385
D881,890 S * 4/2020 Wen D14/433
D892,801 S * 8/2020 Liu D14/434
D900,107 S * 10/2020 Wu D14/433
D900,824 S * 11/2020 Wu D14/433
D905,063 S * 12/2020 Liu D14/434
D908,126 S * 1/2021 Chen D14/433
D908,127 S * 1/2021 Wu D14/433
D912,056 S * 3/2021 Liao D14/433
D916,094 S * 4/2021 Liao D14/433
D918,918 S * 5/2021 Wu D14/433

* cited by examiner

Primary Examiner — Austin Murphy

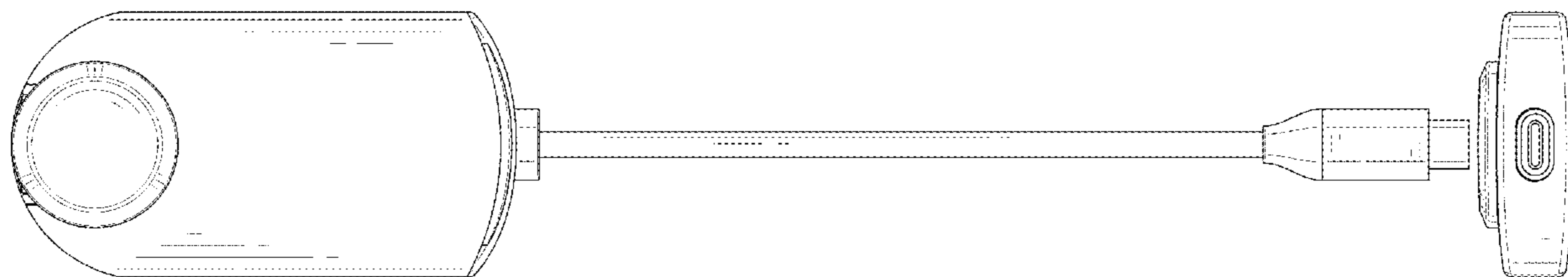
(57) **CLAIM**

The ornamental design for a USB hub, as shown and described.

DESCRIPTION

FIG. 1 is a perspective view of a USB hub showing my new design;
FIG. 2 is another perspective view thereof;
FIG. 3 is a front elevational view thereof;
FIG. 4 is a rear elevational view thereof;
FIG. 5 is a left side elevational view thereof;
FIG. 6 is a right side elevational view thereof;
FIG. 7 is a top plan view thereof; and,
FIG. 8 is a bottom plan view thereof.
The broken lines in the drawings depict portions of the USB hub that form no part of the claimed design.

1 Claim, 8 Drawing Sheets



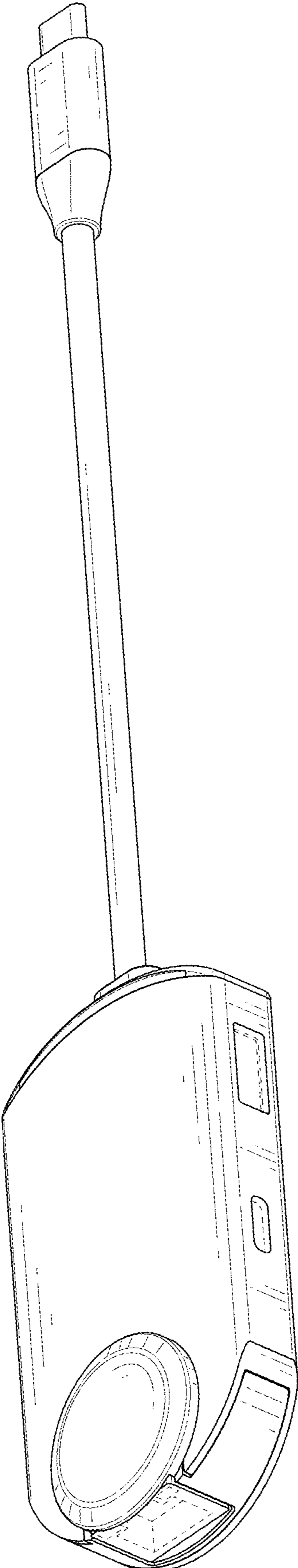


FIG. 1

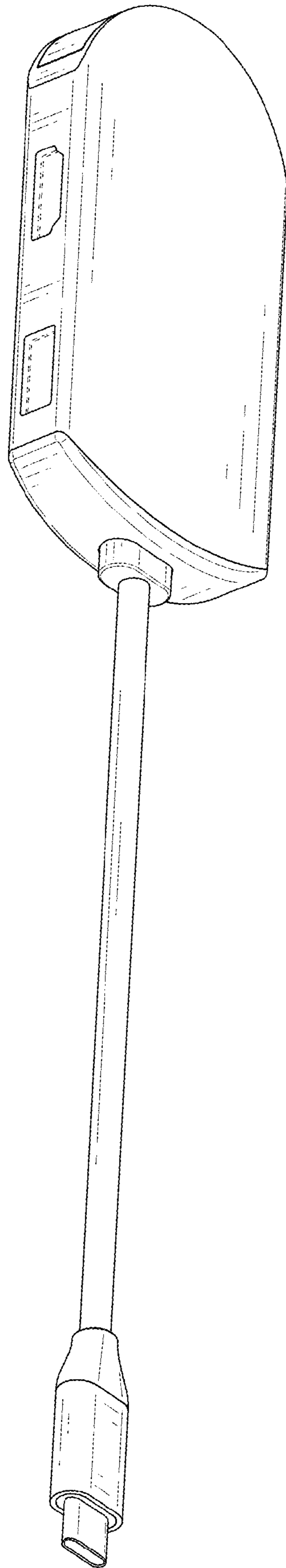


FIG. 2

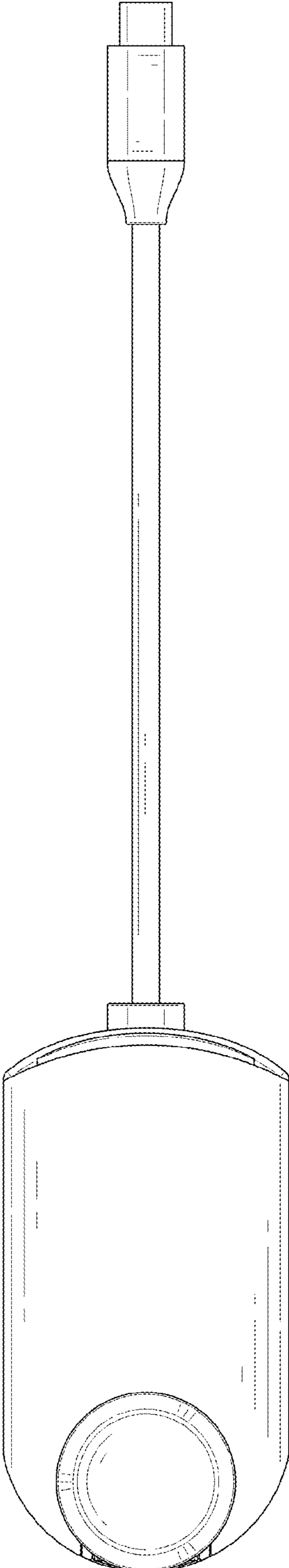


FIG. 3

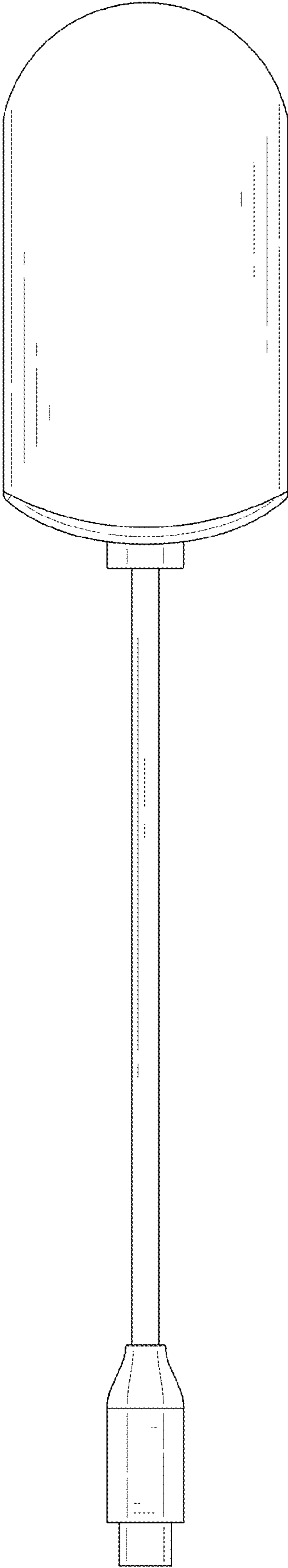


FIG. 4

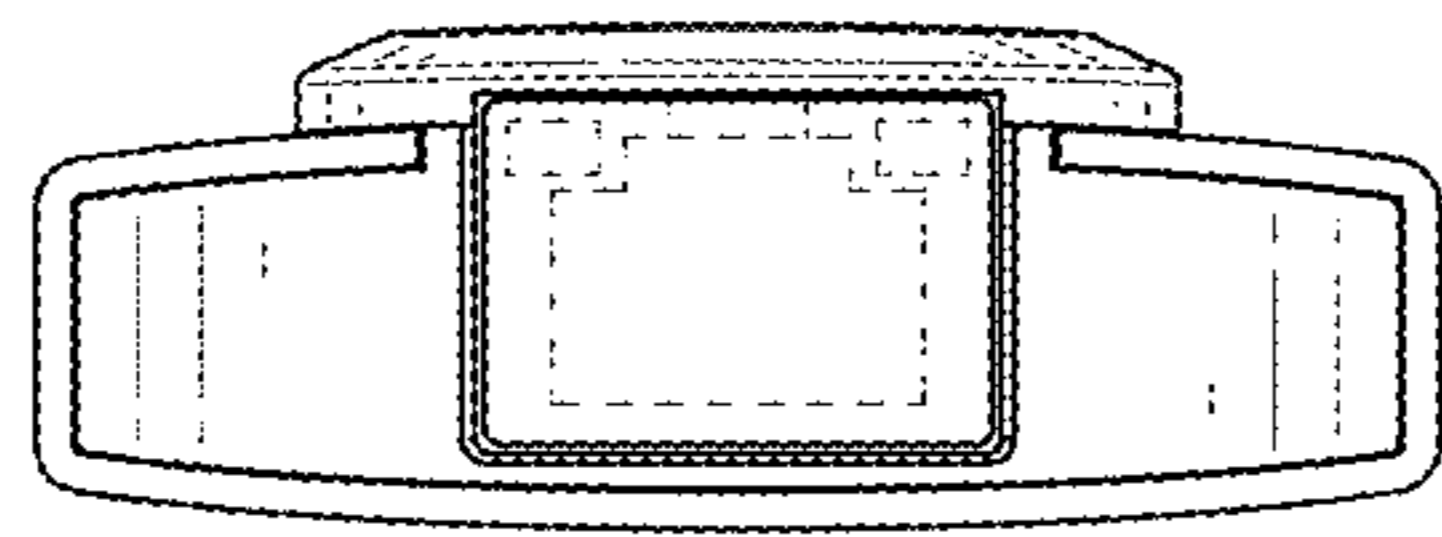


FIG. 5

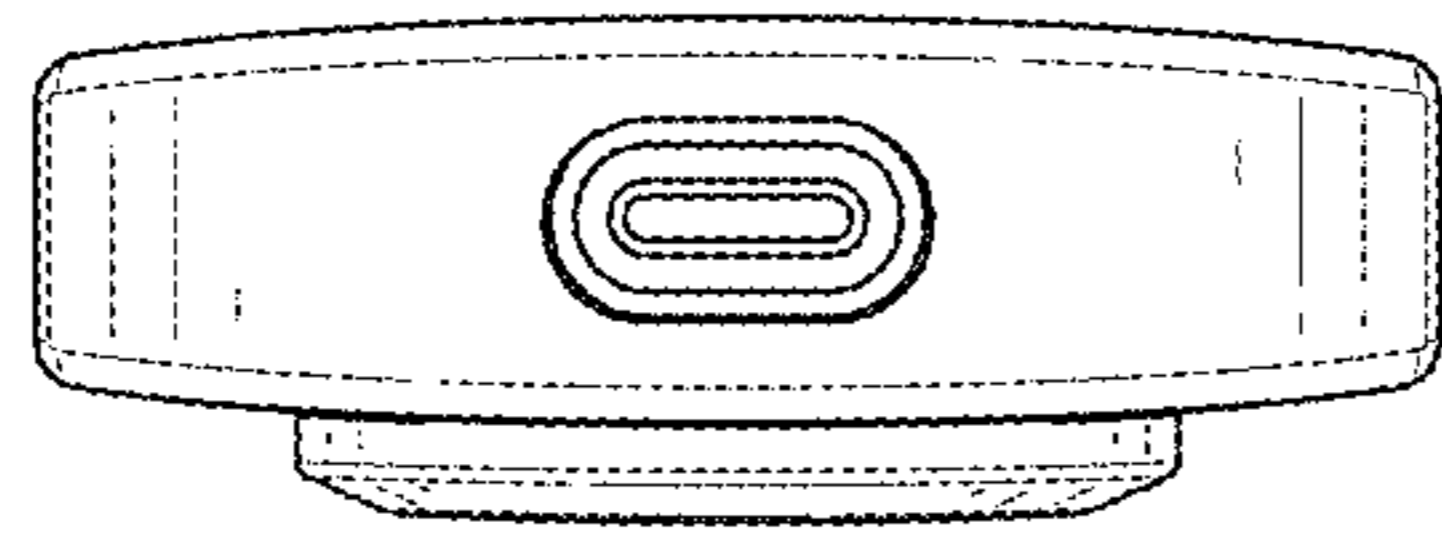


FIG. 6

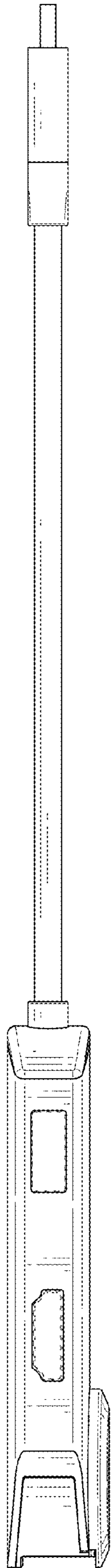


FIG. 7

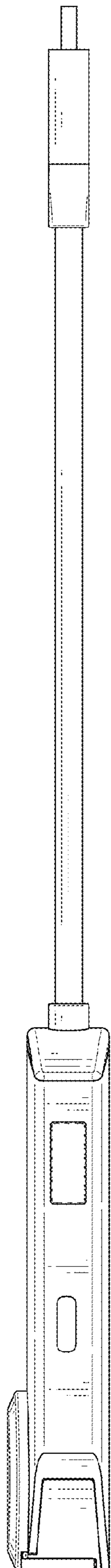


FIG. 8