



US00D929402S

(12) **United States Design Patent** (10) **Patent No.:** **US D929,402 S**  
**Jiang** (45) **Date of Patent:** **\*\* Aug. 31, 2021**

(54) **HEADMOUNTED DISPLAY DEVICE**  
(71) Applicant: **BEIJING XIAOMI MOBILE SOFTWARE CO., LTD., Beijing (CN)**  
(72) Inventor: **Hao Jiang, Beijing (CN)**  
(73) Assignee: **BEIJING XIAOMI MOBILE SOFTWARE CO., LTD., Beijing (CN)**

(\*\*) Term: **15 Years**

(21) Appl. No.: **35/508,540**

(22) Filed: **Feb. 3, 2019**

(80) **Hague Agreement Data**

Int. Filing Date: **Feb. 3, 2019**

Int. Reg. No.: **DM/205498**

Int. Reg. Date: **Feb. 3, 2019**

Int. Reg. Pub. Date: **Feb. 28, 2020**

(30) **Foreign Application Priority Data**

Aug. 7, 2018 (CN) ..... 201830433909.5

(51) **LOC (13) Cl.** ..... **14-02**

(52) **U.S. Cl.**  
USPC ..... **D14/372**

(58) **Field of Classification Search**  
USPC ..... D14/372, 496, 432, 371, 125, 126, 129, D14/299

CPC ..... G02B 27/017; G02B 27/0158; G02B 27/0161; G02B 27/0181; G02B 27/0185; G02B 27/0189

See application file for complete search history.

(56) **References Cited**

**U.S. PATENT DOCUMENTS**

D803,213 S \* 11/2017 Kim ..... D14/372  
D834,019 S \* 11/2018 Dallmeyer ..... D14/372  
D835,622 S \* 12/2018 Miller ..... D14/372

D840,399 S \* 2/2019 Miller ..... D14/372  
D843,373 S \* 3/2019 Zhao ..... D14/372  
D853,383 S \* 7/2019 Dallmeyer ..... D14/372  
D858,521 S \* 9/2019 Neil ..... D14/372  
D860,200 S \* 9/2019 McGinty, Jr. .... D14/372  
D860,992 S \* 9/2019 Bristol ..... D14/372  
D863,300 S \* 10/2019 Boger ..... D14/372  
D865,764 S \* 11/2019 Miller ..... D14/372  
D875,094 S \* 2/2020 Miller ..... D14/372  
D885,384 S \* 5/2020 Conlee, IV ..... D14/372  
D892,792 S \* 8/2020 Miller ..... D14/372  
D900,095 S \* 10/2020 Wang ..... D14/372

\* cited by examiner

*Primary Examiner* — Bao-Yen T Nguyen

(74) *Attorney, Agent, or Firm* — Dickinson Wright PLLC

(57) **CLAIM**

The ornamental design for a head-mounted display device, as shown and described.

**DESCRIPTION**

1. Head-mounted display device

1.1 : Front

1.2 : Back

1.3 : Left

1.4 : Right

1.5 : Top

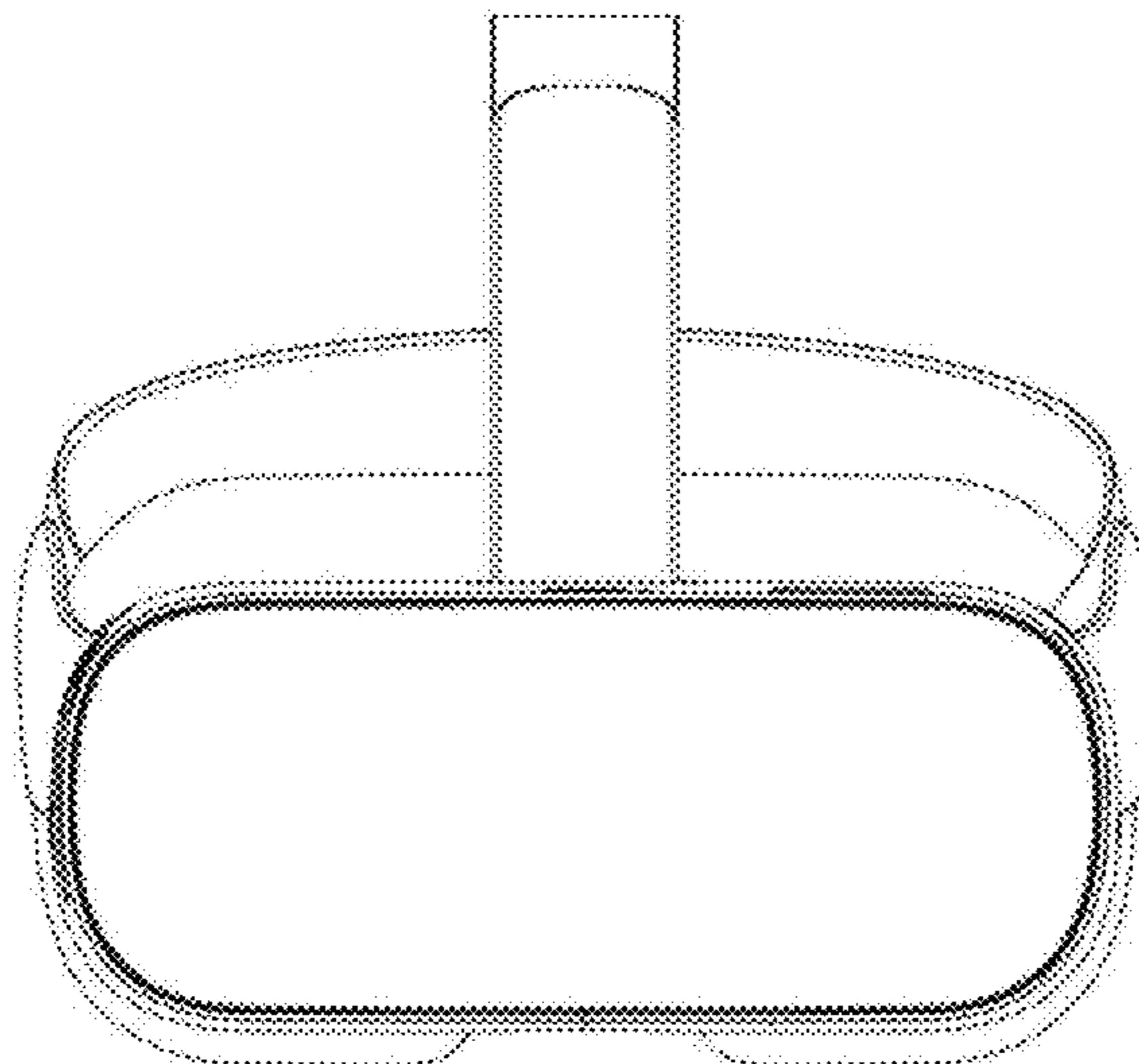
1.6 : Bottom

1.7 : Perspective

The broken lines are included for the purpose of illustrating portions of the head-mounted display device that form no part of the claimed design.

Reproduction 1.1 is a front elevation view of a head-mounted display device showing our new design; reproduction 1.2 is a rear elevation view thereof; reproduction 1.3 is a left side elevation view thereof; reproduction 1.4 is a right side elevation view thereof; reproduction 1.5 is a top plan view thereof; reproduction 1.6 is a bottom plan view thereof; and reproduction 1.7 is a perspective view thereof, the human body in grey as shown in reproduction 1.7 does not form a part of the claimed product.

**1 Claim, 7 Drawing Sheets**



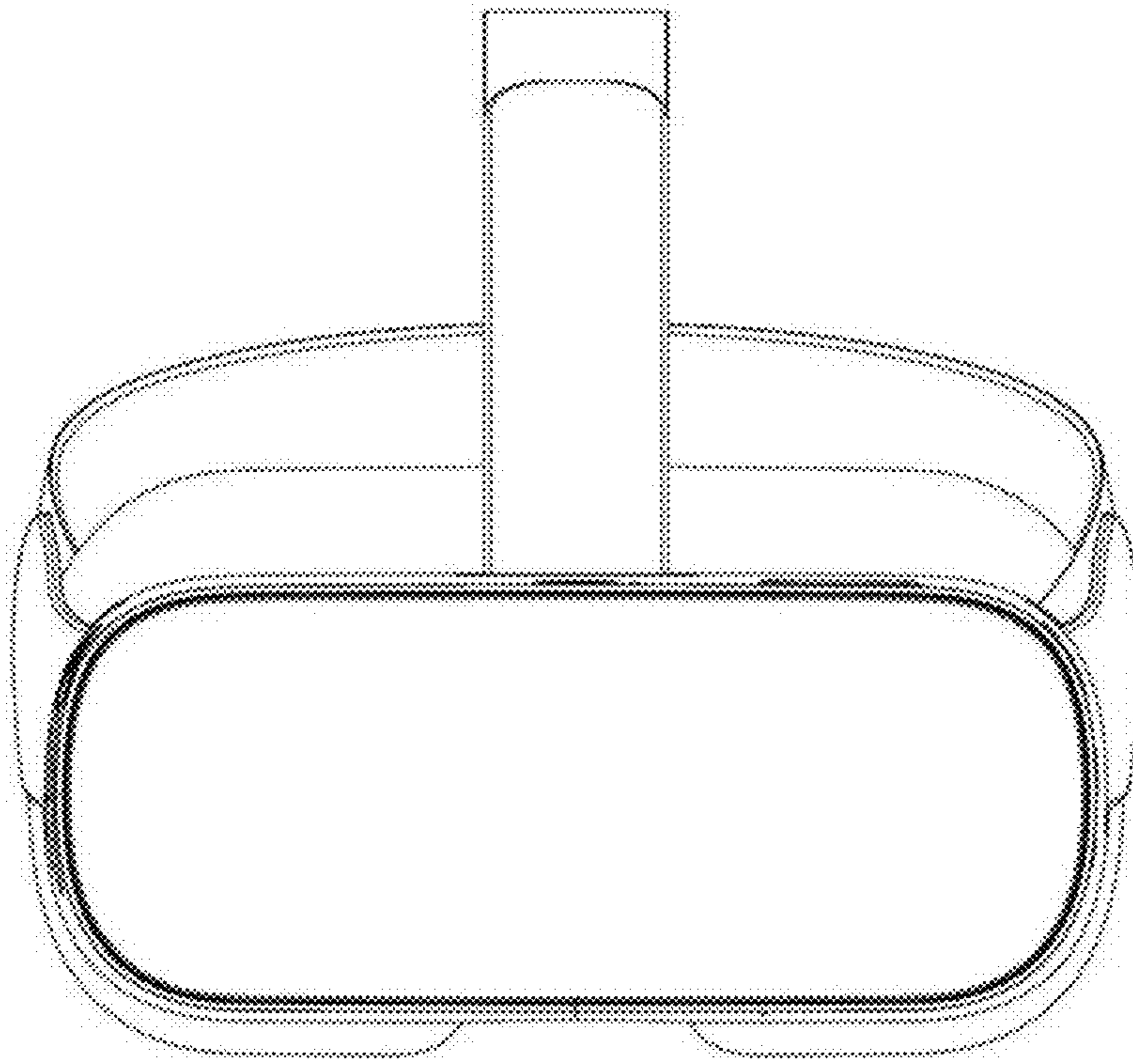


Fig. 1.1

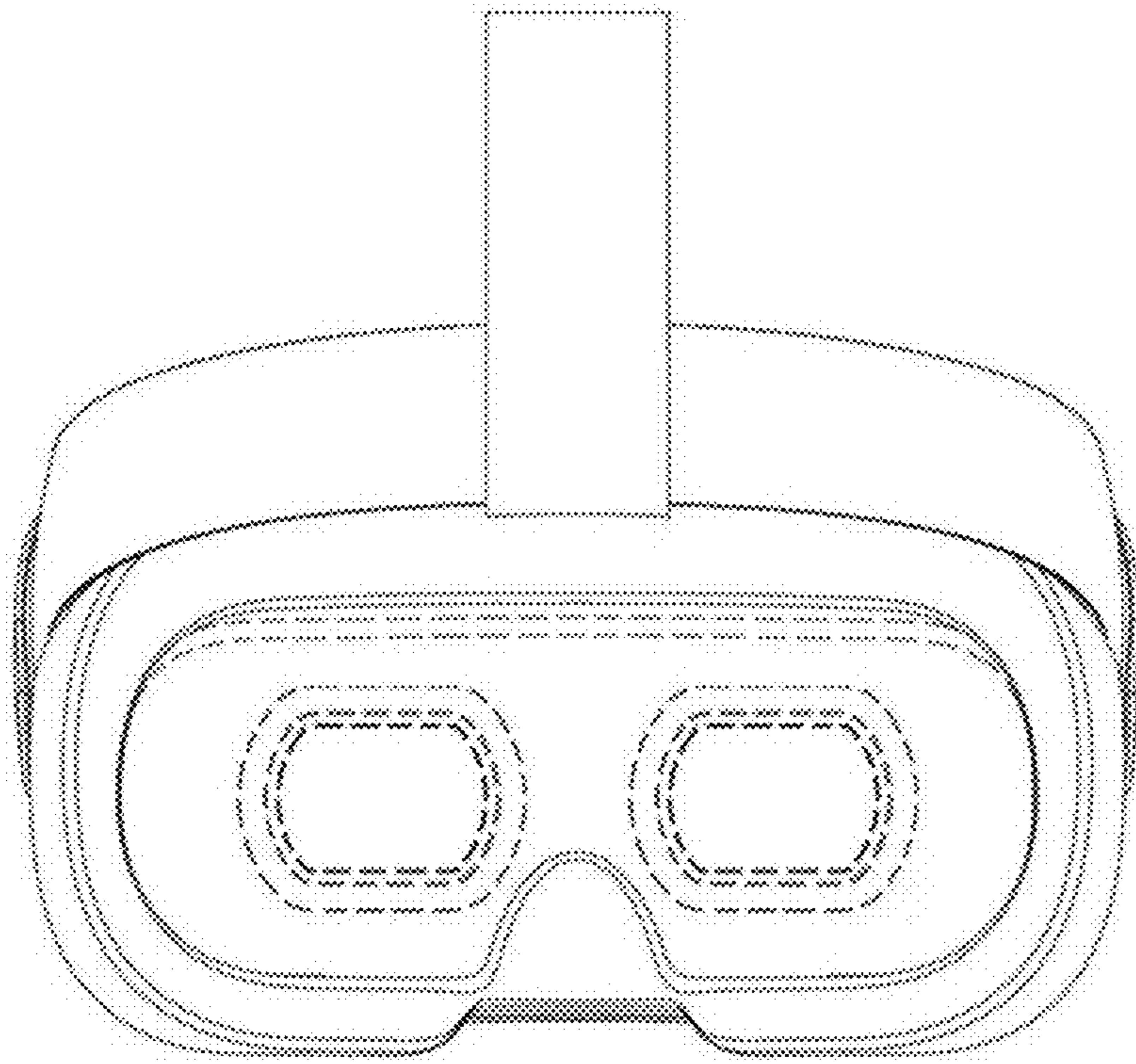
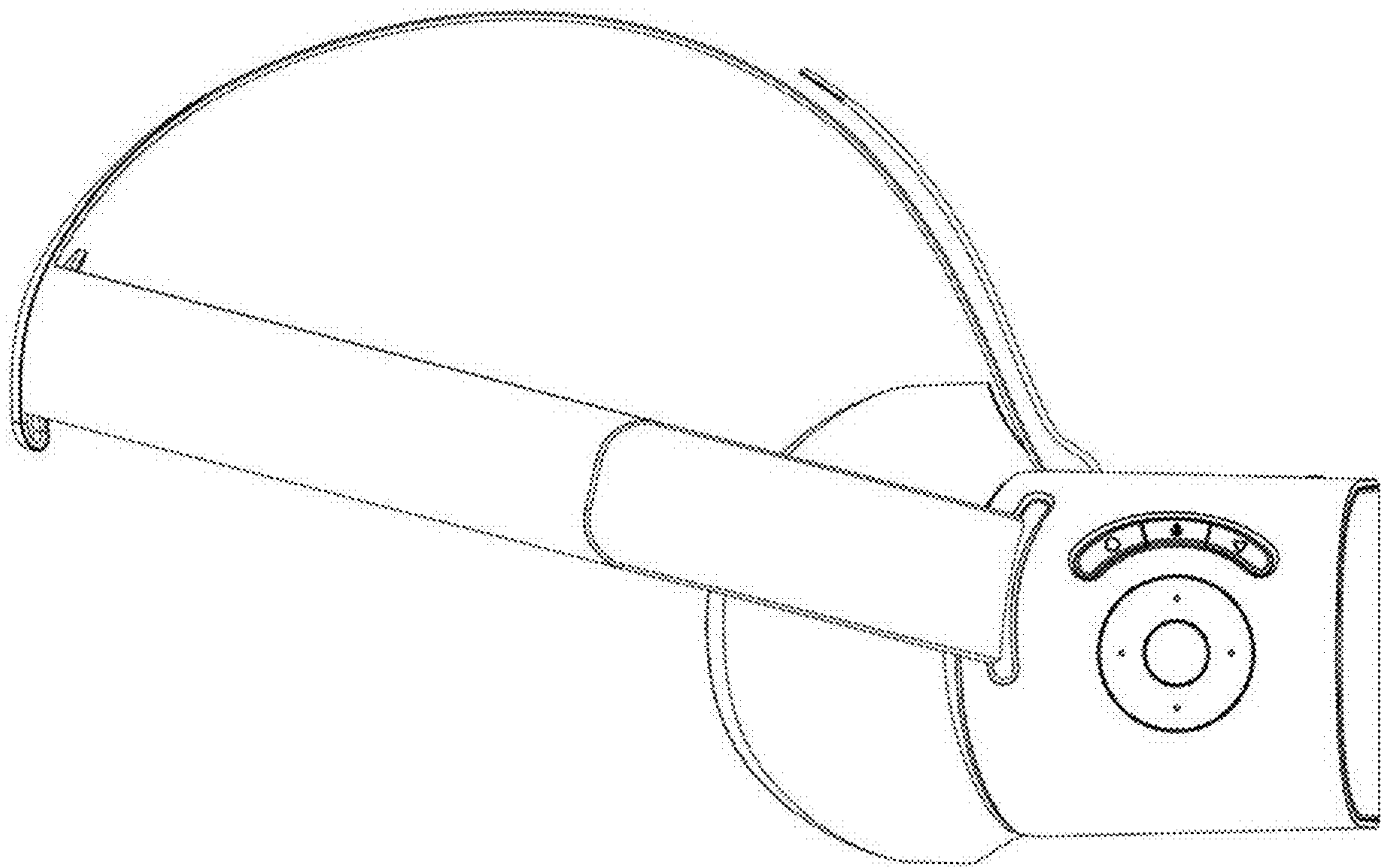


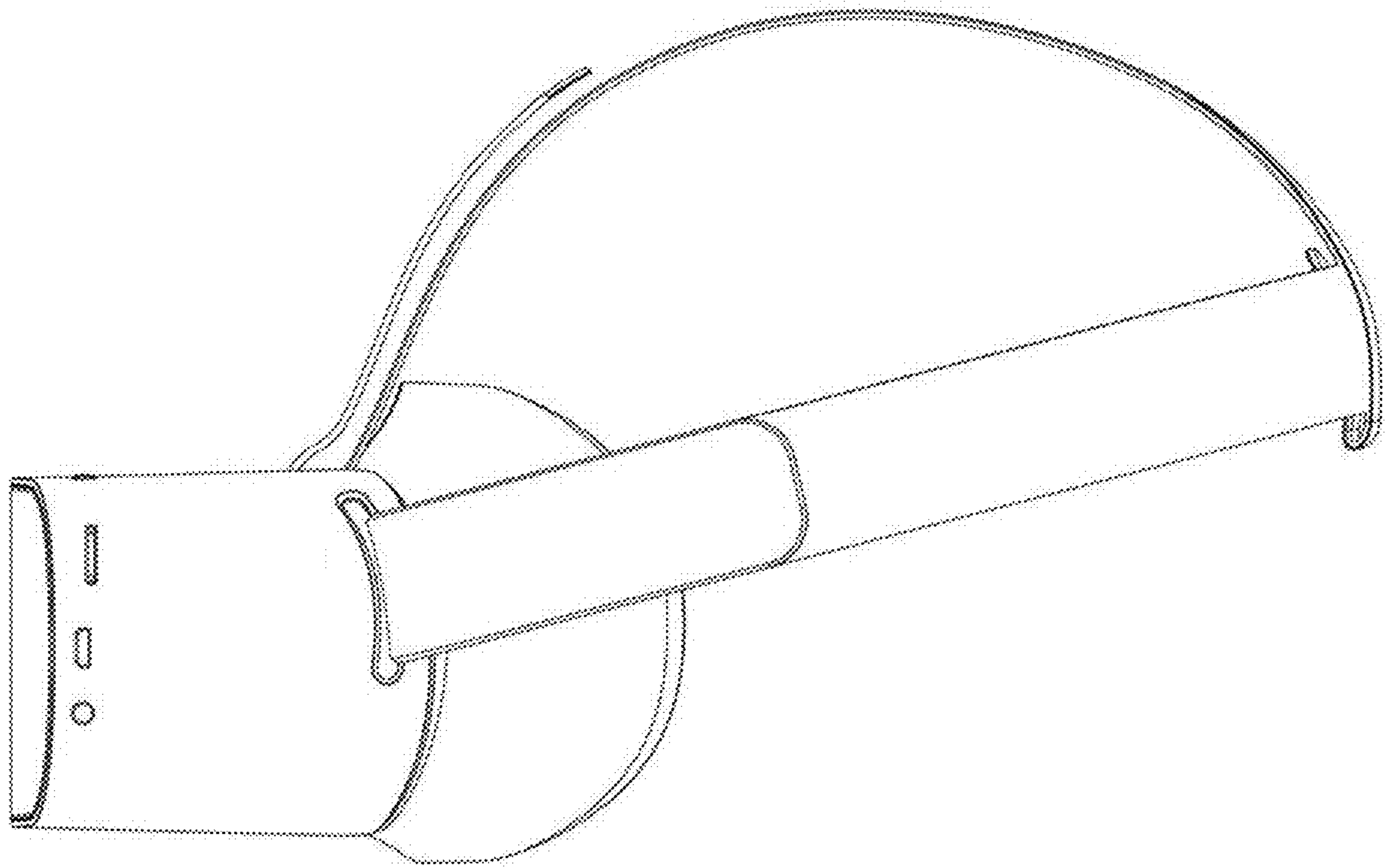
Fig. 1.2

1.3

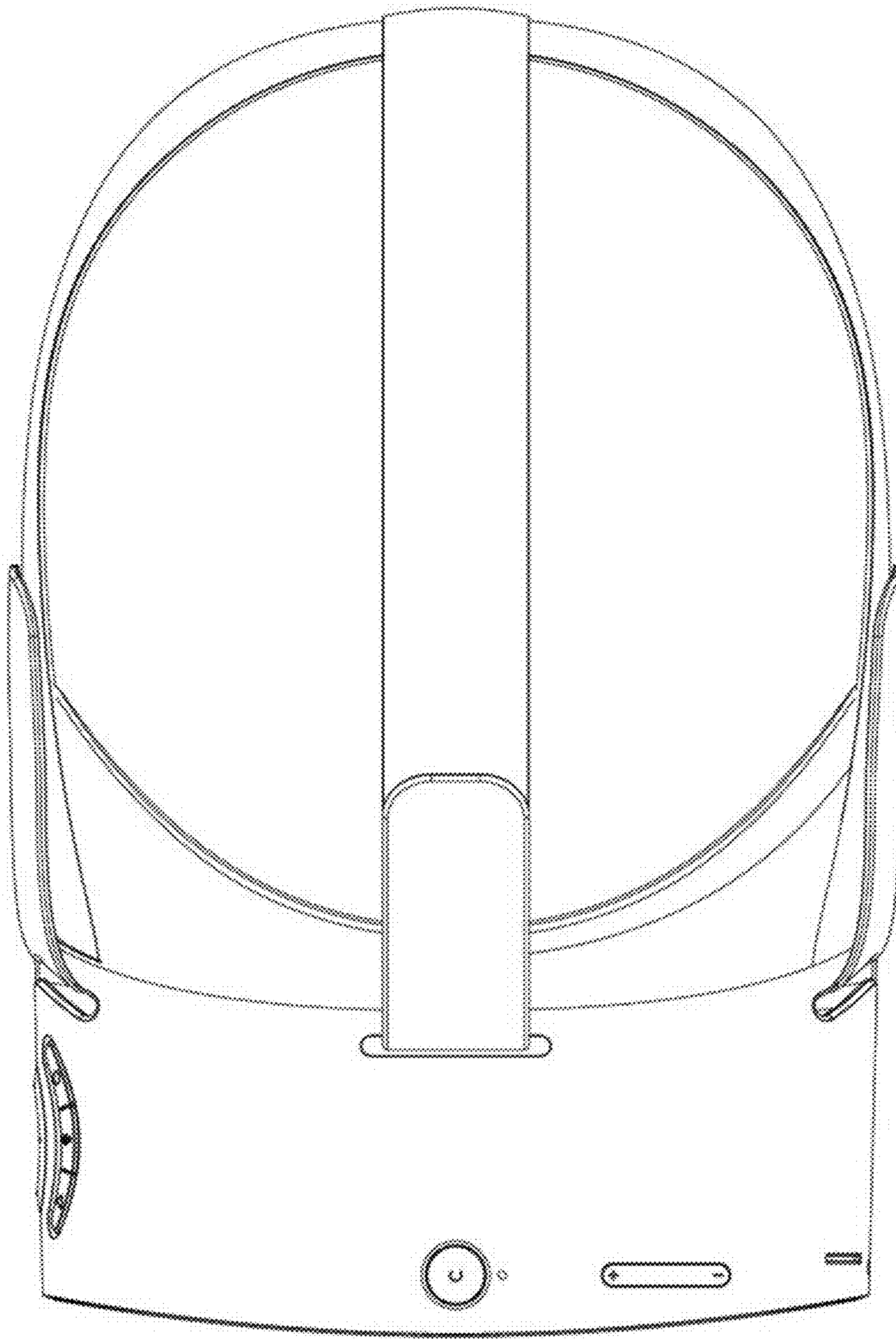




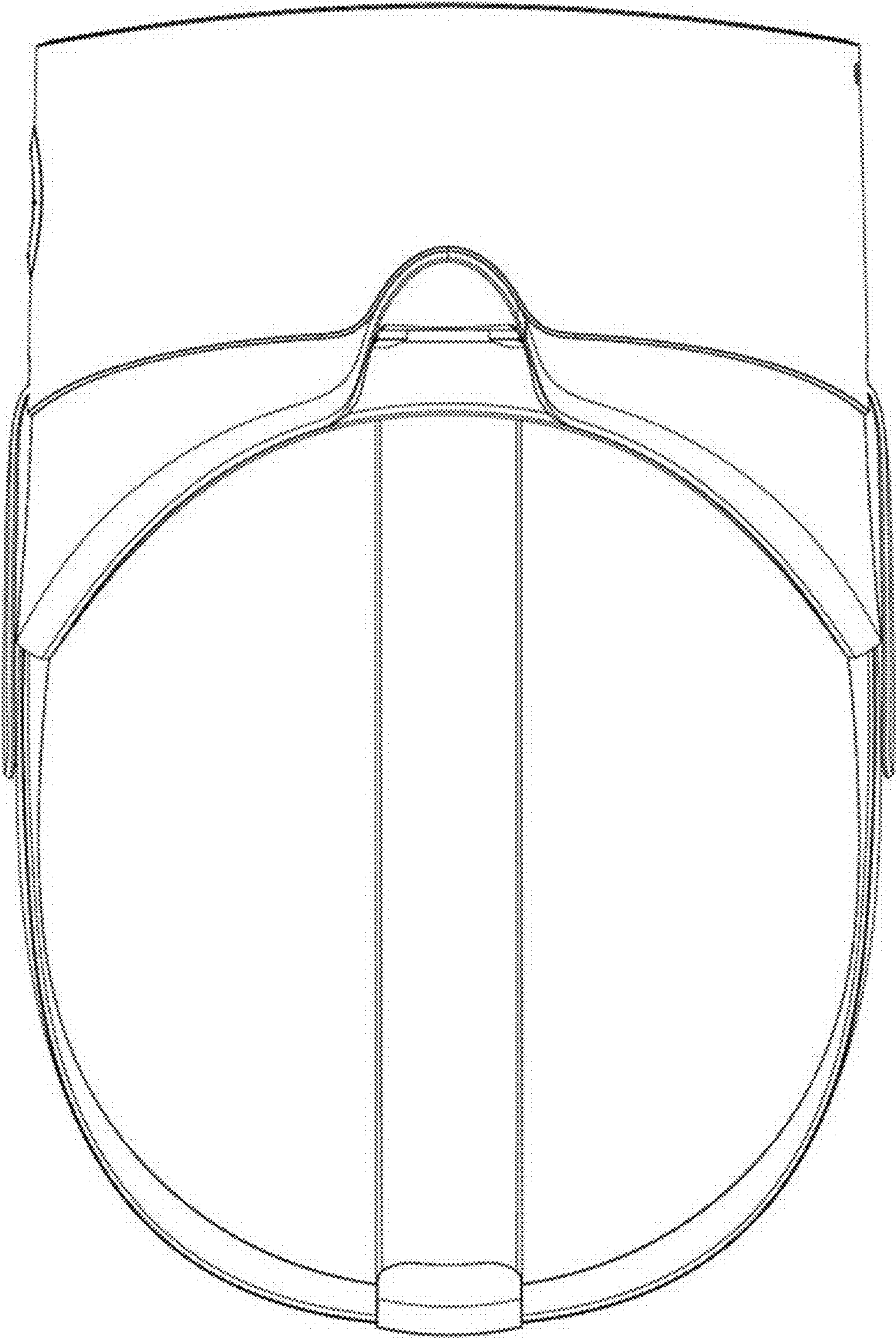
1.4



1.5



1.6





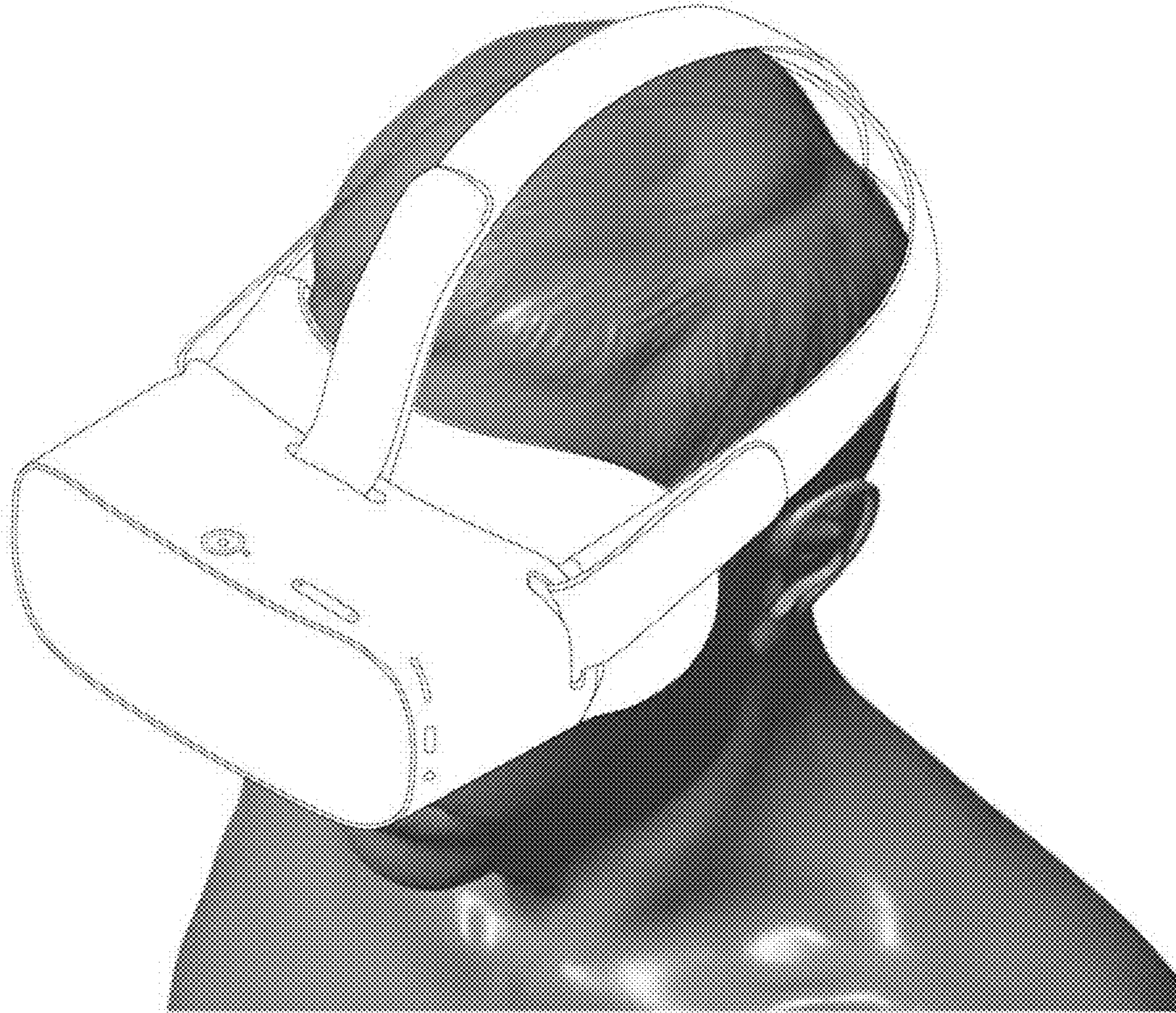


Fig. 1.7