

US00D929399S

(12) **United States Design Patent**  
**Huang**

(10) **Patent No.:** **US D929,399 S**

(45) **Date of Patent:** **\*\* Aug. 31, 2021**

(54) **SMART HOME HUB**

(71) Applicant: **AMBIT MICROSYSTEMS**  
**(SHANGHAI) LTD.**, Shanghai (CN)

(72) Inventor: **Hsiao-Ju Huang**, New Taipei (TW)

(73) Assignee: **AMBIT MICROSYSTEMS**  
**(SHANGHAI) LTD.**, Shanghai (CN)

(\*\*) Term: **15 Years**

(21) Appl. No.: **29/700,806**

(22) Filed: **Aug. 6, 2019**

(51) **LOC (13) Cl.** ..... **14-02**

(52) **U.S. Cl.**  
USPC ..... **D14/358**; D14/496; D14/240

(58) **Field of Classification Search**  
USPC ..... D14/140, 140.1, 140.6, 240, 242, 125,  
D14/129, 130, 142, 155, 167, 168, 172,  
D14/188, 195, 299, 496, 197, 198, 230,  
D14/348, 351, 356, 357, 358, 449, 450,  
D14/336; D13/110, 123, 152, 158, 162,  
D13/162.1, 163, 184, 199, 108, 179;  
D10/104.1, 106.1, 106.6, 116.1, 61, 64,  
D10/75, 106.9, 106.95

CPC ..... G06F 1/1601  
See application file for complete search history.

(56) **References Cited**

**U.S. PATENT DOCUMENTS**

D335,963 S *	6/1993	Tracey	.....	D6/300
D654,450 S *	2/2012	McManigal	.....	D14/129
D661,266 S *	6/2012	Laube	.....	D14/126
D661,671 S *	6/2012	Laube	.....	D14/126
D682,266 S *	5/2013	Wu	.....	D14/358
D687,431 S *	8/2013	Landis	.....	D14/336
D689,483 S *	9/2013	Wu	.....	D14/358
D691,818 S *	10/2013	Shibata	.....	D6/308

D693,314 S *	11/2013	McKeage	.....	D13/162
D697,064 S *	1/2014	Chen	.....	D14/336
D699,354 S *	2/2014	Chung	.....	D24/158
D726,136 S *	4/2015	Cho	.....	D14/126
D727,863 S *	4/2015	Sung	.....	D14/126
D755,783 S *	5/2016	Shi	.....	D14/336
D760,719 S *	7/2016	Zhou	.....	D14/420
D767,508 S *	9/2016	Dimberg	.....	D13/168
D781,277 S *	3/2017	Cameron	.....	D14/250
D782,481 S *	3/2017	Zhou	.....	D14/420
D784,270 S *	4/2017	Bhattacharya	.....	D13/162
D784,542 S *	4/2017	Zwierstra	.....	D24/186
D803,218 S *	11/2017	Zhou	.....	D14/420
D811,383 S *	2/2018	Diasabeygunawardena	.....	D14/336
D811,392 S *	2/2018	Lu	.....	D14/358
D834,437 S *	11/2018	Zhang	.....	D10/106.95
D834,979 S *	12/2018	Zhang	.....	D10/106.95
D839,264 S *	1/2019	Nagano	.....	D14/301
D850,430 S *	6/2019	Wu	.....	D14/240
D850,440 S *	6/2019	Gentle	.....	D14/336
D857,007 S *	8/2019	Pitallano	.....	D14/307
D871,500 S *	12/2019	Balar	.....	D18/4.5
D889,456 S *	7/2020	Yao	.....	D14/336

(Continued)

*Primary Examiner* — Marie D. Fast Horse

(74) *Attorney, Agent, or Firm* — ScienBiziP, P.C.

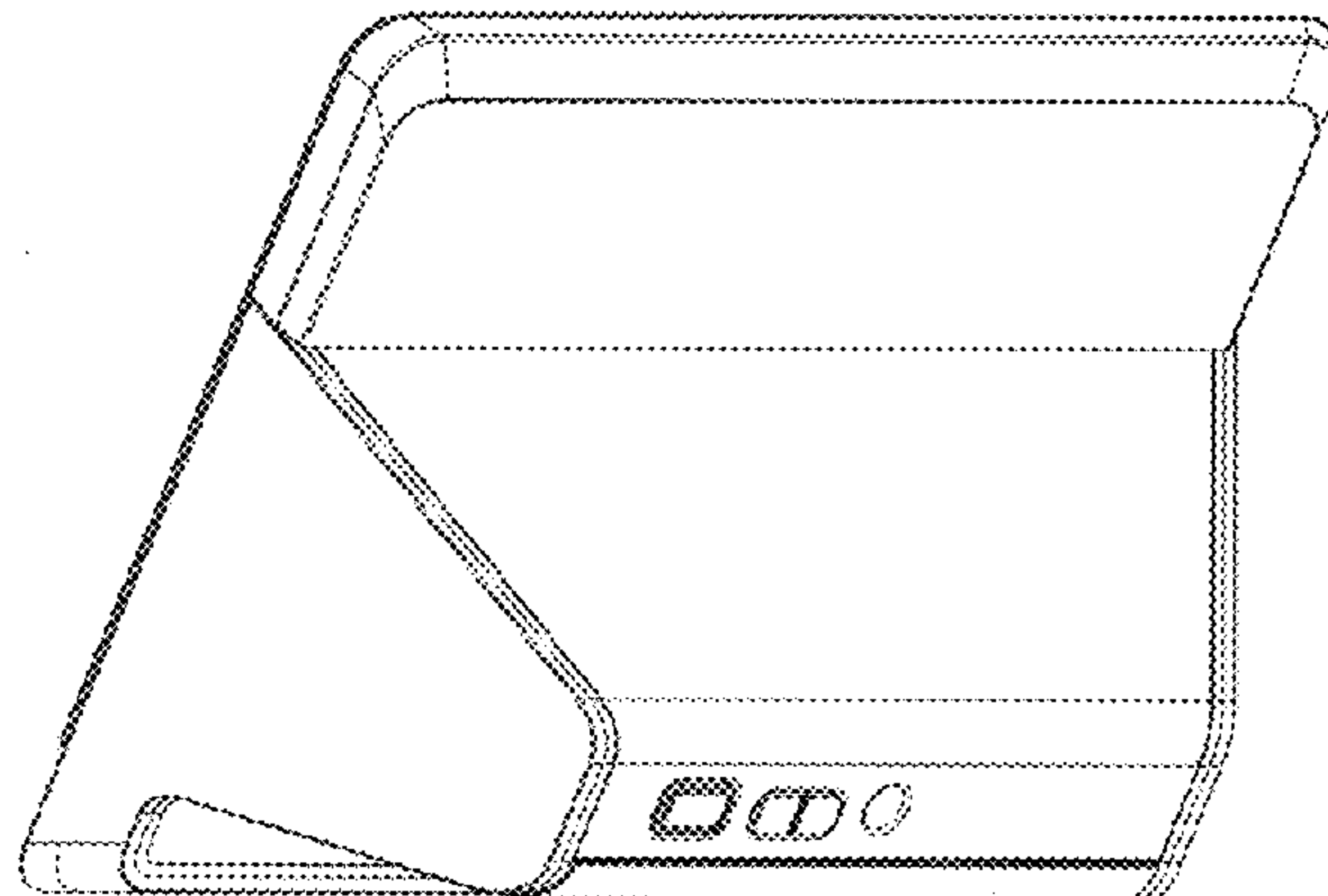
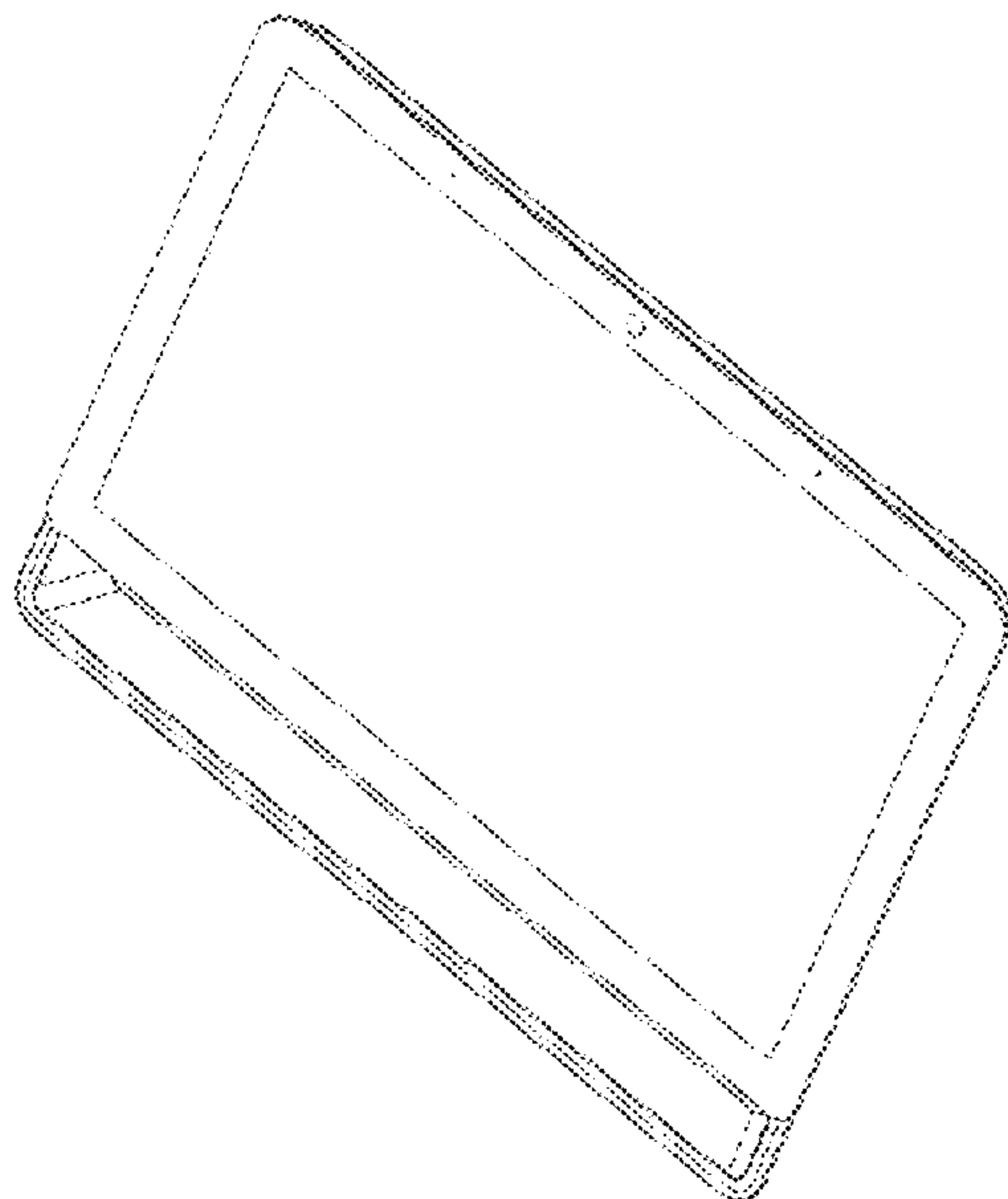
(57) **CLAIM**

The ornamental design for a smart home hub, as shown and described.

**DESCRIPTION**

FIG. 1 is a perspective view of a smart home hub;  
FIG. 2 is another perspective view of the smart home hub;  
FIG. 3 is a front elevational view thereof;  
FIG. 4 is a rear elevational view thereof;  
FIG. 5 is a left side elevational view thereof;  
FIG. 6 is a right side elevational view thereof;  
FIG. 7 is a top plan view thereof; and,  
FIG. 8 is a bottom plan view thereof.

**1 Claim, 8 Drawing Sheets**



(56)

**References Cited**

U.S. PATENT DOCUMENTS

D891,428 S *	7/2020	Taylor .....	D14/371
D894,844 S *	9/2020	Boynton .....	D13/162
D899,395 S *	10/2020	Pang .....	D14/203.7
D902,297 S *	11/2020	Cathala .....	D14/307
D905,027 S *	12/2020	Chang .....	D14/240
D907,032 S *	1/2021	Solomon .....	D14/336
D916,471 S *	4/2021	Jiang .....	D6/308
2015/0198973 A1 *	7/2015	Le .....	G06F 1/1601 248/688

\* cited by examiner

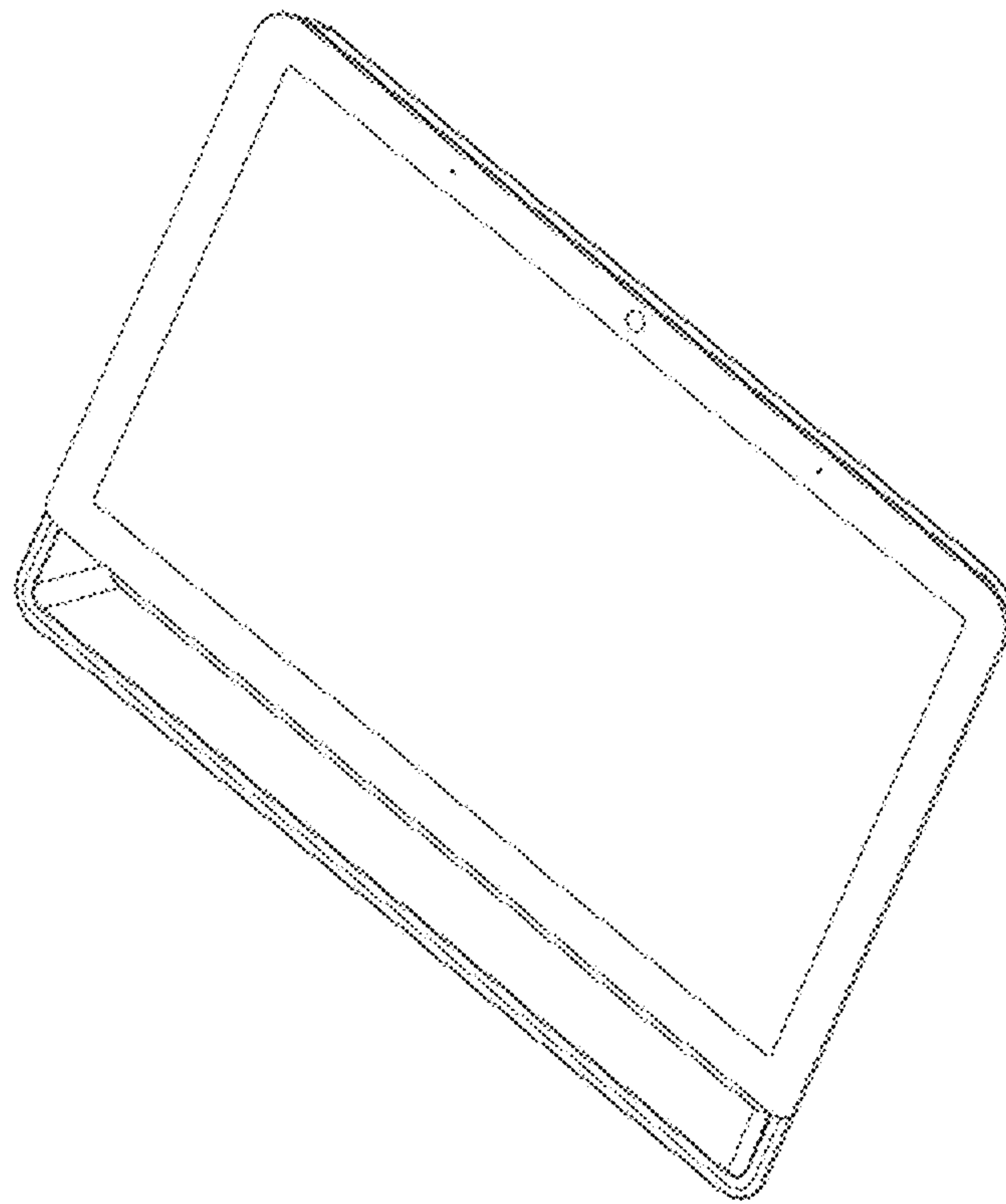


FIG. 1

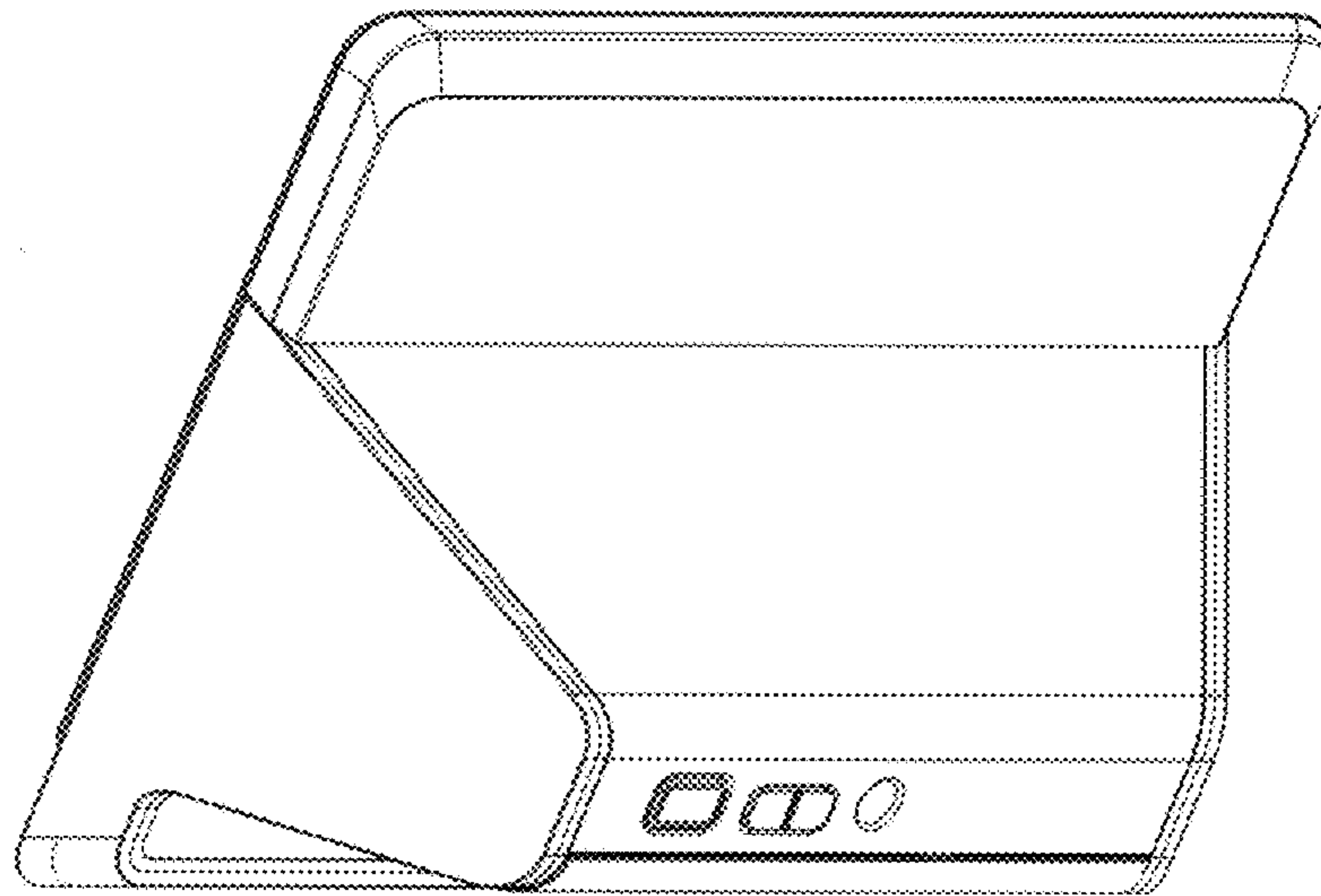


FIG. 2

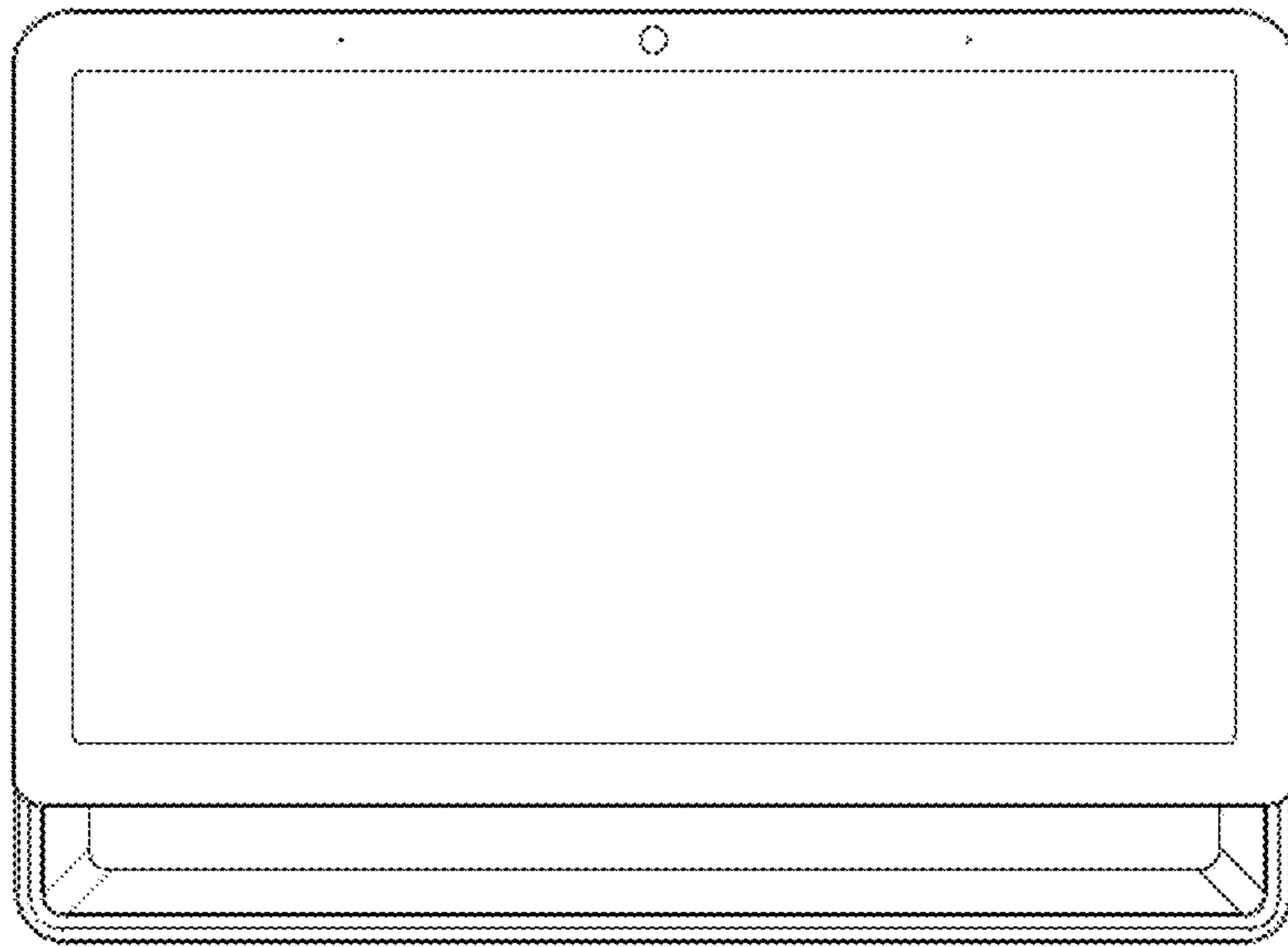


FIG. 3

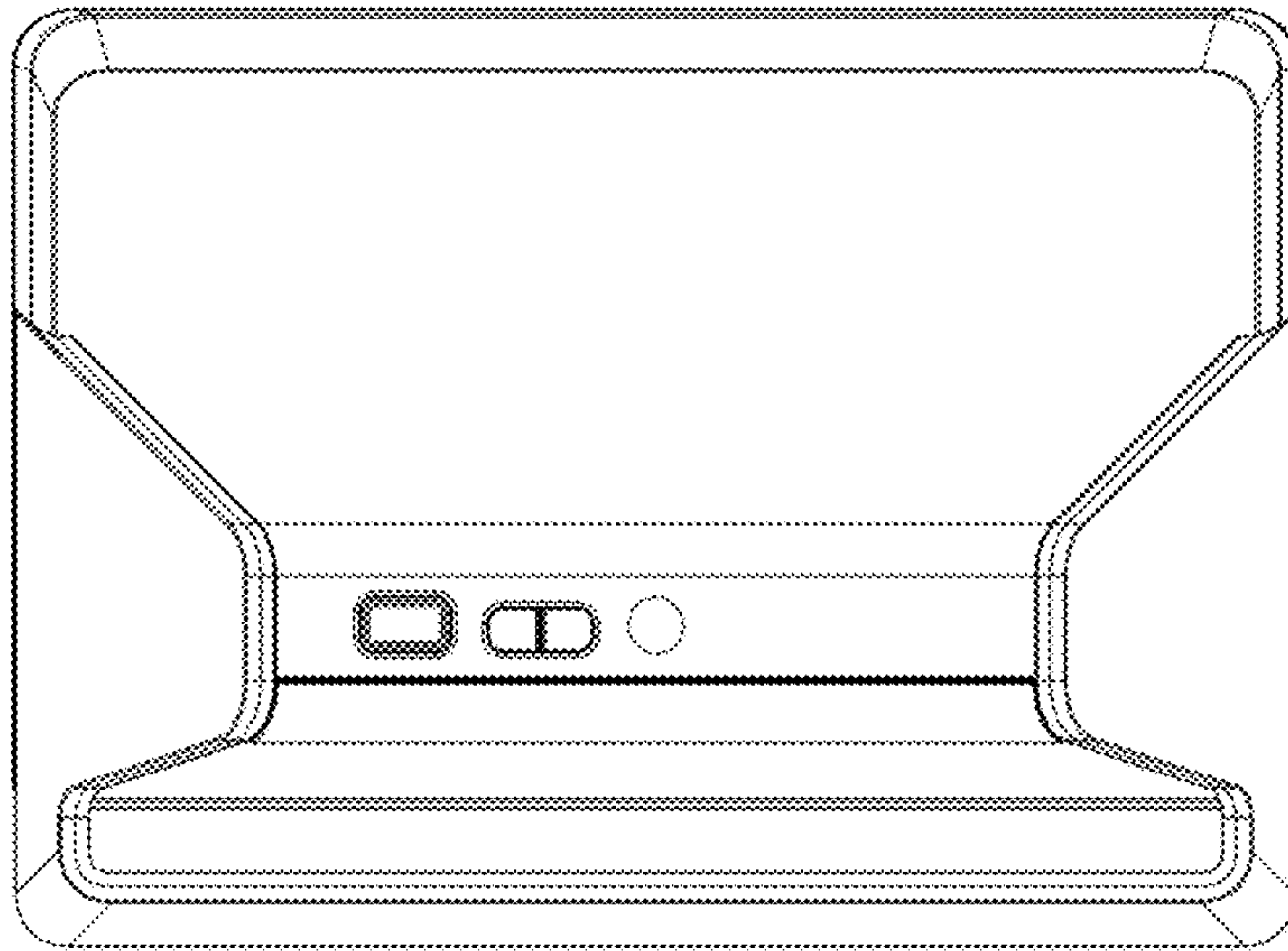


FIG. 4

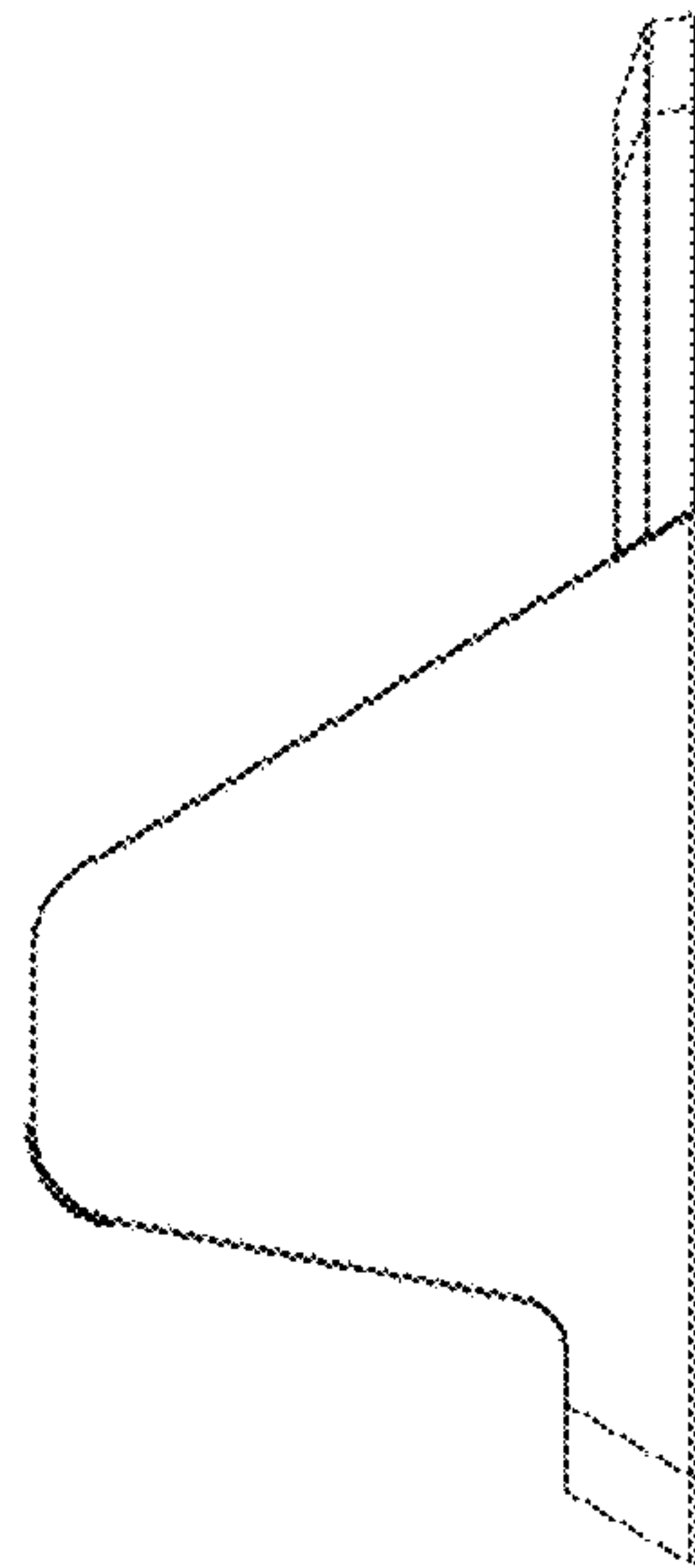


FIG. 5

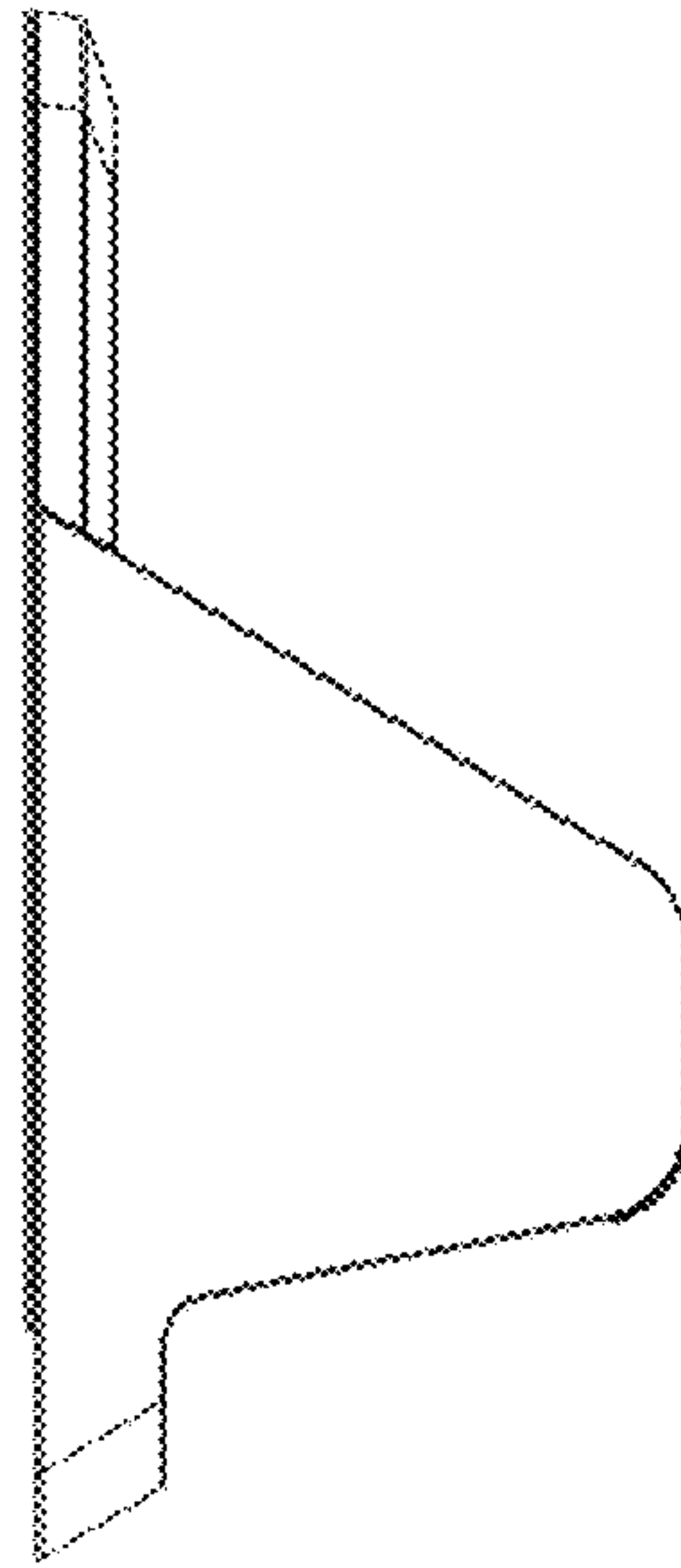


FIG. 6



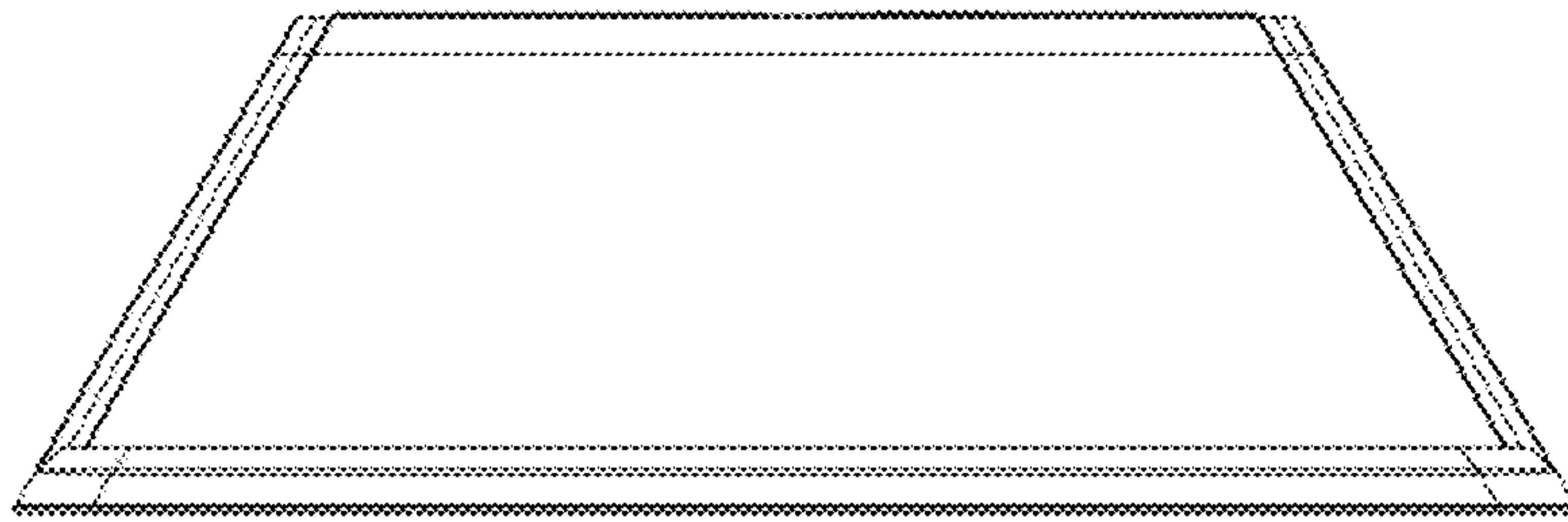


FIG. 7

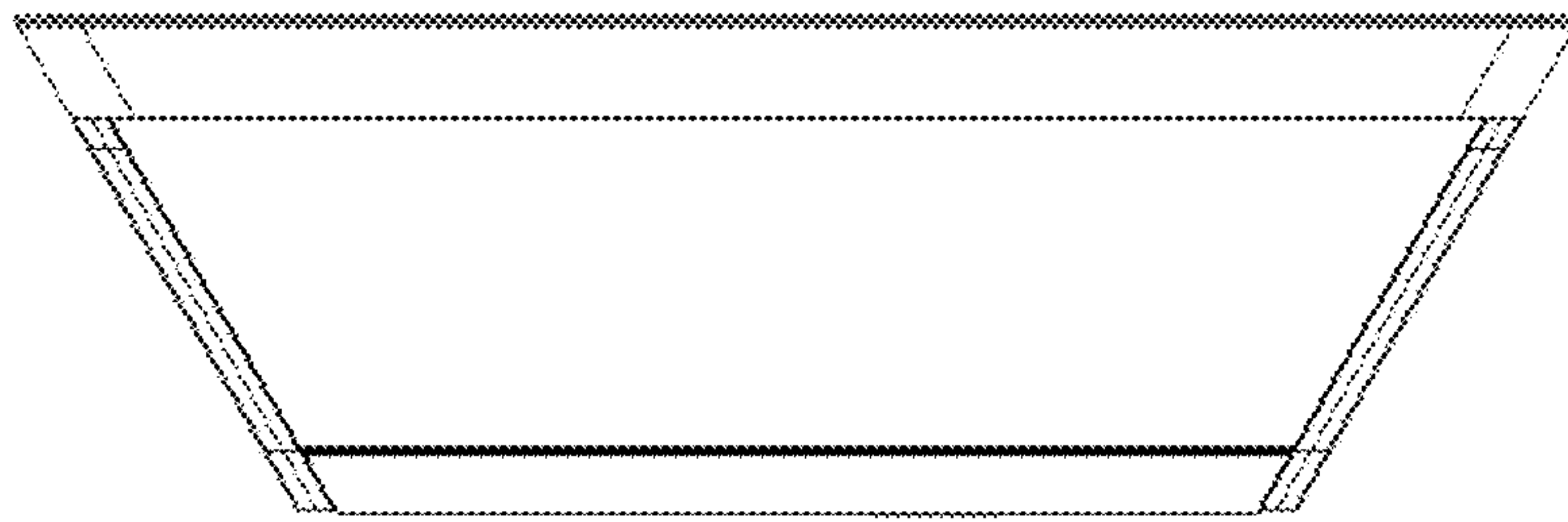


FIG 8