



US00D929393S

(12) **United States Design Patent**  
**Chen**

(10) **Patent No.:** **US D929,393 S**

(45) **Date of Patent:** **\*\* Aug. 31, 2021**

(54) **CELL PHONE STAND HOLDER**

(71) Applicant: **Yongru Chen**, Putian (CN)

(72) Inventor: **Yongru Chen**, Putian (CN)

(\*\*) Term: **15 Years**

(21) Appl. No.: **29/752,795**

(22) Filed: **Sep. 29, 2020**

(51) **LOC (13) Cl.** ..... **14-03**

(52) **U.S. Cl.**  
USPC ..... **D14/253**

(58) **Field of Classification Search**  
USPC ..... D14/251–253, 447, 440, 217; D3/218;  
D13/108  
CPC ..... A45F 2200/0516; A63B 2225/685; A45C  
2011/002

See application file for complete search history.

(56) **References Cited**

**U.S. PATENT DOCUMENTS**

D651,213 S *	12/2011	Magness	.....	D14/447
D664,528 S	7/2012	Chen et al.		
D666,614 S	9/2012	Ding		
D671,934 S	12/2012	Alman et al.		
D688,235 S	8/2013	Song		
D703,676 S *	4/2014	Smith	.....	D14/447
D760,214 S	6/2016	Kemper		
D772,812 S *	11/2016	Choe	.....	D13/108
D779,478 S *	2/2017	Justiss	.....	D14/253
D789,348 S	6/2017	Kim		
D812,564 S *	3/2018	Feng	.....	D13/108

D840,930 S *	2/2019	Lu	.....	D13/108
D879,765 S *	3/2020	Zhang	.....	D14/253
D912,654 S *	3/2021	Weng	.....	D14/253

**OTHER PUBLICATIONS**

<https://www.amazon.com/dp/B0861VW7JZ>; Jun. 2, 2020.

\* cited by examiner

*Primary Examiner* — Janice Hallmark

(74) *Attorney, Agent, or Firm* — Rumit Ranjit Kanakia

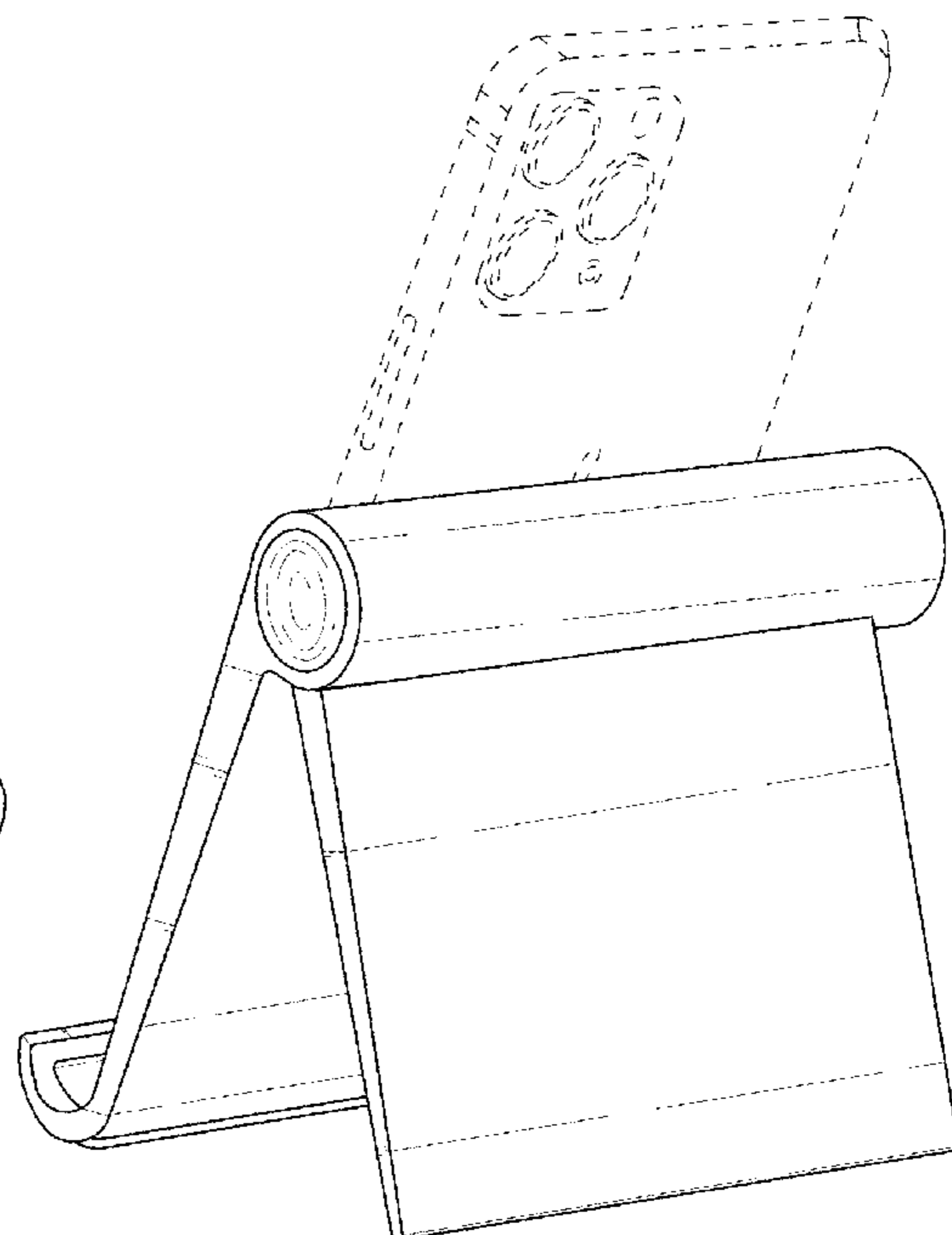
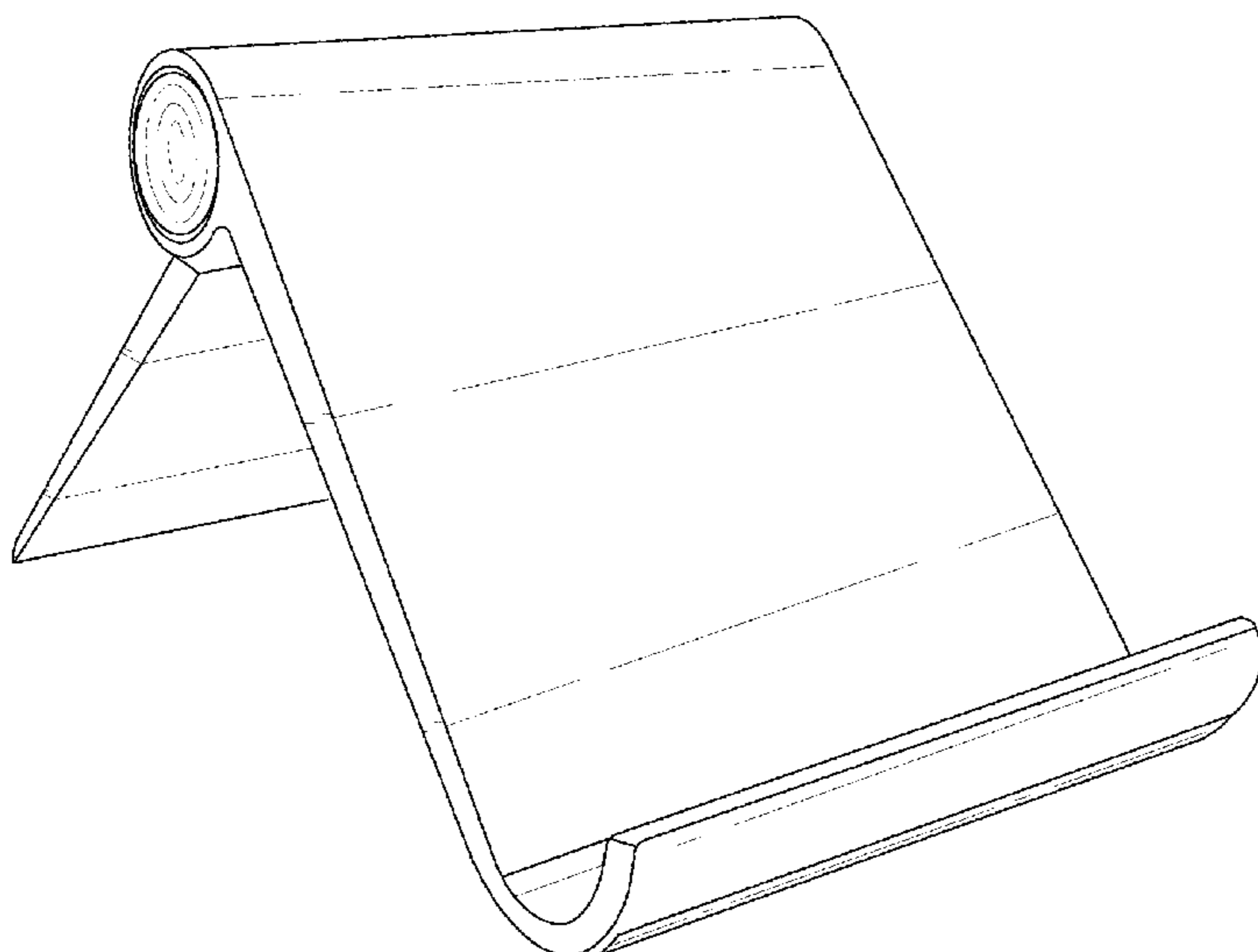
(57) **CLAIM**

I claim the ornamental design for a cell phone stand holder, as shown and described.

**DESCRIPTION**

FIG. 1 is a Perspective view of a cell phone stand holder showing my new design;  
 FIG. 2 is a Front view thereof;  
 FIG. 3 is a Back view thereof;  
 FIG. 4 is a Left-side view thereof;  
 FIG. 5 is a Right-side view thereof;  
 FIG. 6 is a Top view thereof; and  
 FIG. 7 is a Bottom view thereof;  
 FIG. 8 is other perspective view of a cell phone stand holder showing with tablet; and,  
 FIG. 9 is another perspective view of a cell phone stand holder showing with cell phone.  
 The broken lines in FIG. 8 and FIG. 9 depicting a tablet and a cell phone illustrate environmental subject matter and form no part of the claimed design.

**1 Claim, 9 Drawing Sheets**



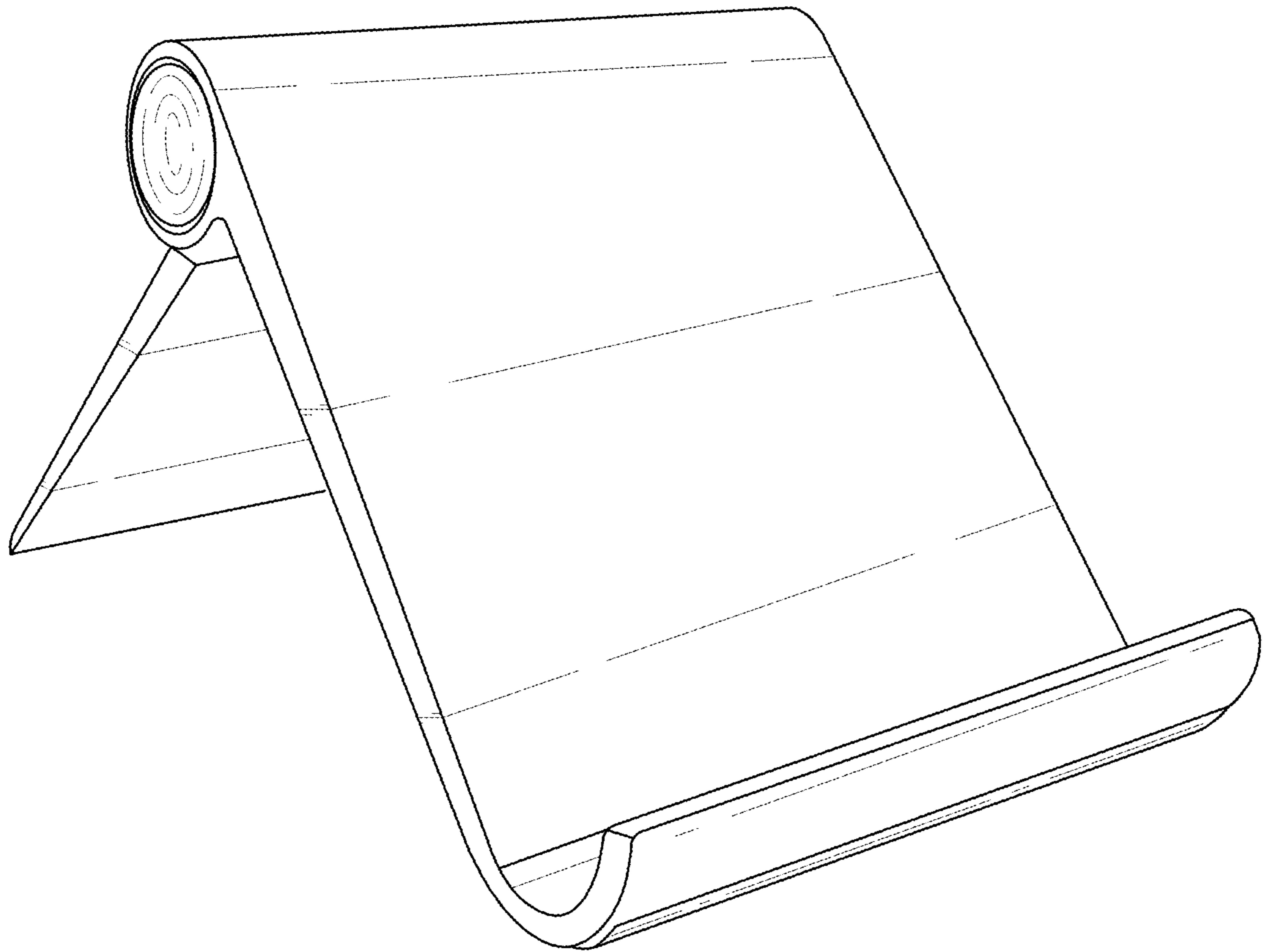


FIG. 1

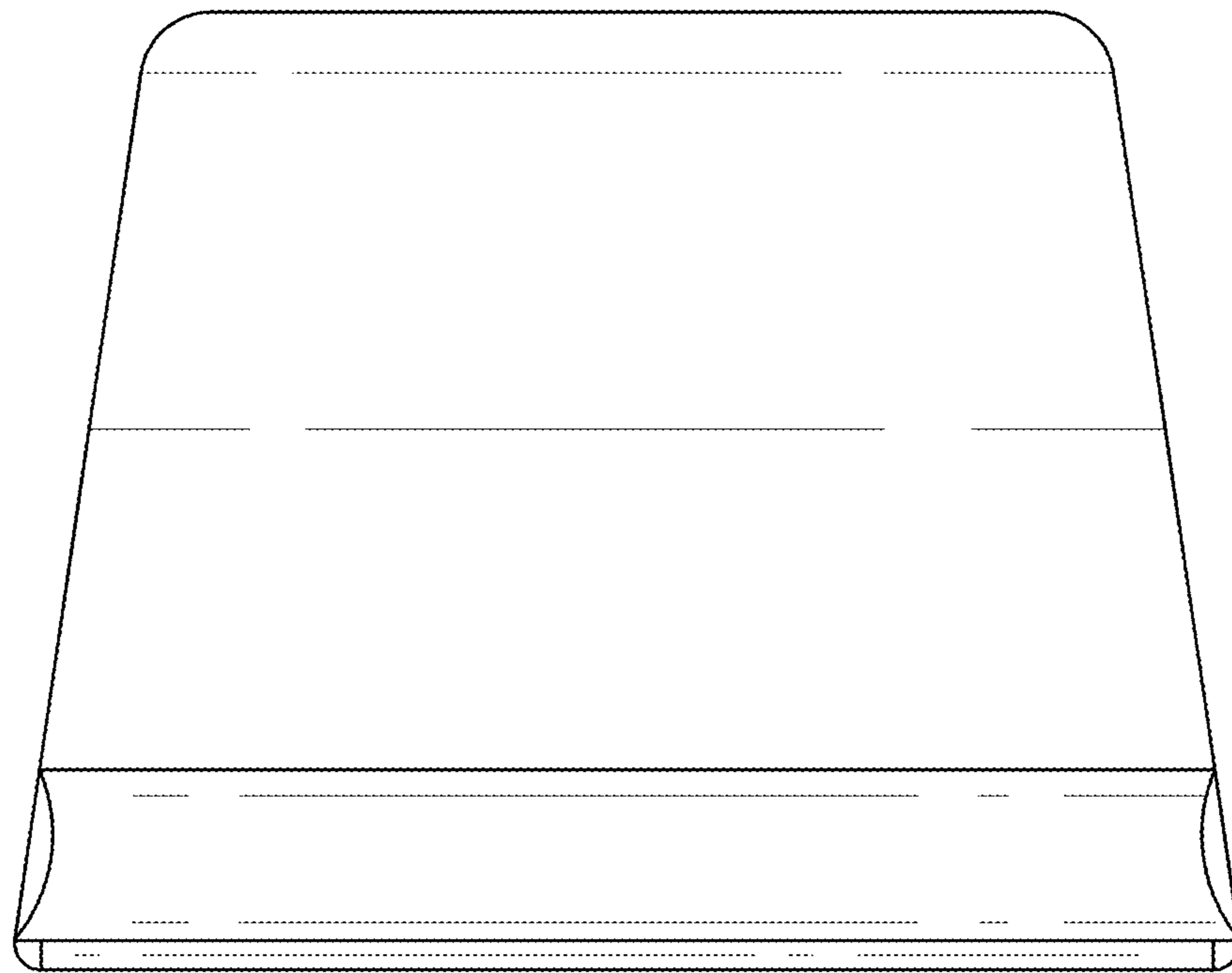


FIG. 2

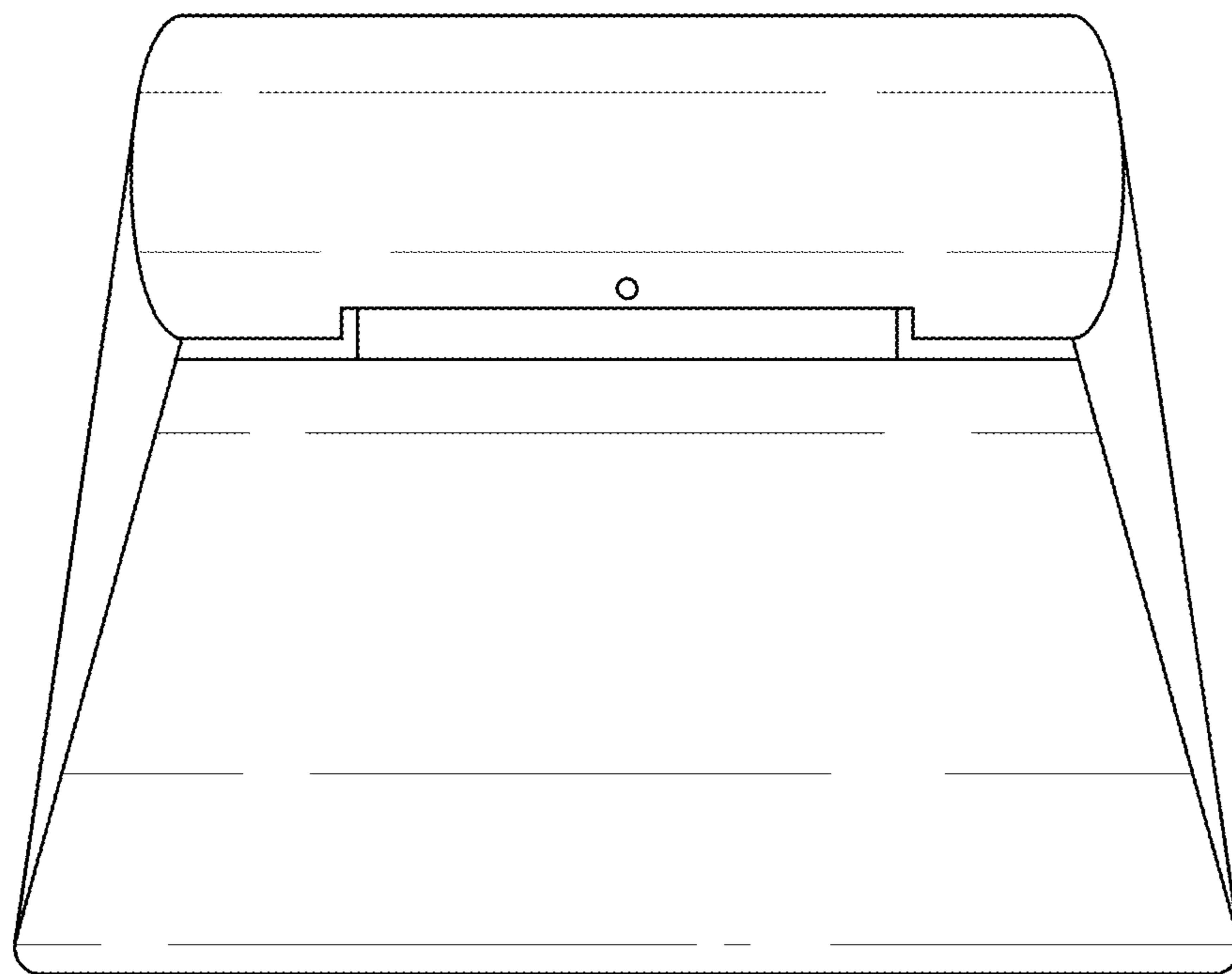


FIG. 3

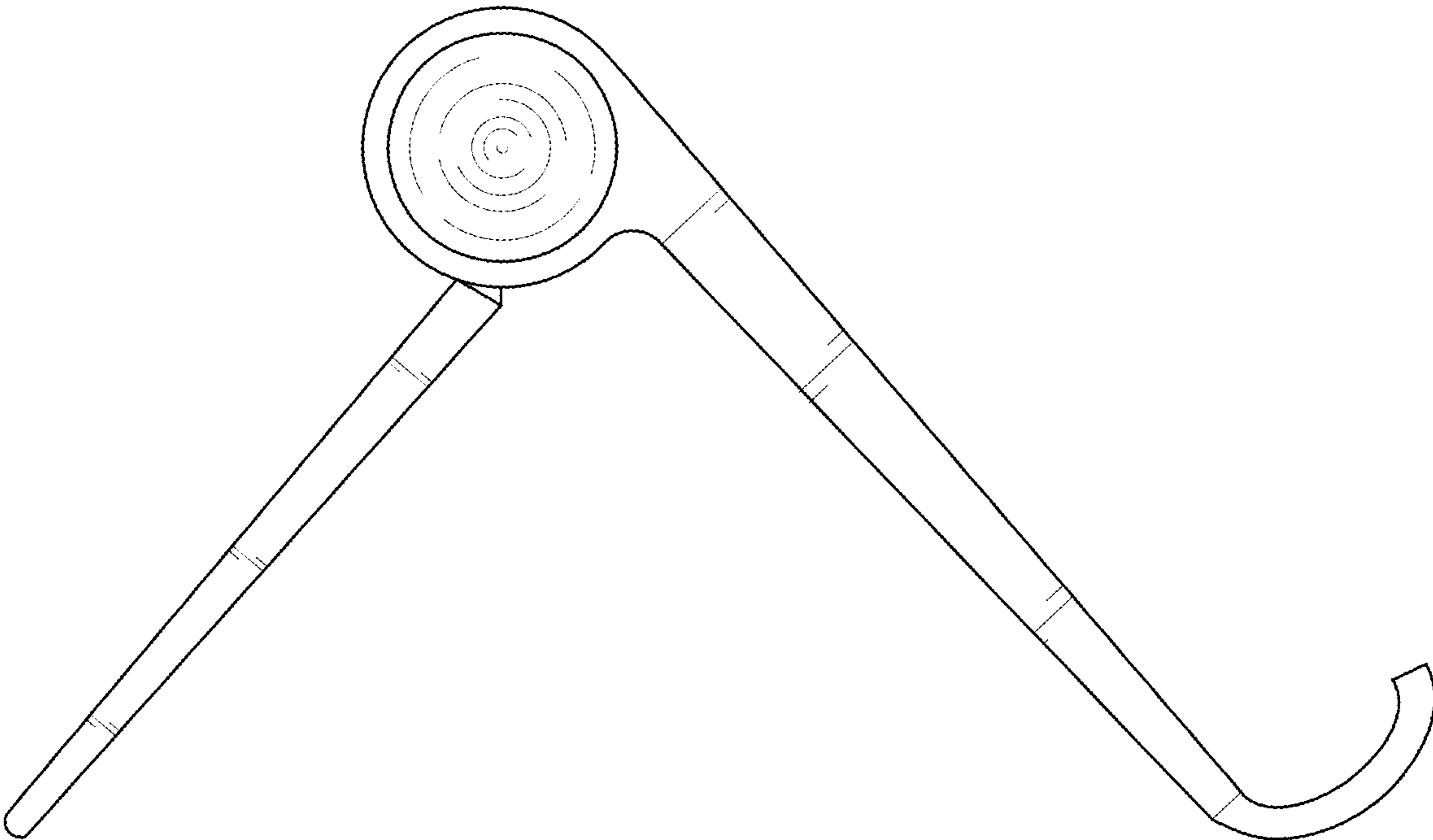


FIG. 4

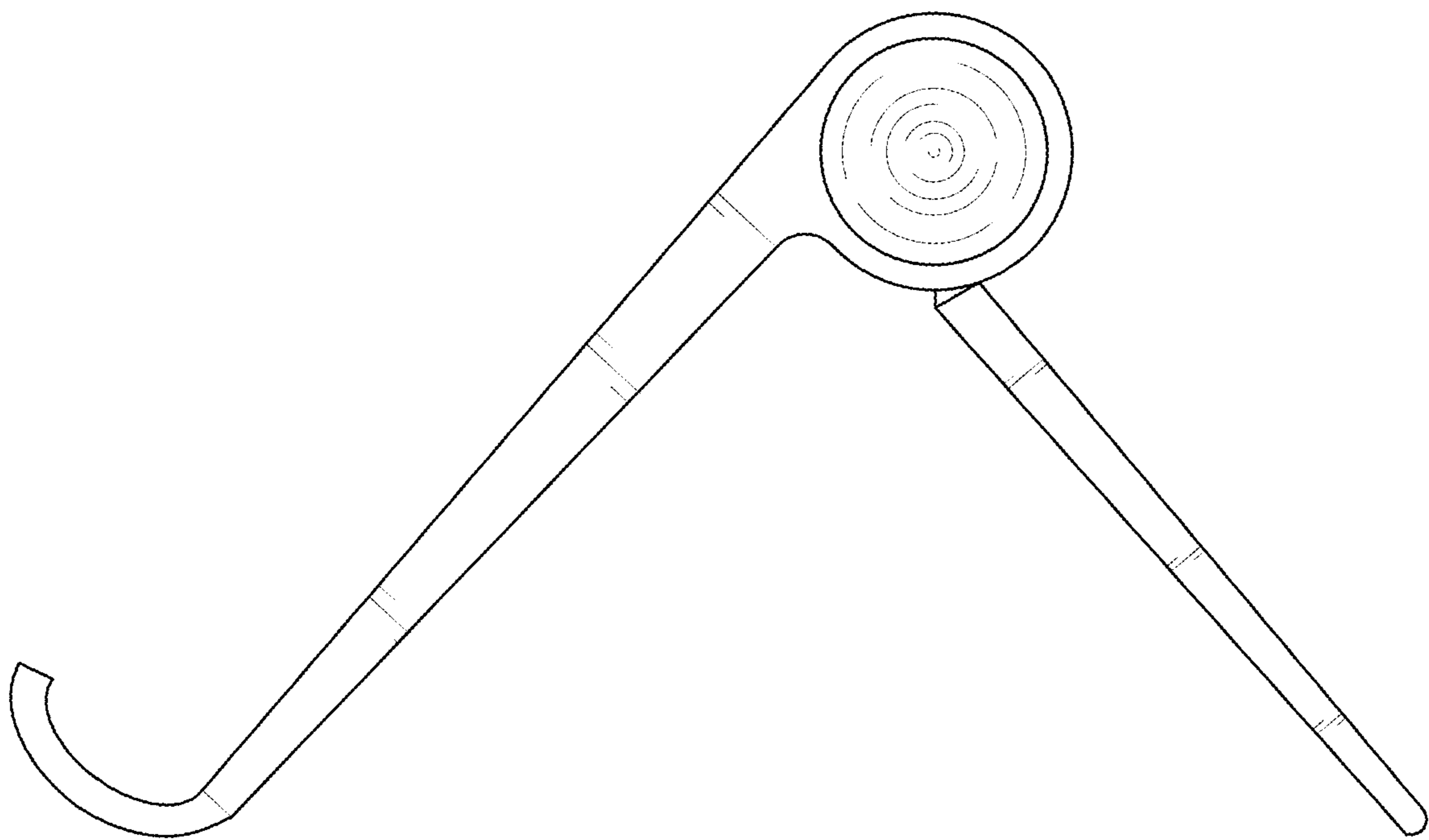


FIG. 5

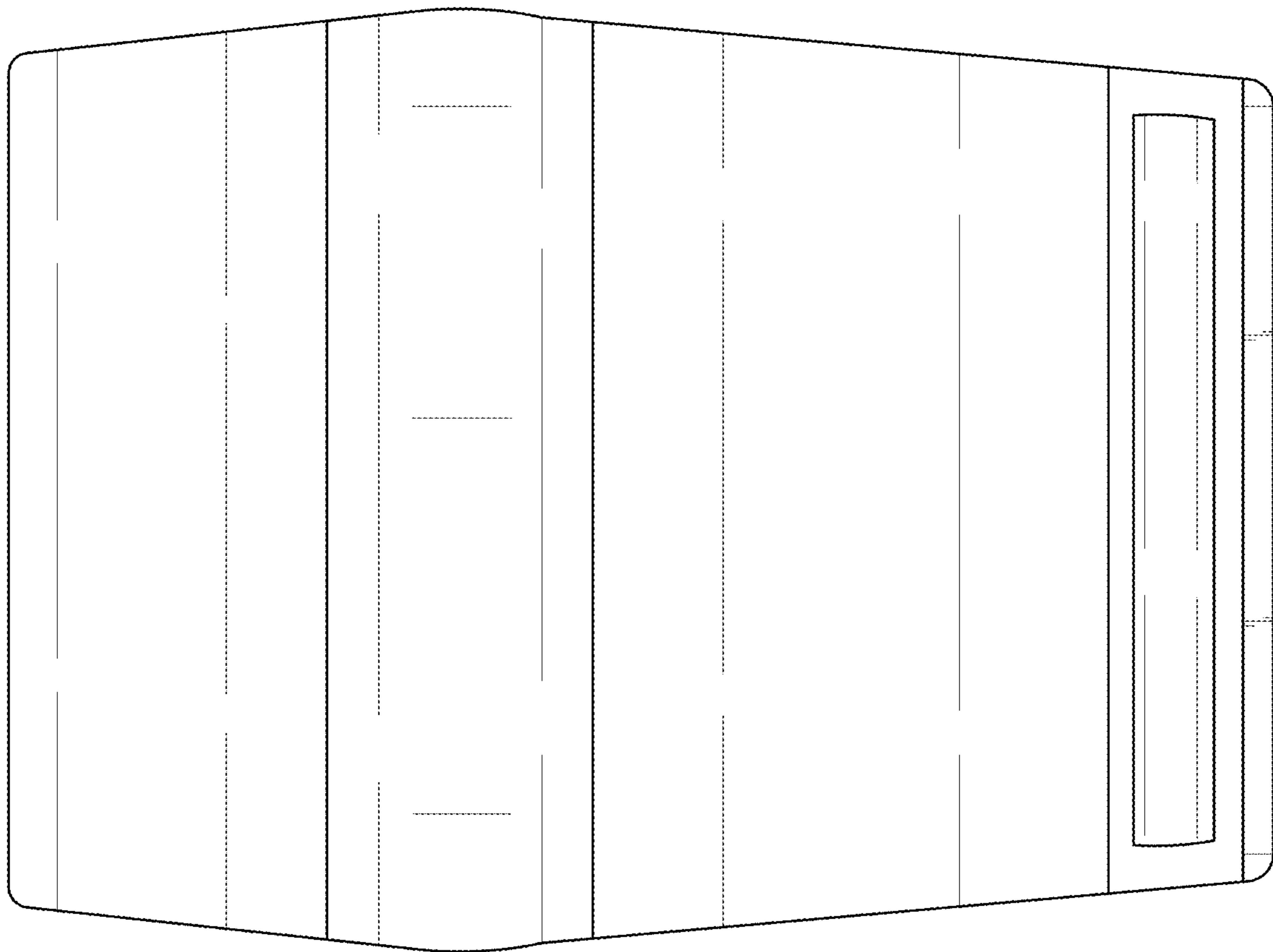


FIG. 6

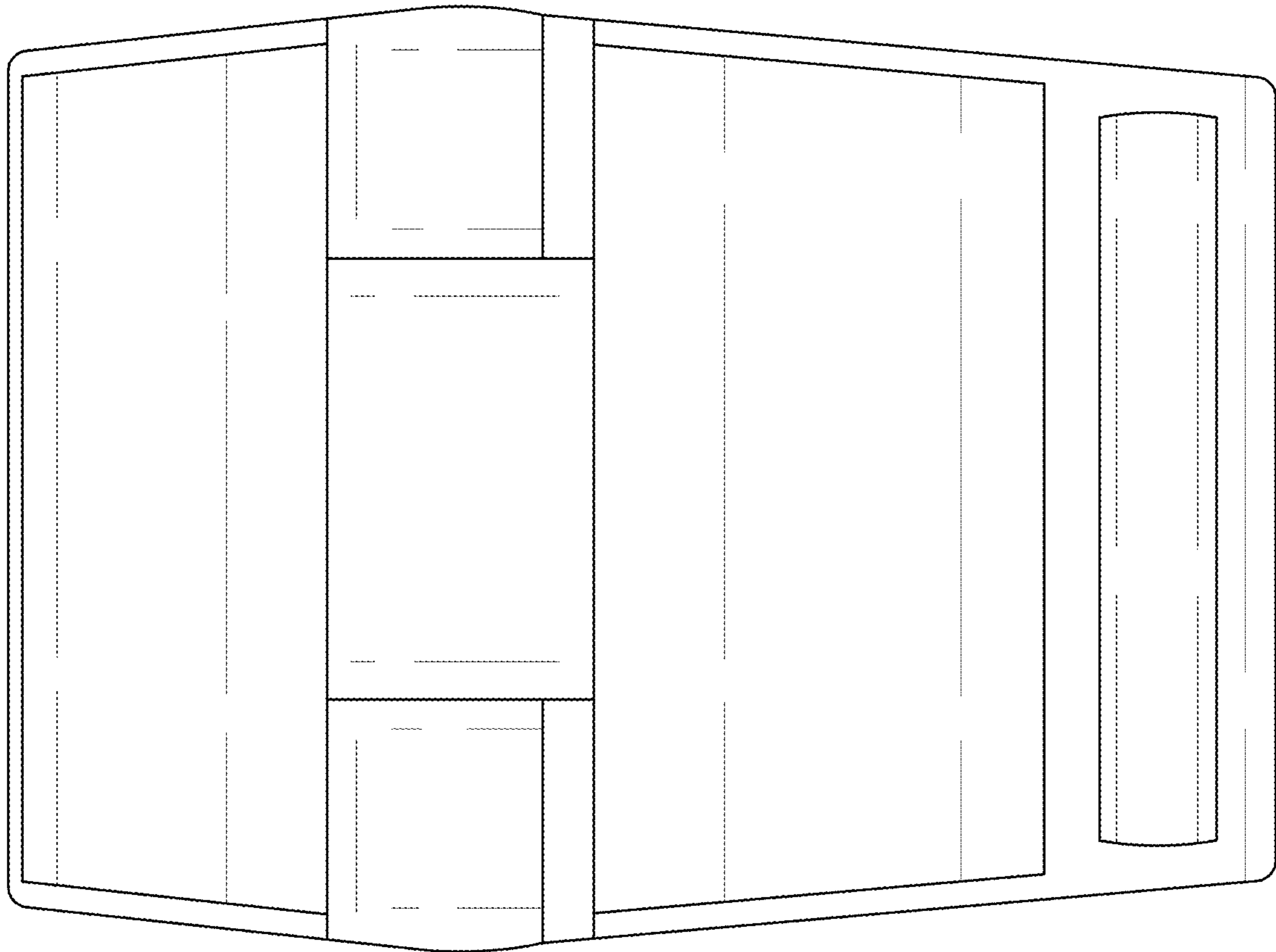


FIG. 7



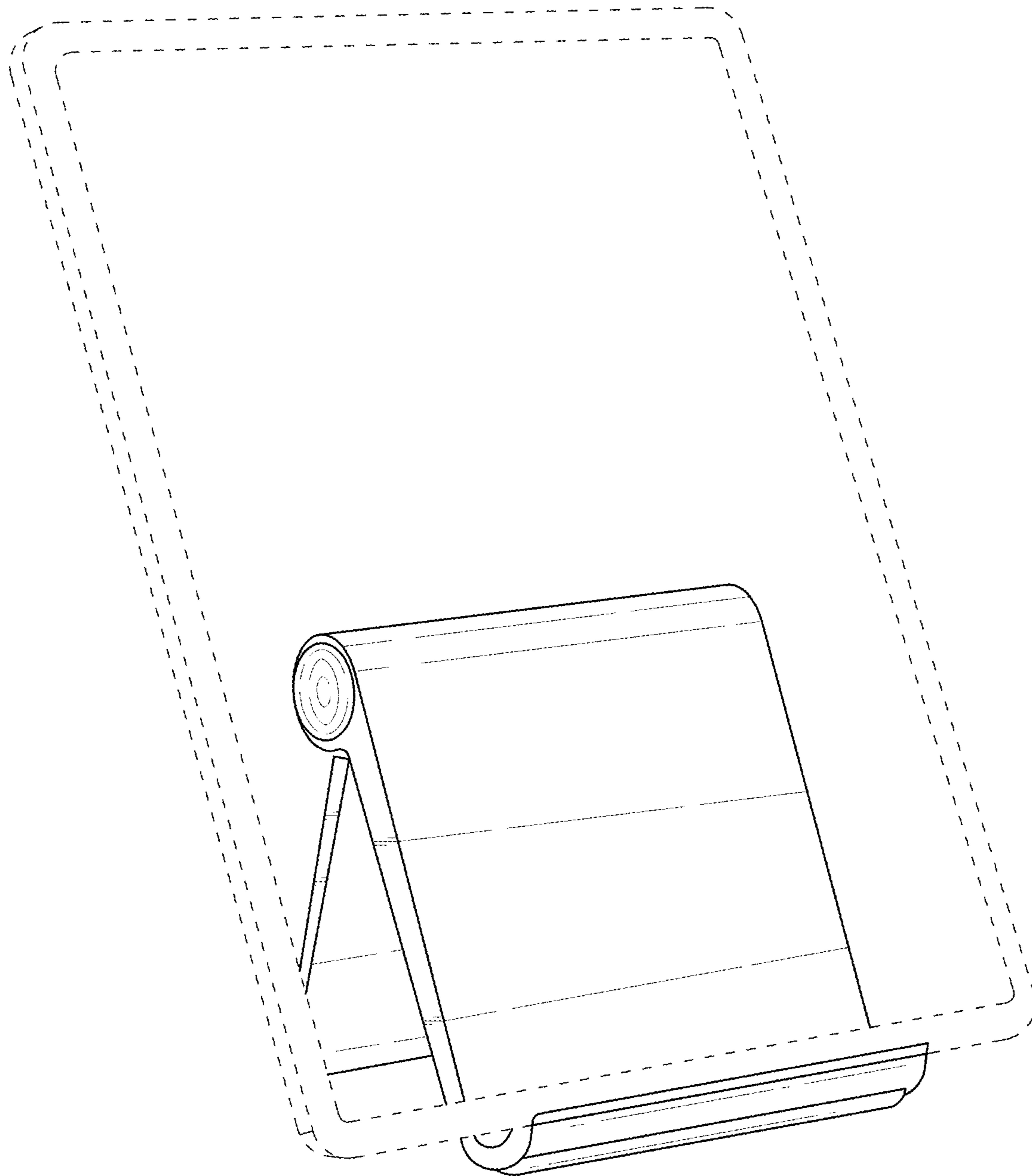


FIG. 8

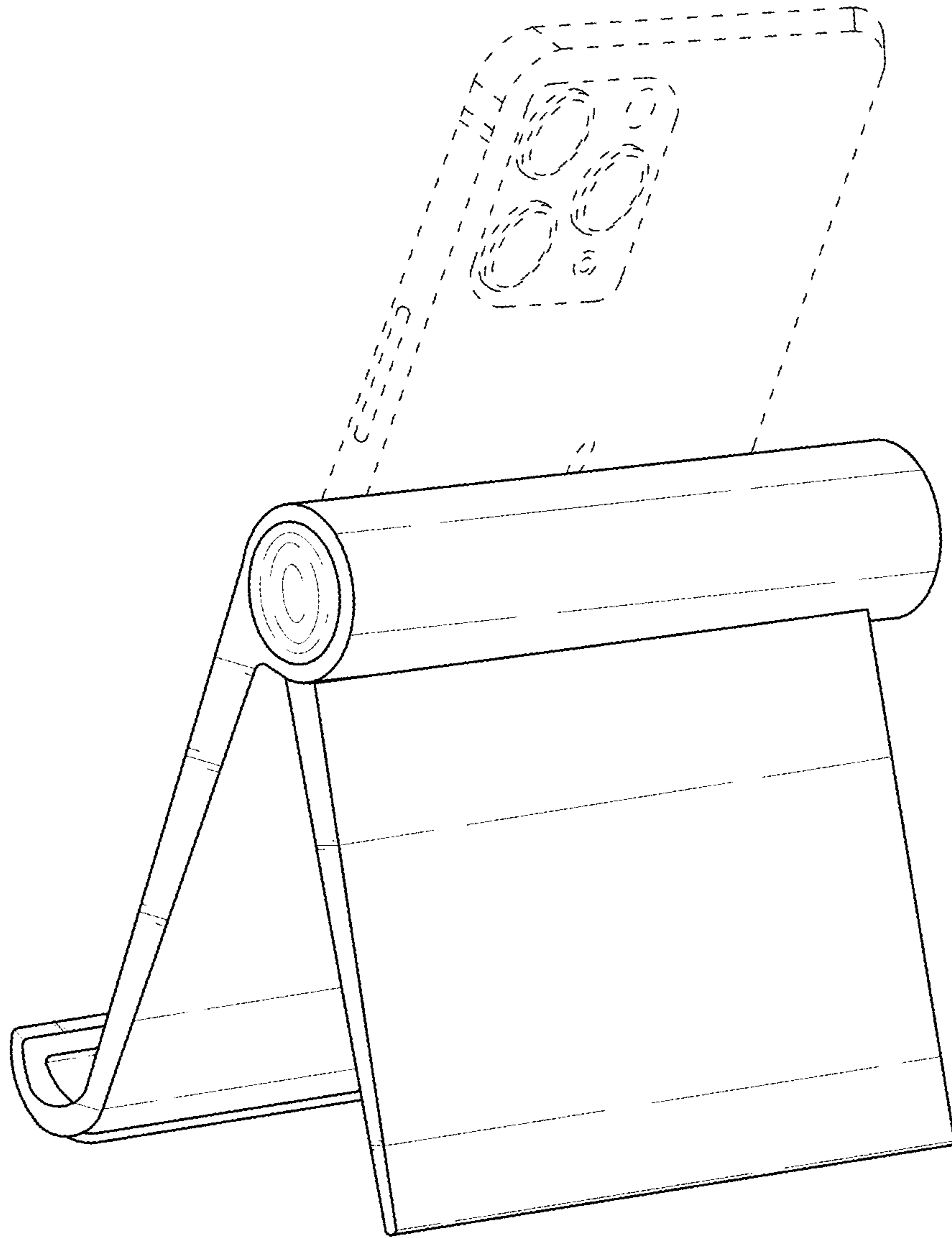


FIG. 9