



US00D929392S

(12) **United States Design Patent**
Shi

(10) **Patent No.:** **US D929,392 S**

(45) **Date of Patent:** **** Aug. 31, 2021**

(54) **CAR PHONE MOUNT**

(71) Applicant: **Xinfeng Shi**, Xianyou (CN)

(72) Inventor: **Xinfeng Shi**, Xianyou (CN)

(**) Term: **15 Years**

(21) Appl. No.: **29/752,790**

(22) Filed: **Sep. 29, 2020**

(51) **LOC (13) Cl.** **14-03**

(52) **U.S. Cl.**
USPC **D14/253**

(58) **Field of Classification Search**

USPC D14/251–253, 447, 440, 217; D3/218;
D13/108

CPC A45F 2200/0516; A63B 2225/685; A45C
2011/002

See application file for complete search history.

(56) **References Cited**

U.S. PATENT DOCUMENTS

D654,120	S	*	2/2012	Lin	D21/333
D718,297	S	*	11/2014	Aspinall	D14/253
D769,235	S	*	10/2016	Li	D14/253
D817,317	S		5/2018	Lee		
D818,421	S		5/2018	Hu		
D832,248	S	*	10/2018	Sukphist	D14/253
D833,369	S	*	11/2018	Lan	D12/415
D879,090	S		3/2020	Chung		
D879,766	S	*	3/2020	Fan	D14/253
D892,787	S	*	8/2020	Chen	D14/253
2010/0320341	A1	*	12/2010	Baumann	F16B 47/006 248/206.2

OTHER PUBLICATIONS

<https://www.amazon.com/dp/B0861WP1NF>; Jun. 2, 2020.

* cited by examiner

Primary Examiner — Janice Hallmark

(74) *Attorney, Agent, or Firm* — Rumit Rankjit Kanakia

(57) **CLAIM**

I claim the ornamental design for a car phone mount, as shown and described.

DESCRIPTION

FIG. 1 is a Perspective view of a car phone mount showing my new design;

FIG. 2 is a Front view thereof;

FIG. 3 is a Back view thereof;

FIG. 4 is a Left-side view thereof;

FIG. 5 is a Right-side view thereof;

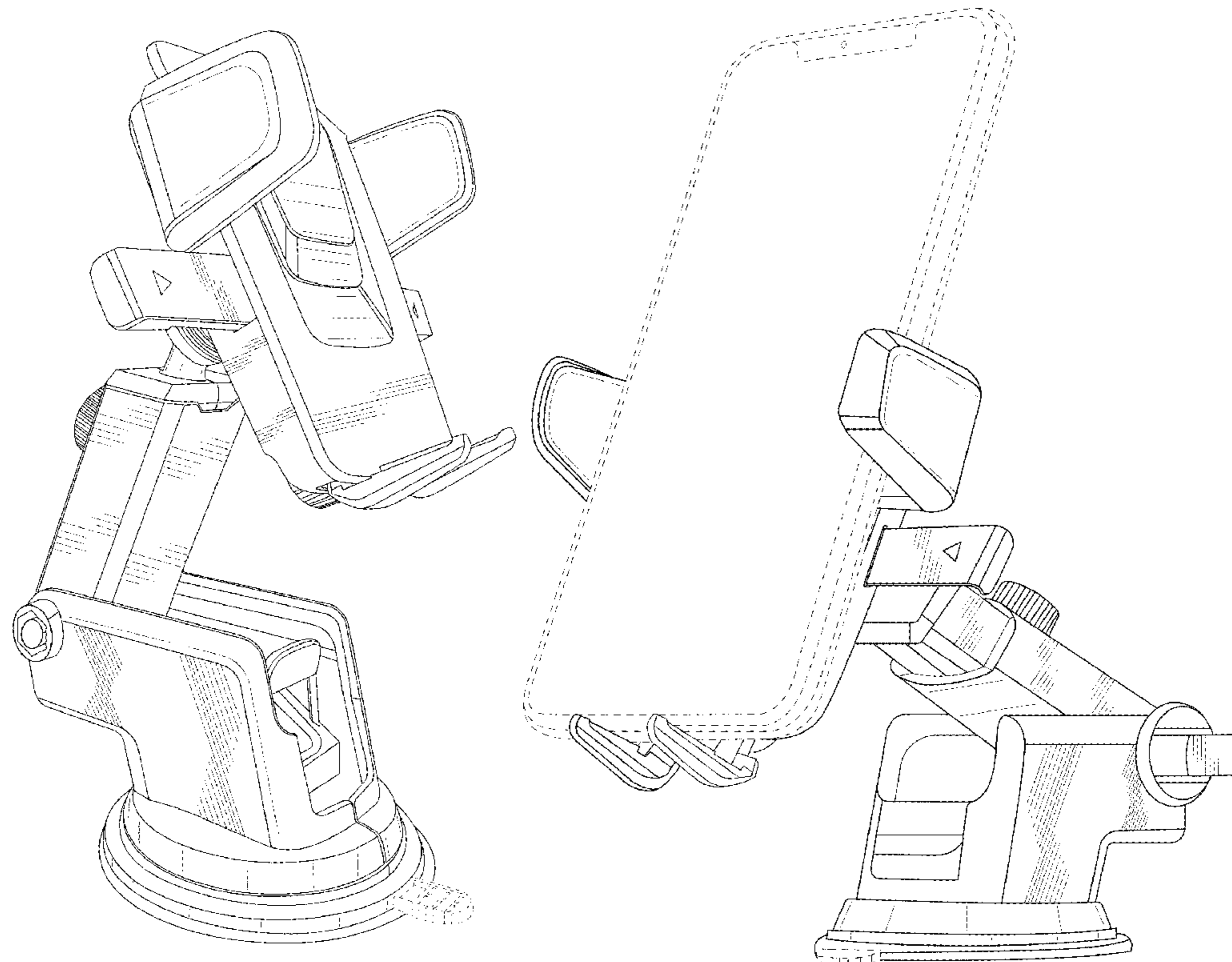
FIG. 6 is a Top view thereof; and

FIG. 7 is a Bottom view thereof; and,

FIG. 8 is other perspective view of a car phone mount showing with phone.

The broken lines are for the purpose of illustrating portions of the car phone mount that form no part of the claimed design. Additional broken lines in FIG. 8 depicting a cell phone illustrate environmental subject matter and form no part of the claimed design.

1 Claim, 8 Drawing Sheets



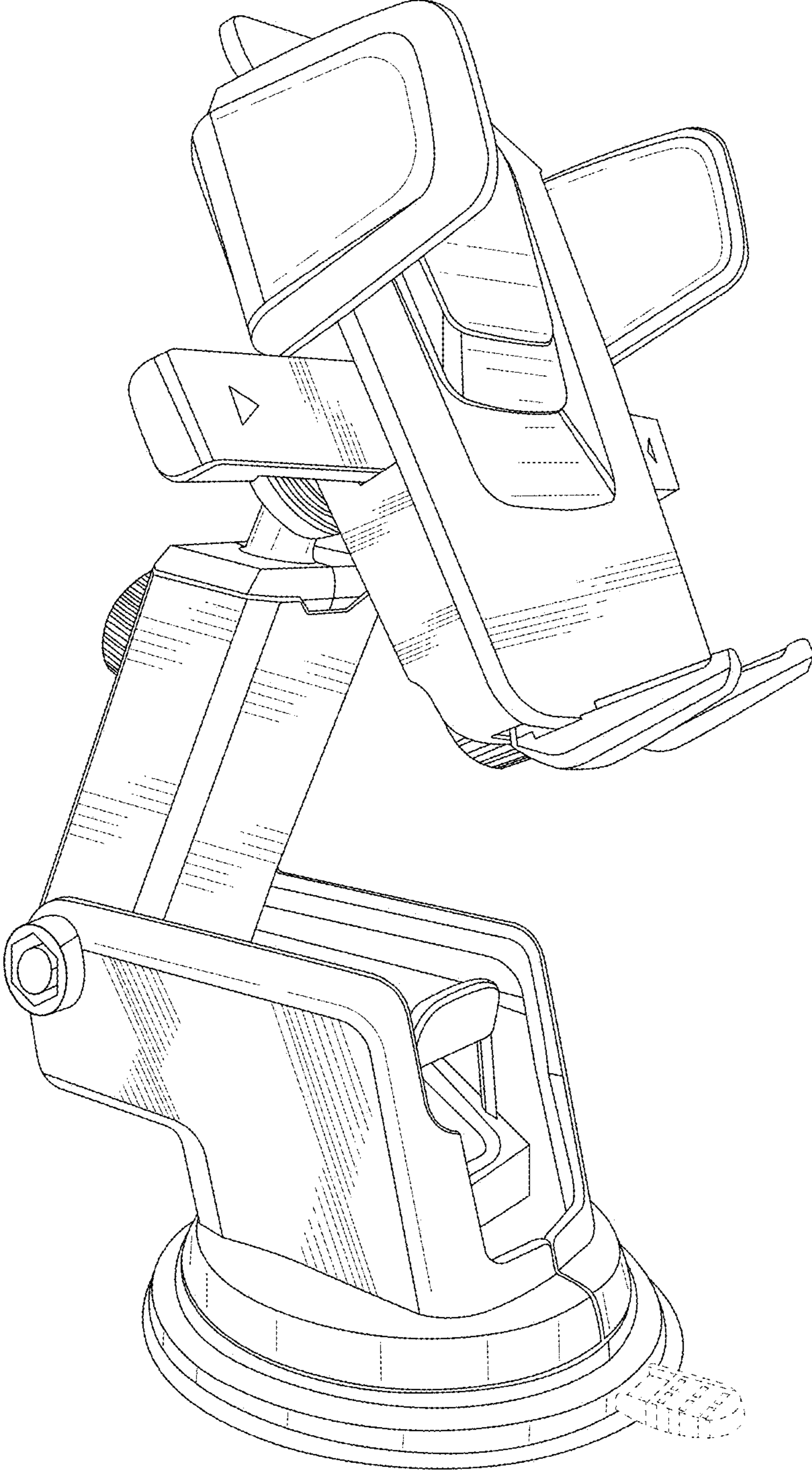


FIG. 1

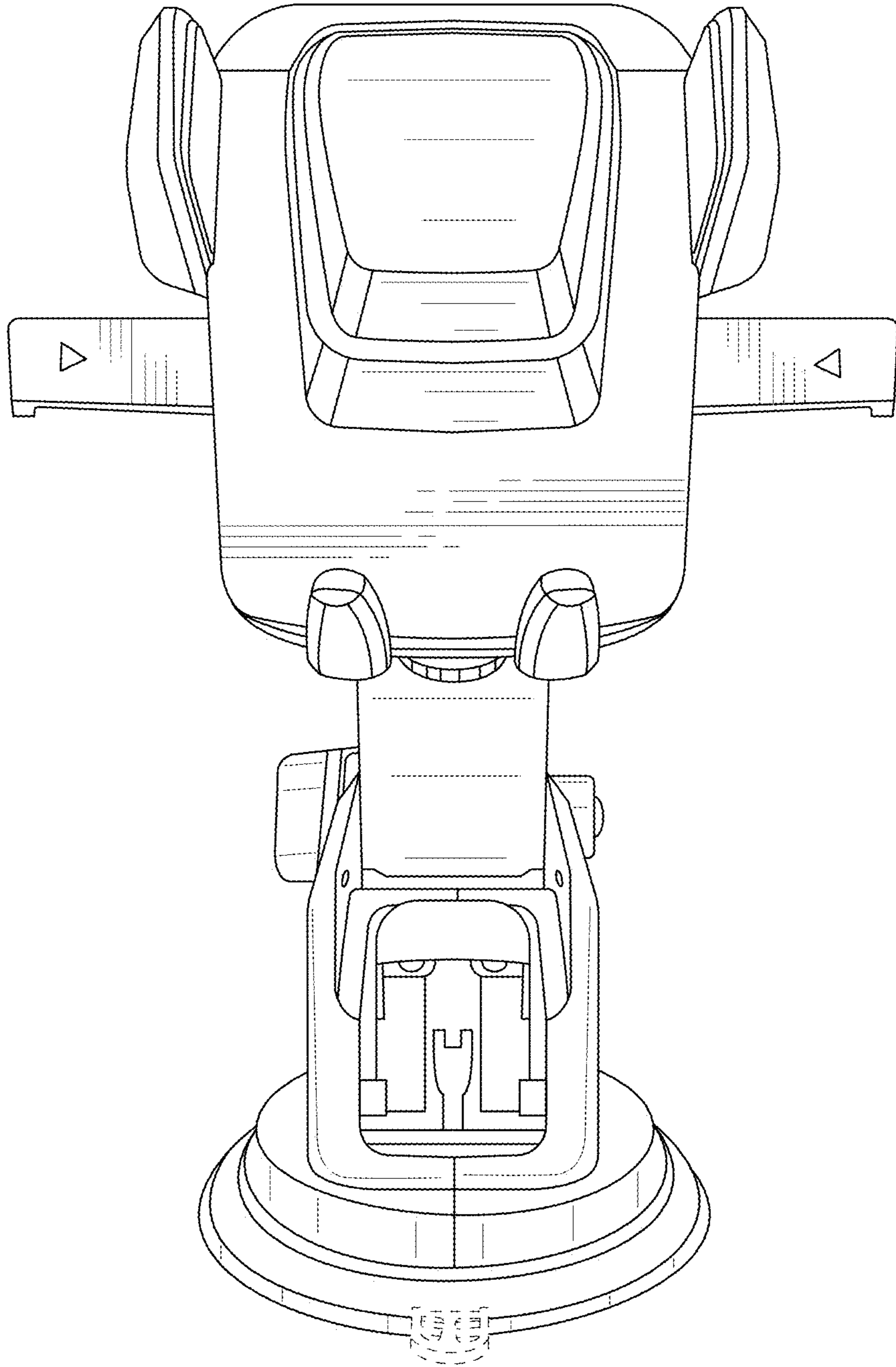


FIG. 2

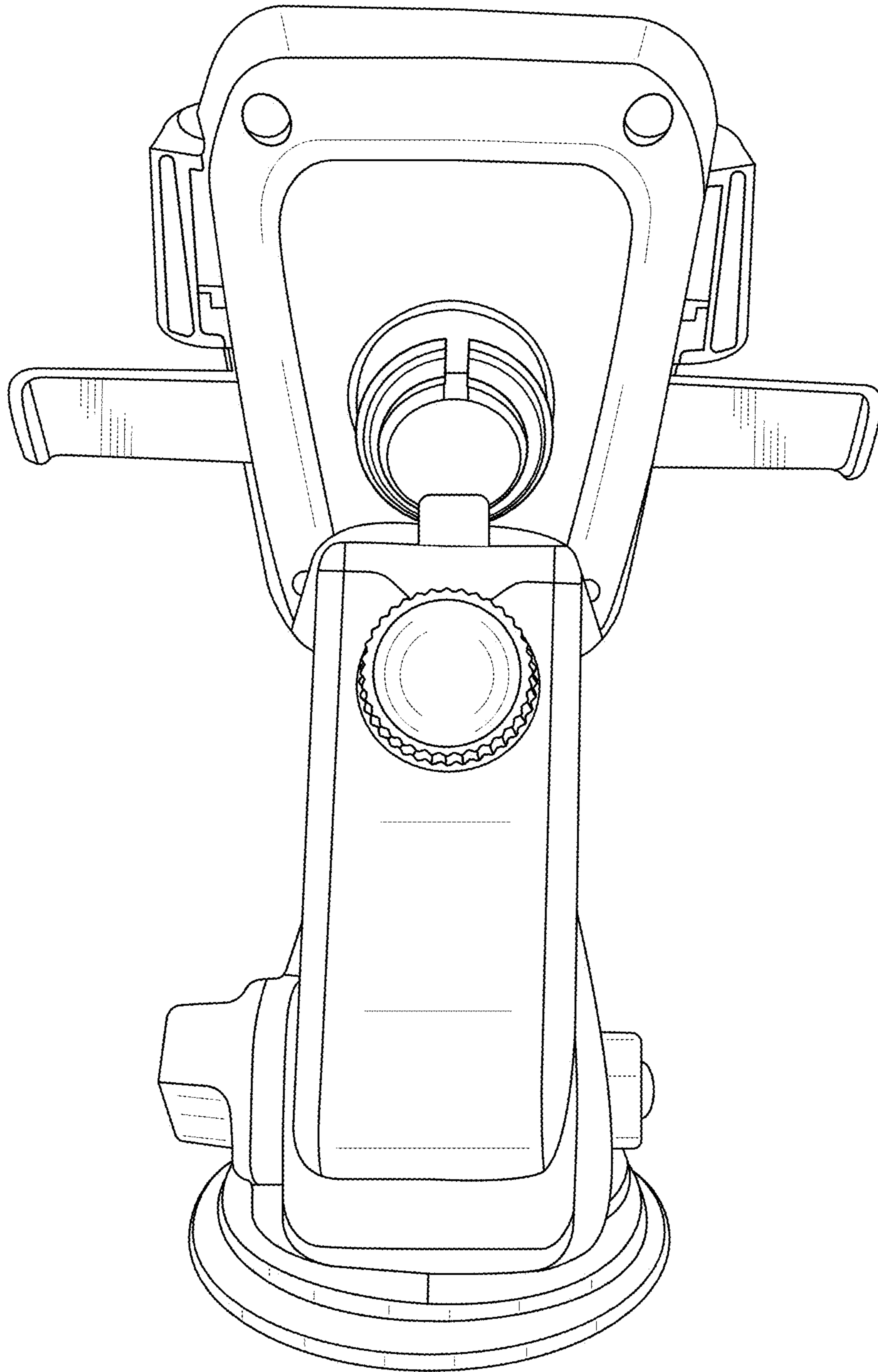


FIG. 3

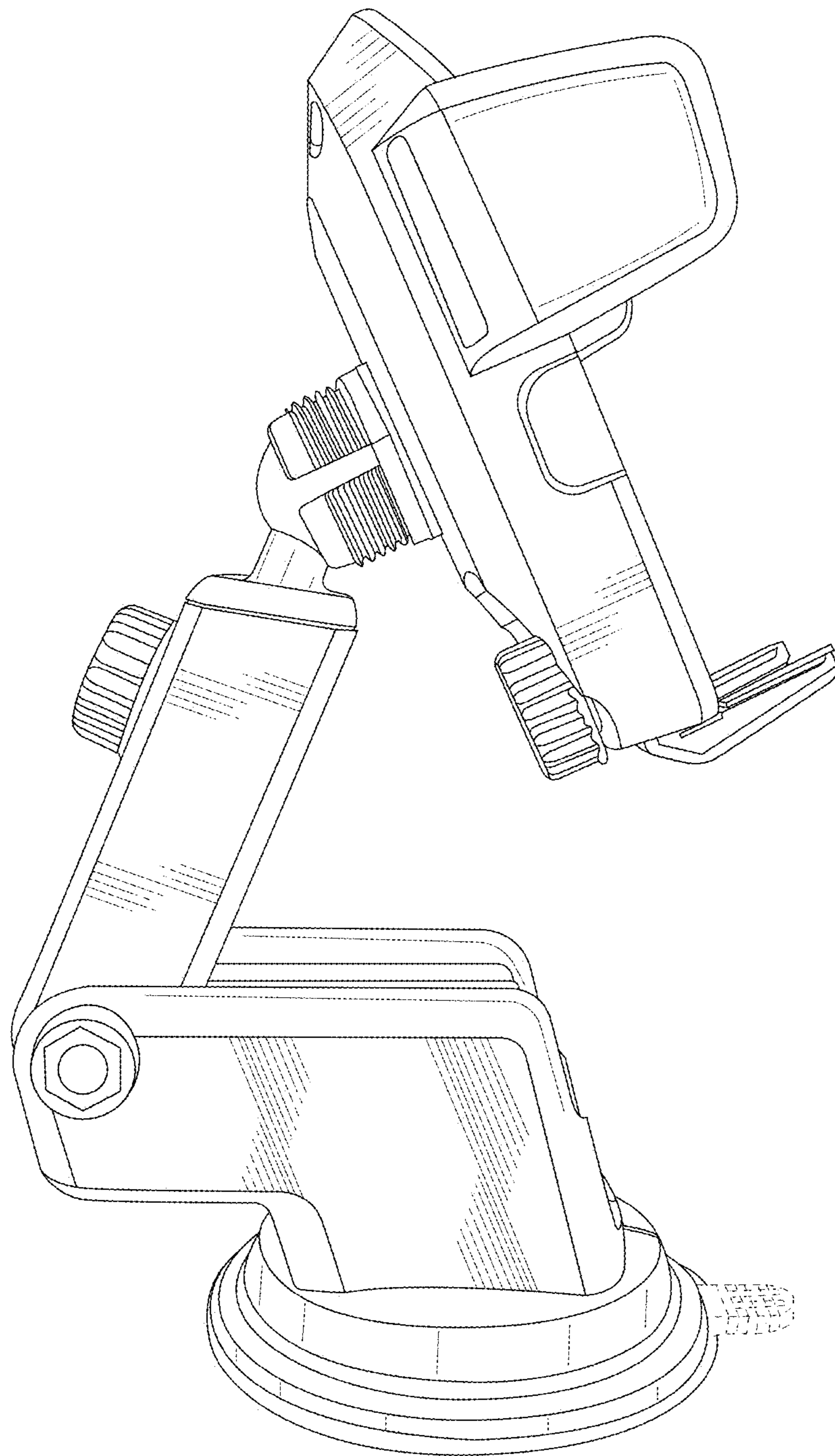


FIG. 4

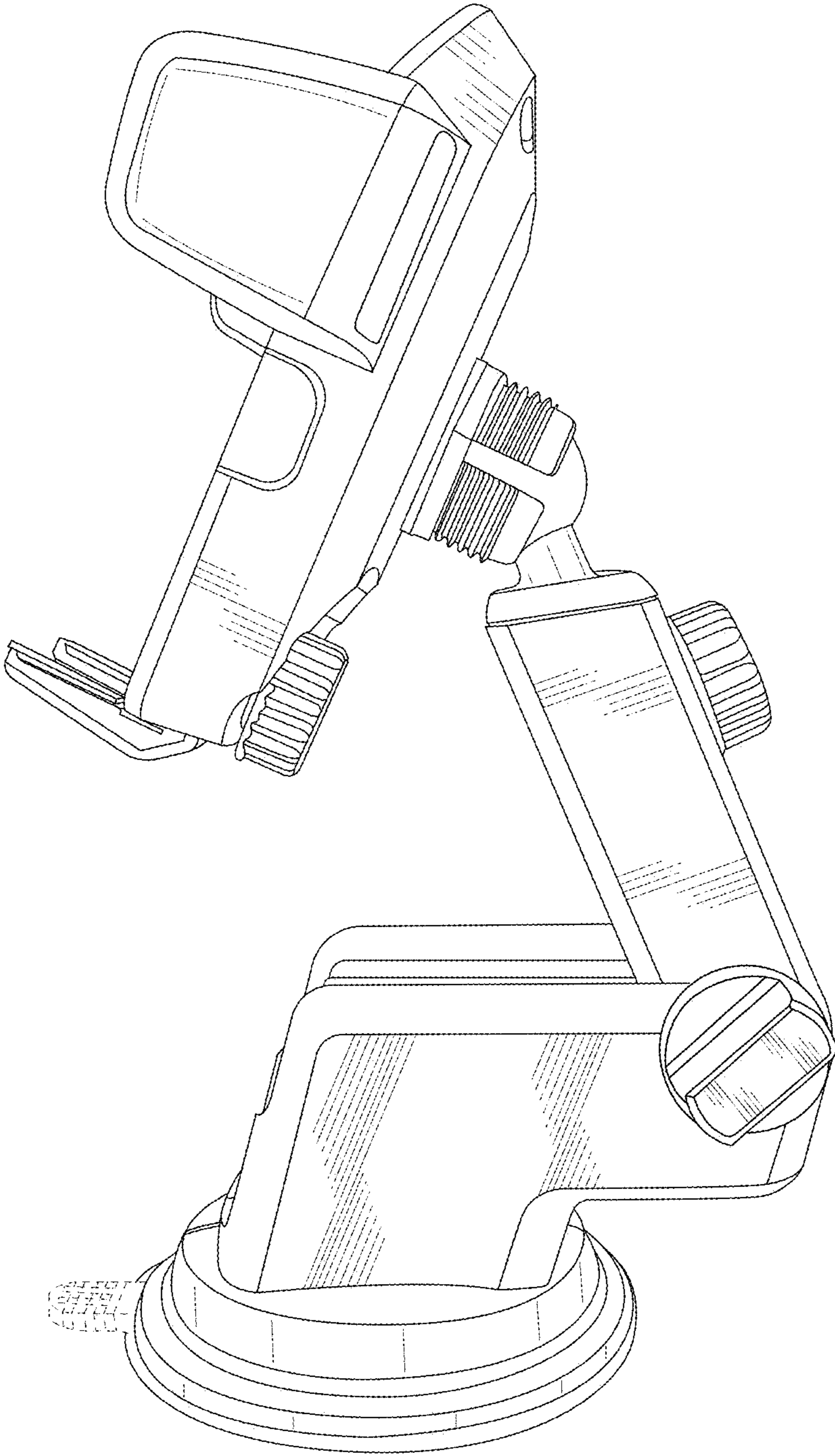


FIG. 5

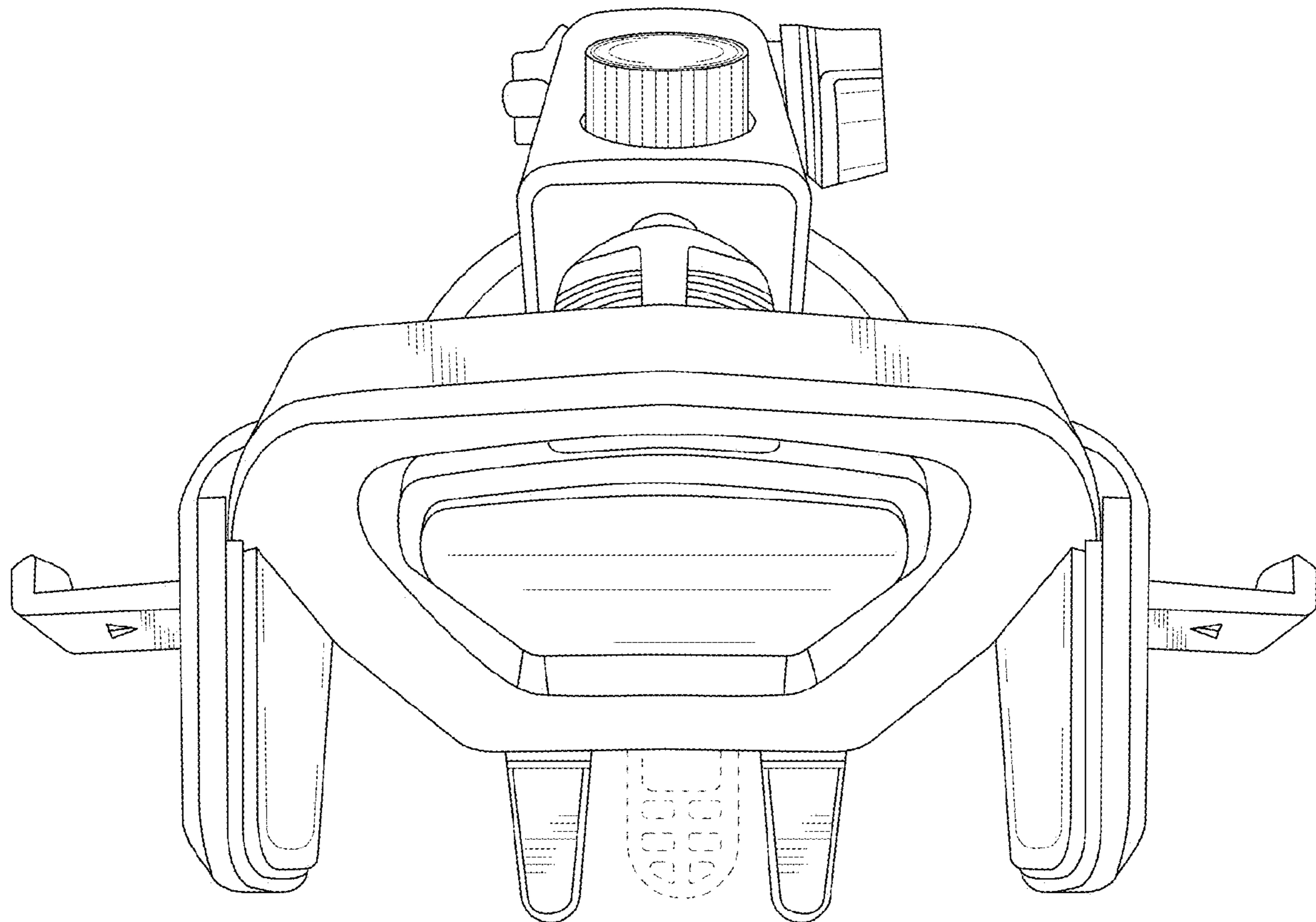


FIG. 6

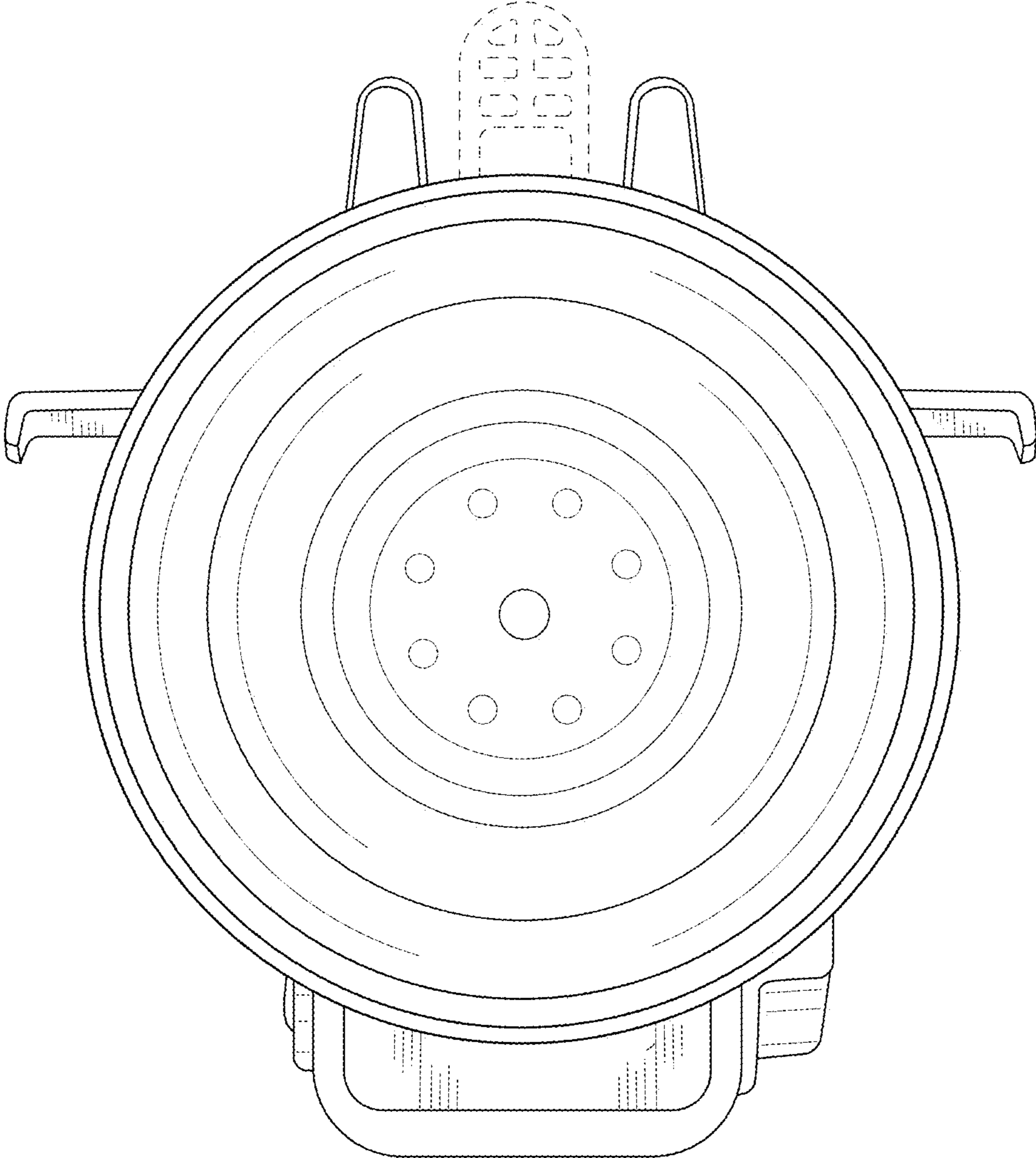


FIG. 7

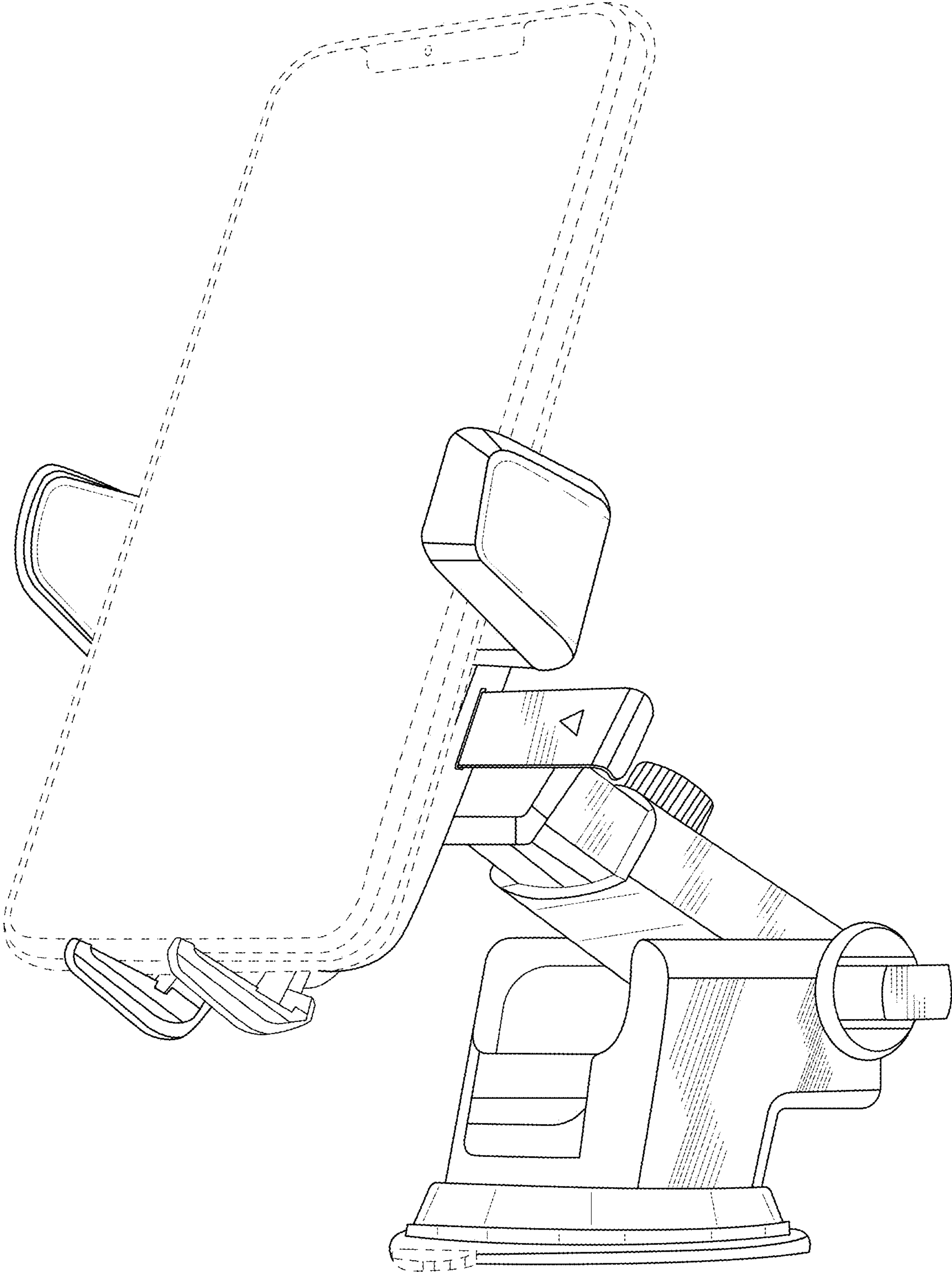


FIG. 8