



US00D929391S

(12) **United States Design Patent**
Chen

(10) **Patent No.:** **US D929,391 S**

(45) **Date of Patent:** **** Aug. 31, 2021**

(54) **PHONE HOLDER**

(71) Applicant: **Qiqun Chen**, Liuyang (CN)

(72) Inventor: **Qiqun Chen**, Liuyang (CN)

(**) Term: **15 Years**

(21) Appl. No.: **29/719,515**

(22) Filed: **Jan. 6, 2020**

(30) **Foreign Application Priority Data**

Dec. 11, 2019 (CN) 201930691265.4

(51) **LOC (13) Cl.** **14-03**

(52) **U.S. Cl.**

USPC **D14/253**

(58) **Field of Classification Search**

USPC D14/251–253, 250, 447, 217; D3/218;
D16/204, 242–244; D12/415; D8/354,
D8/363, 373, 380

CPC A47B 21/04; A47B 2097/006; A47B
2097/005; A47B 2023/49; A45C
2011/002; A45C 2011/003; F16M
2200/00; F16M 13/00; F16M 11/18;
F16M 11/04; B60R 11/02

See application file for complete search history.

(56) **References Cited**

U.S. PATENT DOCUMENTS

D407,408 S * 3/1999 Hoff D14/253
D478,741 S * 8/2003 White D19/77
D524,807 S * 7/2006 Topinka D14/253
7,099,467 B1 * 8/2006 Rohrbach G09B 15/00
379/441
D546,823 S * 7/2007 Dayan D14/253

7,611,114 B1 * 11/2009 Griffin A45F 5/00
248/311.2
D610,353 S * 2/2010 Cooney D3/313
9,162,630 B2 * 10/2015 Pluta B60R 11/02
D864,092 S * 10/2019 Zhang D12/415
10,442,367 B1 * 10/2019 Gachuz Navarro B60R 11/02
D872,014 S * 1/2020 Zhang D13/108
D873,205 S * 1/2020 MacNeil D12/415
D877,043 S * 3/2020 MacNeil D12/415
D888,045 S * 6/2020 Hu D14/253
D890,740 S * 7/2020 Khubani D14/253
D894,829 S * 9/2020 Zhang D13/108
D911,951 S * 3/2021 Yang D13/108
D913,273 S * 3/2021 Lan D14/253
D920,219 S * 5/2021 Iverson D12/415
2004/0086112 A1 * 5/2004 Hilger B60R 11/0241
379/455

* cited by examiner

Primary Examiner — Janice Hallmark

(74) *Attorney, Agent, or Firm* — ScienBiziP, P.C.

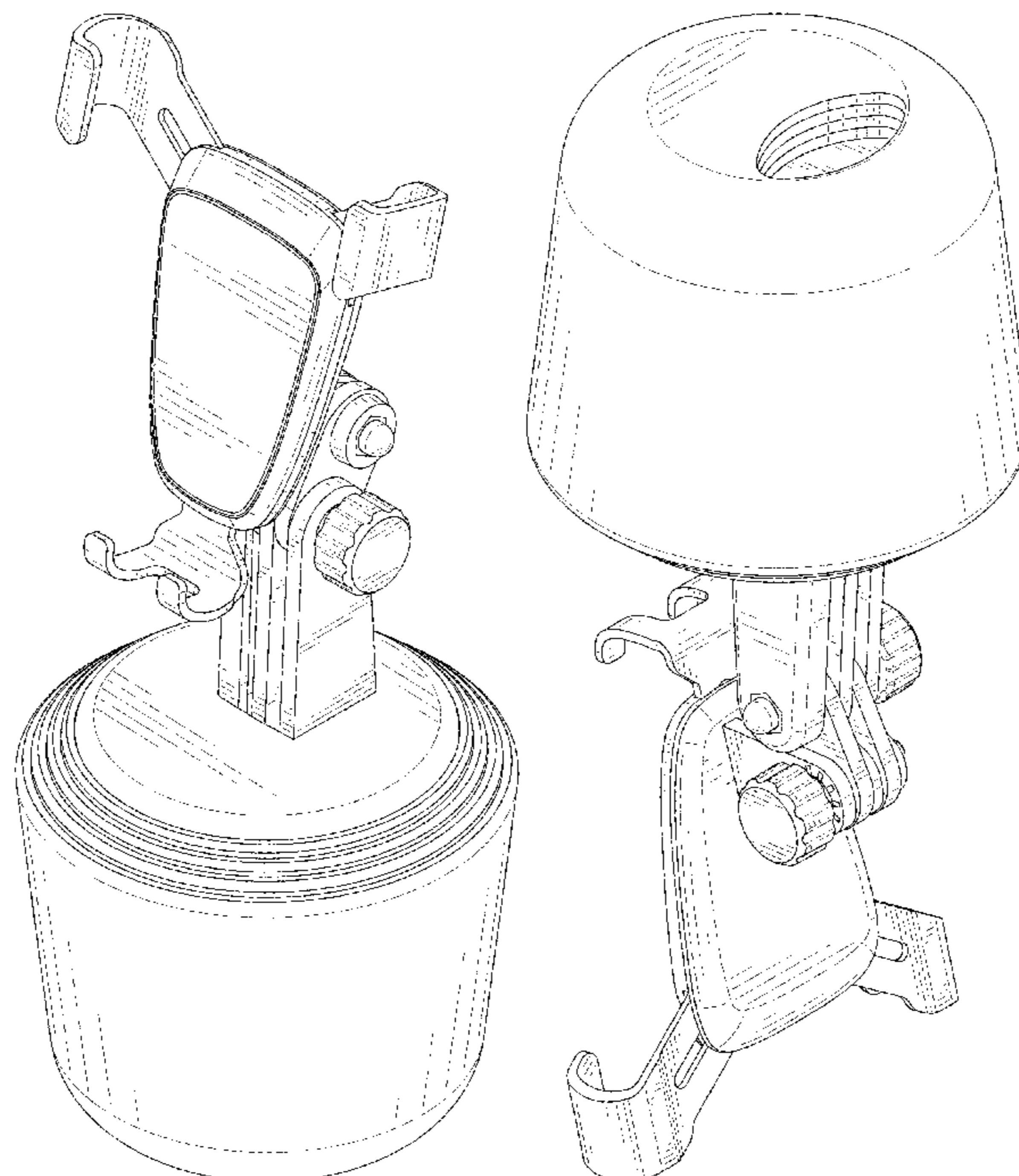
(57) **CLAIM**

The ornamental design for a phone holder, as shown and described.

DESCRIPTION

FIG. 1 is a top, front, right side perspective view of a phone holder, showing my design.
FIG. 2 is a bottom, rear, left side perspective view thereof.
FIG. 3 is a front elevation view thereof.
FIG. 4 is a rear elevation view thereof.
FIG. 5 is a left side elevation view thereof.
FIG. 6 is a right side elevation view thereof.
FIG. 7 is a top plan view thereof; and,
FIG. 8 is a bottom plan view thereof.

1 Claim, 8 Drawing Sheets



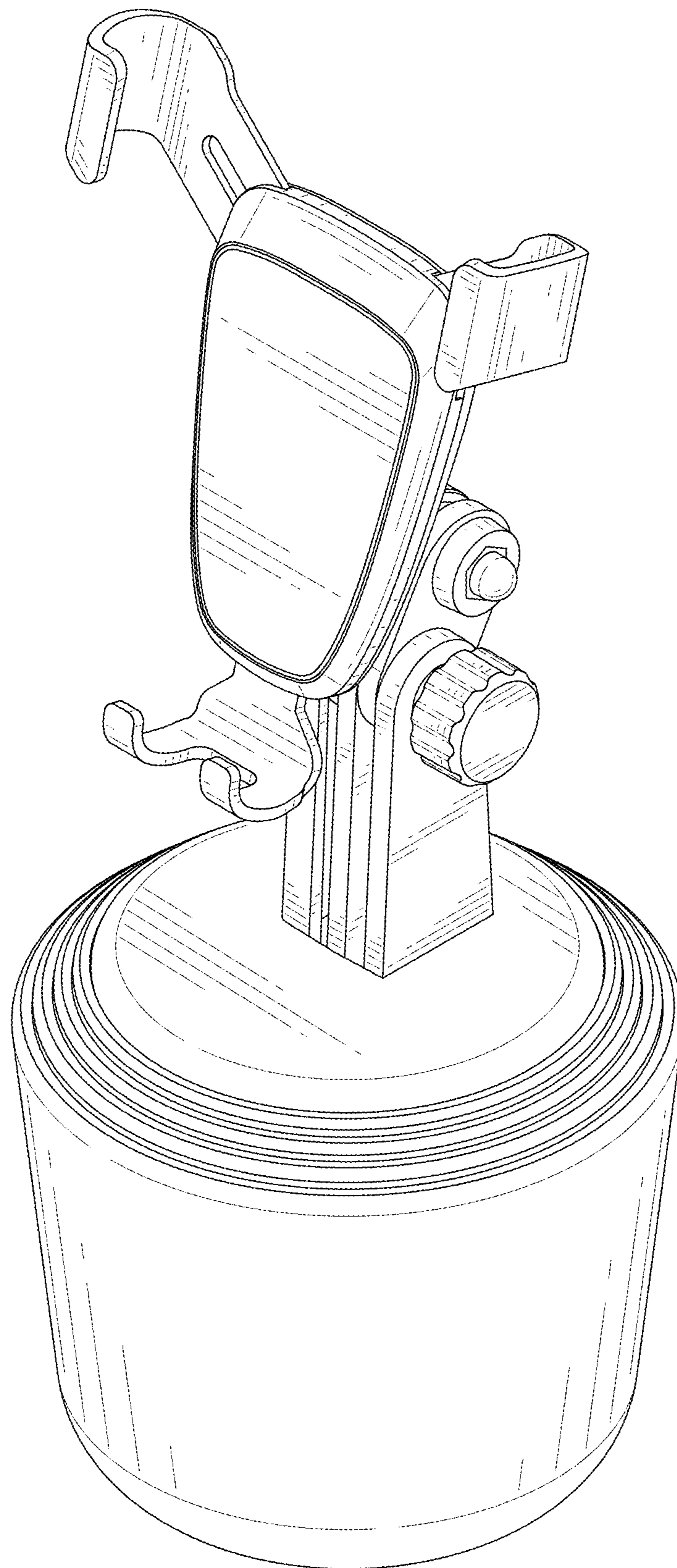


FIG. 1

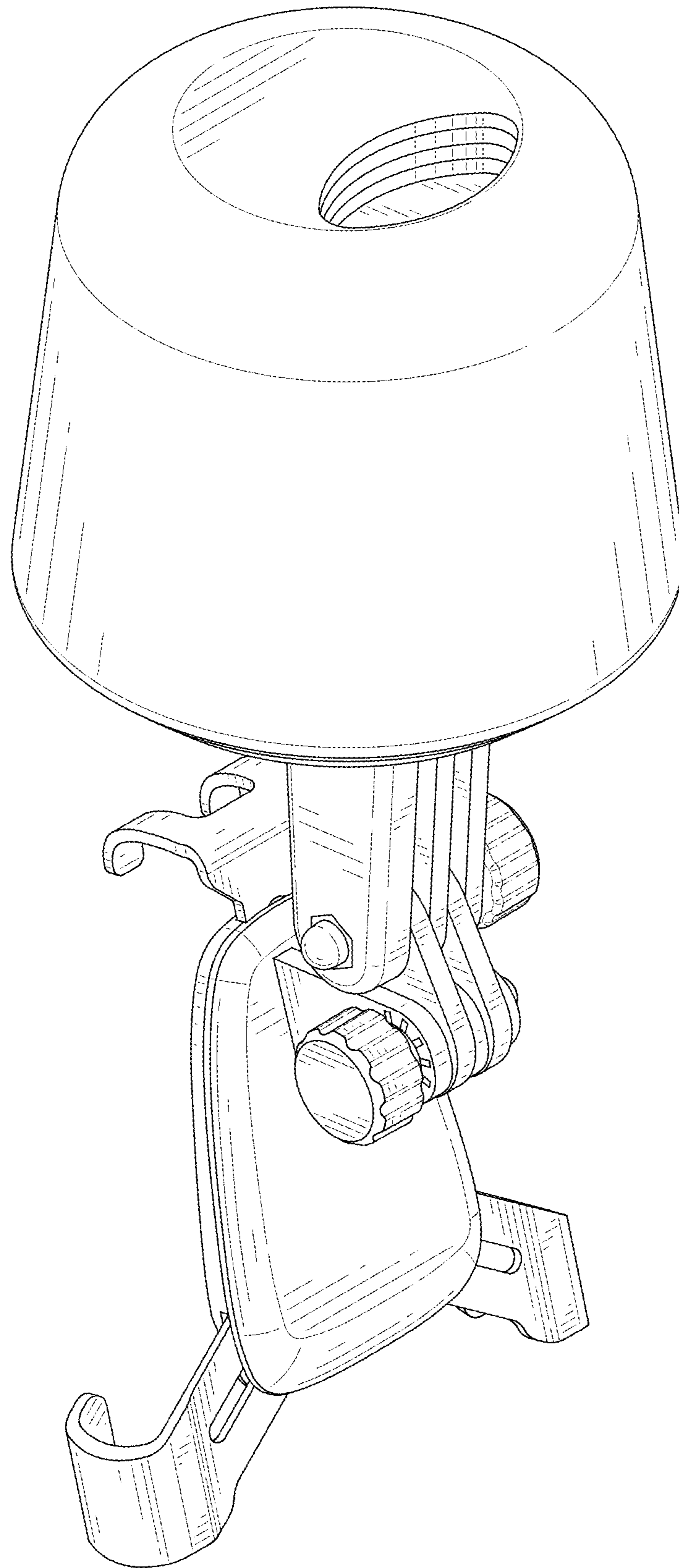


FIG. 2

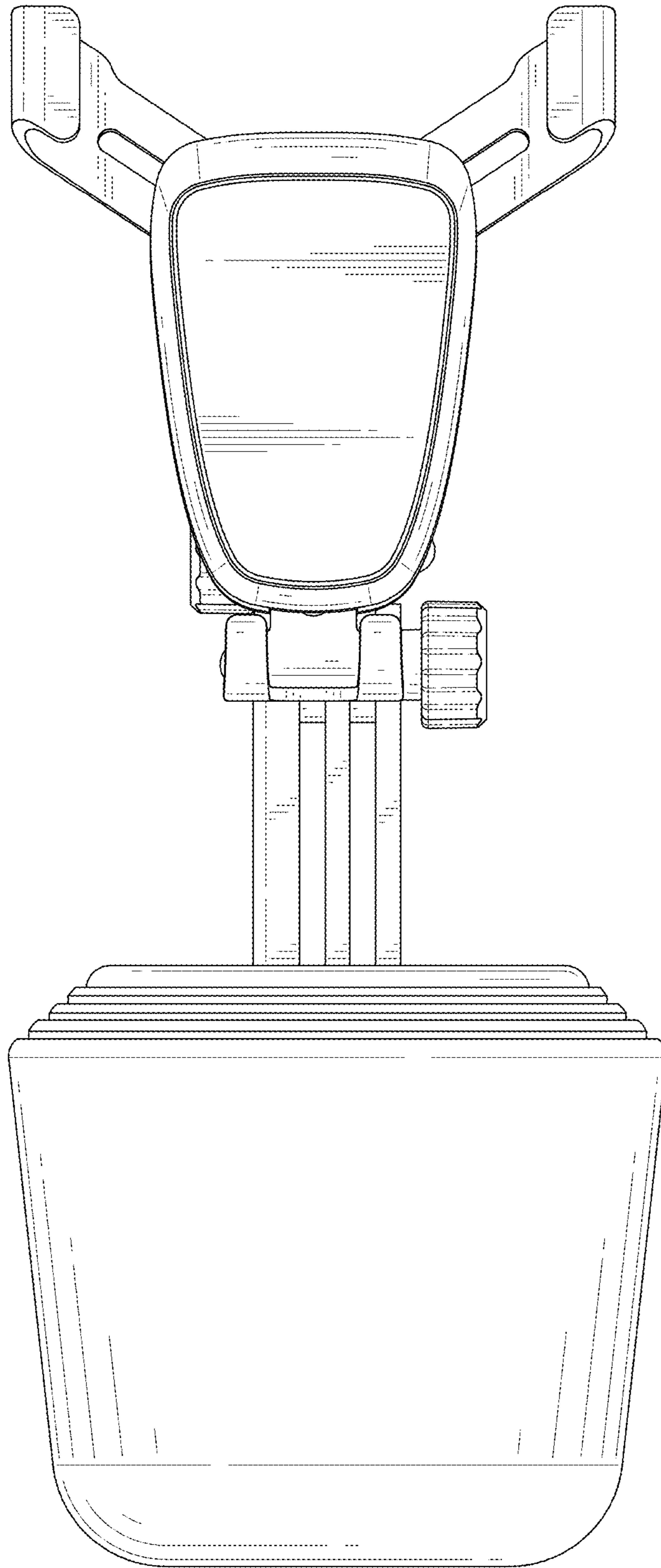


FIG. 3

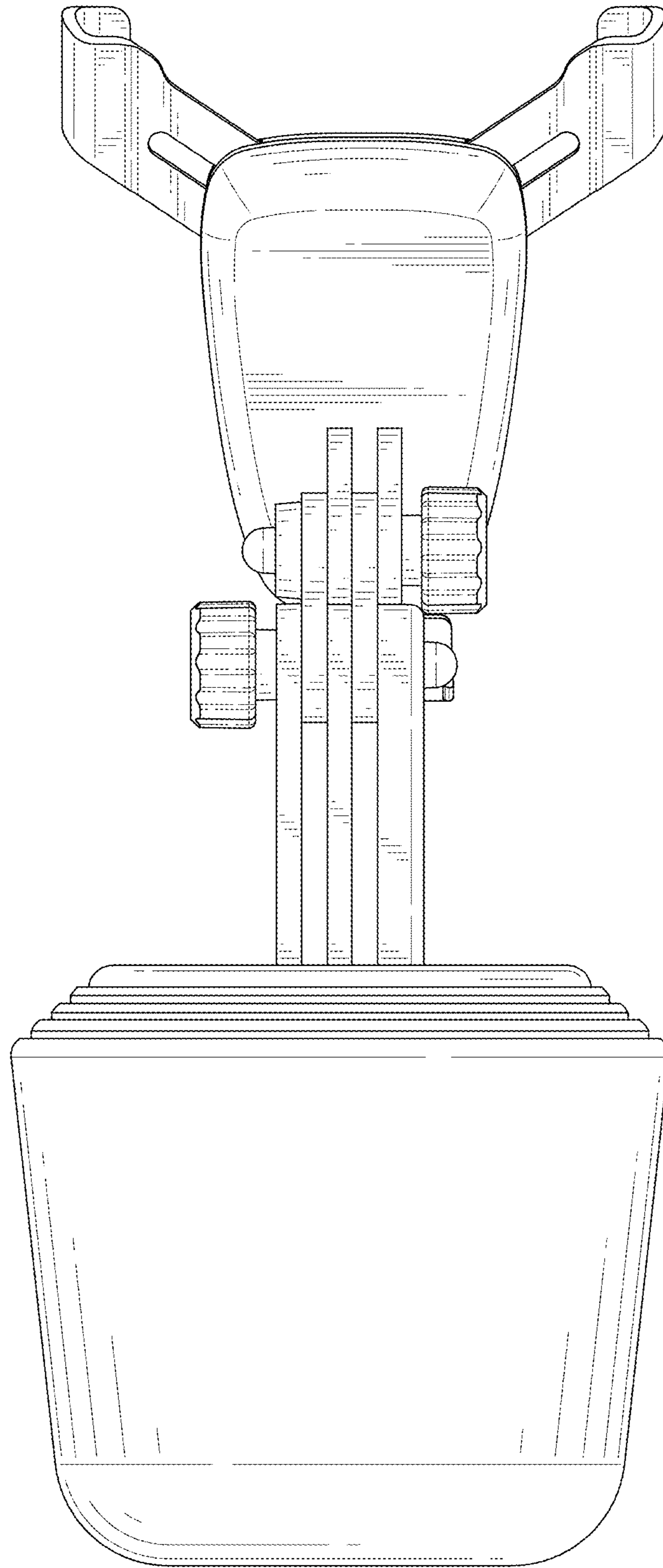


FIG. 4

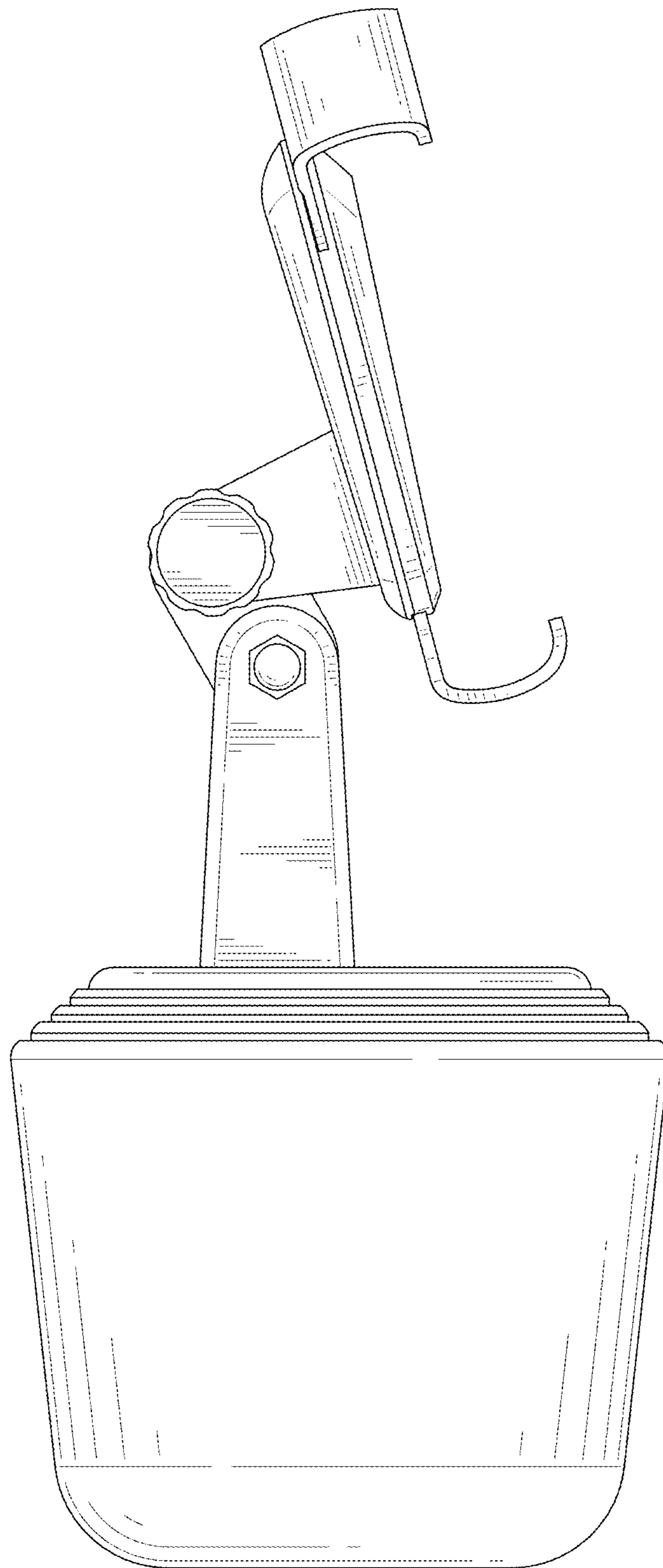


FIG. 5

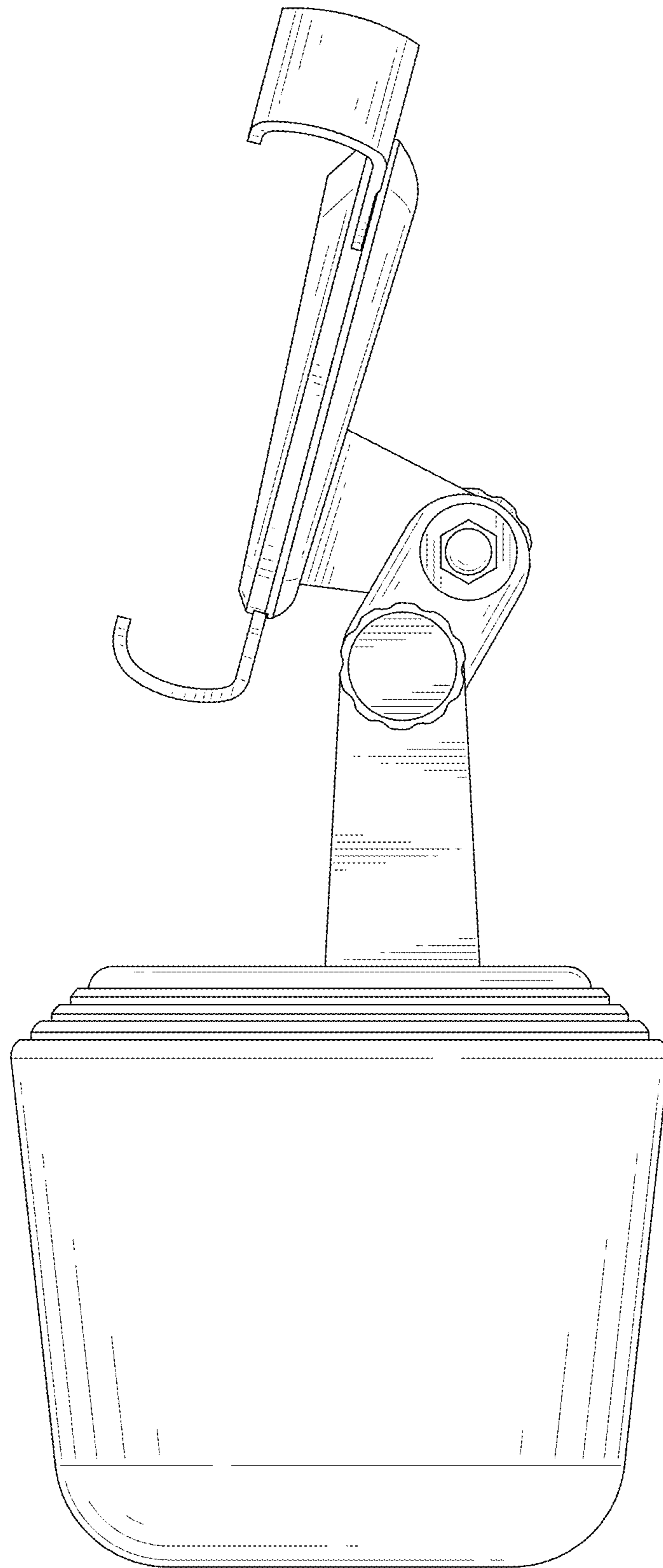


FIG. 6

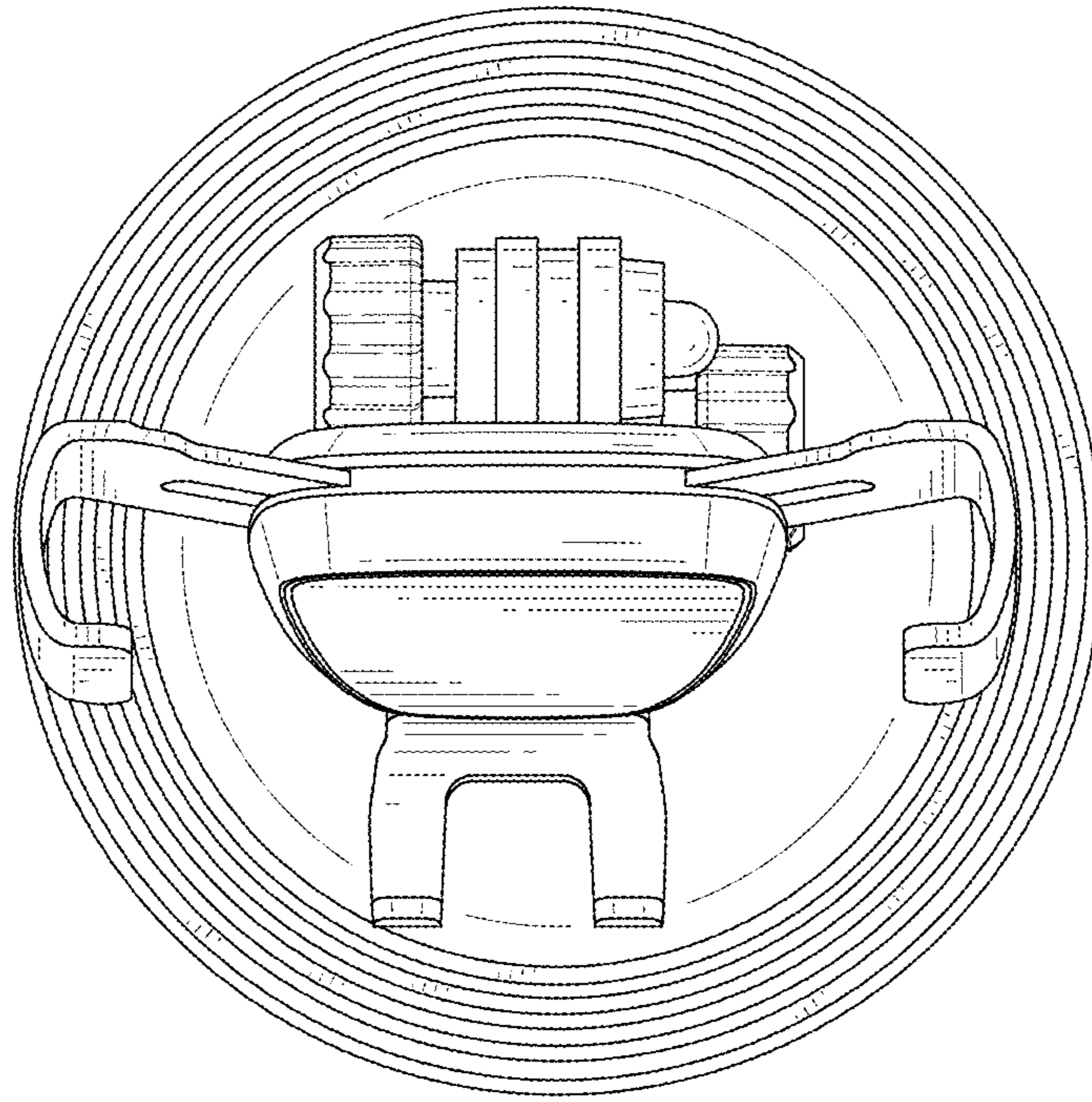


FIG. 7

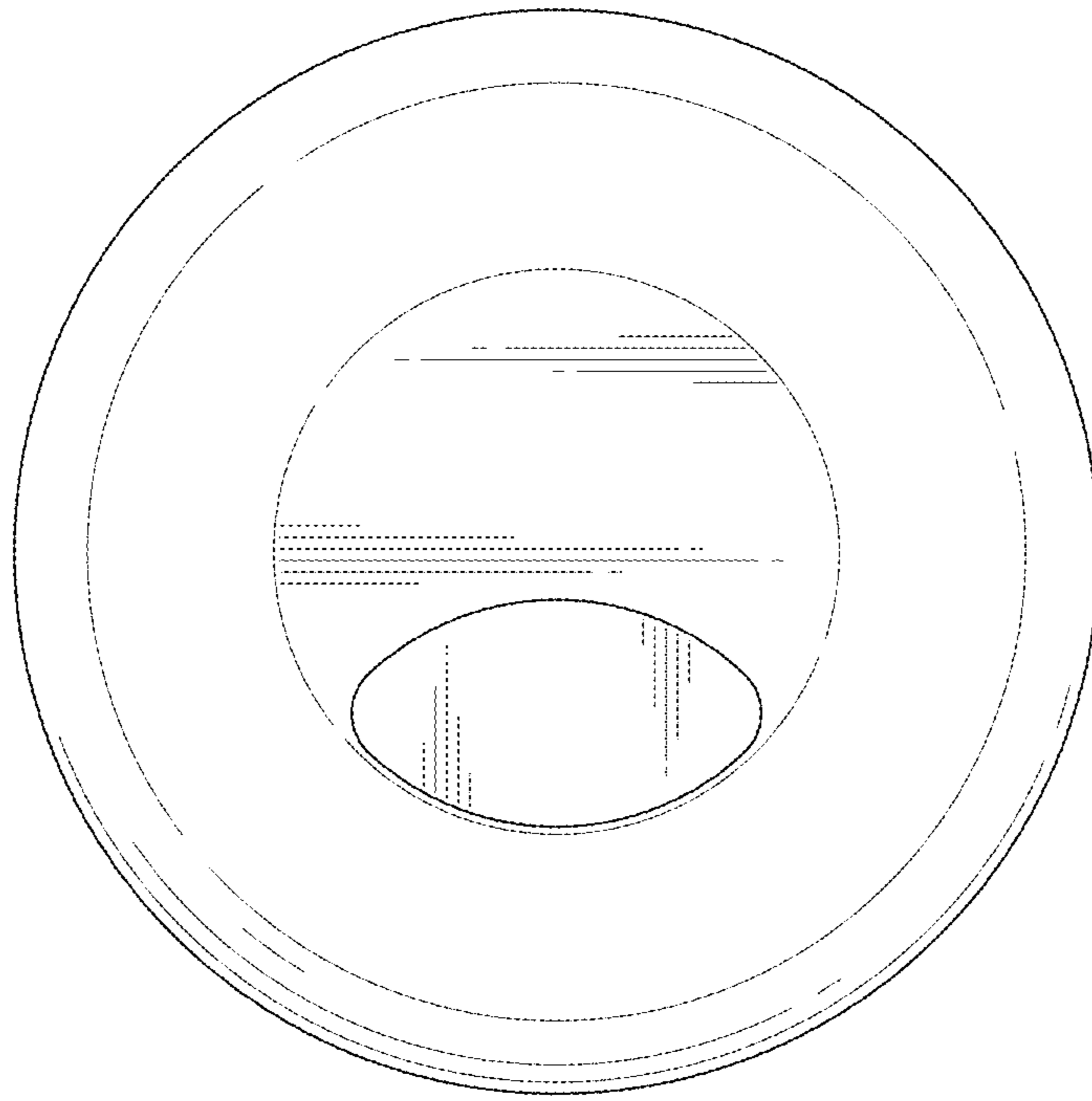


FIG. 8