

US00D929389S

(12) **United States Design Patent** (10) **Patent No.:** **US D929,389 S**
Ryu et al. (45) **Date of Patent:** **** Aug. 31, 2021**

(54) **CASE FOR MOBILE PHONES**
 (71) Applicant: **LG Electronics Inc.**, Seoul (KR)
 (72) Inventors: **Seunghoon Ryu**, Seoul (KR); **Youngho Kim**, Seoul (KR); **Jihoon Shin**, Seoul (KR)
 (73) Assignee: **LG ELECTRONICS INC.**, Seoul (KR)

D868,769 S * 12/2019 Choi D14/250
 D881,175 S * 4/2020 Jung D14/250
 D896,213 S * 9/2020 Lee D14/250
 D900,800 S * 11/2020 Sirju D14/250
 D901,476 S * 11/2020 Ahn D14/250
 D901,477 S * 11/2020 Kim D14/250
 D902,905 S * 11/2020 Jung D14/250
 D905,671 S * 12/2020 Kim D14/250
 D905,673 S * 12/2020 Hyun D14/250
 D905,674 S * 12/2020 Ahn D14/250
 D905,675 S * 12/2020 Lee D14/250

(Continued)

(**) Term: **15 Years**

Primary Examiner — Bao-Yen T Nguyen

(21) Appl. No.: **35/508,430**

(74) *Attorney, Agent, or Firm* — Birch, Stewart, Kolasch & Birch LLP

(22) Filed: **Jul. 29, 2019**

(80) **Hague Agreement Data**

(57) **CLAIM**

Int. Filing Date: **Jul. 29, 2019**
 Int. Reg. No.: **DM/204646**
 Int. Reg. Date: **Jul. 29, 2019**
 Int. Reg. Pub. Date: **Jan. 31, 2020**

The ornamental design for a case for mobile phones, as shown and described.

DESCRIPTION

(30) **Foreign Application Priority Data**

Jan. 31, 2019 (KR) 30-2019-0005158

(51) **LOC (13) Cl.** **14-03**

(52) **U.S. Cl.**
USPC **D14/250**

(58) **Field of Classification Search**
 USPC D14/143, 189, 203.2–203.7, 238.1, 240, D14/248, 250–253, 440, 447, 496; D3/201, 218, 247–251, 269, 273, 301, D3/303
 CPC A45F 2005/026; A45F 2200/0525; A45F 2200/0516; H04B 1/3888; H04M 1/0283; H04M 1/0202
 See application file for complete search history.

1. Case for mobile phones
- 1.1 : Perspective
- 1.2 : Front
- 1.3 : Back
- 1.4 : Left
- 1.5 : Right
- 1.6 : Top
- 1.7 : Bottom
- 1.8 : Back perspective view
- 1.9 : Perspective view in a state of use
- 1.10 : Perspective view in a state of use

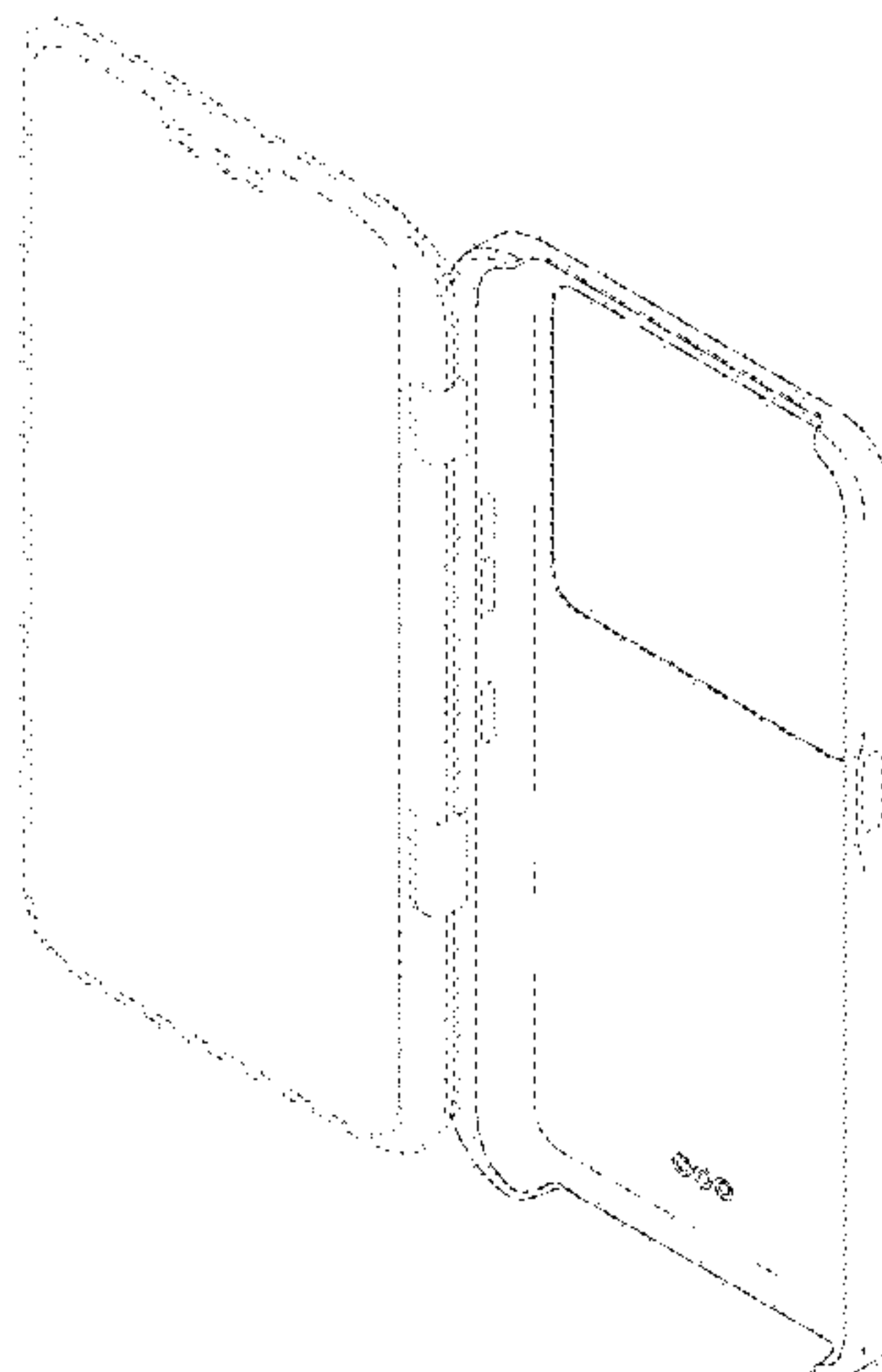
The broken lines depict portions of case for mobile phones that form no part of the claimed design; reproduction 1.9 is a perspective view showing the use state in which the claimed design is in a closed state; reproduction 1.10 is a perspective view showing the use state in which the claimed design has been attached to the mobile phone; this is a design for a case for mobile phones with a display on the left.

(56) **References Cited**

U.S. PATENT DOCUMENTS

D843,365 S * 3/2019 Kim D14/250
 D859,388 S * 9/2019 Chung D14/250

1 Claim, 10 Drawing Sheets



(56)

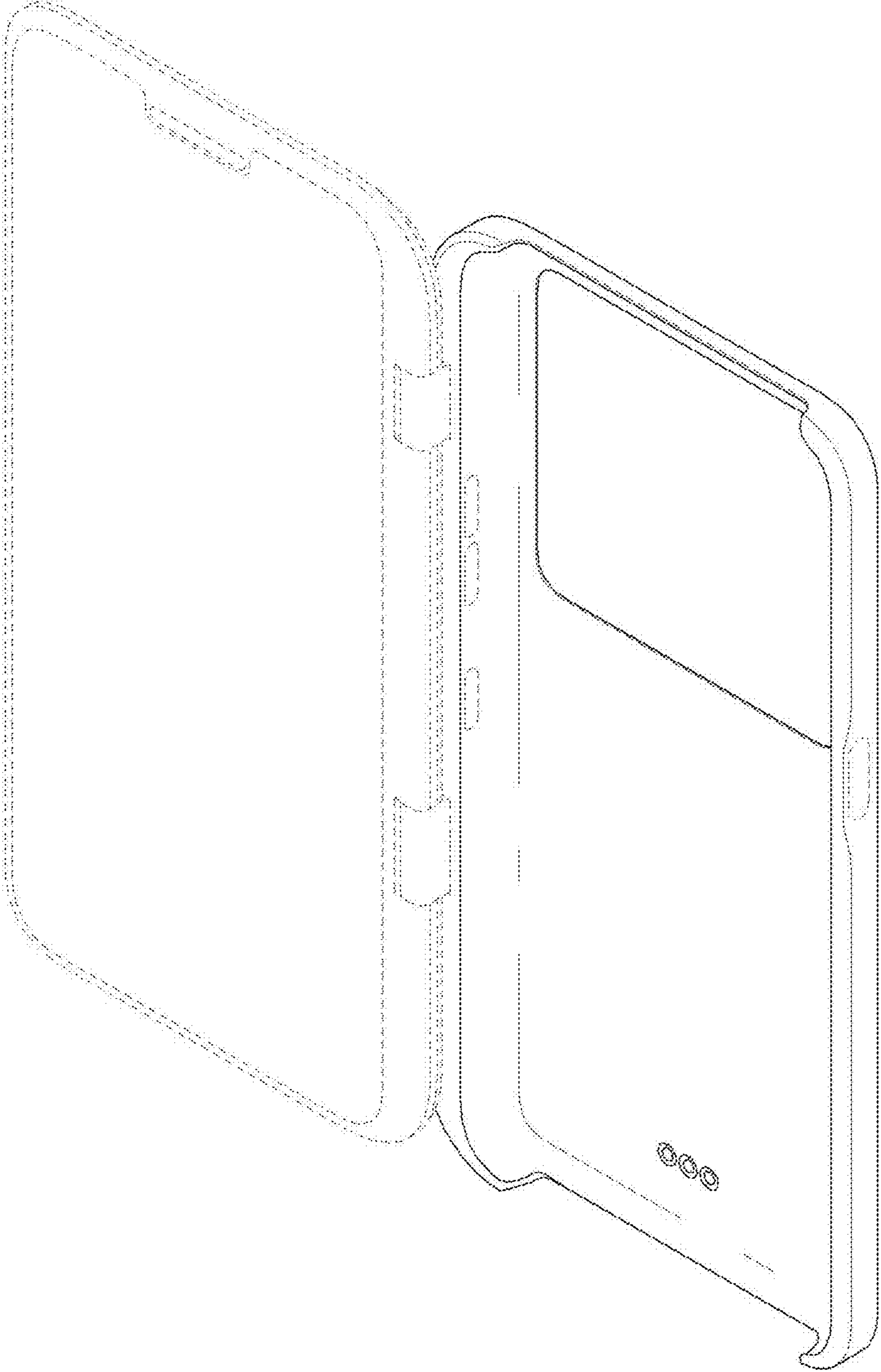
References Cited

U.S. PATENT DOCUMENTS

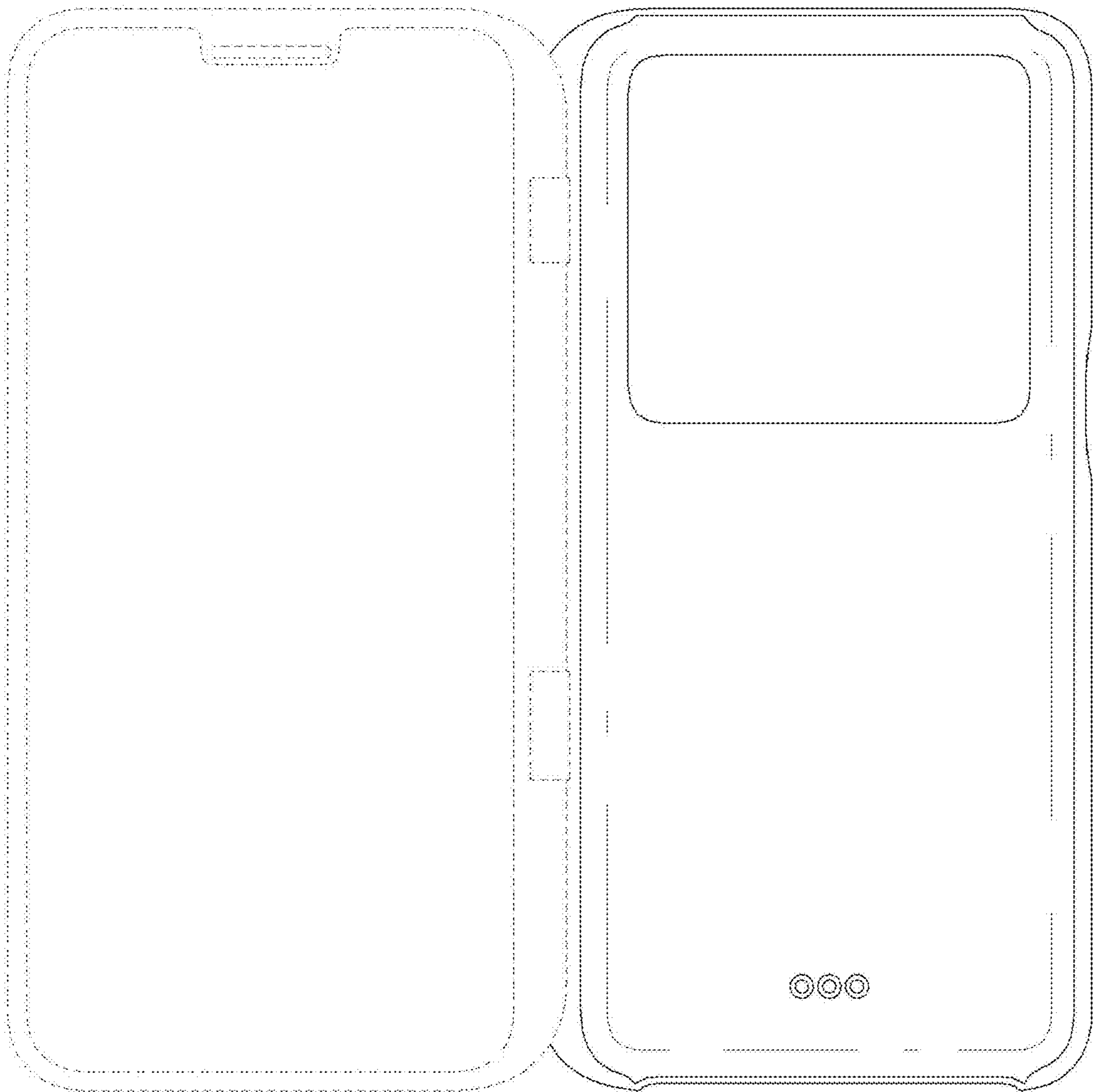
D905,682 S	*	12/2020	Yoon	D14/250
D906,307 S	*	12/2020	Kim	D14/250
D906,314 S	*	12/2020	Kim	D14/250
D906,316 S	*	12/2020	Lee	D14/250
D906,321 S	*	12/2020	Feng	D14/250

* cited by examiner

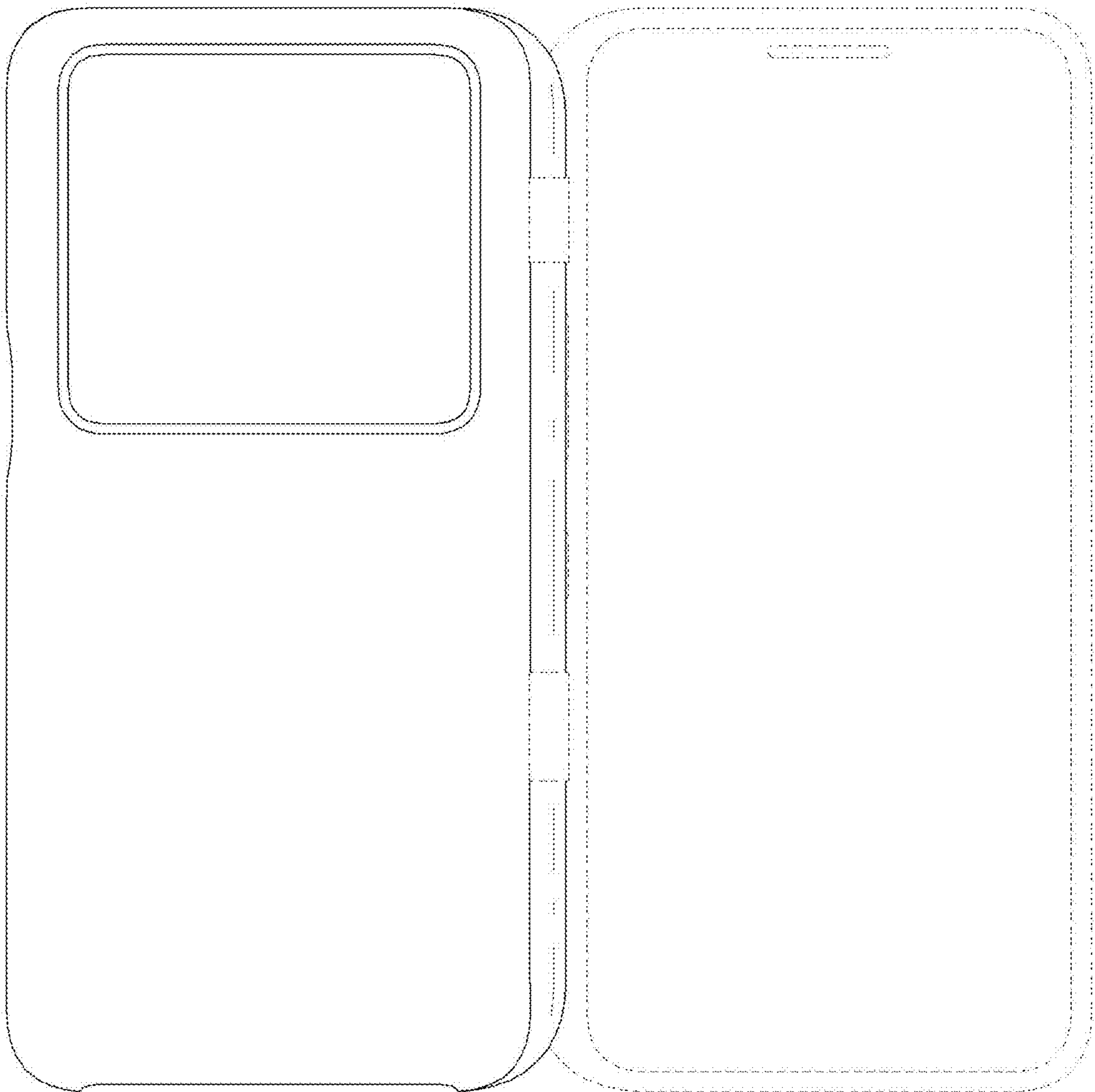
1.1



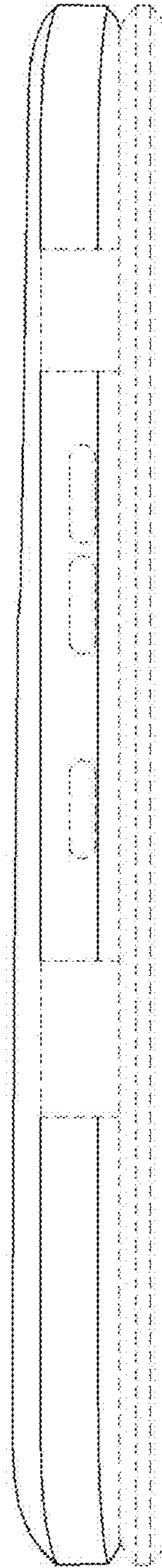
1.2



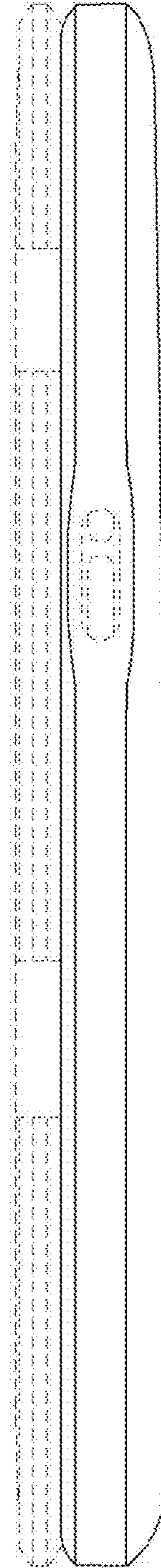
1.3



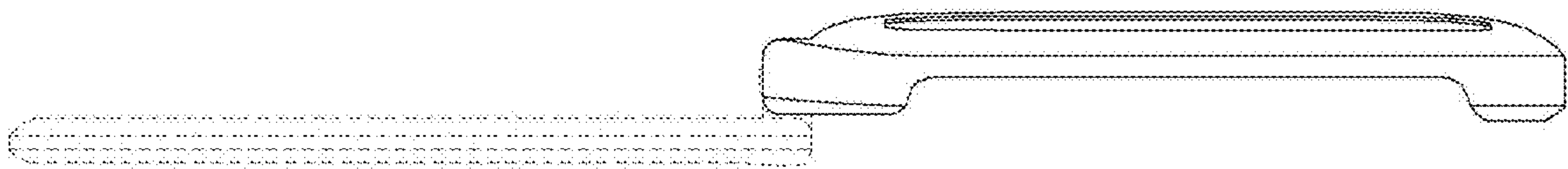
1.4



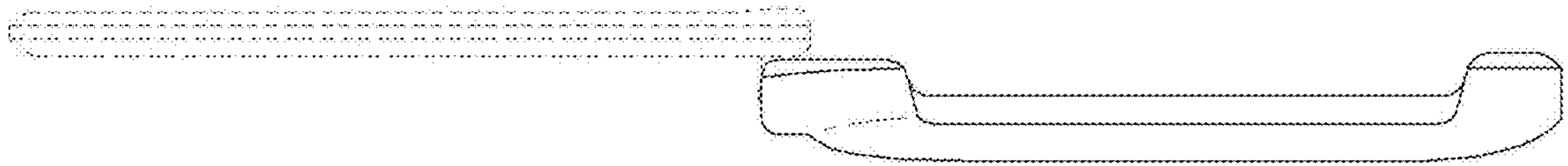
1.5



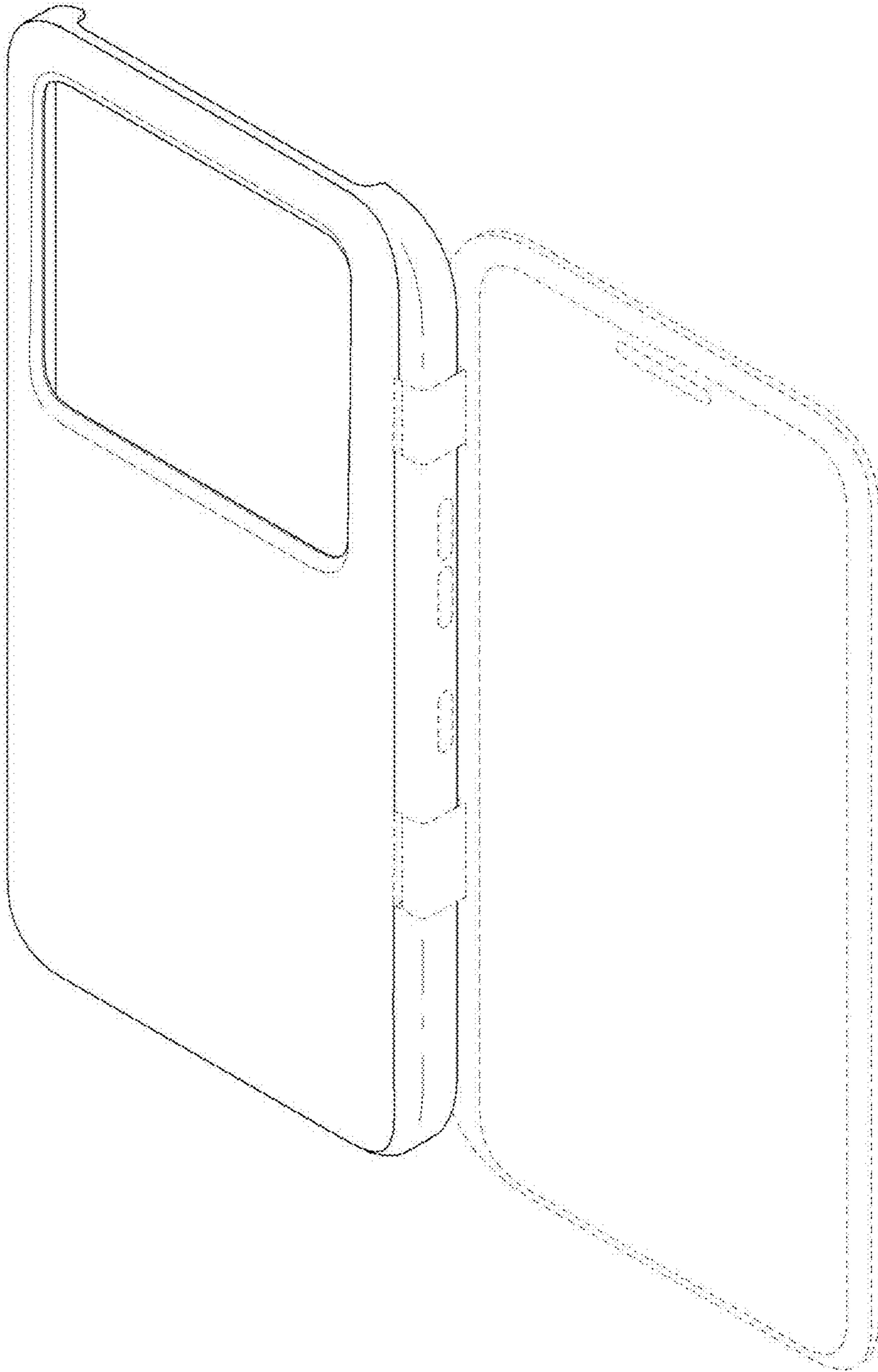
1.6



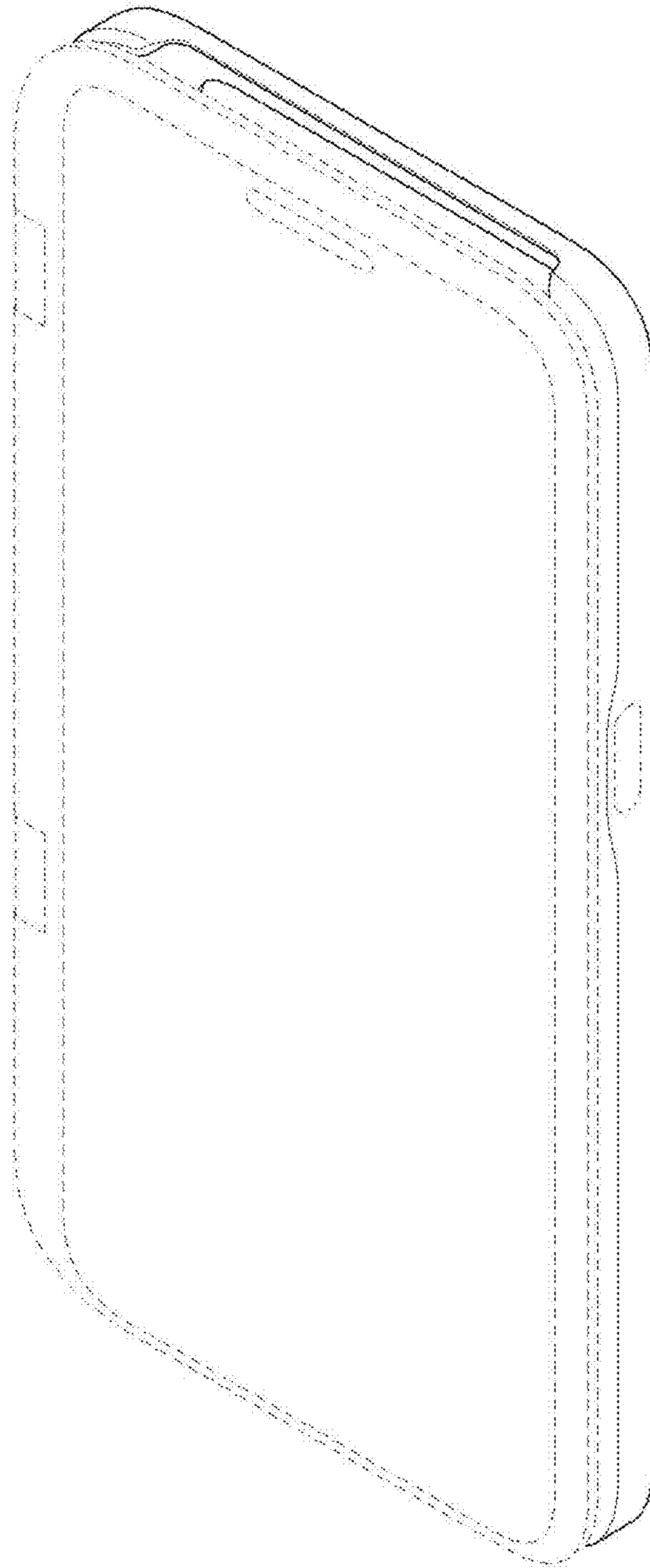
1.7



1.8



1.9



1.10

