



US00D929388S

(12) **United States Design Patent**
Guo

(10) **Patent No.:** **US D929,388 S**

(45) **Date of Patent:** **** Aug. 31, 2021**

(54) **PHONE CASE**

(71) Applicant: **Weihao Guo**, Shenzhen (CN)

(72) Inventor: **Weihao Guo**, Shenzhen (CN)

(**) Term: **15 Years**

(21) Appl. No.: **29/760,532**

(22) Filed: **Dec. 2, 2020**

(51) **LOC (13) Cl.** **14-03**

(52) **U.S. Cl.**
USPC **D14/250**

(58) **Field of Classification Search**
USPC D14/203.3–203.7, 439, 251–253, 447,
D14/217, 240, 238.1, 250, 440, 248;
D13/107–108, 103, 119; D3/201, 218,
D3/247, 249, 269, 273, 301, 303
CPC . H04B 1/3888; A45C 13/02; A45C 2011/002;
A45C 1/06; A45C 11/00; A45F 2005/026;
A45F 2200/0525; A45F 2200/0516;
H04M 1/0283; H04M 1/0202
See application file for complete search history.

(56) **References Cited**

U.S. PATENT DOCUMENTS

D582,405 S	*	12/2008	Andre	D3/299
D641,348 S	*	7/2011	Kim	D14/250
D657,354 S	*	4/2012	Kim	D14/250
D685,801 S	*	7/2013	Canizares	D14/440
D693,350 S	*	11/2013	Mish	D14/440
D702,673 S	*	4/2014	Murchison	D14/250
D706,753 S	*	6/2014	Kim	D14/250
D710,838 S	*	8/2014	Song	D14/250
D712,393 S	*	9/2014	Kim	D14/250
D729,522 S	*	5/2015	Kim	D3/303
D738,620 S	*	9/2015	Schmole	D3/249
9,259,068 B2	*	2/2016	Yu	A45C 11/00
D760,708 S	*	7/2016	Hirst	D14/250
D767,888 S	*	10/2016	Kim	D3/249

D769,855 S	*	10/2016	Deng	D14/250
D777,421 S	*	1/2017	Grote	D3/218
D793,082 S	*	8/2017	Zhang	D3/249
D793,725 S	*	8/2017	Zhang	D3/249
D794,627 S	*	8/2017	Roberts	D14/250
D794,952 S	*	8/2017	Feng	D3/247
D803,558 S	*	11/2017	Liu	D3/247
D804,815 S	*	12/2017	Chen	D3/247
D812,600 S	*	3/2018	Altaras	D14/250
10,027,363 B2	*	7/2018	Hsu	H04B 1/3888
D843,992 S	*	3/2019	Lu	D14/250
D844,596 S	*	4/2019	Liu	D14/250
D858,096 S	*	9/2019	Liu	D3/249
D869,843 S	*	12/2019	Zhou	D3/249
D880,855 S	*	4/2020	Lu	D3/249
D891,416 S	*	7/2020	Yu	D14/250
D895,598 S	*	9/2020	Kim	D14/250
D895,599 S	*	9/2020	Zhao	D14/250
D898,725 S		10/2020	Haddock		
D898,728 S		10/2020	Lin		
D899,411 S		10/2020	Liu		

(Continued)

Primary Examiner — Carla J Wright

(74) *Attorney, Agent, or Firm* — Runit Ranjit Kanakia

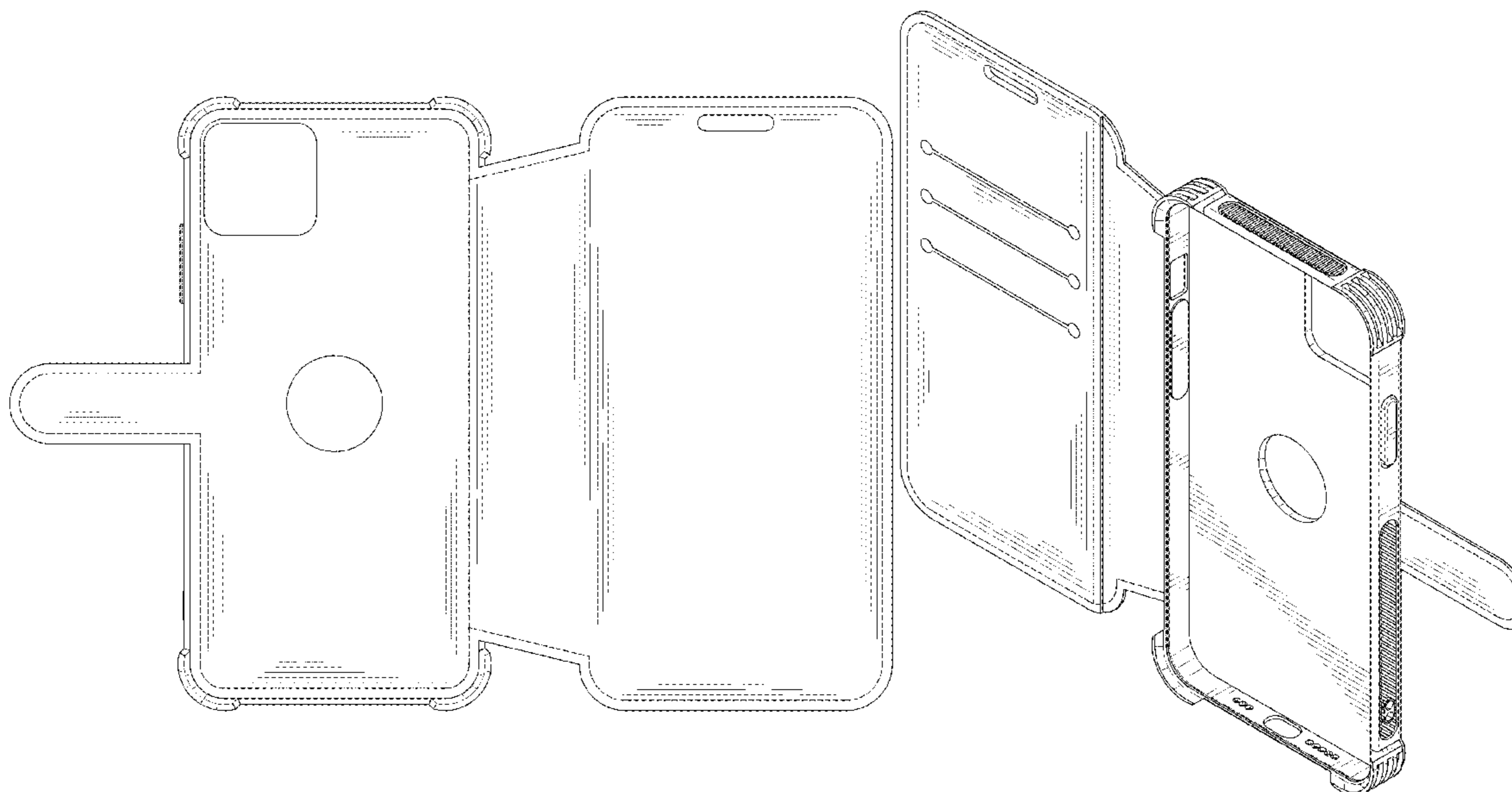
(57) **CLAIM**

The ornamental design for a phone case, as shown and described.

DESCRIPTION

FIG. 1 is a front elevational view of a phone case showing my new design;
FIG. 2 is a rear elevational view thereof;
FIG. 3 is a left side view thereof;
FIG. 4 is a right side view thereof;
FIG. 5 is a bottom plan view thereof;
FIG. 6 is a bottom plan view thereof; and,
FIG. 7 is perspective view thereof.
The broken lines in the drawing figures depict stitching which forms no part of the claimed design.

1 Claim, 7 Drawing Sheets



(56)

References Cited

U.S. PATENT DOCUMENTS

D899,417 S	10/2020	Da	
D902,914 S	10/2020	Huang	
D900,801 S	11/2020	Zhang	
D902,192 S	11/2020	Wright et al.	
D903,646 S	12/2020	Huang	
D903,647 S	12/2020	Lin	
D903,650 S	12/2020	Huang	
D908,118 S *	1/2021	Lu	D14/250
2015/0034291 A1 *	2/2015	Wong	H04B 1/036 165/185
2015/0230570 A1 *	8/2015	Kim	A45C 1/08 150/139

* cited by examiner

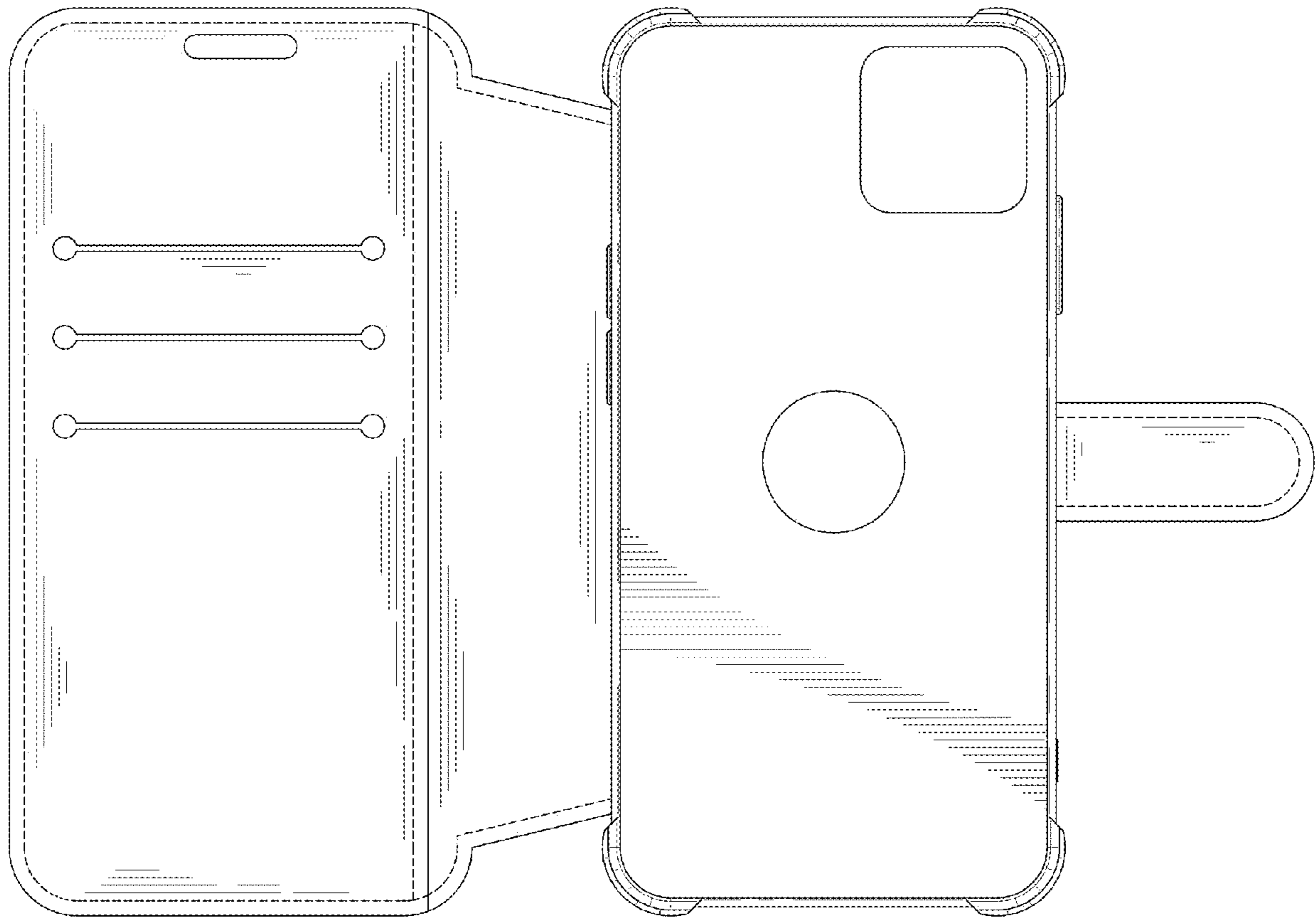


Fig. 1

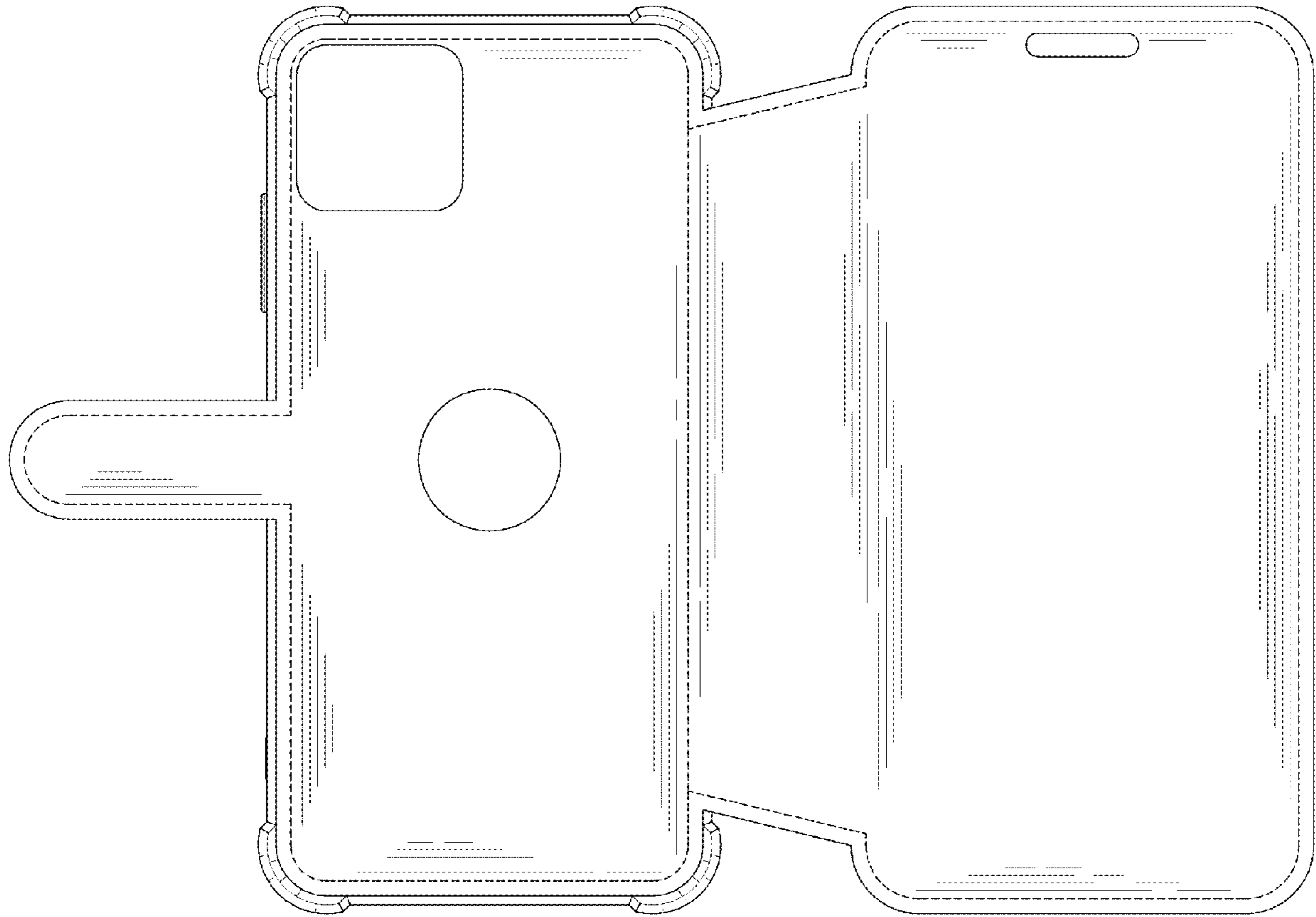


Fig. 2

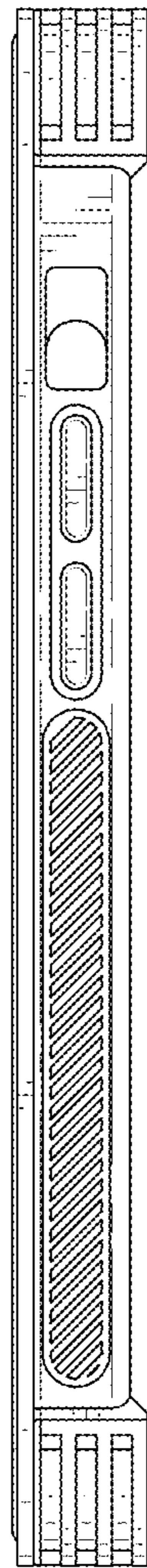


Fig. 3

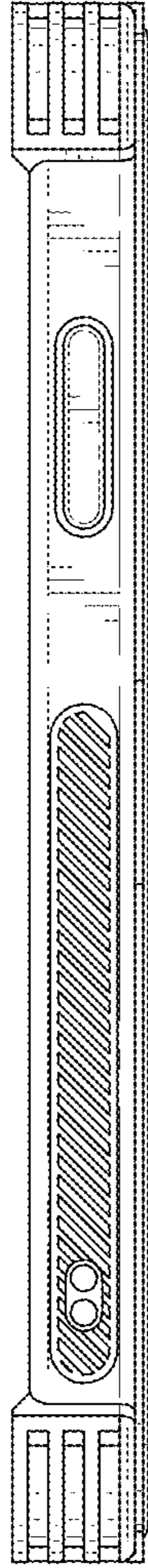


Fig. 4

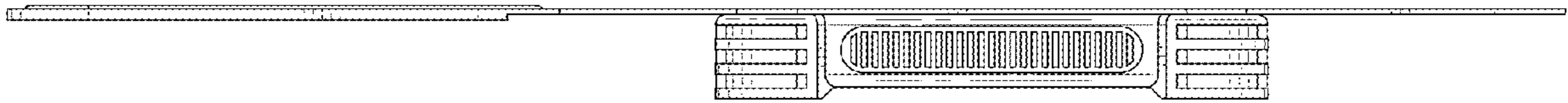


Fig.5

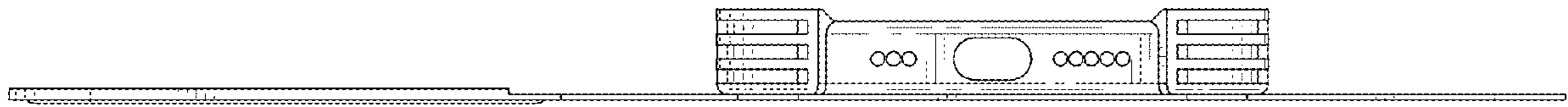


Fig. 6

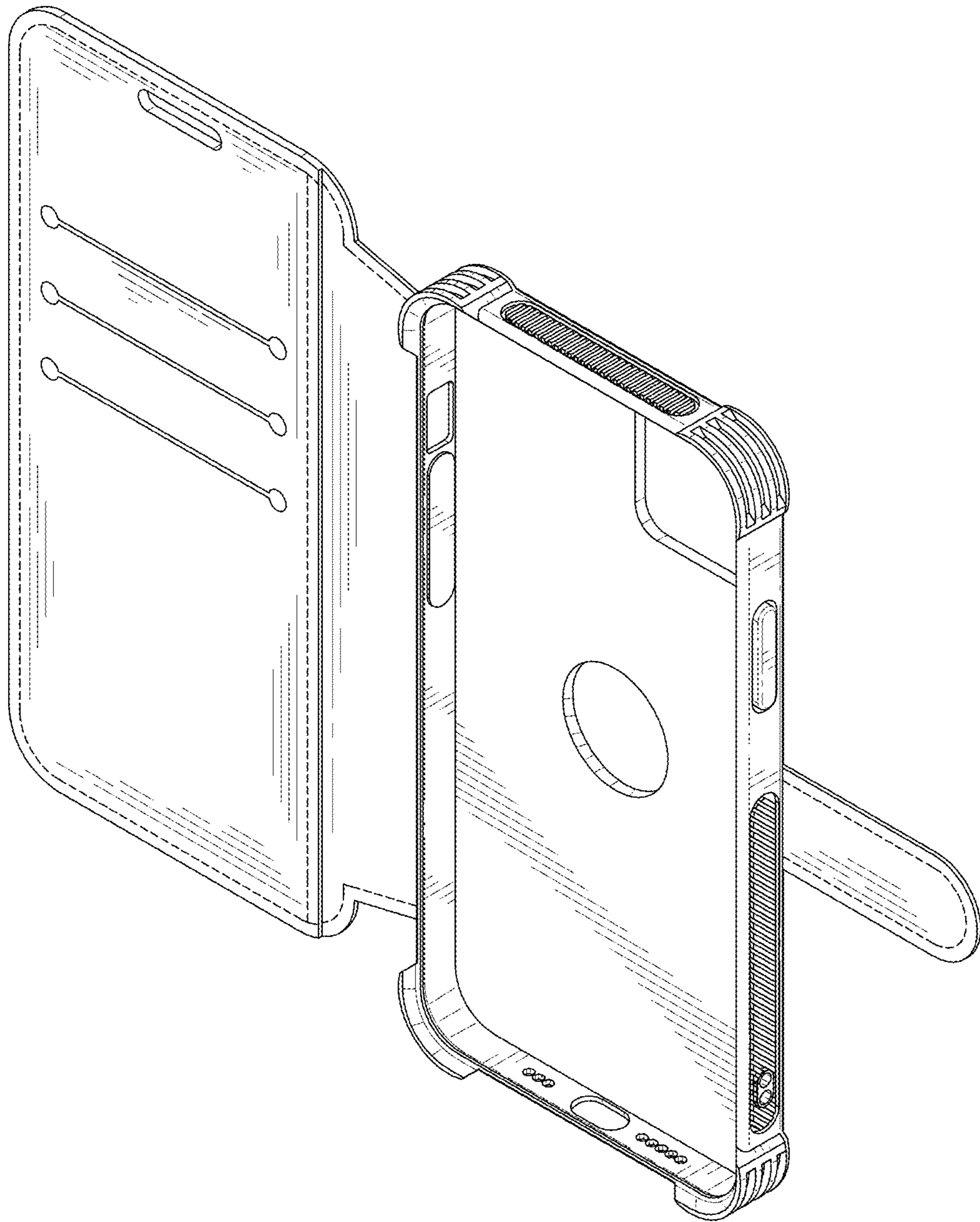


Fig. 7