



US00D929385S

(12) **United States Design Patent**
Cho et al.

(10) **Patent No.:** **US D929,385 S**

(45) **Date of Patent:** **** Aug. 31, 2021**

(54) **CASE FOR ELECTRONIC COMMUNICATIONS DEVICE**

(71) Applicant: **Samsung Electronics Co., Ltd.**,
Suwon-si (KR)

(72) Inventors: **Chang Sin Cho**, Suwon-si (KR); **Min Ah Koh**, Suwon-si (KR); **Dong Kyun Kim**, Suwon-si (KR); **Seon Keun Park**, Suwon-si (KR); **Hyoungh Shin Park**, Suwon-si (KR)

(73) Assignee: **Samsung Electronics Co., Ltd.**,
Suwon-si (KR)

(**) Term: **15 Years**

(21) Appl. No.: **29/691,485**

(22) Filed: **May 16, 2019**

(30) **Foreign Application Priority Data**

Dec. 21, 2018 (KR) 30-2018-0060847

(51) **LOC (13) Cl.** **14-03**

(52) **U.S. Cl.**
USPC **D14/250**

(58) **Field of Classification Search**
USPC D14/203.3–203.7, 439, 251–253, 447,
D14/217, 240, 238.1, 250, 440, 248;
D13/107–108, 103, 119; D3/201, 218,
D3/247, 249, 269, 273, 301, 303
CPC . H04B 1/3888; A45C 13/02; A45C 2011/002;
A45C 1/06; A45C 11/00; A45F 2005/026;
A45F 2200/0525; A45F 2200/0516;
H04M 1/0283; H04M 1/0202
See application file for complete search history.

(56) **References Cited**

U.S. PATENT DOCUMENTS

D641,348 S * 7/2011 Kim D14/250
D652,829 S * 1/2012 Kim D14/250

D657,354 S * 4/2012 Kim D14/250
D685,801 S * 7/2013 Canizares D14/440
D685,802 S * 7/2013 Canizares D14/440
D694,741 S * 12/2013 Kim D14/250
D698,773 S * 2/2014 Wildner D14/250
D702,673 S * 4/2014 Murchison D14/250

(Continued)

Primary Examiner — Carla J Wright
(74) *Attorney, Agent, or Firm* — NSIP Law

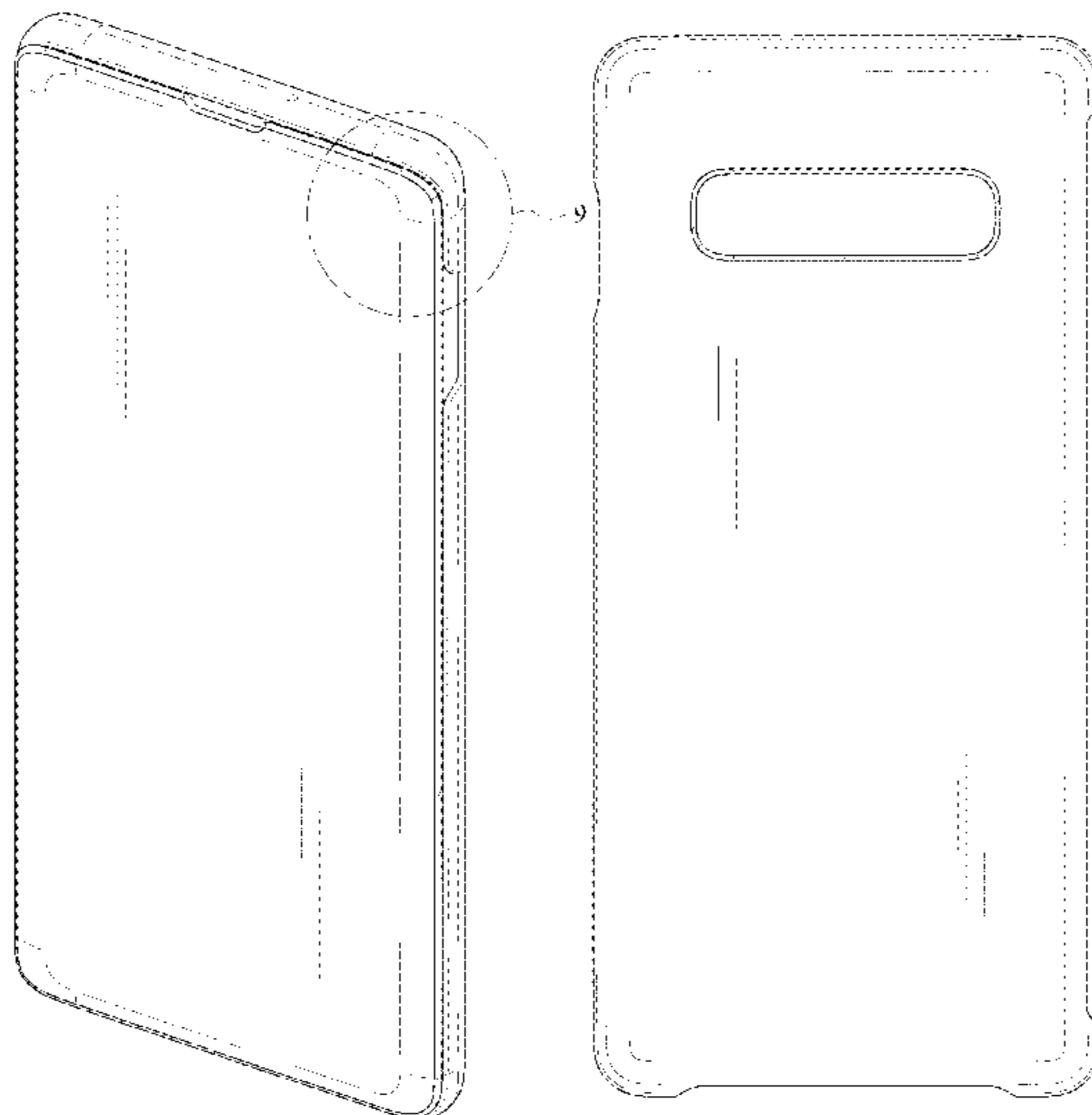
(57) **CLAIM**

We claim the ornamental design for a case for electronic communications device, as shown and described.

DESCRIPTION

FIG. 1 is a front, right-side, and top perspective view of a case for electronic communications device showing our new design;
FIG. 2 is a front view thereof;
FIG. 3 is a rear view thereof;
FIG. 4 is a left-side view thereof;
FIG. 5 is a right-side view thereof;
FIG. 6 is a top view thereof;
FIG. 7 is a bottom view thereof;
FIG. 8 is a rear, left-side, and bottom perspective view thereof;
FIG. 9 is an enlarged view of the encircled portion in FIG. 1;
FIG. 10 is an enlarged view of the encircled portion in FIG. 5; and,
FIG. 11 is an enlarged view of the encircled portion in FIG. 8.
The evenly-dashed broken lines in the figures depict portions of the case for electronic communications device which form no part of the claimed design.
The dot-dash broken lines encircling portions of the claimed design that are illustrated in enlargements form no part of the claimed design.

1 Claim, 11 Drawing Sheets



(56)

References Cited

U.S. PATENT DOCUMENTS

D712,393	S	*	9/2014	Kim	D14/250
D714,053	S	*	9/2014	Yoo	D3/269
D714,550	S	*	10/2014	Yoo	D3/269
D744,491	S	*	12/2015	Lee	D14/440
D755,172	S	*	5/2016	Lee	D14/250
D756,342	S	*	5/2016	Lee	D14/250
D765,639	S	*	9/2016	Lay	D14/250
D777,159	S	*	1/2017	Lee	D14/250
D800,732	S	*	10/2017	Dang	D14/440
D805,064	S	*	12/2017	Lee	D14/250
D809,497	S	*	2/2018	Kim	D14/250
D828,842	S	*	9/2018	Mecchella	D14/440
D859,389	S	*	9/2019	Kim	D14/250
D896,210	S	*	9/2020	Son	D14/250
D896,211	S	*	9/2020	Cho	D14/250
2012/0085679	A1	*	4/2012	Kim	A45C 3/001
						206/736
2018/0191892	A1	*	7/2018	Kim	H04M 1/185

* cited by examiner

FIG. 1

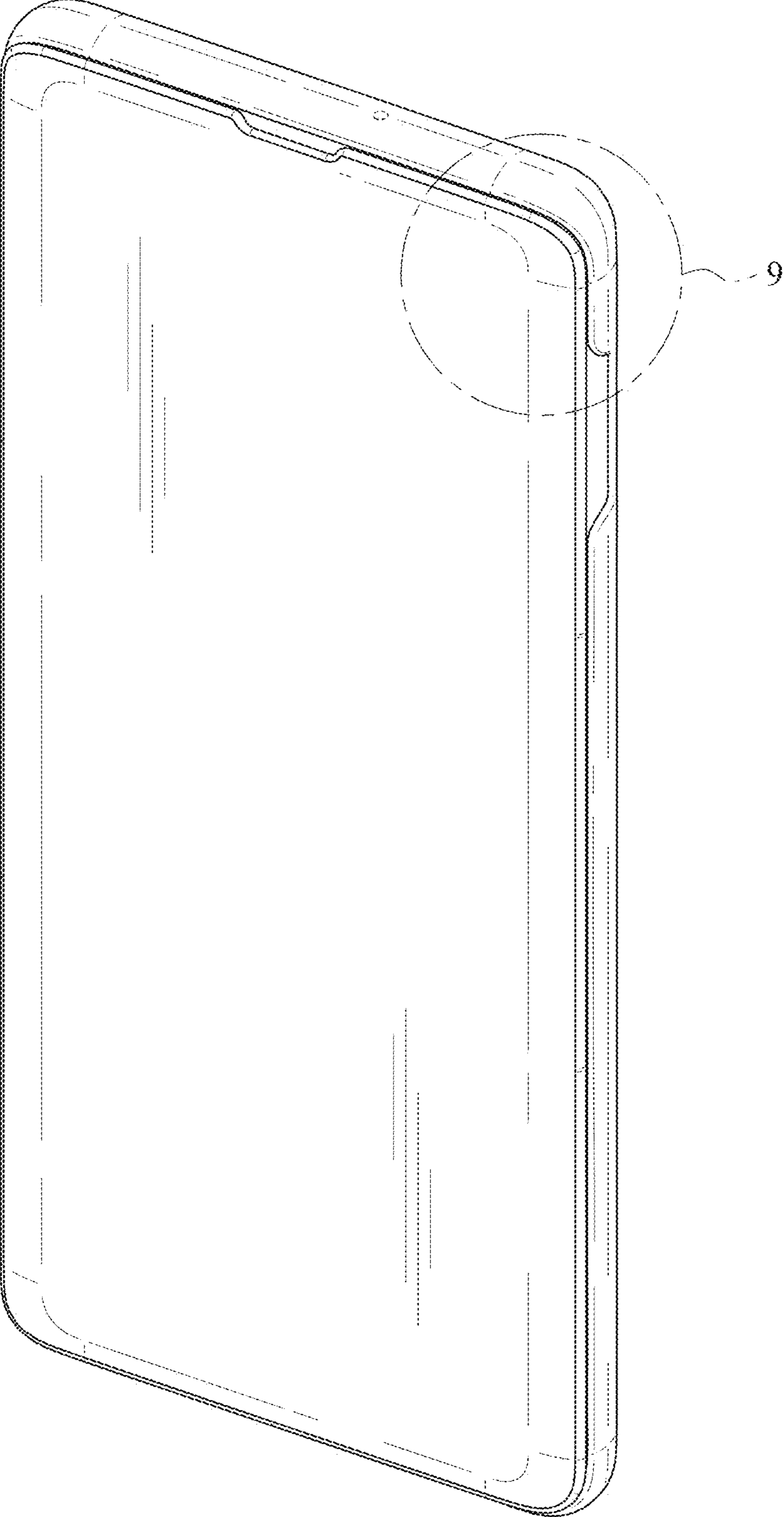


FIG. 2

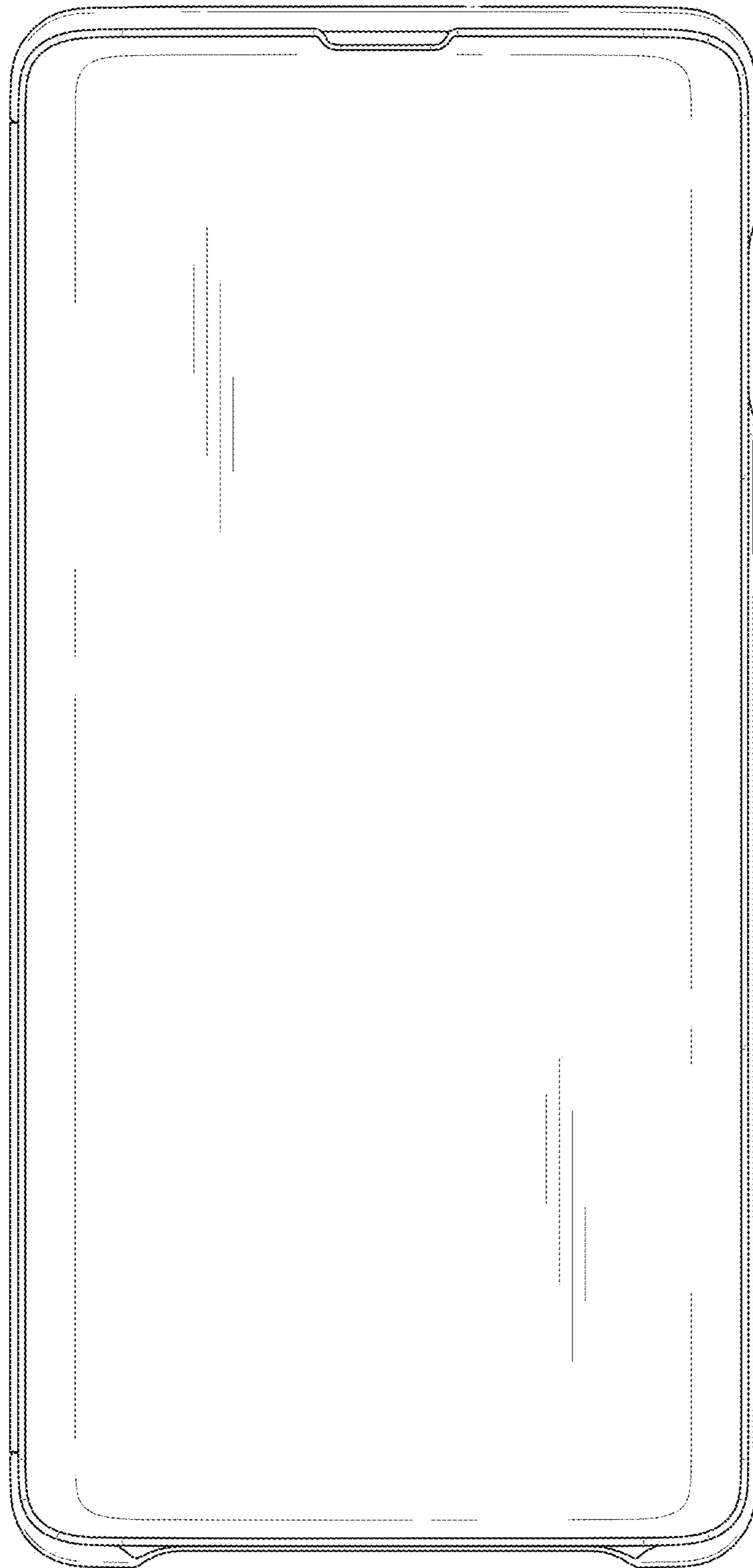


FIG. 3

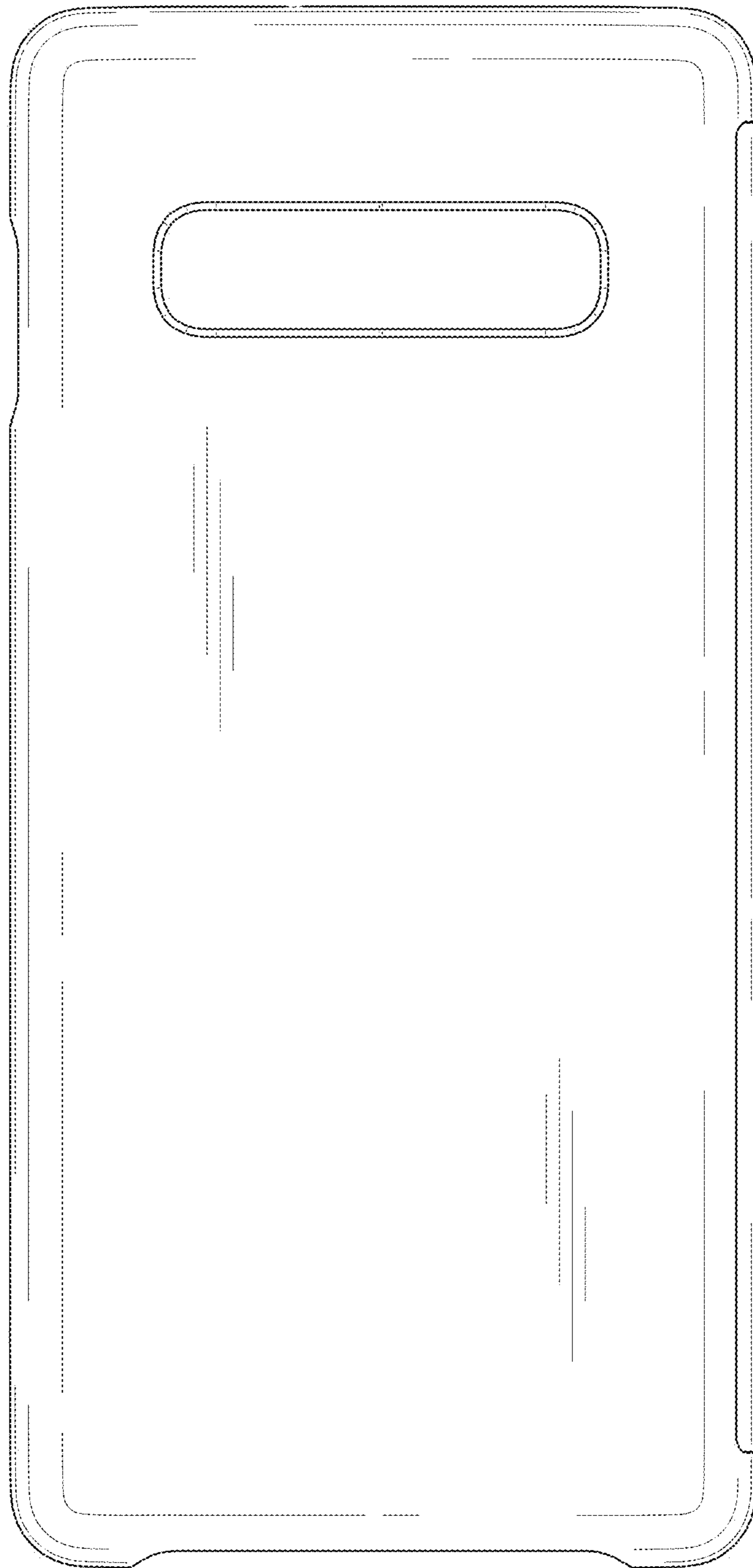


FIG. 4

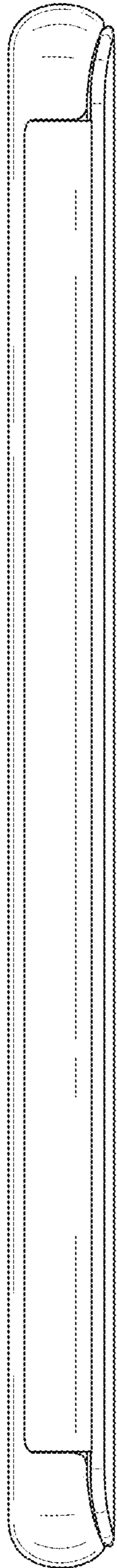


FIG. 5

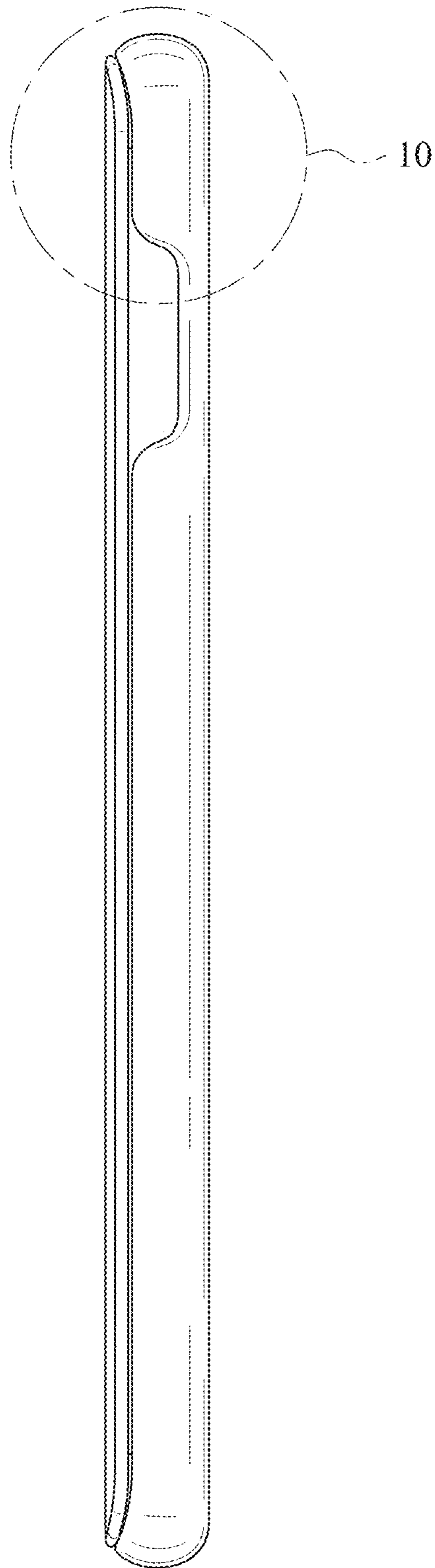


FIG. 6

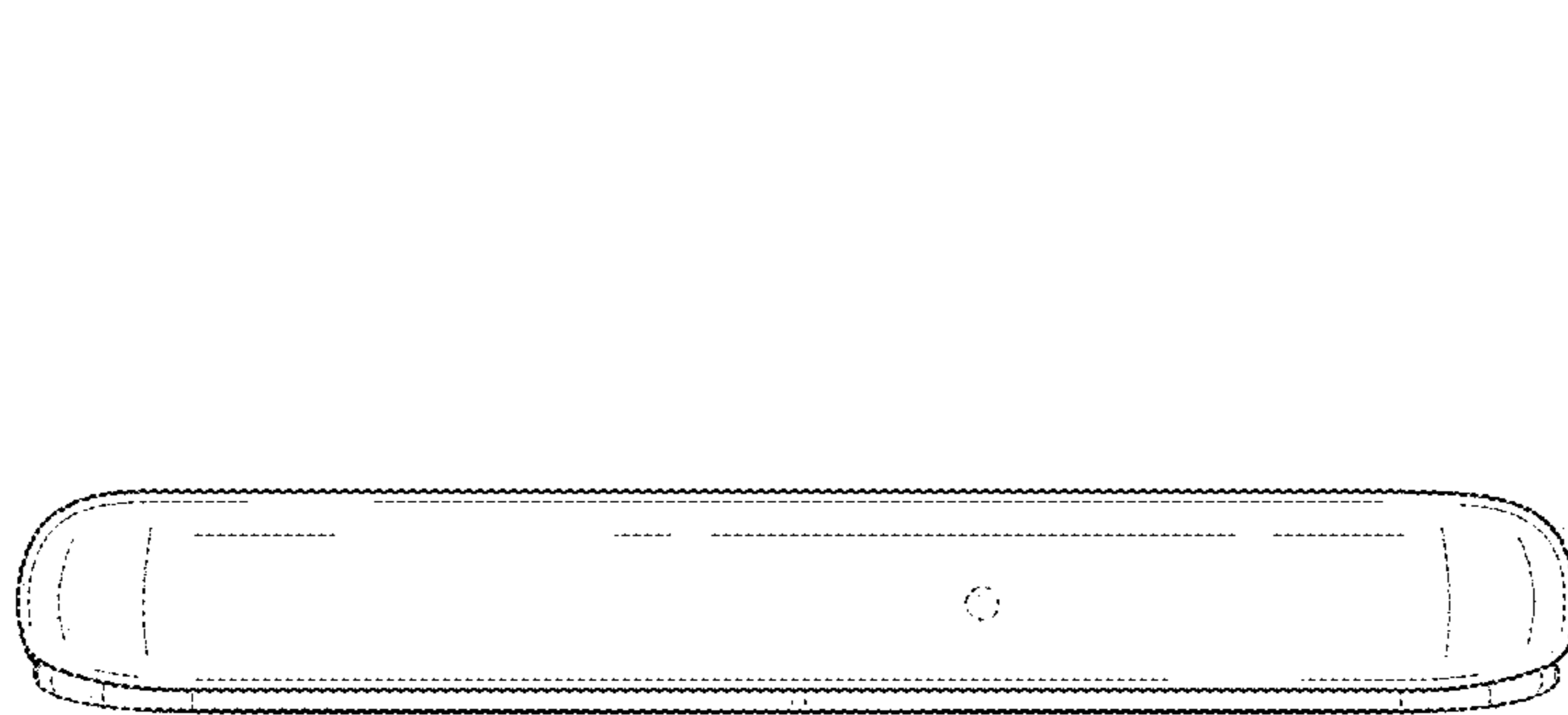


FIG. 7

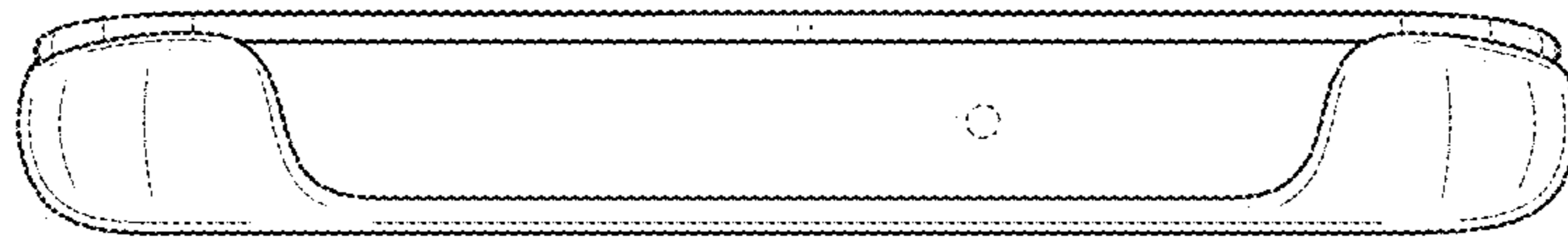


FIG. 8

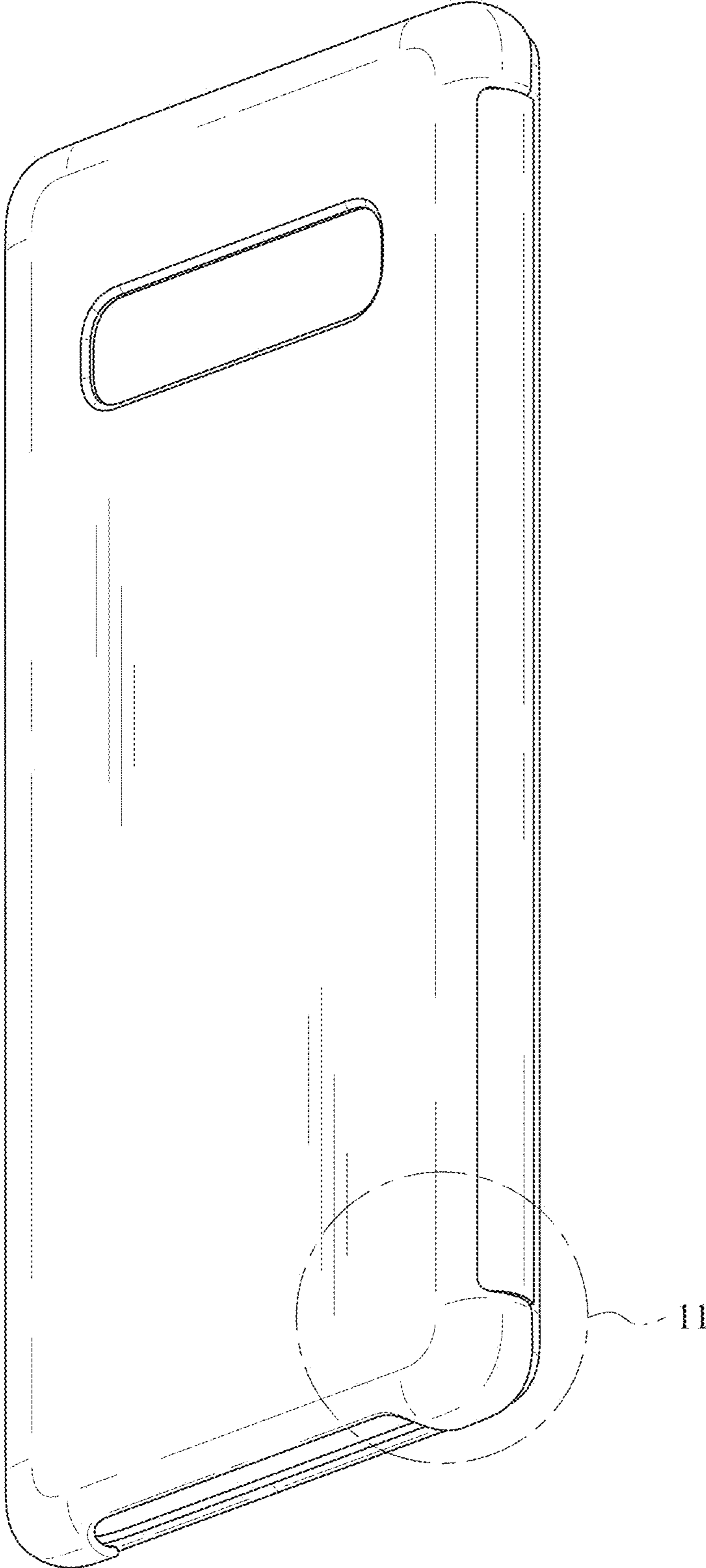


FIG. 9

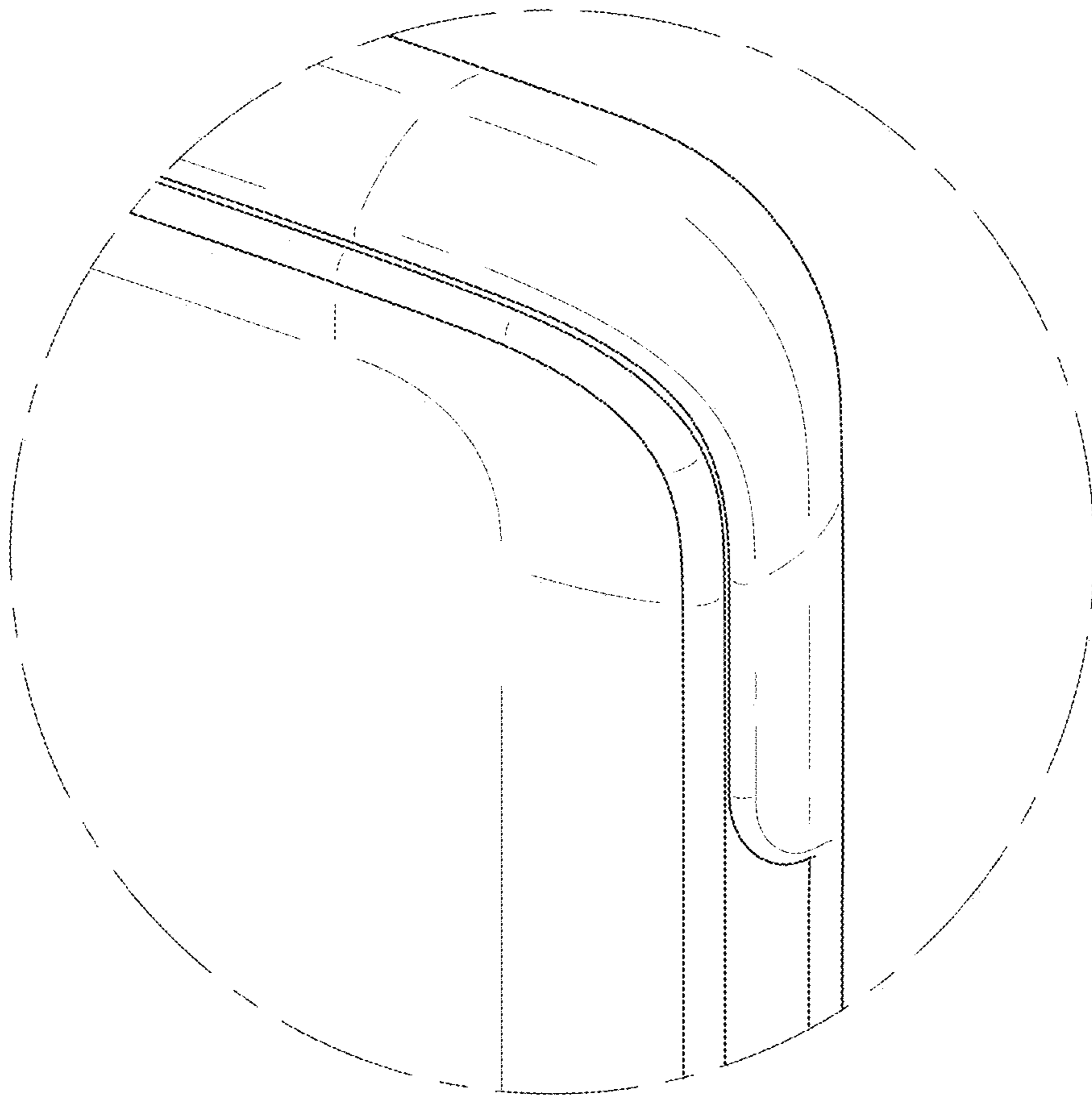


FIG. 10

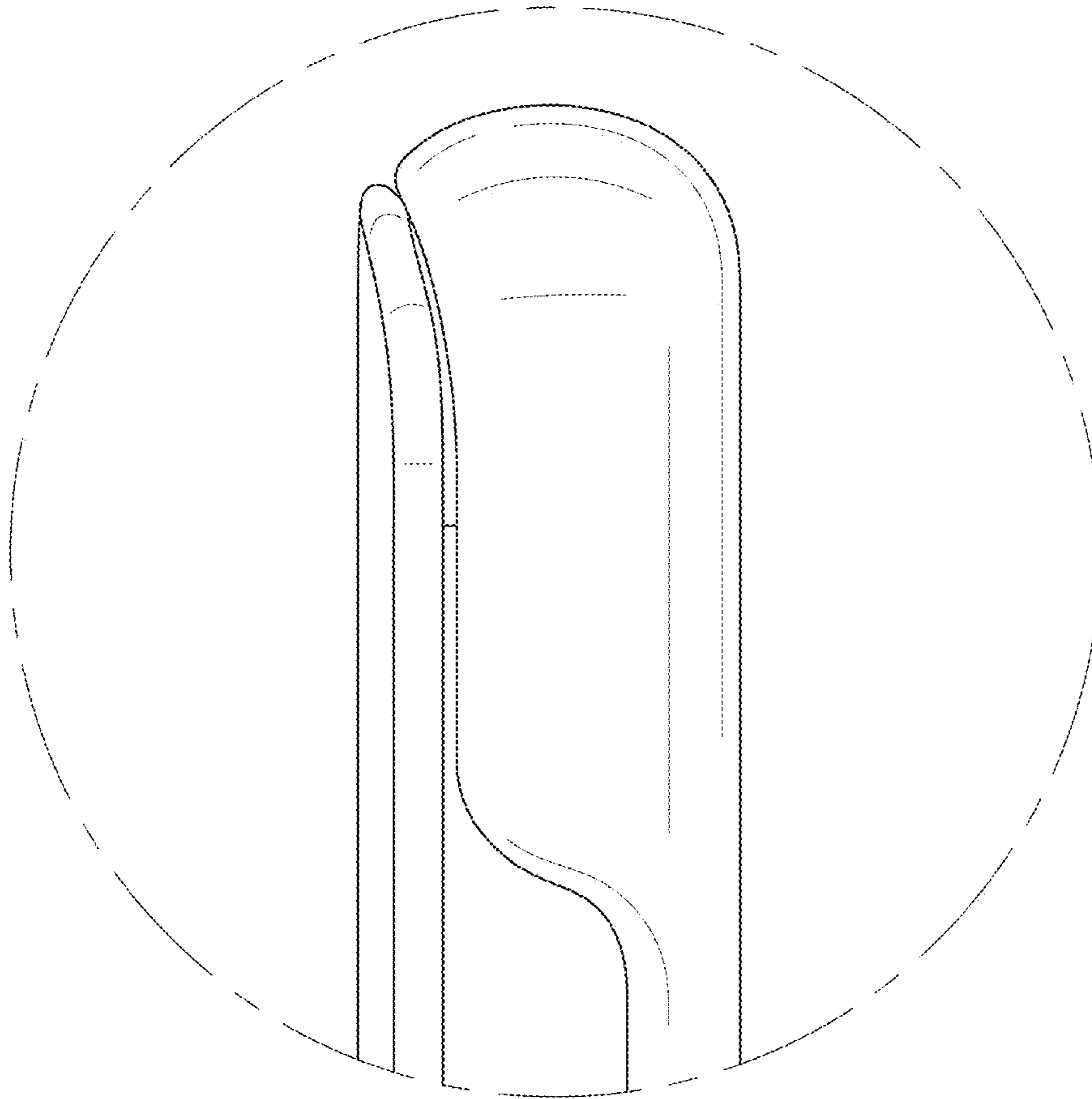


FIG. 11

