



US00D929384S

(12) **United States Design Patent**
Park et al.

(10) **Patent No.:** **US D929,384 S**

(45) **Date of Patent:** **** Aug. 31, 2021**

(54) **CASE FOR ELECTRONIC COMMUNICATIONS DEVICE**

(71) Applicant: **Samsung Electronics Co., Ltd.**,
Suwon-si (KR)

(72) Inventors: **Hyoung Shin Park**, Suwon-si (KR);
Chong-Yoon Chung, Suwon-si (KR);
Min Ah Koh, Suwon-si (KR)

(73) Assignee: **Samsung Electronics Co., Ltd.**,
Suwon-si (KR)

(**) Term: **15 Years**

(21) Appl. No.: **29/691,435**

(22) Filed: **May 16, 2019**

(30) **Foreign Application Priority Data**

Dec. 21, 2018 (KR) 30-2018-0060849

(51) **LOC (13) Cl.** **14-03**

(52) **U.S. Cl.**
USPC **D14/250**

(58) **Field of Classification Search**
USPC D14/203.3–203.7, 439, 251–253, 447,
D14/217, 240, 238.1, 250, 440, 248;
D13/107–108, 103, 119; D3/201, 218,
D3/247, 249, 269, 273, 301, 303
CPC . H04B 1/3888; A45C 13/02; A45C 2011/002;
A45C 1/06; A45C 11/00; A45F 2005/026;
A45F 2200/0525; A45F 2200/0516;
H04M 1/0283; H04M 1/0202
See application file for complete search history.

(56) **References Cited**

U.S. PATENT DOCUMENTS

D648,332 S * 11/2011 Kim D14/248
D659,691 S * 5/2012 Kim D14/250
D691,123 S * 10/2013 Lay D14/250

D705,721 S * 5/2014 Huang D13/103
D709,484 S * 7/2014 Yoo D14/250
D712,351 S * 9/2014 Zeng D13/108
D762,204 S * 7/2016 Armstrong D14/250
D776,105 S * 1/2017 Han D14/250
D789,347 S * 6/2017 Zamudio D14/250
D853,376 S * 7/2019 Jeong D14/250
D860,933 S * 9/2019 Sun D13/108
D861,665 S * 10/2019 Li D14/250

(Continued)

Primary Examiner — Carla J Wright

(74) *Attorney, Agent, or Firm* — NSIP Law

(57) **CLAIM**

We claim the ornamental design for a case for electronic communications device, as shown and described.

DESCRIPTION

FIG. 1 is a front, right-side, and top perspective view of a case for electronic communications device showing our new design;

FIG. 2 is a front view thereof;

FIG. 3 is a rear view thereof;

FIG. 4 is a left-side view thereof;

FIG. 5 is a right-side view thereof;

FIG. 6 is a top view thereof;

FIG. 7 is a bottom view thereof;

FIG. 8 is a rear, left-side, and bottom perspective view thereof;

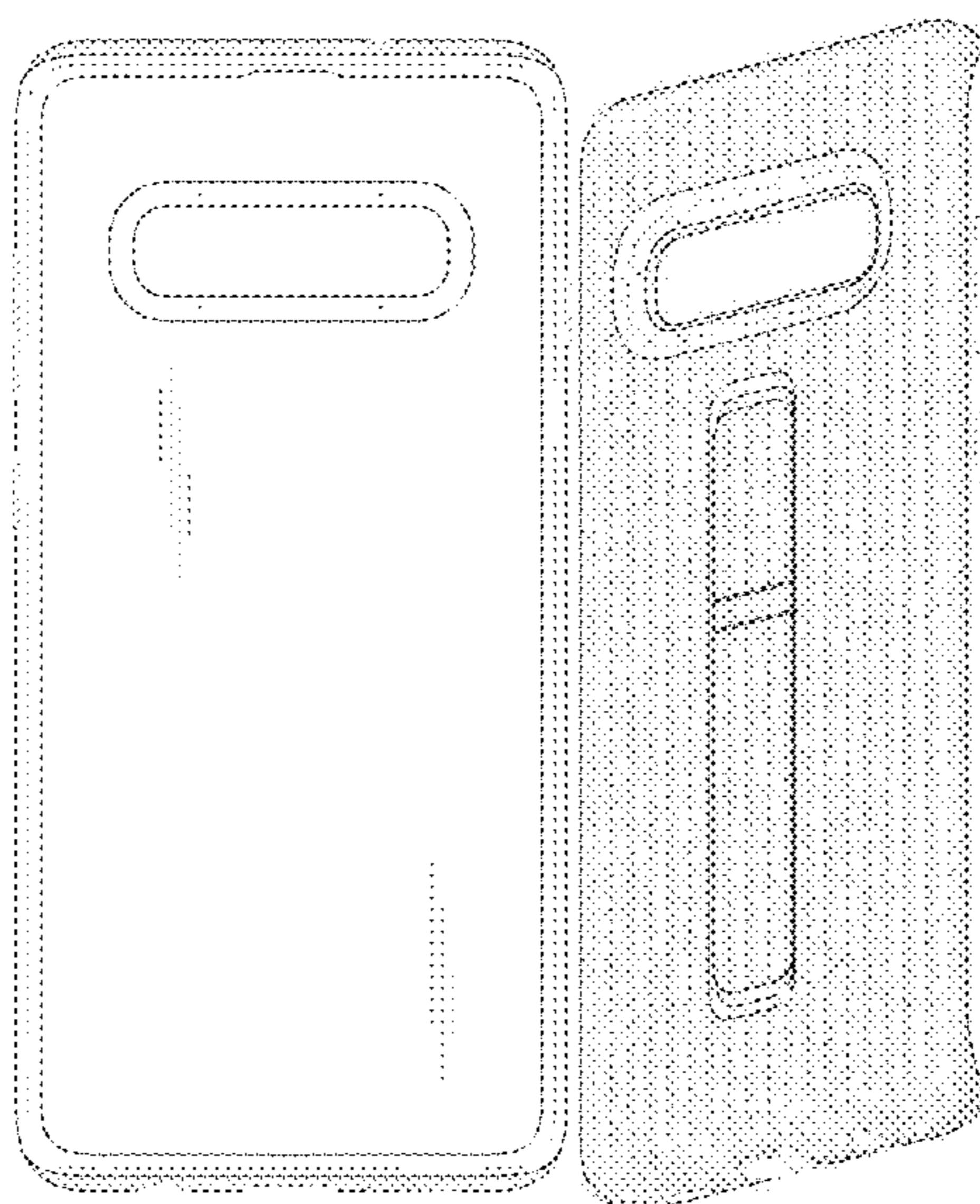
FIG. 9 is a left-side view thereof showing the top support stand in a deployed position; and,

FIG. 10 is a left-side view thereof showing the bottom support stand in a deployed position.

The evenly-dashed broken lines in the figures depict portions of the case for electronic device which form no part of the claimed design.

The dense stippled shading in the drawing figures illustrates the contour of the claimed design and does not depict surface ornamentation.

1 Claim, 10 Drawing Sheets



(56)

References Cited

U.S. PATENT DOCUMENTS

D889,433 S * 7/2020 Yu D14/214
D898,667 S * 10/2020 Liu D13/108
D902,912 S * 11/2020 Kim D14/250
D912,035 S * 3/2021 Lee D14/250
D915,371 S * 4/2021 Cho D14/250
2012/0006950 A1* 1/2012 Vandiver F16M 11/105
248/176.3
2016/0278492 A1* 9/2016 Morszeck A45C 5/02
2018/0041237 A1* 2/2018 Mody H04B 1/3877
2019/0216195 A1* 7/2019 Stagge H04B 1/3888
2021/0059370 A1* 3/2021 Del Toro F16M 13/00

* cited by examiner

FIG. 1

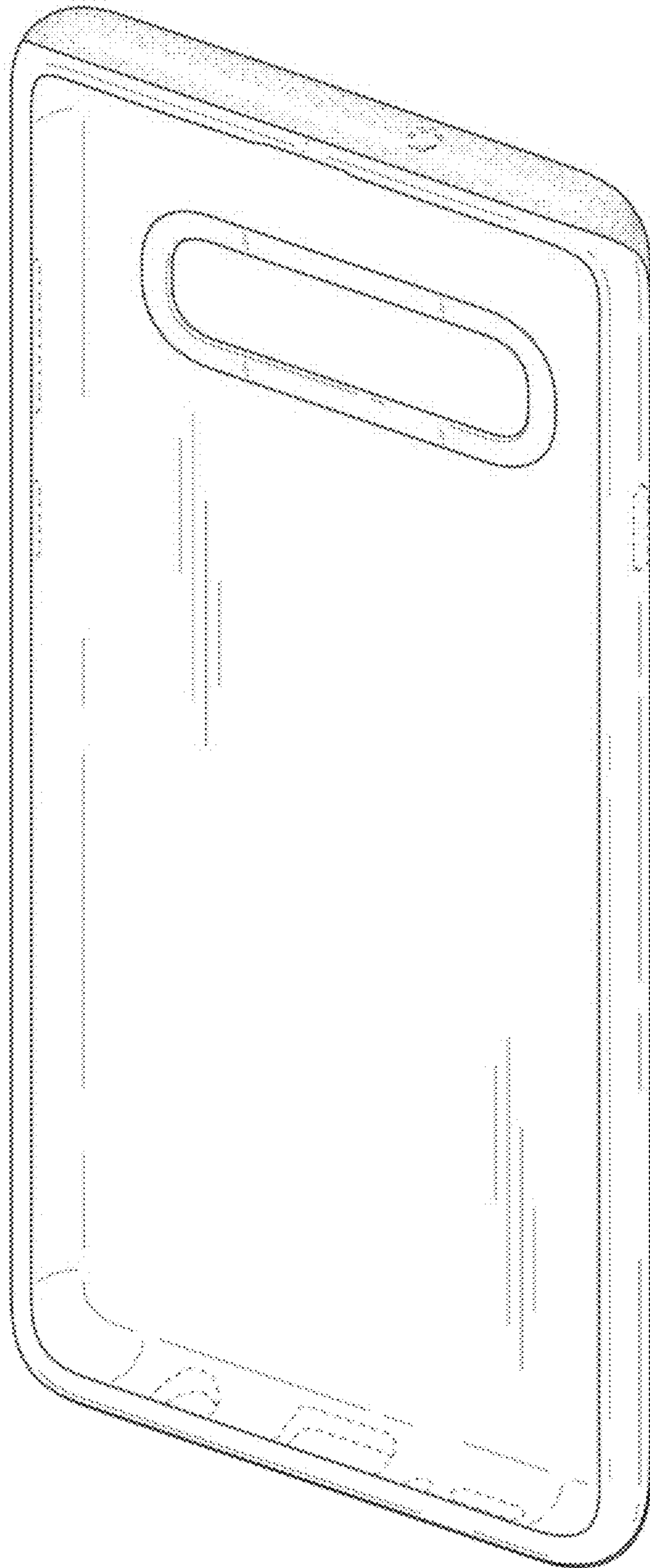


FIG. 2

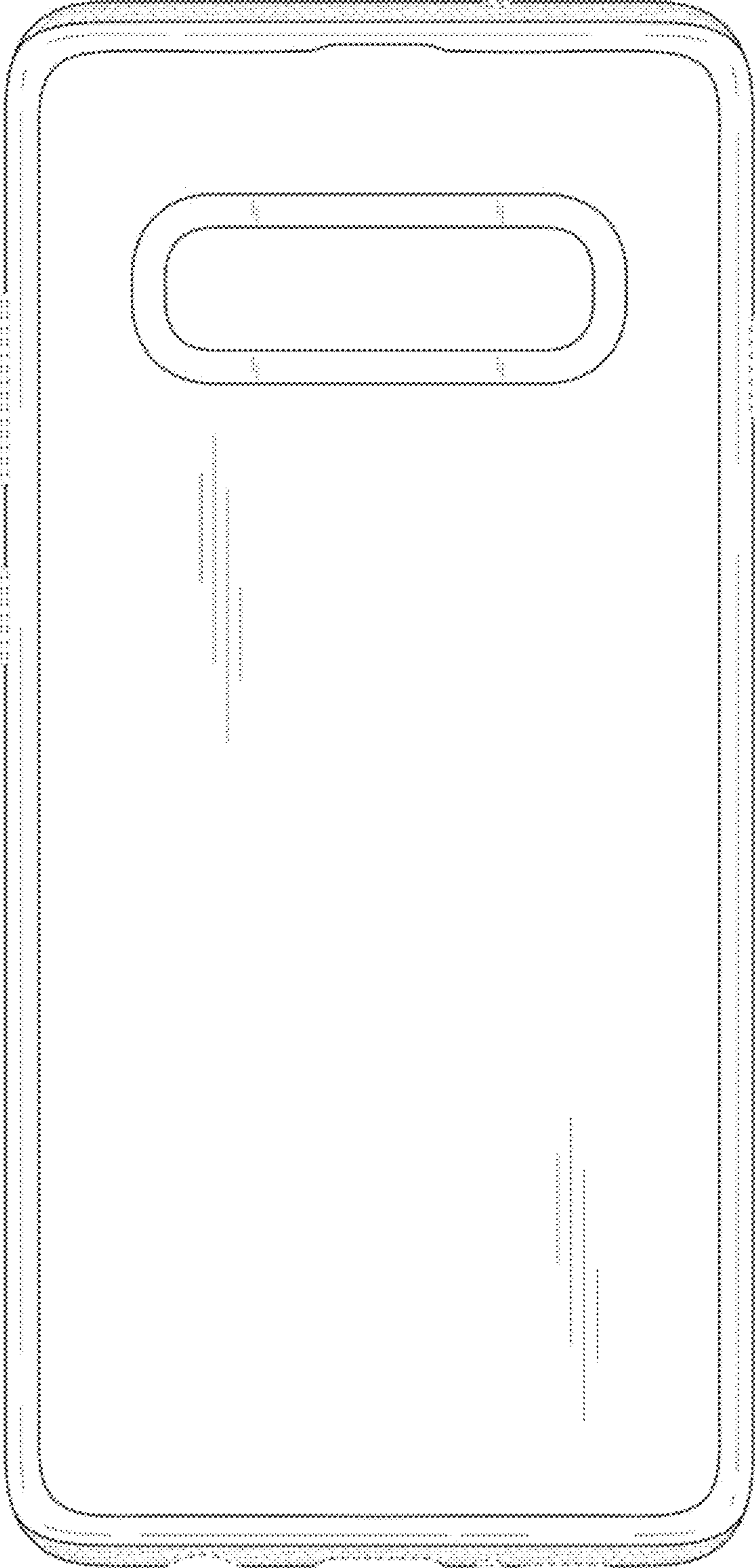


FIG. 3

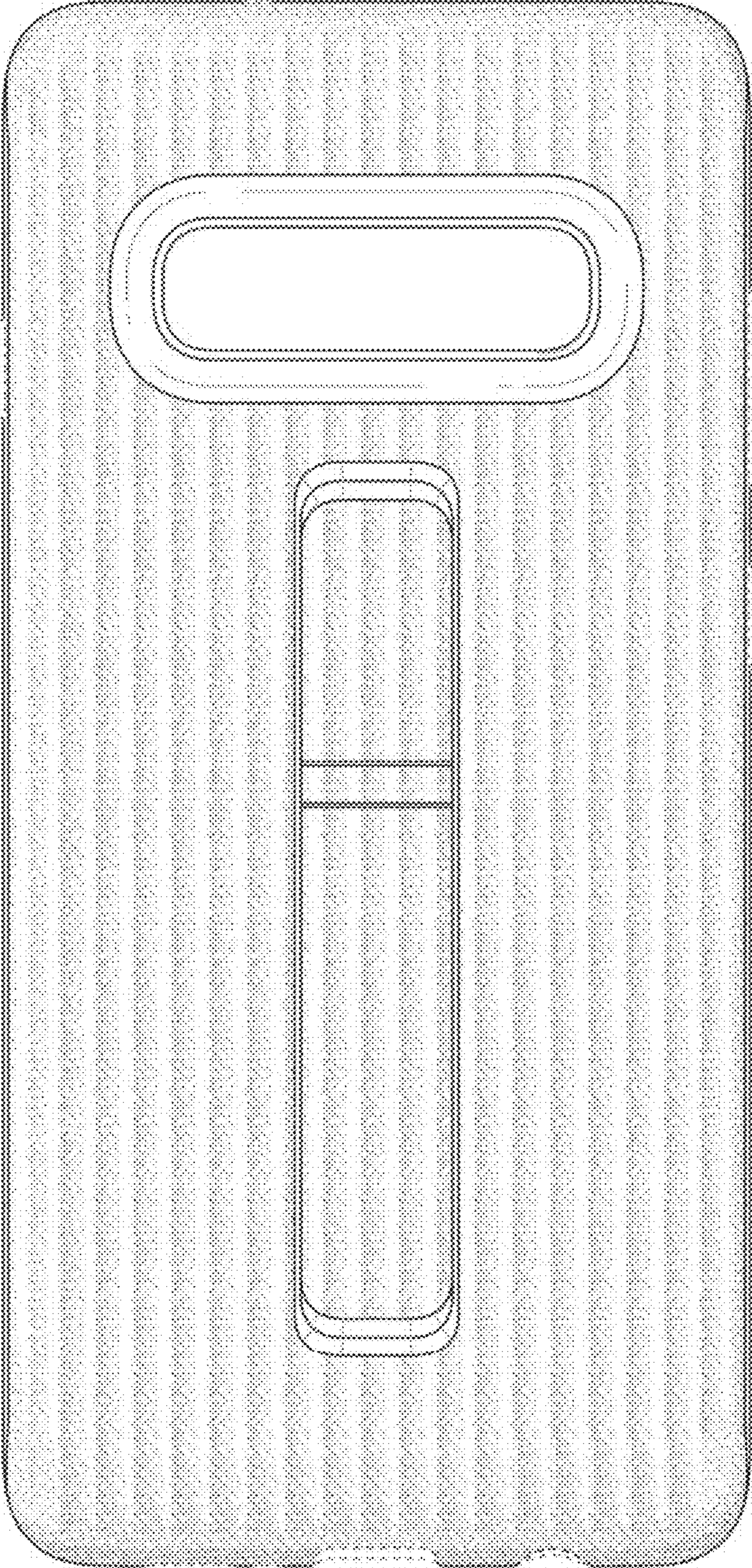


FIG. 4

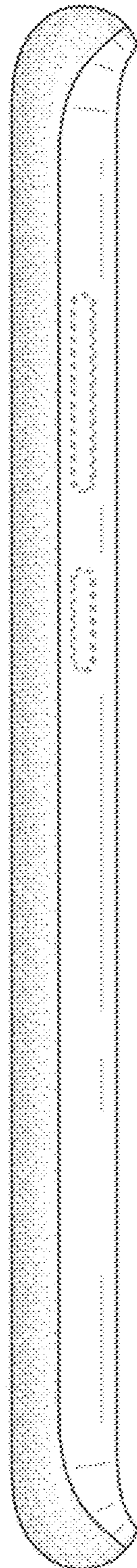


FIG. 5

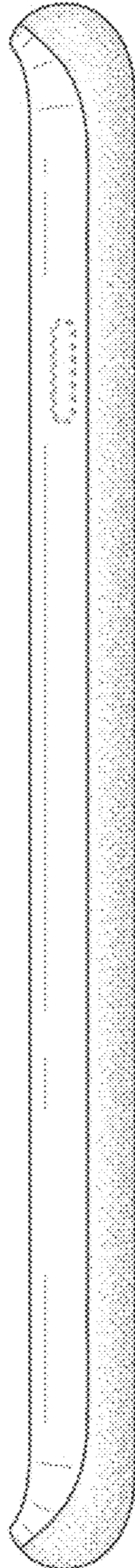


FIG. 6

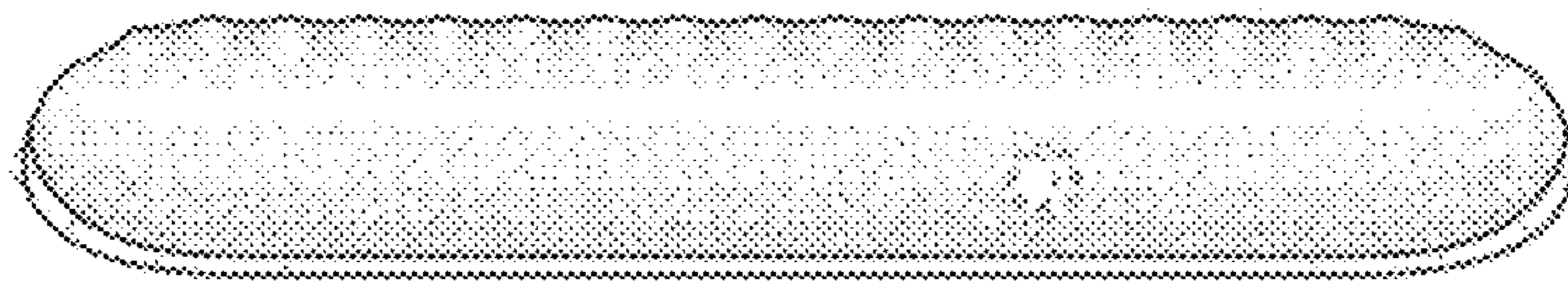


FIG. 7

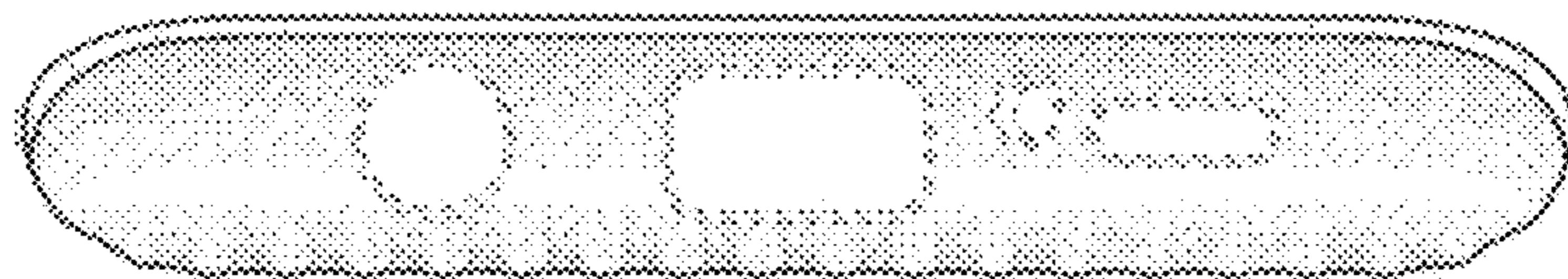


FIG. 8

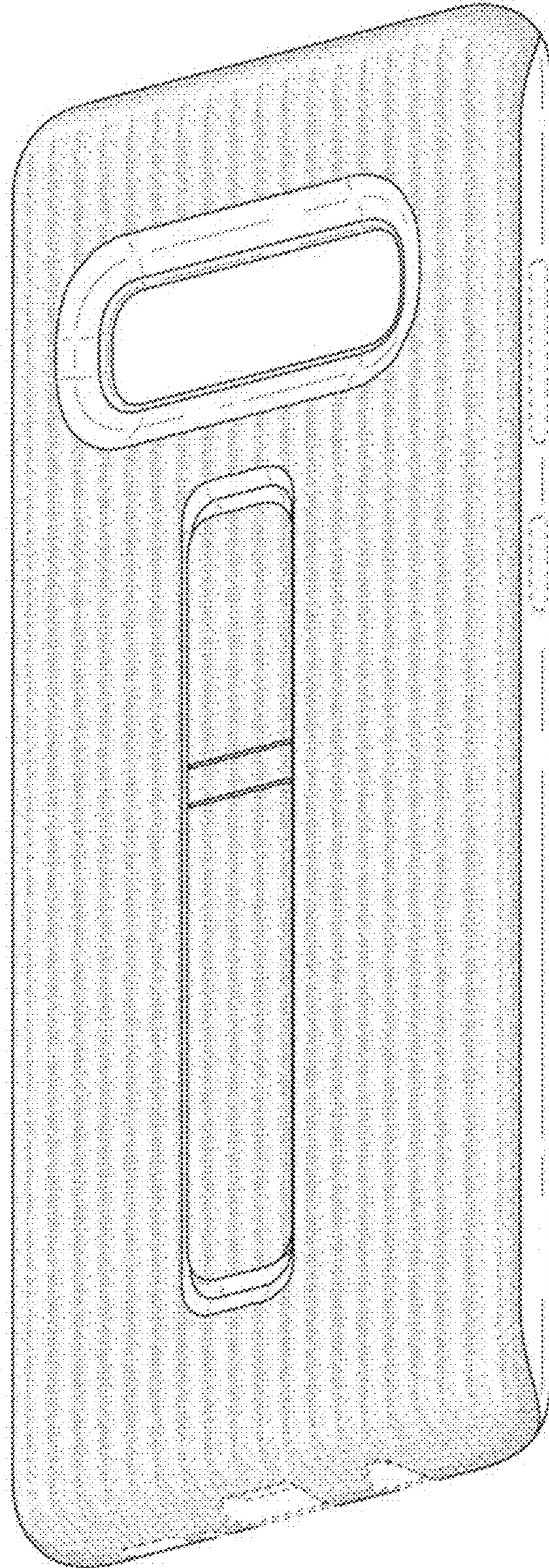


FIG. 9

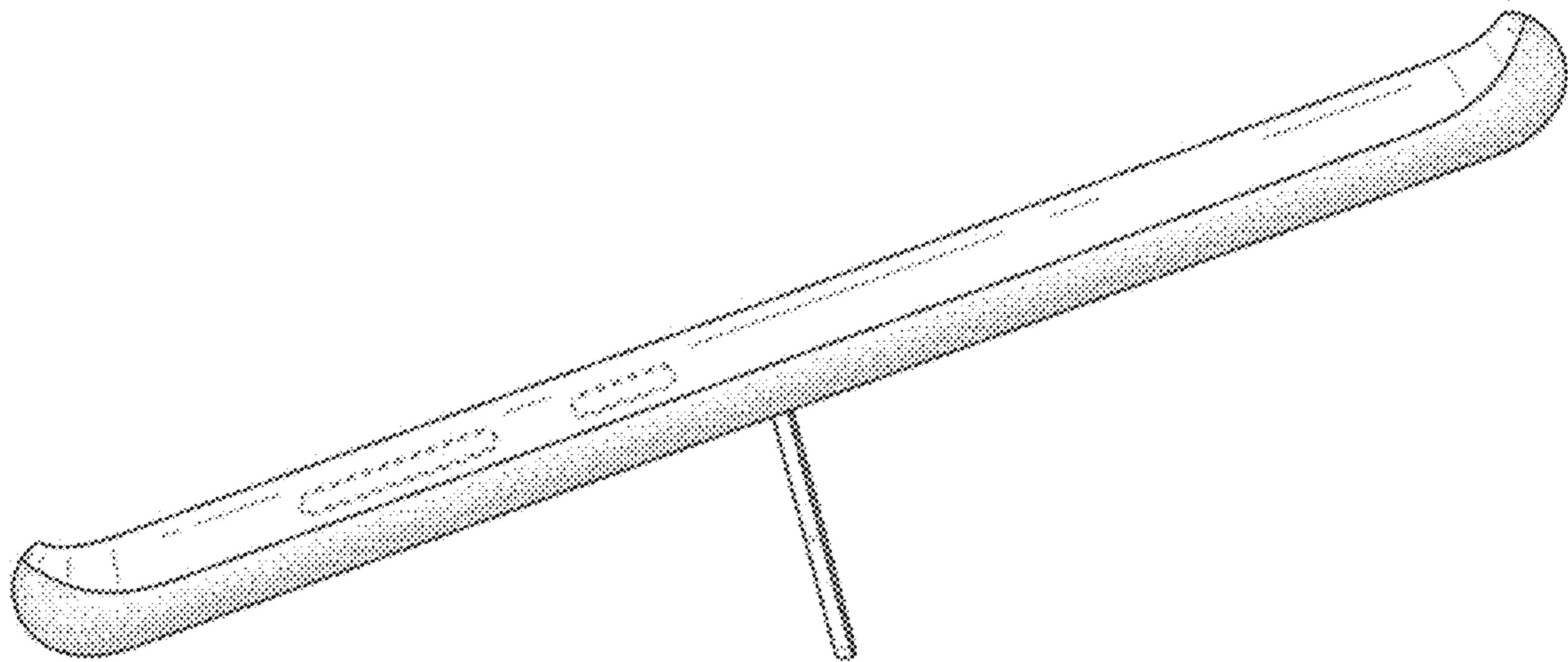


FIG. 10

