



US00D929381S

(12) **United States Design Patent**
Tien

(10) **Patent No.:** **US D929,381 S**

(45) **Date of Patent:** **** Aug. 31, 2021**

(54) **PROTECTIVE COVER FOR ELECTRONIC COMMUNICATIONS DEVICE**

(71) Applicant: **HON HAI PRECISION INDUSTRY CO., LTD.**, New Taipei (TW)

(72) Inventor: **Li-Wen Tien**, New Taipei (TW)

(73) Assignee: **HON HAI PRECISION INDUSTRY CO., LTD.**, New Taipei (TW)

(**) Term: **15 Years**

(21) Appl. No.: **29/609,608**

(22) Filed: **Jul. 3, 2017**

(30) **Foreign Application Priority Data**

Jan. 20, 2017 (CN) 201730023290.6

(51) **LOC (13) Cl.** **14-03**

(52) **U.S. Cl.**
USPC **D14/250**

(58) **Field of Classification Search**

USPC D14/203.3–203.7, 439, 251–253, 447,
D14/217, 240, 238.1, 250, 440, 248;
D13/103, 107–108, 119; D3/201, 218,
D3/247, 249, 269, 273, 301, 303

CPC H04B 1/3888; A45C 1/06; A45C 11/00;
A45C 13/02; A45C 2011/002; A45F
2005/026; A45F 2200/0525; A45F
2200/0516; H04M 1/0283; H04M 1/0202

See application file for complete search history.

(56) **References Cited**

U.S. PATENT DOCUMENTS

D634,741 S * 3/2011 Richardson D14/250
D654,485 S * 2/2012 Chang D14/250
D673,542 S * 1/2013 Melanson D14/250
D673,940 S * 1/2013 Chang D14/250
D679,271 S * 4/2013 Liu D14/250
D706,254 S * 6/2014 Chang D14/250

(Continued)

FOREIGN PATENT DOCUMENTS

JP 1571993 S 2/2017
JP D1571993 * 3/2017

Primary Examiner — Carla J Wright

(74) *Attorney, Agent, or Firm* — ScienBiziP, P.C.

(57) **CLAIM**

I claim the ornamental design for a protective cover for electronic communications device, as shown and described.

DESCRIPTION

FIG. 1 is a front, right-side, and top perspective view of a protective cover for electronic communications device showing my new design;

FIG. 2 is a rear, left-side, and top perspective view of the protective cover of FIG. 1;

FIG. 3 is a front elevational view of the protective cover of FIG. 1;

FIG. 4 is a rear elevational view of the protective cover of FIG. 1;

FIG. 5 is a left side elevational view of the protective cover of FIG. 1;

FIG. 6 is a right side elevational view of the protective cover of FIG. 1;

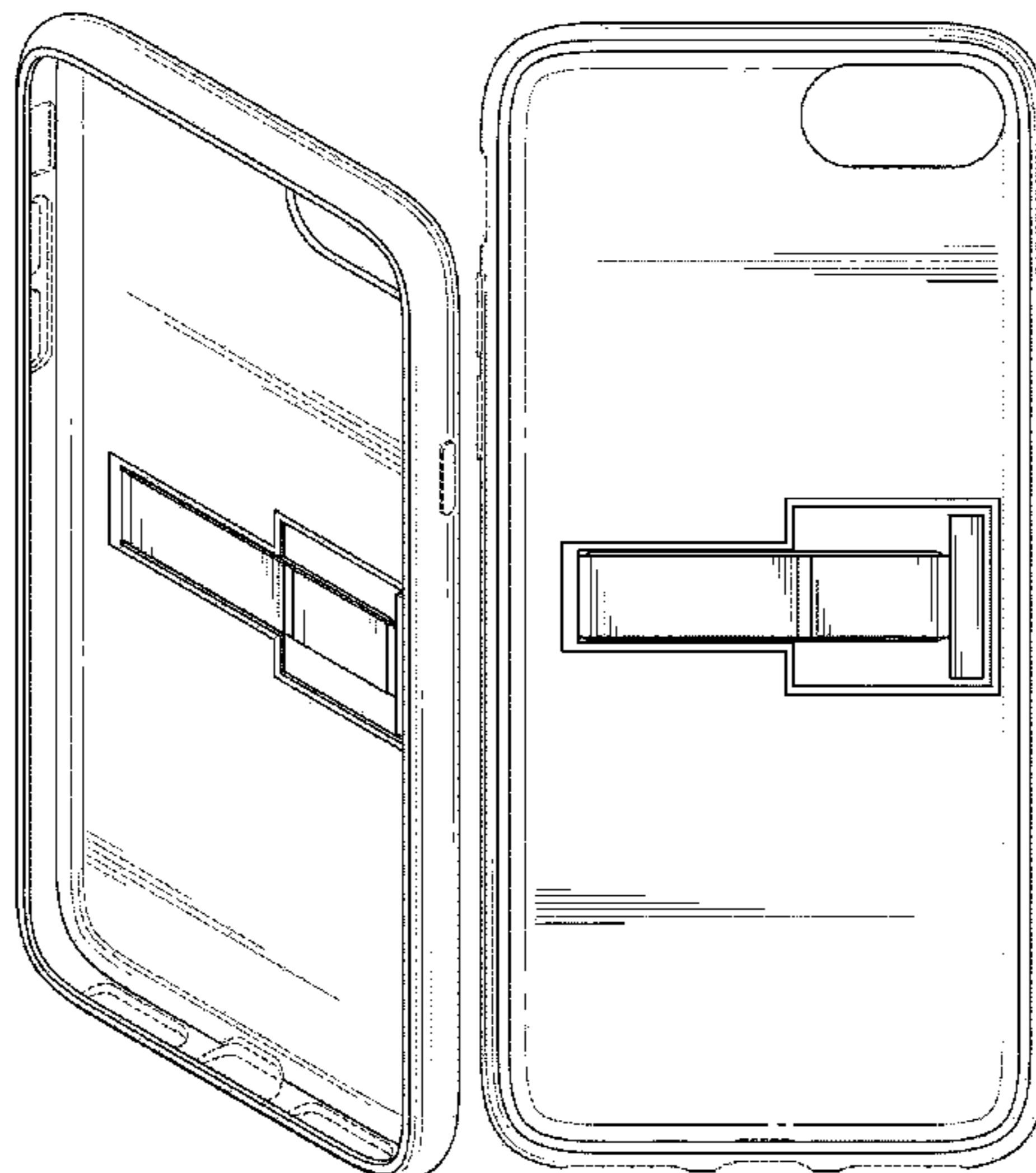
FIG. 7 is a top plan view of the protective cover of FIG. 1;

FIG. 8 is a bottom plan view of the protective cover of FIG. 1; and,

FIG. 9 is a rear, right-side, and top perspective view of the protective cover of FIG. 1 showing the support stand portion of the cover in an extended position.

The broken lines in the drawings depict portions of the protective cover for electronic communications device that form no part of the claimed design. The broken lines and unshaded regions bounded by broken lines form no part of the claimed design.

1 Claim, 9 Drawing Sheets



(56)

References Cited

U.S. PATENT DOCUMENTS

D747,706	S *	1/2016	Tien	D14/250
D774,500	S *	12/2016	Reese	D14/250
D776,104	S *	1/2017	Tien	D14/250
D780,167	S *	2/2017	Tien	D14/250
9,641,212	B1 *	5/2017	Tien	A45F 5/00
9,660,683	B2 *	5/2017	Tien	H04B 1/3888
9,743,730	B2 *	8/2017	Tien	F16M 13/00
D810,065	S *	2/2018	Tien	D14/250
D810,066	S *	2/2018	Tien	D14/250
D816,073	S *	4/2018	Kim	D14/250
10,038,467	B1 *	7/2018	Tien	A45C 11/00
D849,732	S *	5/2019	Mischel	D14/250
D868,764	S *	12/2019	Ahn	D14/250
2017/0033824	A1 *	2/2017	Tien	H04B 1/3888
2018/0212637	A1 *	7/2018	Tien	A45F 5/00

* cited by examiner

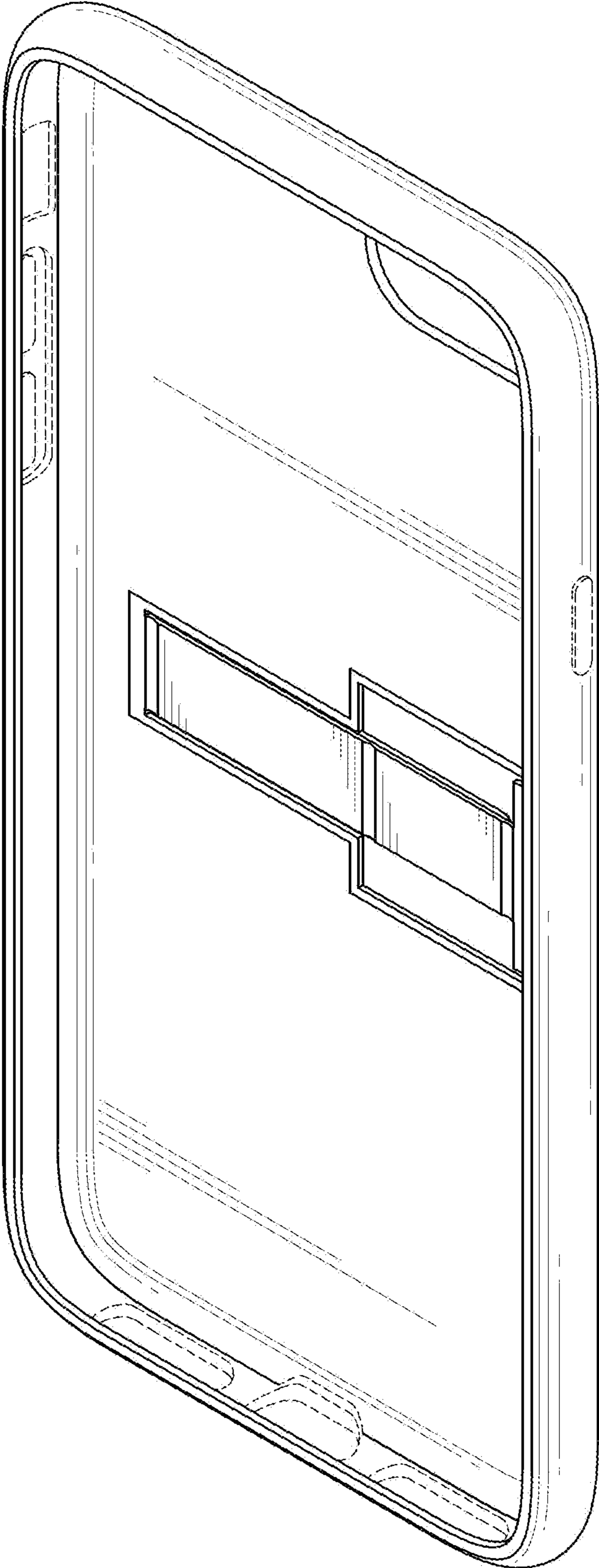


FIG. 1

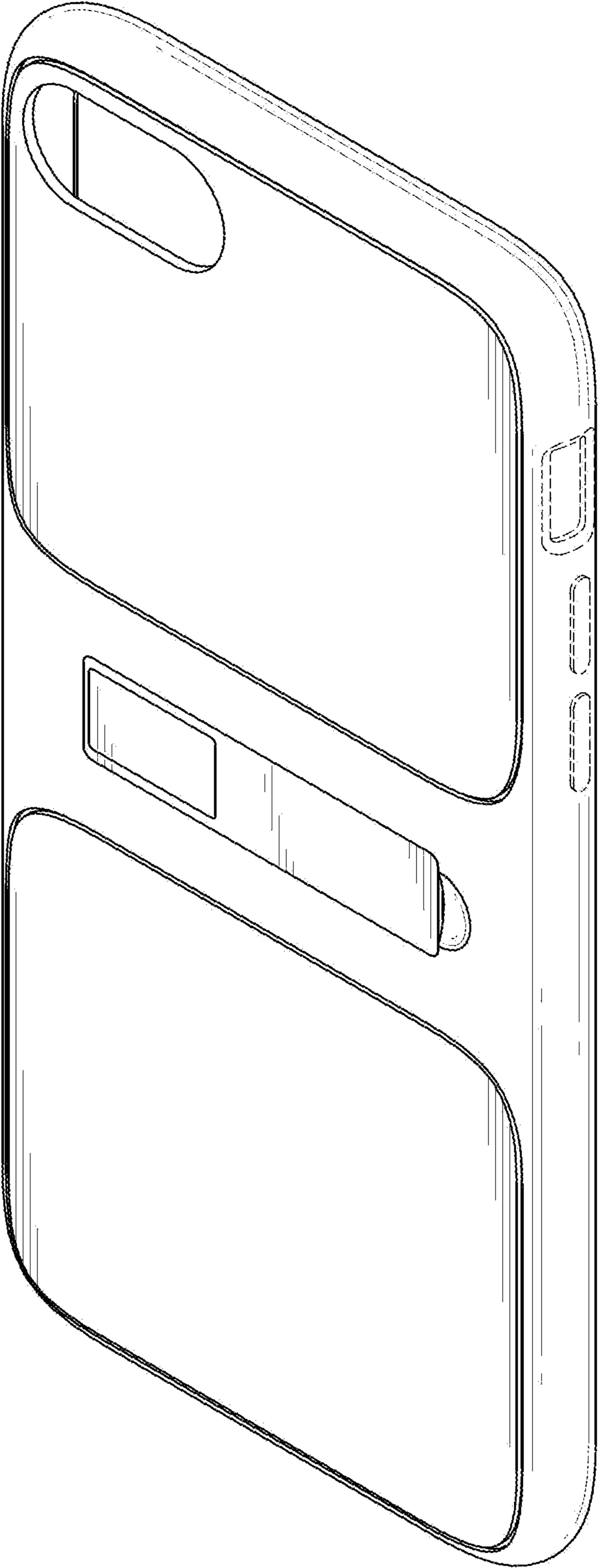


FIG. 2

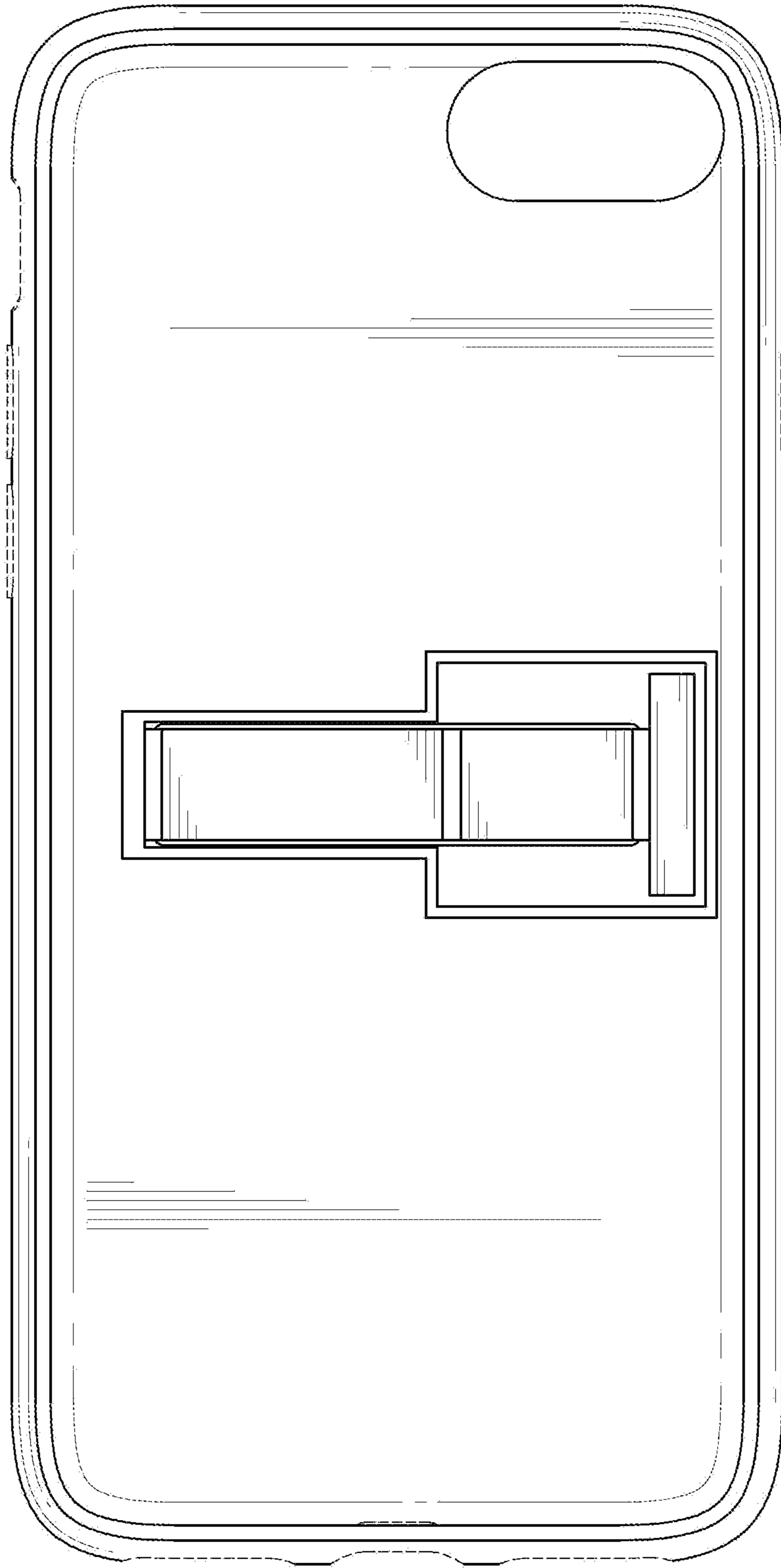


FIG. 3

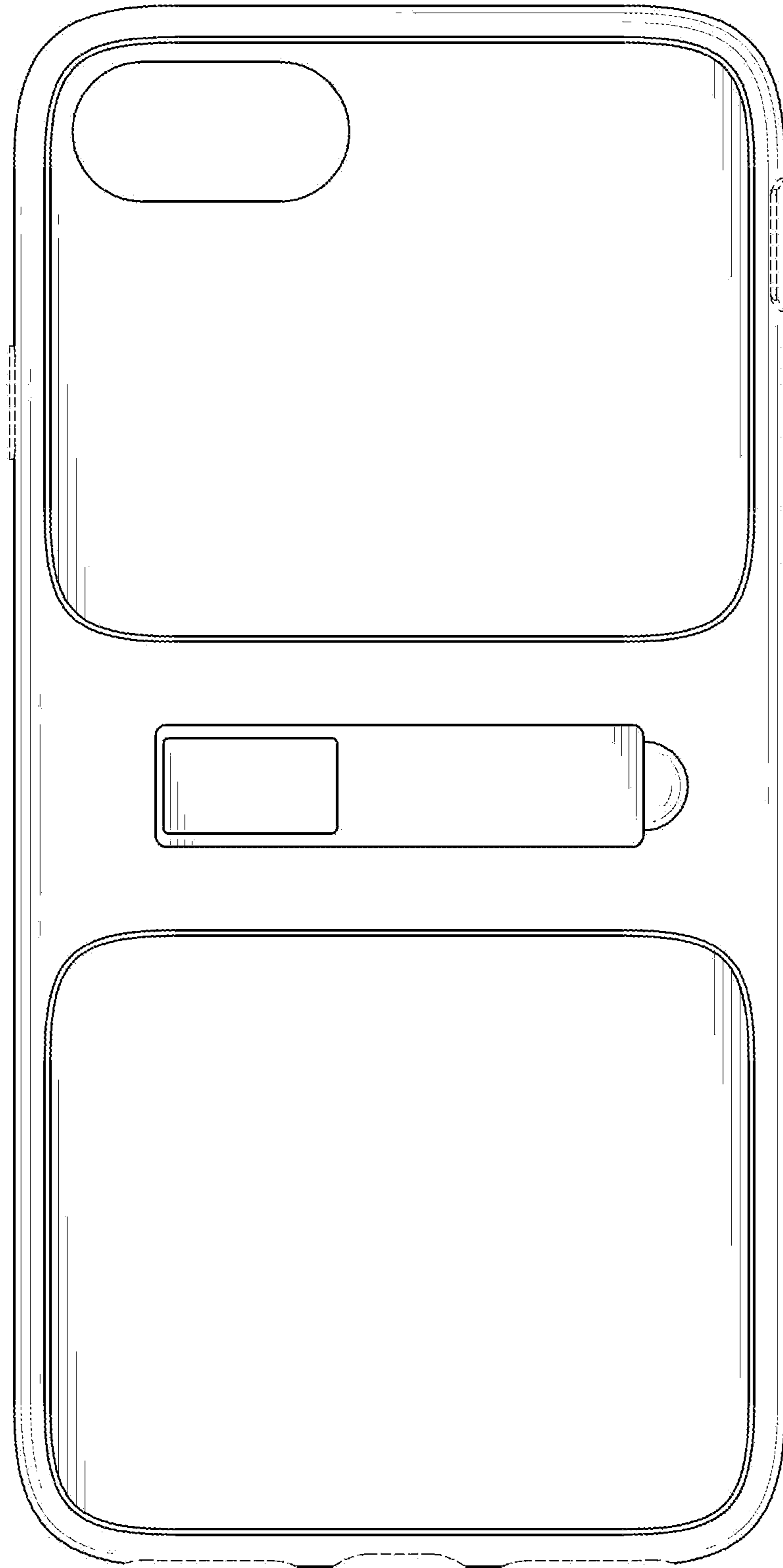


FIG. 4

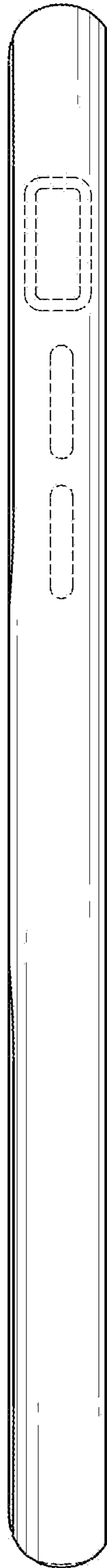


FIG. 5

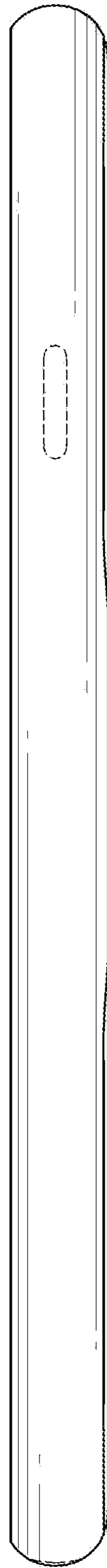


FIG. 6

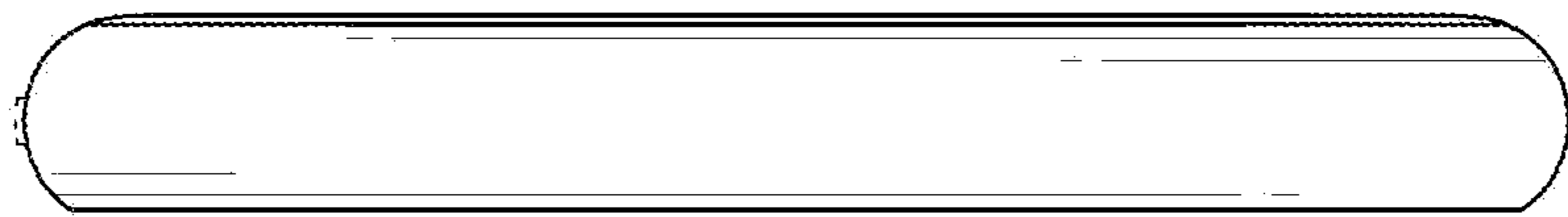


FIG. 7

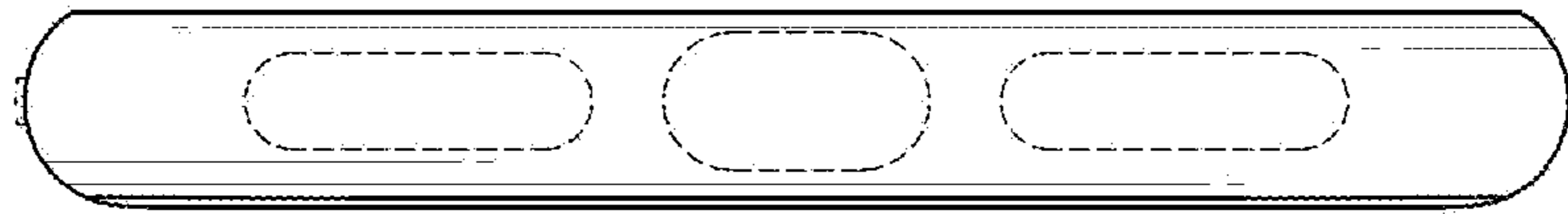


FIG. 8

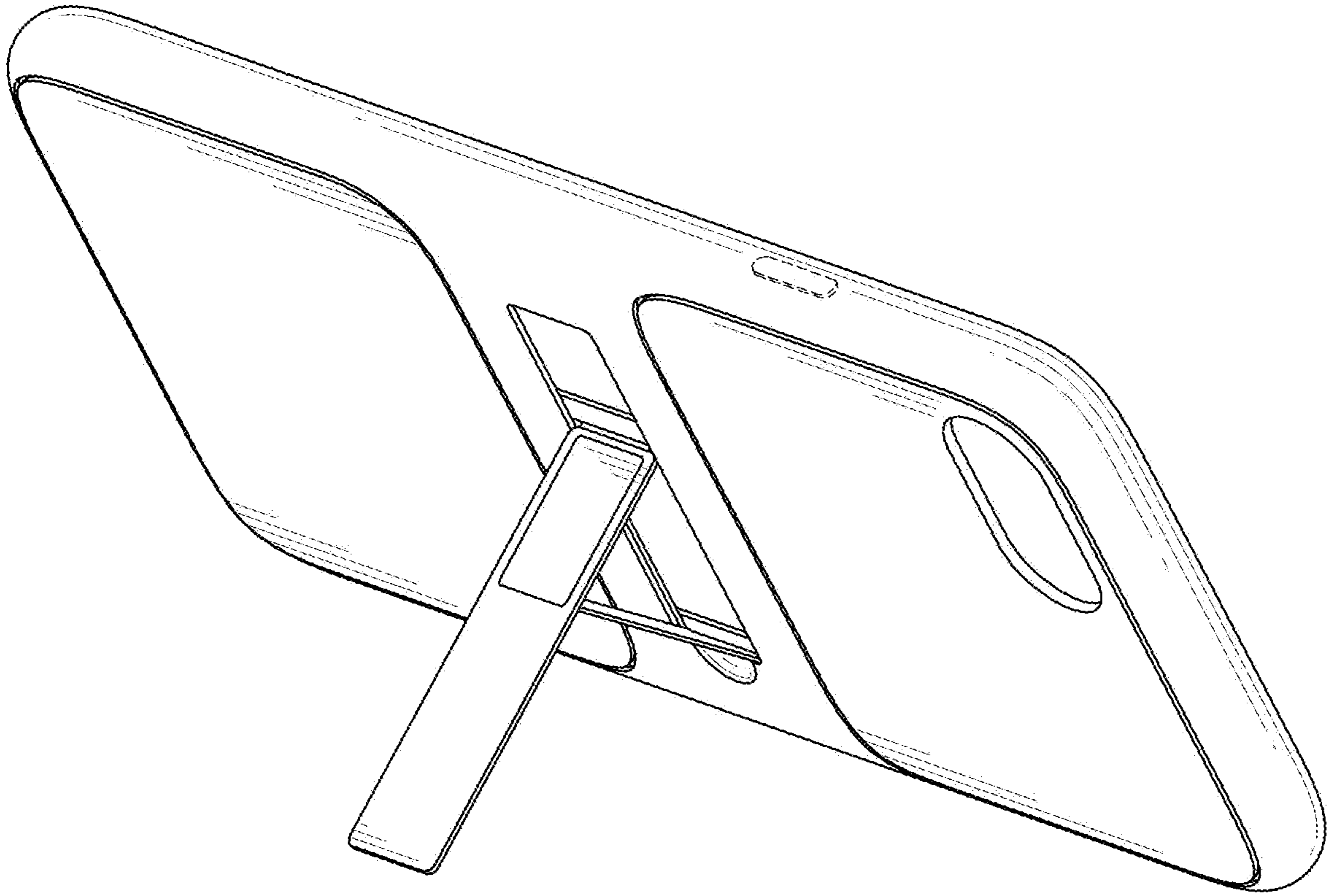


FIG. 9