

US00D929377S

(12) **United States Design Patent** (10) **Patent No.:** **US D929,377 S**
Akana et al. (45) **Date of Patent:** **** Aug. 31, 2021**

(54) **EARPHONE**

(71) Applicant: **Apple Inc.**, Cupertino, CA (US)

(72) Inventors: **Jody Akana**, San Francisco, CA (US); **Bartley K. Andre**, Palo Alto, CA (US); **Jeremy Bataillou**, San Francisco, CA (US); **Daniel J. Coster**, San Francisco, CA (US); **Daniele De Iuliis**, San Francisco, CA (US); **M. Evans Hankey**, San Francisco, CA (US); **Julian Hoenig**, San Francisco, CA (US); **Richard P. Howarth**, San Francisco, CA (US); **Jonathan P. Ive**, San Francisco, CA (US); **Duncan Robert Kerr**, San Francisco, CA (US); **Shin Nishibori**, Kailua, HI (US); **Matthew Dean Rohrbach**, San Francisco, CA (US); **Peter Russell-Clarke**, San Francisco, CA (US); **Christopher J. Stringer**, Woodside, CA (US); **Eugene Antony Whang**, San Francisco, CA (US); **Rico Zörkendörfer**, San Francisco, CA (US)

(73) Assignee: **Apple Inc.**, Cupertino, CA (US)

(**) Term: **15 Years**

(21) Appl. No.: **29/777,088**

(22) Filed: **Apr. 2, 2021**

Related U.S. Application Data

(63) Continuation of application No. 29/713,433, filed on Nov. 15, 2019, now Pat. No. Des. 915,354, which is (Continued)

(51) **LOC (13) Cl.** **14-01**

(52) **U.S. Cl.**
USPC **D14/223**

(58) **Field of Classification Search**

USPC D14/223, 205; D24/174; 128/864, 865, 128/866; 381/380, 381; 455/90.3, 575.1, 455/569.1

CPC H04R 1/10; H04R 25/00; H04R 1/1066; H04R 1/1016; H04R 5/033; H04R 5/0335; H04R 1/105; H04R 1/1091

See application file for complete search history.

(56) **References Cited**

U.S. PATENT DOCUMENTS

4,893,344 A 1/1990 Tragardh et al.

4,965,838 A 10/1990 Kamon et al.

(Continued)

FOREIGN PATENT DOCUMENTS

EM 008132765-0003 * 8/2020

GB 9008042147-0001 * 7/2020

JP D1477257 * 9/2012

Primary Examiner — Paula Allen Greene

(74) *Attorney, Agent, or Firm* — Sterne, Kessler, Goldstein & Fox P.L.L.C.

(57) **CLAIM**

The ornamental design for an earphone, as shown and described.

DESCRIPTION

FIG. 1 is a front perspective view of an earphone showing the claimed design;

FIG. 2 is a rear perspective view thereof;

FIG. 3 is a front view thereof;

FIG. 4 is a rear view thereof;

FIG. 5 is a right side view thereof;

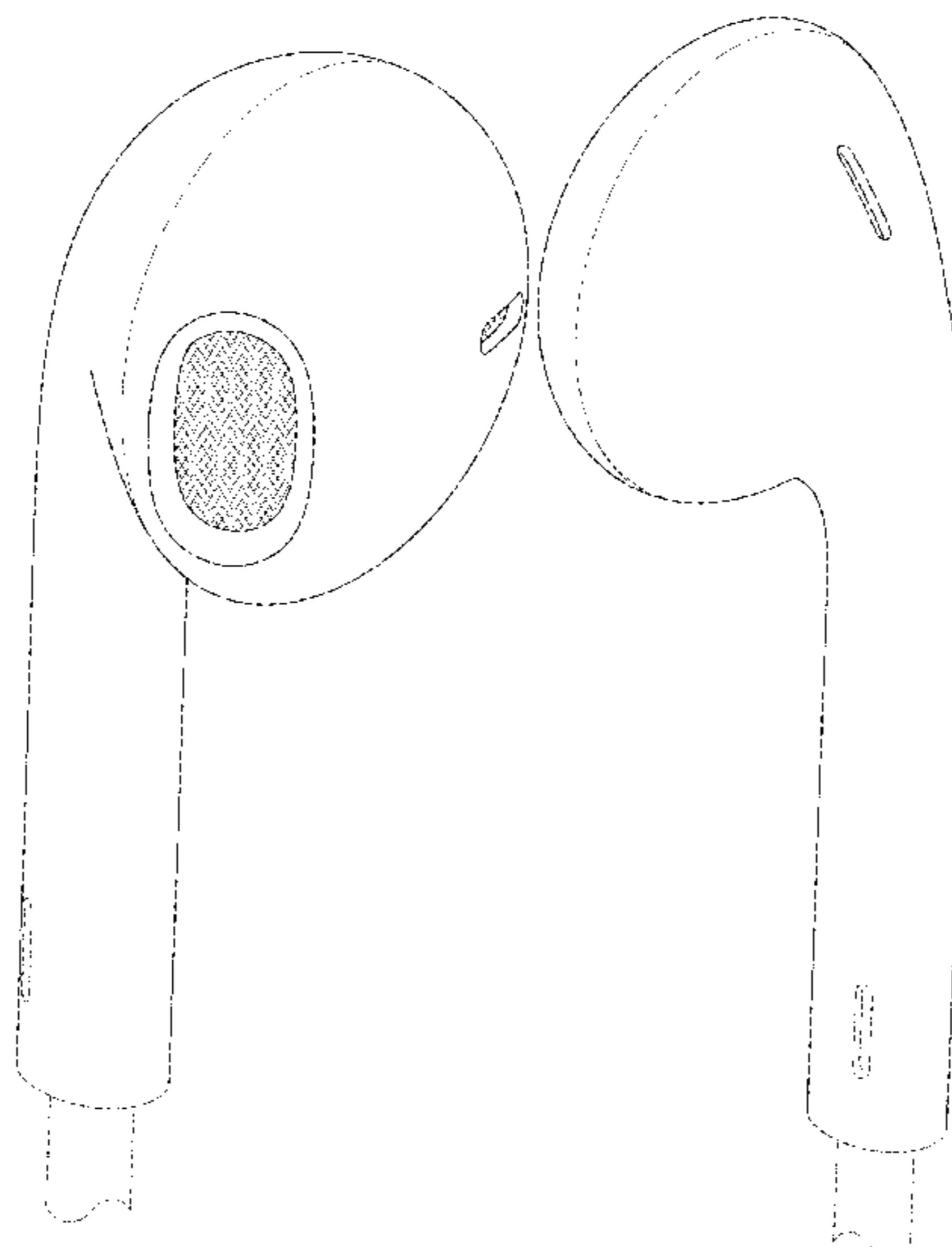
FIG. 6 is a left side view thereof;

FIG. 7 is a top view thereof; and,

FIG. 8 is a bottom view thereof.

The broken lines in the figures show portions of the earphone that form no part of the claimed design.

1 Claim, 5 Drawing Sheets



Related U.S. Application Data

a continuation of application No. 29/581,784, filed on Oct. 21, 2016, now Pat. No. Des. 867,325, which is a continuation of application No. 29/530,281, filed on Jun. 15, 2015, now Pat. No. Des. 769,849, which is a continuation of application No. 29/493,749, filed on Jun. 12, 2014, now Pat. No. Des. 732,008, which is a continuation of application No. 29/453,449, filed on Apr. 29, 2013, now Pat. No. Des. 707,206, which is a continuation of application No. 29/431,563, filed on Sep. 8, 2012, now Pat. No. Des. 681,015.

(56)

References Cited

U.S. PATENT DOCUMENTS

D316,550 S 4/1991 Sogabe
 D331,057 S 11/1992 Isonaga
 D331,061 S 11/1992 Hyohgo
 D337,118 S 7/1993 Seikita
 D337,589 S 7/1993 Wada
 D344,800 S 3/1994 Lamby
 D353,379 S 12/1994 Nakamura et al.
 D410,079 S 5/1999 Falco et al.
 6,122,369 A * 9/2000 Hwang H04M 1/6058
 379/420.04
 D463,789 S 10/2002 DeKalb et al.
 D469,753 S 2/2003 Andre et al.
 6,574,345 B1 * 6/2003 Huang H04R 1/1016
 379/430
 D479,837 S 9/2003 Sundquist et al.
 D488,460 S 4/2004 Alwicker et al.
 D499,397 S 12/2004 Hlas et al.
 D505,132 S 5/2005 Linville et al.
 D506,744 S 6/2005 Andre et al.
 D515,070 S 2/2006 Andre et al.
 D518,008 S 3/2006 Peng
 D523,846 S 6/2006 Lee
 D533,868 S 12/2006 Koizumi
 D540,313 S 4/2007 Rausch et al.
 D554,109 S 10/2007 Ledbetter et al.
 D557,689 S 12/2007 Huang
 D566,687 S 4/2008 Duarte et al.
 D568,291 S * 5/2008 Andre D14/205
 D573,977 S 7/2008 Ledbetter et al.
 D575,269 S 8/2008 Ledbetter et al.
 D578,518 S 10/2008 Ewert
 D579,923 S 11/2008 Andre et al.
 D587,677 S * 3/2009 Andre D14/205
 D589,028 S 3/2009 Haapapuro et al.
 D589,491 S * 3/2009 Andre D14/205
 D589,498 S 3/2009 Komiyama
 D590,375 S 4/2009 Komiyama
 D593,537 S 6/2009 Arimoto
 D596,616 S 7/2009 Andre et al.
 D599,330 S 9/2009 Andre et al.
 D601,134 S 9/2009 Elabidi et al.
 D616,874 S 6/2010 Matsuoka
 D618,209 S 6/2010 Andre et al.
 D618,210 S 6/2010 Andre et al.
 D618,219 S 6/2010 Burgett et al.
 D620,482 S 7/2010 Chen
 D622,265 S 8/2010 Rye
 D626,948 S 11/2010 Nault
 D627,766 S 11/2010 Arimoto
 D628,193 S * 11/2010 Zheng D14/223
 D632,282 S 2/2011 Kitayama
 D633,086 S 2/2011 Chen
 D635,960 S 4/2011 Gonda et al.
 D639,279 S 6/2011 Andre et al.
 D641,738 S 7/2011 Perez
 D643,416 S 8/2011 Chong et al.
 D652,823 S 1/2012 Chen
 D653,236 S 1/2012 Andre et al.
 D656,481 S * 3/2012 McManigal D14/205
 D662,493 S * 6/2012 Chen D14/223

D662,495 S * 6/2012 Andre D14/223
 D664,523 S 7/2012 Naitou
 D666,580 S 9/2012 Lee et al.
 D669,058 S 10/2012 Lee et al.
 D669,453 S 10/2012 Katsuraku et al.
 D674,781 S 1/2013 Sakata
 D675,194 S 1/2013 Andre et al.
 D676,427 S 2/2013 Yang
 8,391,533 B2 3/2013 Sim et al.
 D681,015 S 4/2013 Akana et al.
 D687,418 S 8/2013 Godfrey
 D687,419 S 8/2013 Andre et al.
 D691,594 S 10/2013 Akana et al.
 D694,249 S 11/2013 Akana et al.
 D706,643 S 6/2014 Akana et al.
 D707,206 S * 6/2014 Akana H04R 1/10
 D14/223
 D712,279 S 9/2014 Akana et al.
 D718,284 S * 11/2014 Shibusawa D14/223
 8,965,030 B2 * 2/2015 Aase H04R 1/1016
 381/380
 D728,553 S 5/2015 Kim et al.
 9,042,588 B2 5/2015 Aase
 D732,007 S 6/2015 Oksman et al.
 D732,008 S * 6/2015 Akana H04R 1/10
 D14/223
 D733,101 S * 6/2015 Pi D14/223
 D733,689 S * 7/2015 Narita D14/223
 D738,864 S 9/2015 Lee
 D741,287 S * 10/2015 Harata D14/205
 D747,295 S 1/2016 Eastwood et al.
 D755,759 S 5/2016 Cai
 D757,682 S 5/2016 Perez
 D769,849 S * 10/2016 Akana H04R 1/10
 D14/223
 D770,412 S 11/2016 Son
 D770,425 S * 11/2016 Son D14/223
 D798,844 S 10/2017 Nokuo
 D801,314 S 10/2017 Akana et al.
 D820,809 S 6/2018 Akana et al.
 D828,823 S 9/2018 Lin
 D828,835 S 9/2018 Akana et al.
 D830,345 S 10/2018 Cai
 D847,125 S 4/2019 Akana et al.
 D853,995 S 7/2019 Cai
 D867,326 S 11/2019 Sweet et al.
 D869,445 S 12/2019 Hu
 RE47,915 E 3/2020 Akana et al.
 D878,045 S 3/2020 Akana et al.
 D878,337 S 3/2020 Yang
 D881,849 S 4/2020 Aoyagi et al.
 D883,260 S 5/2020 Hu
 D885,373 S 5/2020 Lundback
 D887,396 S 6/2020 Wang et al.
 D888,691 S 6/2020 Liu
 D889,437 S 7/2020 Ando et al.
 D890,138 S 7/2020 Peng
 D896,788 S 9/2020 Akana et al.
 D897,997 S 10/2020 Zhang
 D914,645 S 3/2021 Akana et al.
 D915,354 S 4/2021 Akana et al.
 2012/0155692 A1 6/2012 Chen
 2012/0237074 A1 * 9/2012 Aase H04R 1/1075
 381/380
 2013/0004011 A1 * 1/2013 Hayashida H04R 1/345
 381/380
 2013/0336495 A1 12/2013 Burgett et al.
 2013/0343593 A1 * 12/2013 Howes H04R 1/023
 381/380
 2013/0343595 A1 * 12/2013 Zorkendorfer H04R 1/1016
 381/380
 2015/0382100 A1 12/2015 Azmi et al.
 2017/0164087 A1 6/2017 Kurtz
 2018/0077481 A1 * 3/2018 Kim H04R 1/1016
 2020/0107098 A1 * 4/2020 DiFonzo H01F 1/147
 2020/0275182 A1 * 8/2020 Ettensberger H04R 1/1016
 2020/0296499 A1 * 9/2020 Chen H04R 1/10

* cited by examiner

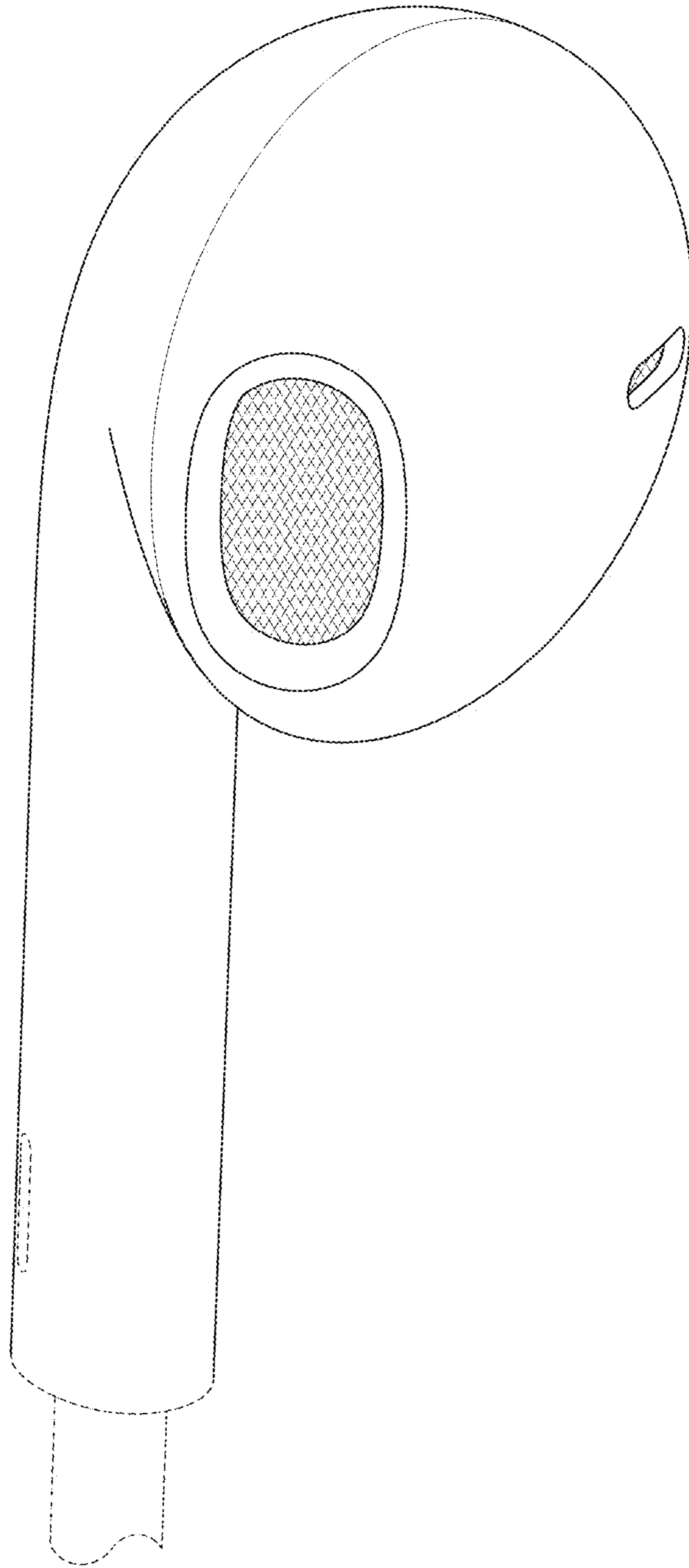


FIG. 1

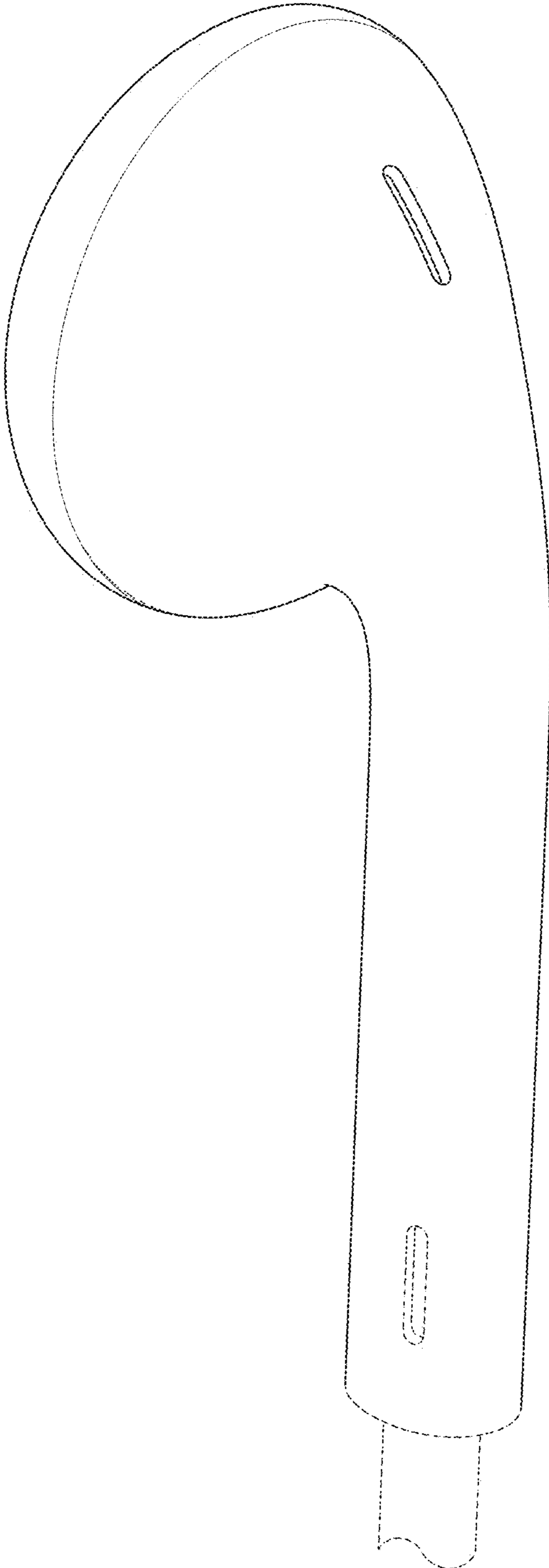


FIG. 2

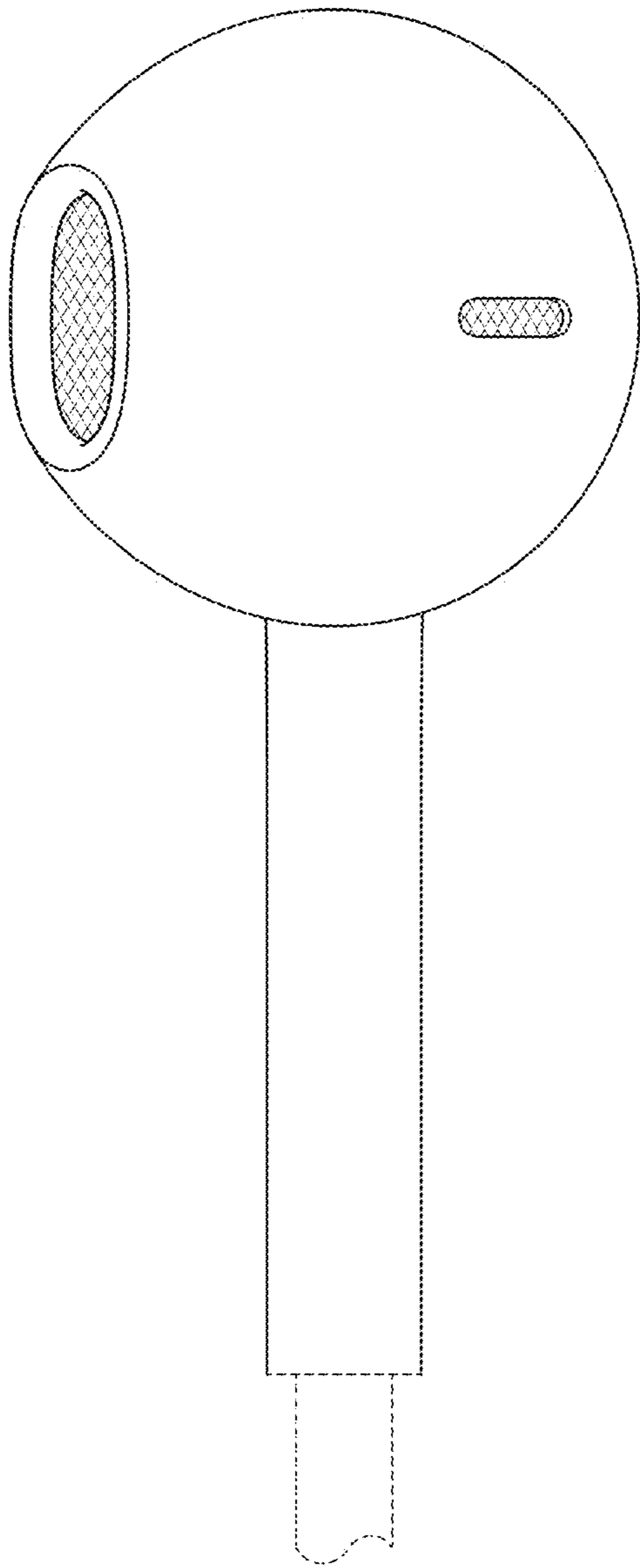


FIG. 3

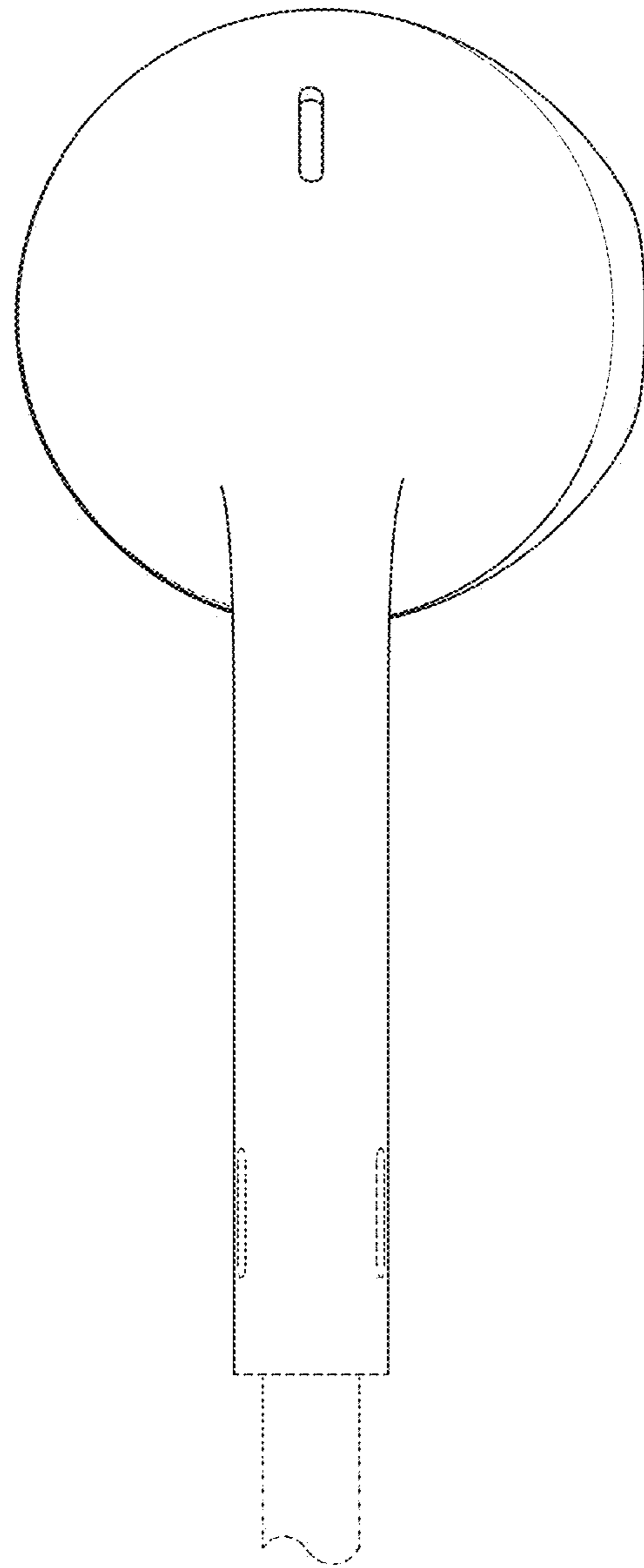


FIG. 4

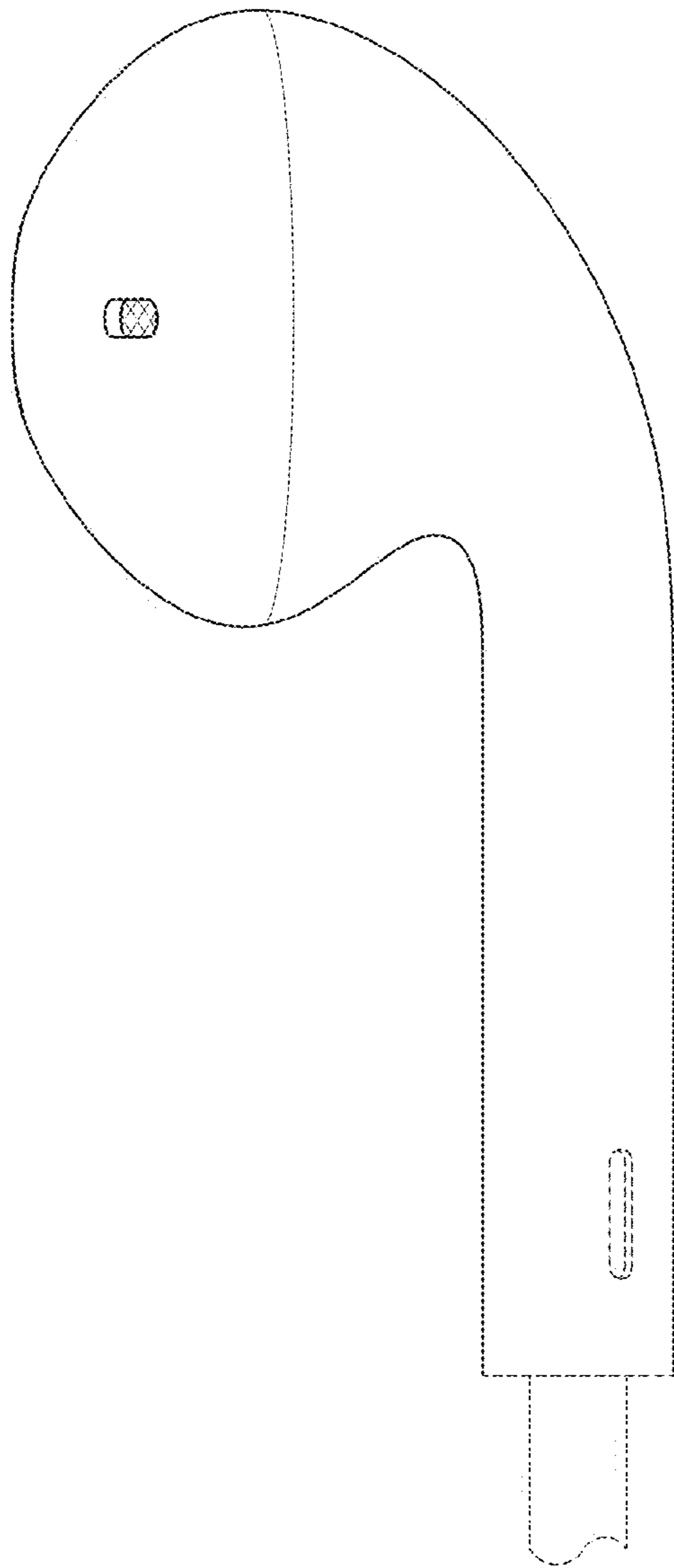


FIG. 5

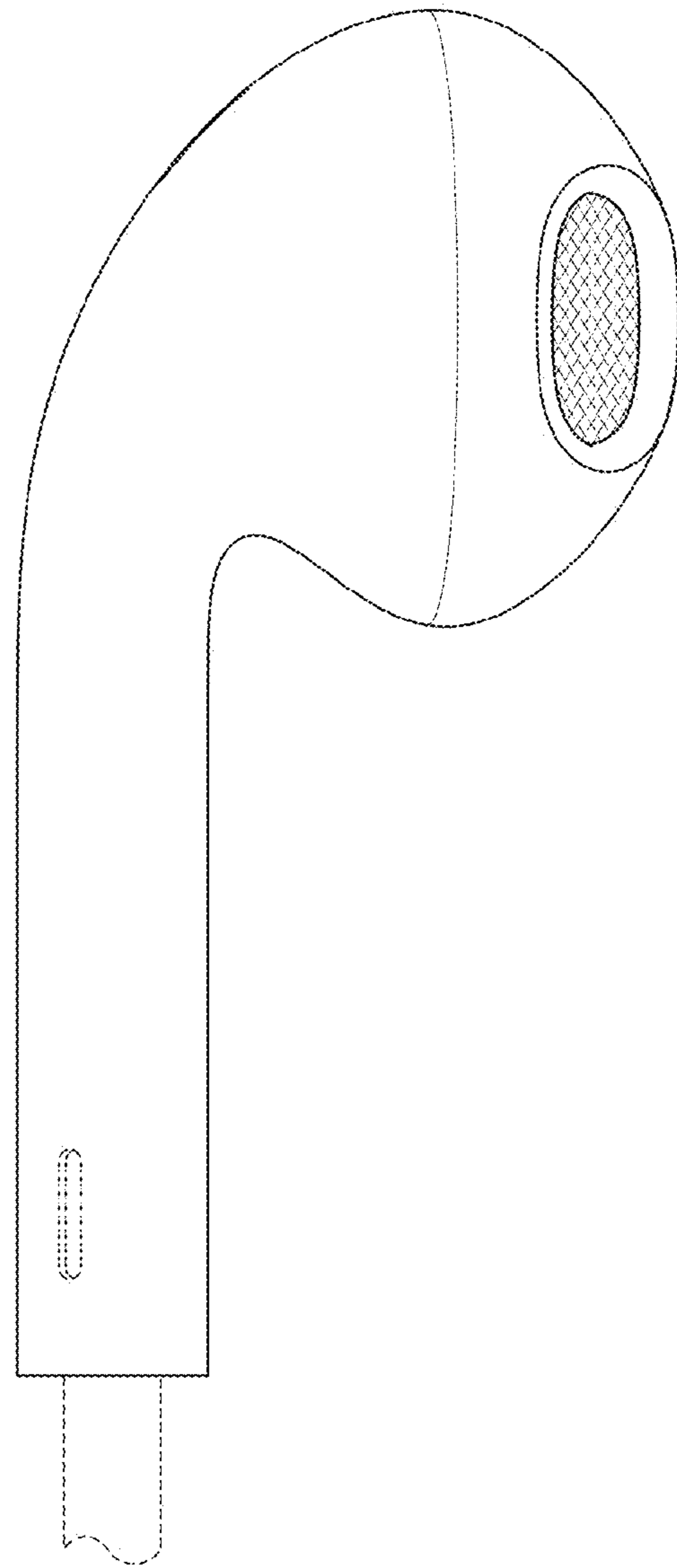


FIG. 6

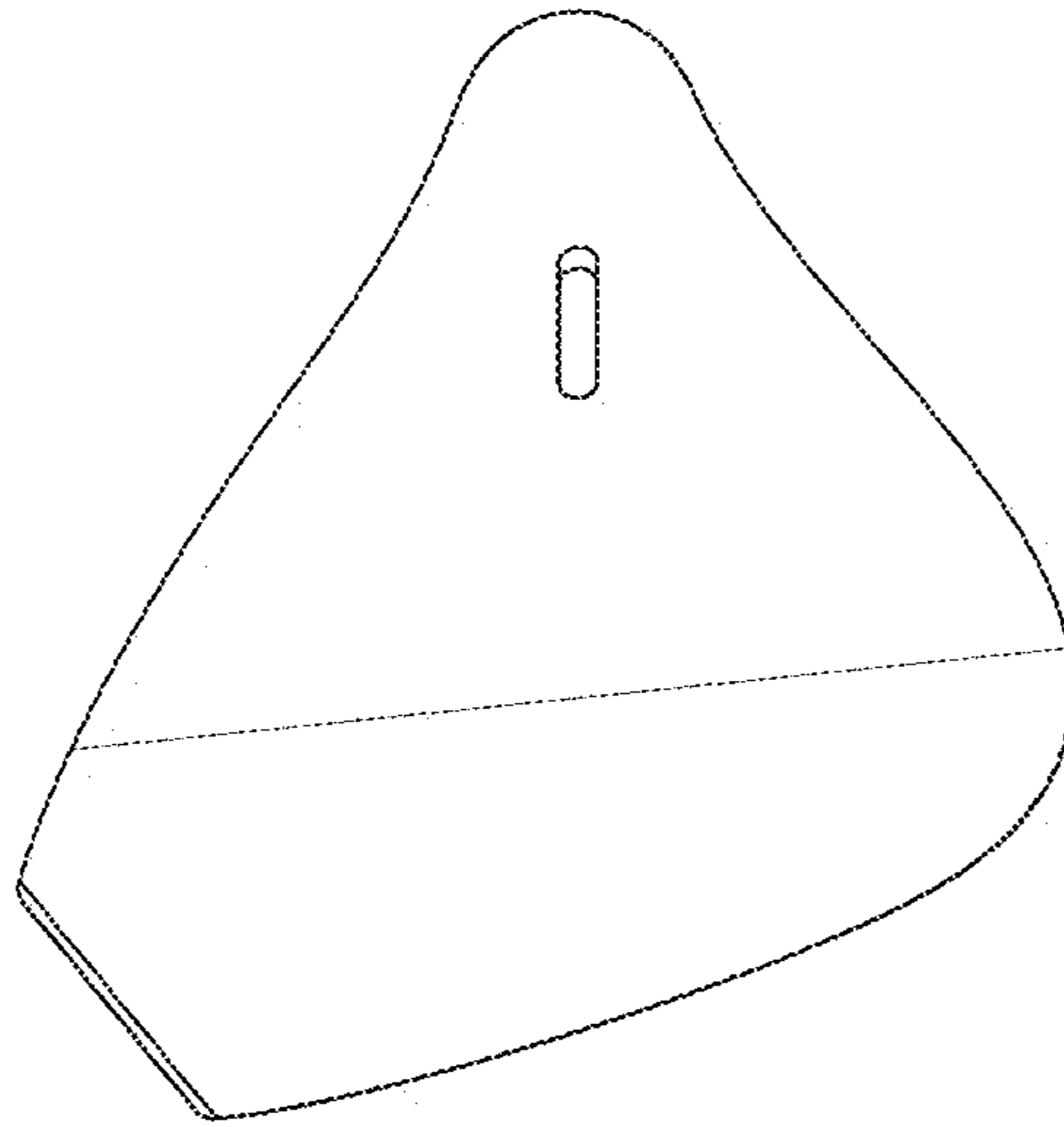


FIG. 7

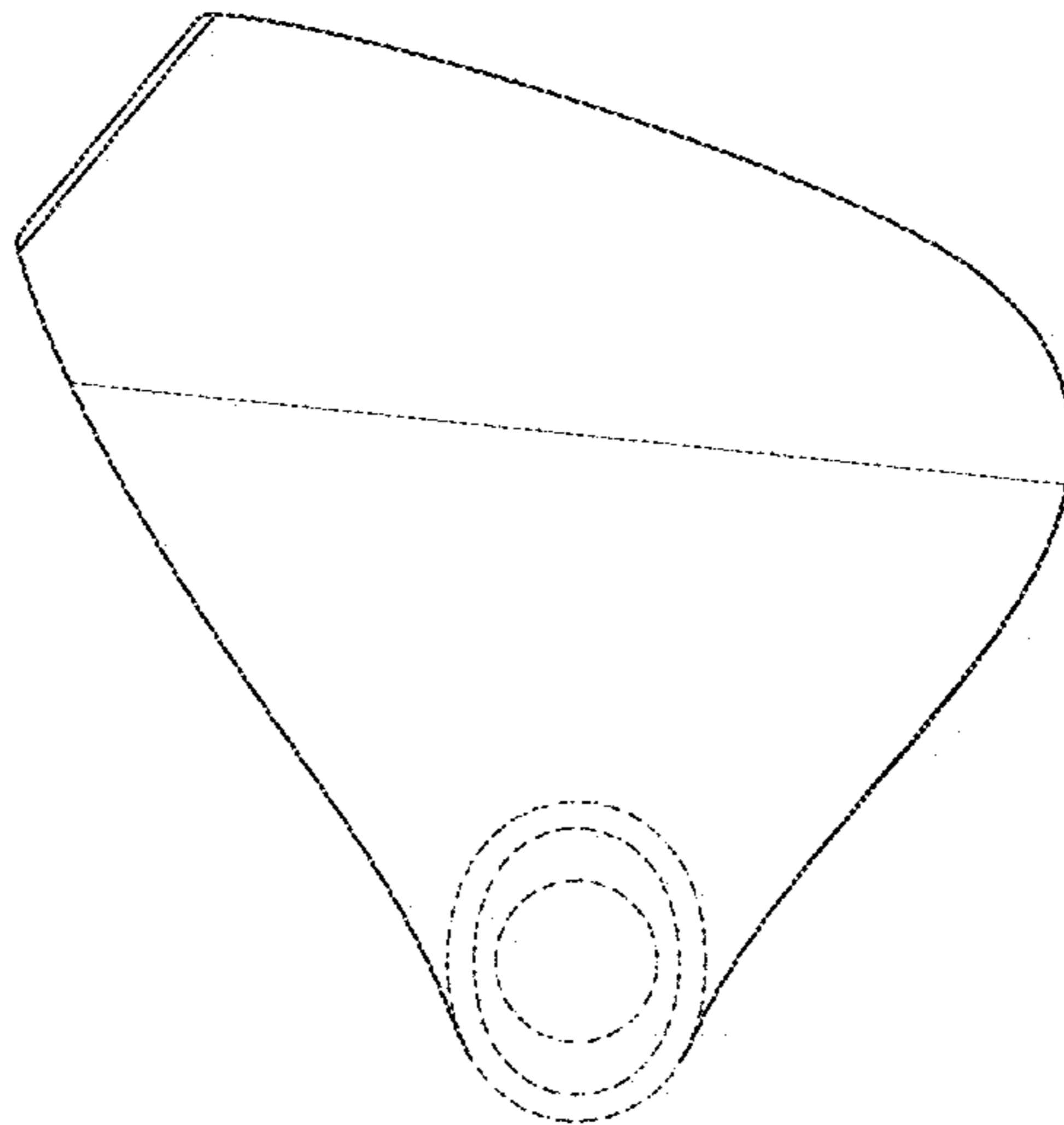


FIG. 8