



US00D929372S

(12) **United States Design Patent**  
**Zhong et al.**

(10) **Patent No.:** **US D929,372 S**  
(45) **Date of Patent:** **\*\* Aug. 31, 2021**

(54) **PAIR OF TRUE WIRELESS STEREO  
EARPHONES**

(71) Applicant: **SHENZHEN GRANDSUN  
ELECTRONIC CO., LTD.**, Shenzhen  
(CN)

(72) Inventors: **Weicheng Zhong**, Shenzhen (CN);  
**Haiquan Wu**, Shenzhen (CN);  
**Zhonghui Tang**, Shenzhen (CN);  
**Jiugao Peng**, Shenzhen (CN); **Ruiwen  
Shi**, Shenzhen (CN)

(73) Assignee: **SHENZHEN GRANDSUN  
ELECTRONIC CO., LTD.**, Shenzhen  
(CN)

(\*\*) Term: **15 Years**

(21) Appl. No.: **29/708,775**

(22) Filed: **Oct. 9, 2019**

(30) **Foreign Application Priority Data**

Apr. 9, 2019 (CN) ..... 201930157284.9

(51) **LOC (13) Cl.** ..... **14-01**

(52) **U.S. Cl.**  
USPC ..... **D14/223**

(58) **Field of Classification Search**  
USPC ..... D14/223; D24/174; 128/864, 865, 866;  
381/380, 381, 322, 328; 455/90.3, 575.1,  
455/569.1

(Continued)

(56) **References Cited**

**U.S. PATENT DOCUMENTS**

4,359,708 A \* 11/1982 Jarosz ..... H01H 85/10  
337/159

D304,944 S \* 12/1989 Behringer ..... D14/188

(Continued)

**FOREIGN PATENT DOCUMENTS**

CN 306297372 \* 1/2021  
EM 007001615-0001 \* 4/2019  
EM 008150452-0001 \* 8/2020

*Primary Examiner* — Paula Allen Greene

(74) *Attorney, Agent, or Firm* — Robert L. Stearns;  
Dickinson Wright, PLLC

(57) **CLAIM**

The ornamental design for “pair of true wireless stereo earphones”, as shown and described.

**DESCRIPTION**

FIG. 1 is a first perspective view of a pair of true wireless stereo earphones according to a first embodiment of the present application;

FIG. 2 is a second perspective view of the pair of true wireless stereo earphones according to the first embodiment of the present application;

FIG. 3 is a front view of the pair of true wireless stereo earphones according to the first embodiment of the present application;

FIG. 4 is a rear view of the pair of true wireless stereo earphones according to the first embodiment of the present application;

FIG. 5 is a left view of the pair of true wireless stereo earphones according to the first embodiment of the present application;

FIG. 6 is a right view of the pair of true wireless stereo earphones according to the first embodiment of the present application;

FIG. 7 is a top view of the pair of true wireless stereo earphones according to the first embodiment of the present application;

FIG. 8 is a bottom view of the pair of true wireless stereo earphones according to the first embodiment of the present application;

FIG. 9 is a first perspective view of a pair of true wireless stereo earphones according to a second embodiment of the present application;

(Continued)

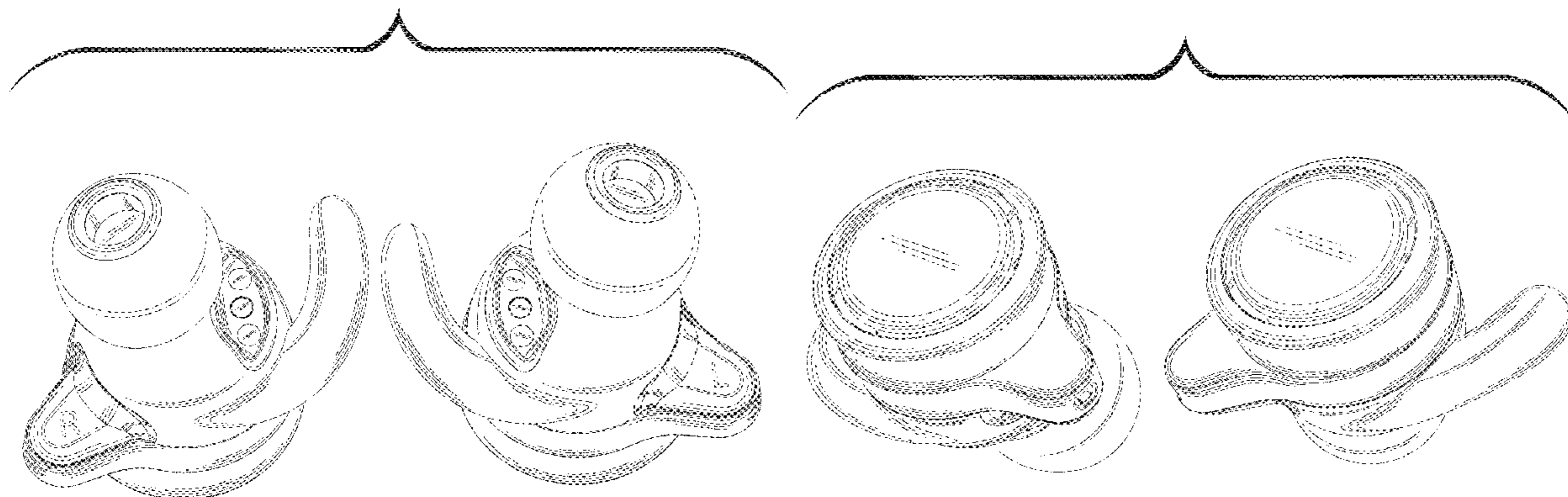


FIG. 10 is a second perspective view of the pair of true wireless stereo earphones according to the second embodiment of the present application;  
 FIG. 11 is a front view of the pair of true wireless stereo earphones according to the second embodiment of the present application;  
 FIG. 12 is a rear view of the pair of true wireless stereo earphones according to the second embodiment of the present application;  
 FIG. 13 is a left view of the pair of true wireless stereo earphones according to the second embodiment of the present application;  
 FIG. 14 is a right view of the pair of true wireless stereo earphones according to the second embodiment of the present application;  
 FIG. 15 is a top view of the pair of true wireless stereo earphones according to the second embodiment of the present application;  
 FIG. 16 is a bottom view of the pair of true wireless stereo earphones according to the second embodiment of the present application;  
 FIG. 17 is a first perspective view of a pair of true wireless stereo earphones according to a third embodiment of the present application.  
 FIG. 18 is a second perspective view of the pair of true wireless stereo earphones according to the third embodiment of the present application;  
 FIG. 19 is a front view of the pair of true wireless stereo earphones according to the third embodiment of the present application;  
 FIG. 20 is a rear view of the pair of true wireless stereo earphones according to the third embodiment of the present application;  
 FIG. 21 is a left view of the pair of true wireless stereo earphones according to the third embodiment of the present application;  
 FIG. 22 is a right view of the pair of true wireless stereo earphones according to the third embodiment of the present application;  
 FIG. 23 is a top view of the pair of true wireless stereo earphones according to the third embodiment of the present application; and,  
 FIG. 24 is a bottom view of the pair of true wireless stereo earphones according to the third embodiment of the present application.  
 The broken lines in the figures depict portions of the pair of true wireless stereo earphone set that form no part of the claimed design.

**1 Claim, 24 Drawing Sheets**

**(58) Field of Classification Search**

CPC ..... H04R 1/10; H04R 25/00; H04R 25/02;  
 H04R 1/1066; H04R 1/1016; H04R  
 1/1091; H04R 1/105; H04R 1/1083  
 See application file for complete search history.

**(56) References Cited**

U.S. PATENT DOCUMENTS

D321,881 S \* 11/1991 Hopewell ..... D14/192  
 D350,961 S \* 9/1994 Nakamura ..... D14/205

D443,261 S \* 6/2001 Yuyama ..... D14/223  
 D452,857 S \* 1/2002 Hong ..... D14/206  
 D464,638 S \* 10/2002 Huang ..... D14/205  
 D469,755 S \* 2/2003 Hlas ..... D14/223  
 D470,122 S \* 2/2003 Hlas ..... D14/205  
 D470,123 S \* 2/2003 Hlas ..... D14/205  
 6,772,853 B2 \* 8/2004 Yang ..... H04R 1/1066  
 181/129  
 6,830,124 B2 \* 12/2004 Chiang ..... A61F 11/08  
 128/864  
 D529,901 S \* 10/2006 Ohta ..... D14/223  
 D543,972 S \* 6/2007 Taylor ..... D14/223  
 D559,837 S \* 1/2008 Nakano ..... D14/223  
 D574,814 S \* 8/2008 Hammond ..... D14/205  
 D579,006 S \* 10/2008 Kim ..... D14/223  
 D597,534 S \* 8/2009 Christopher ..... D14/223  
 D603,380 S \* 11/2009 Hutchieson ..... D14/223  
 D618,211 S \* 6/2010 Oguro ..... D14/205  
 D621,817 S \* 8/2010 Brickstad ..... D14/223  
 D635,558 S \* 4/2011 Zheng ..... D14/223  
 D652,817 S \* 1/2012 Lee ..... D14/205  
 D660,292 S \* 5/2012 Rautiainen ..... D14/223  
 D666,581 S \* 9/2012 Perez ..... D14/223  
 D681,602 S \* 5/2013 Koch ..... D14/205  
 D697,058 S \* 1/2014 Thompson ..... D14/223  
 D699,215 S \* 2/2014 Koch ..... D14/205  
 D705,757 S \* 5/2014 Yashiro ..... H04R 1/10  
 D14/223  
 D711,356 S \* 8/2014 Yang ..... D14/223  
 8,983,108 B2 \* 3/2015 Ho ..... H04R 1/1016  
 381/380  
 D729,775 S \* 5/2015 Seo ..... D14/223  
 D733,103 S \* 6/2015 Jeong ..... D14/224  
 D735,169 S \* 7/2015 Shieh ..... D14/223  
 D746,792 S \* 1/2016 Kim ..... D14/205  
 D761,770 S \* 7/2016 Kanou ..... D14/223  
 D764,445 S \* 8/2016 Czaniecki ..... D14/223  
 D773,439 S \* 12/2016 Walker ..... D14/223  
 D777,710 S \* 1/2017 Palmborg ..... D14/223  
 D788,079 S \* 5/2017 Son ..... D14/223  
 D789,909 S \* 6/2017 Hung ..... D14/223  
 D795,224 S \* 8/2017 Valenzuela ..... D14/223  
 D809,487 S \* 2/2018 Lee ..... D14/223  
 D822,646 S \* 7/2018 Dang ..... D14/223  
 D841,626 S \* 2/2019 Tang ..... D14/223  
 D843,354 S \* 3/2019 Kumano ..... D14/223  
 D845,932 S \* 4/2019 Lu ..... D14/223  
 D852,783 S \* 7/2019 Hueber ..... D14/223  
 D852,784 S \* 7/2019 Cramer ..... H04R 1/1008  
 D14/223  
 D864,919 S \* 10/2019 Bonahoom ..... D14/223  
 D871,376 S \* 12/2019 Zhou ..... D14/223  
 D872,064 S \* 1/2020 Cai ..... D14/223  
 D873,248 S \* 1/2020 Weicheng ..... D14/223  
 D873,805 S \* 1/2020 Yang ..... D14/223  
 D885,372 S \* 5/2020 Wang ..... D14/223  
 D892,085 S \* 8/2020 Kim ..... D14/223  
 D896,205 S \* 9/2020 Zhang ..... D14/223  
 D902,182 S \* 11/2020 Wang ..... D14/223  
 10,827,249 B1 \* 11/2020 Pine ..... H04R 1/1016  
 D904,349 S \* 12/2020 Saxton ..... D14/223  
 D905,664 S \* 12/2020 He ..... D14/223  
 2011/0142276 A1 \* 6/2011 Uchida ..... H04R 1/1075  
 381/370  
 2014/0064548 A1 \* 3/2014 Chu ..... H04R 1/1091  
 381/380  
 2014/0176699 A1 \* 6/2014 Wang ..... H04N 5/23238  
 348/118  
 2014/0205125 A1 \* 7/2014 Triato ..... H04R 1/105  
 381/330

\* cited by examiner

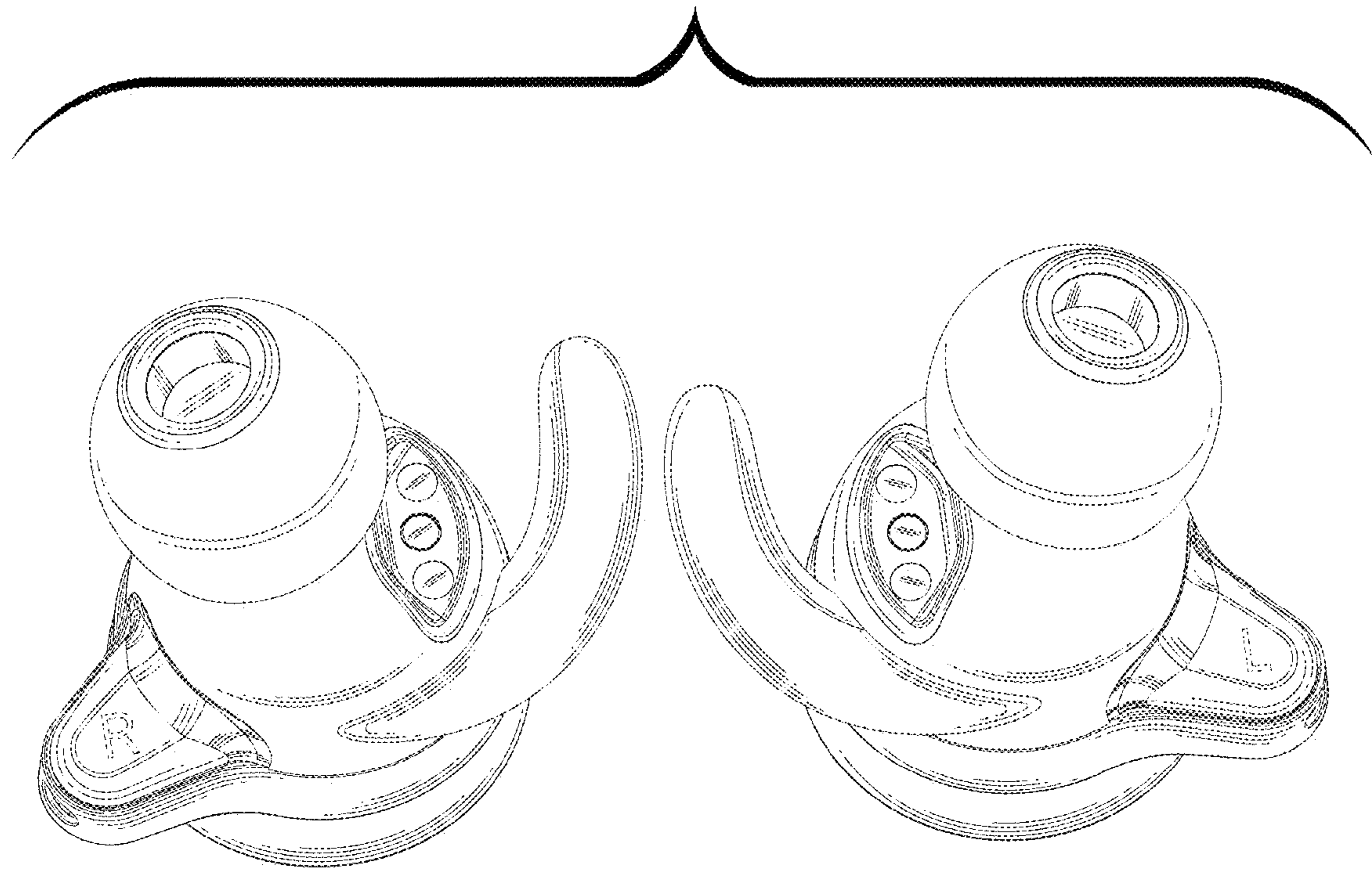


FIG. 1

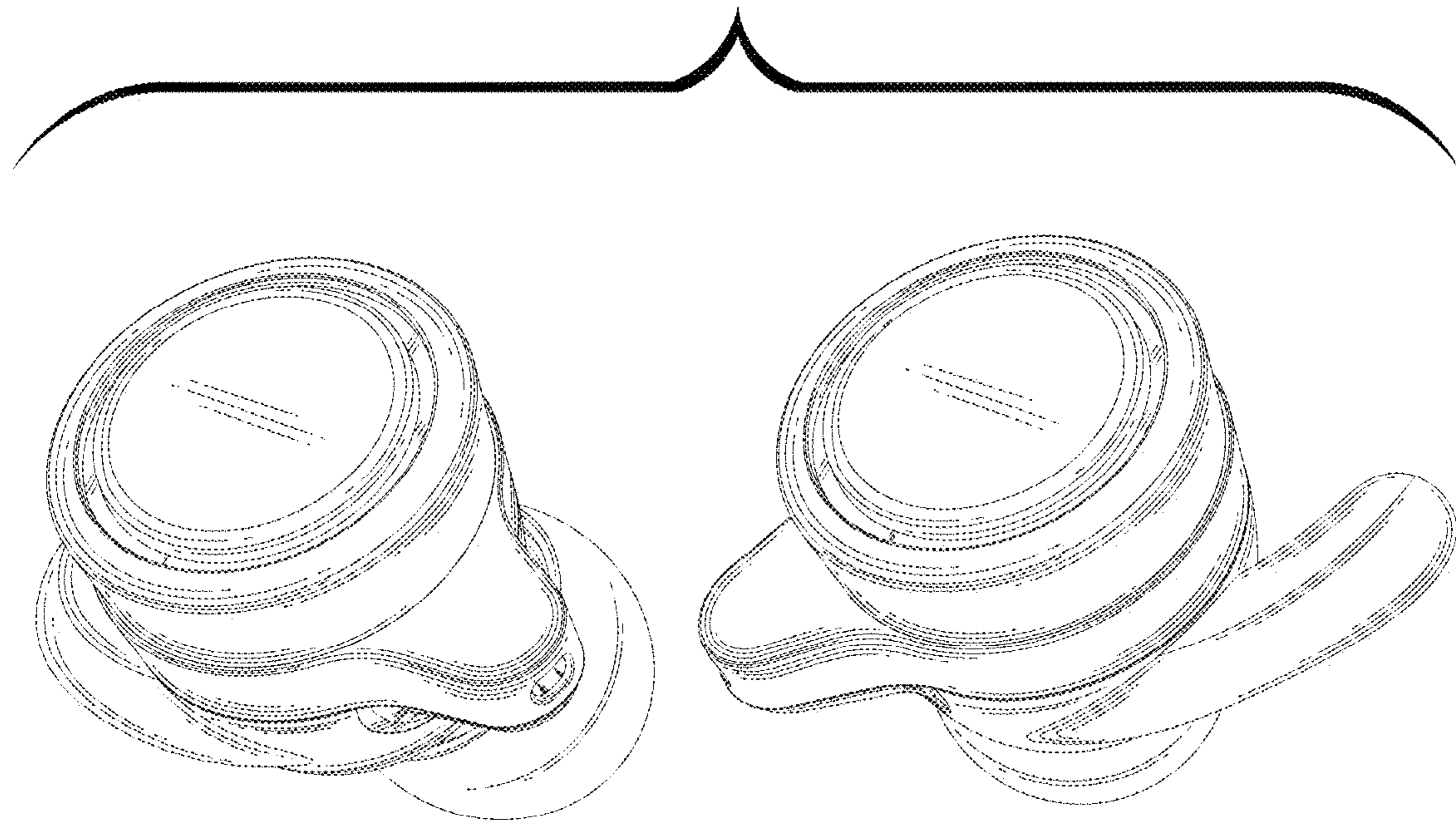


FIG. 2

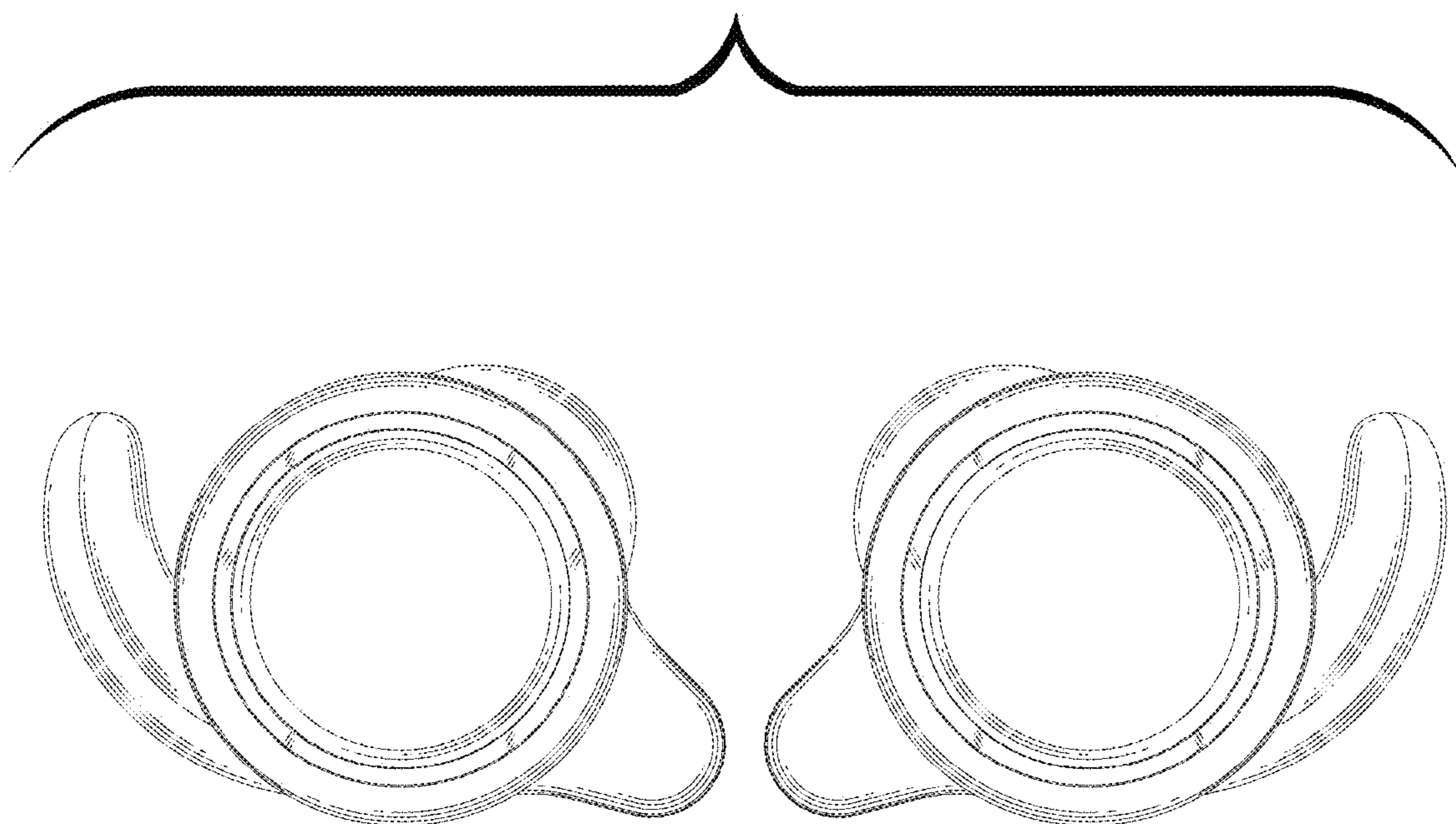


FIG. 3

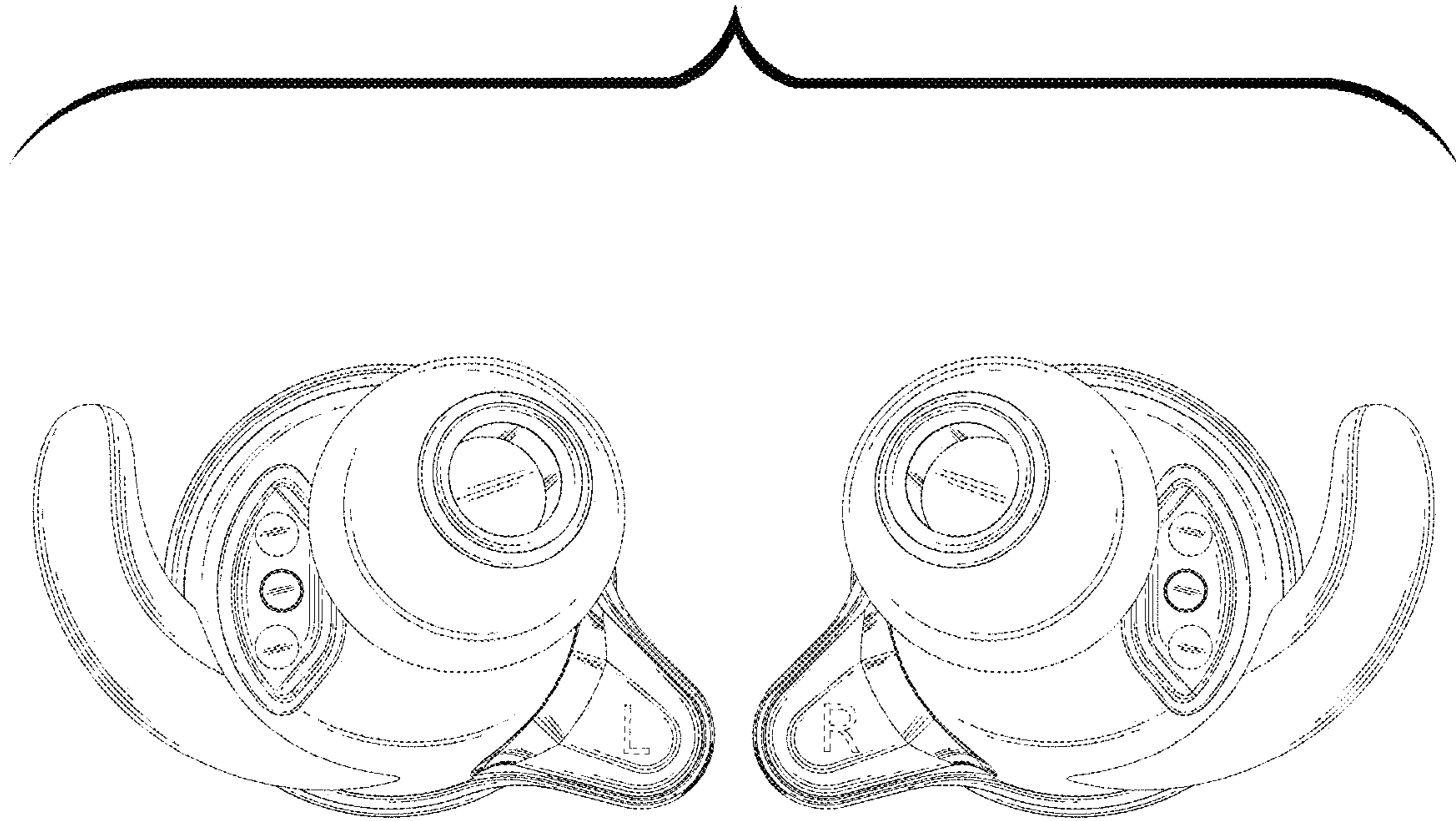


FIG. 4

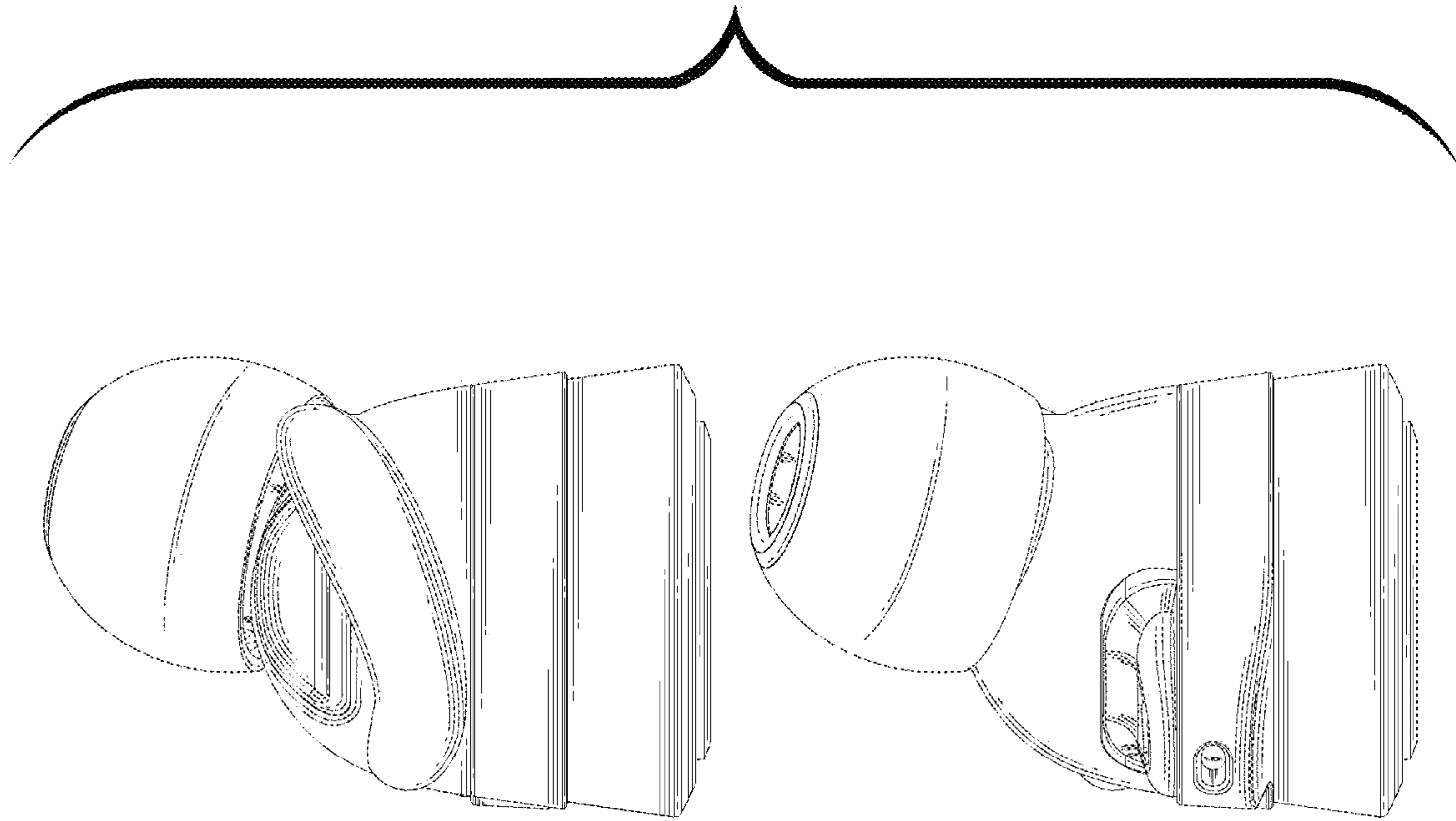


FIG. 5

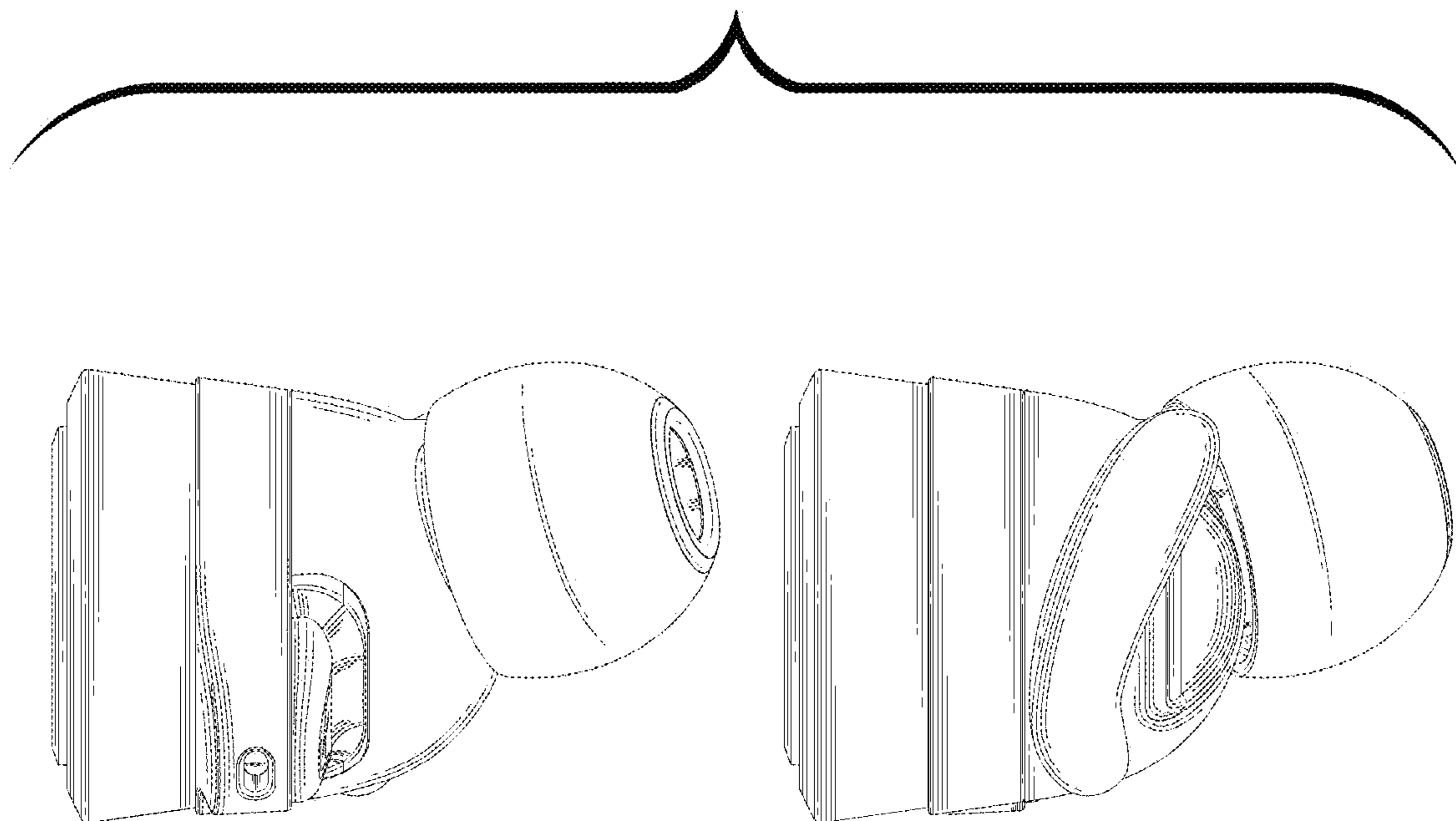


FIG. 6



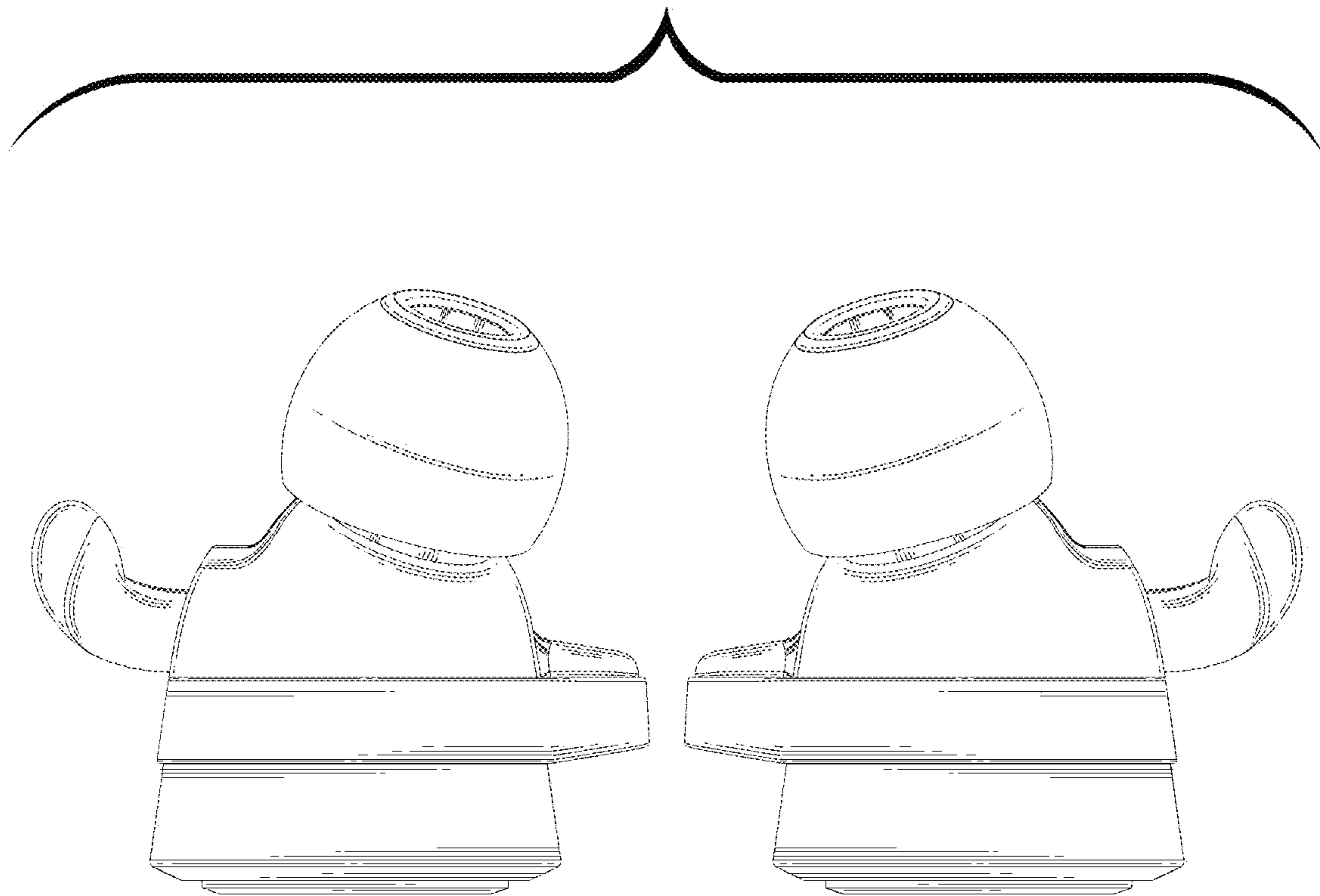


FIG. 7

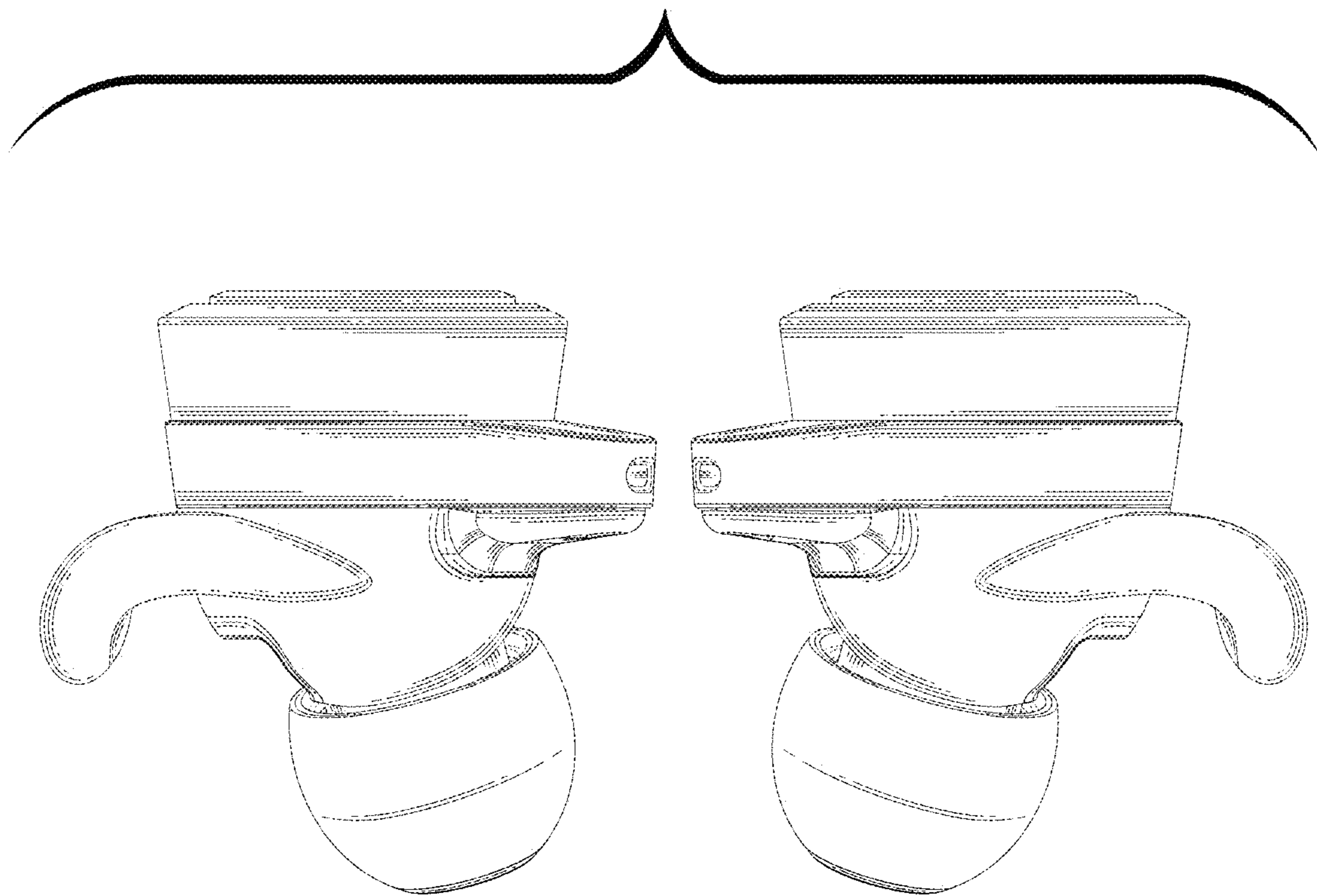


FIG. 8

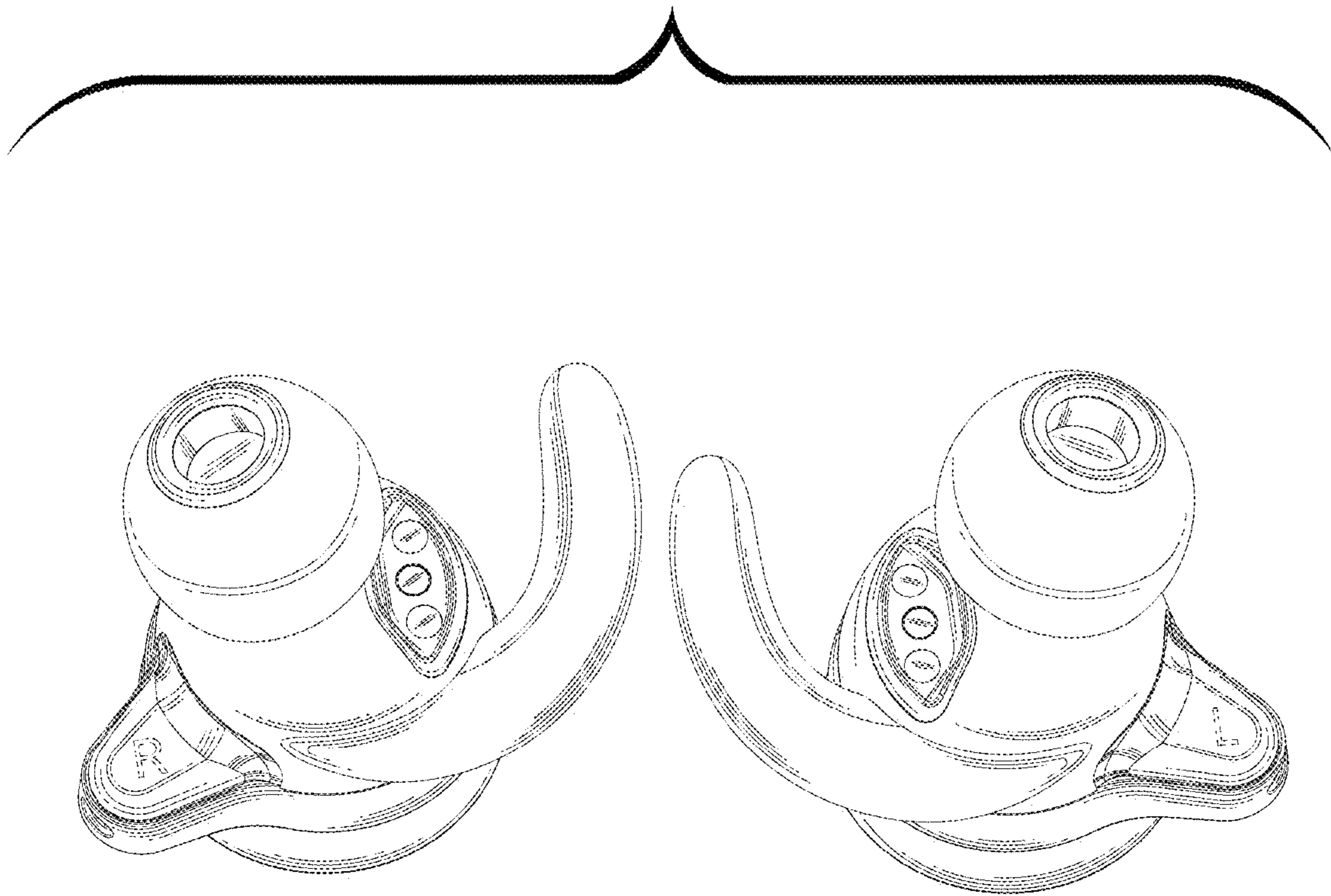


FIG. 9

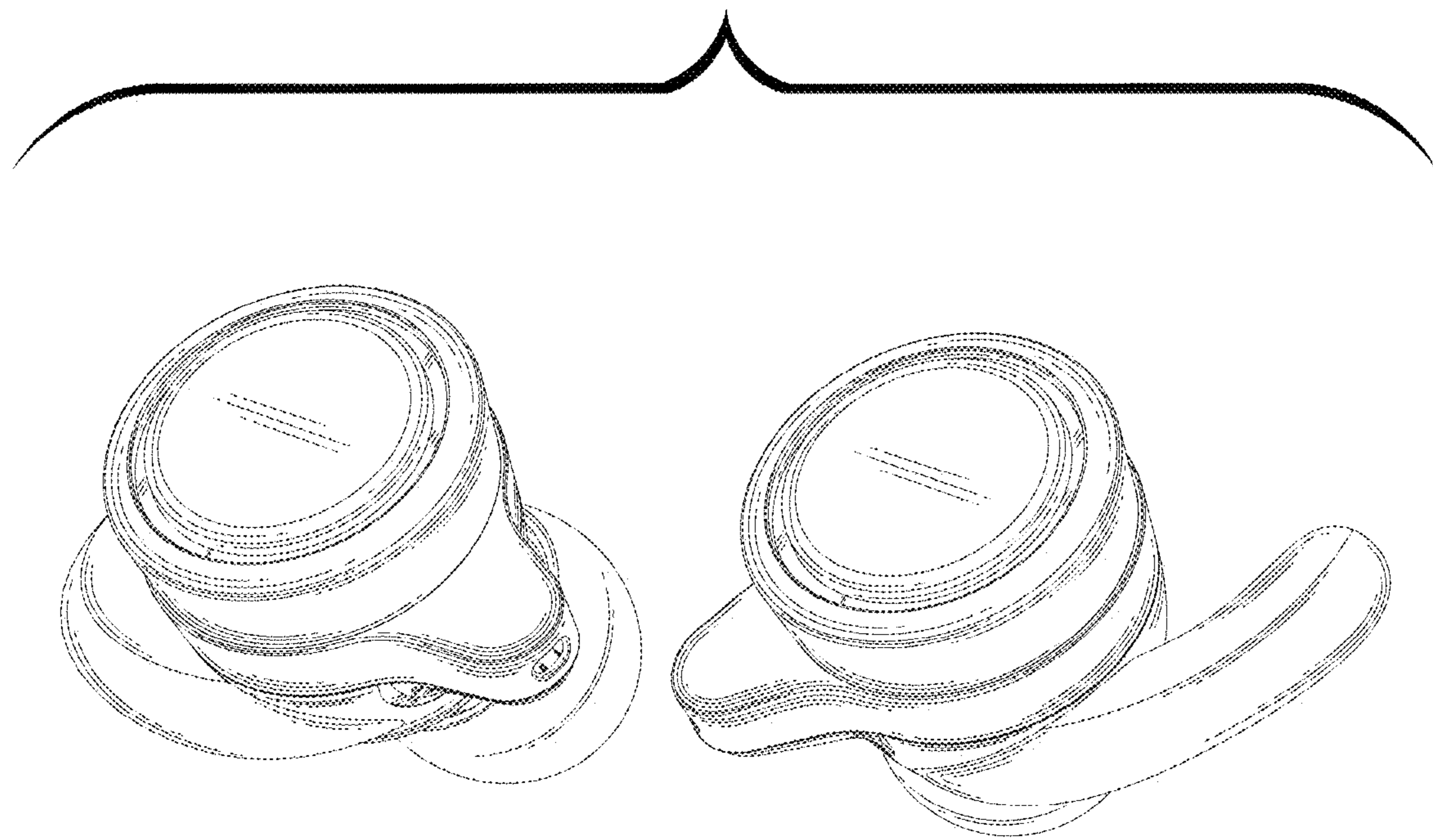


FIG. 10

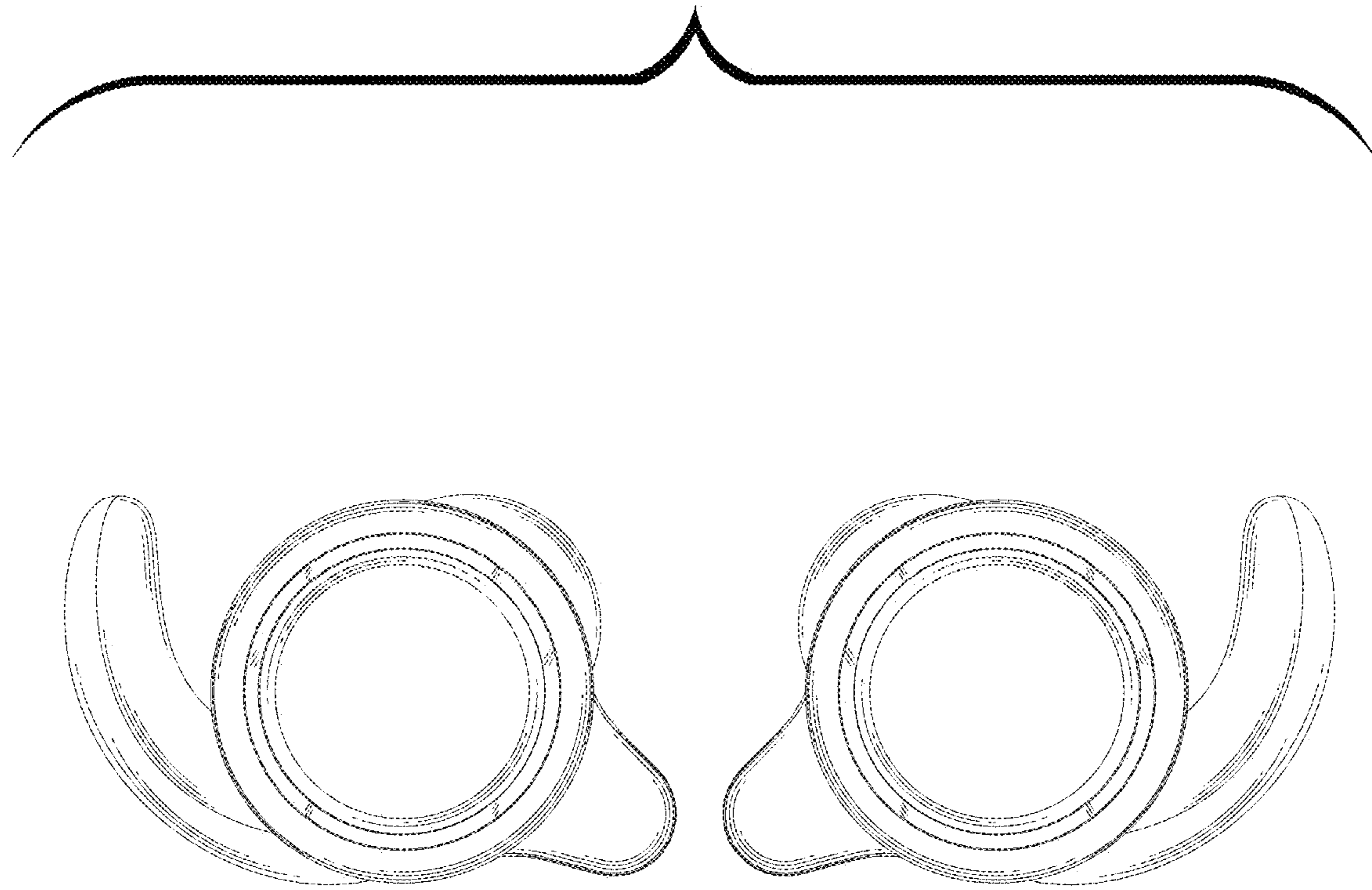


FIG. 11

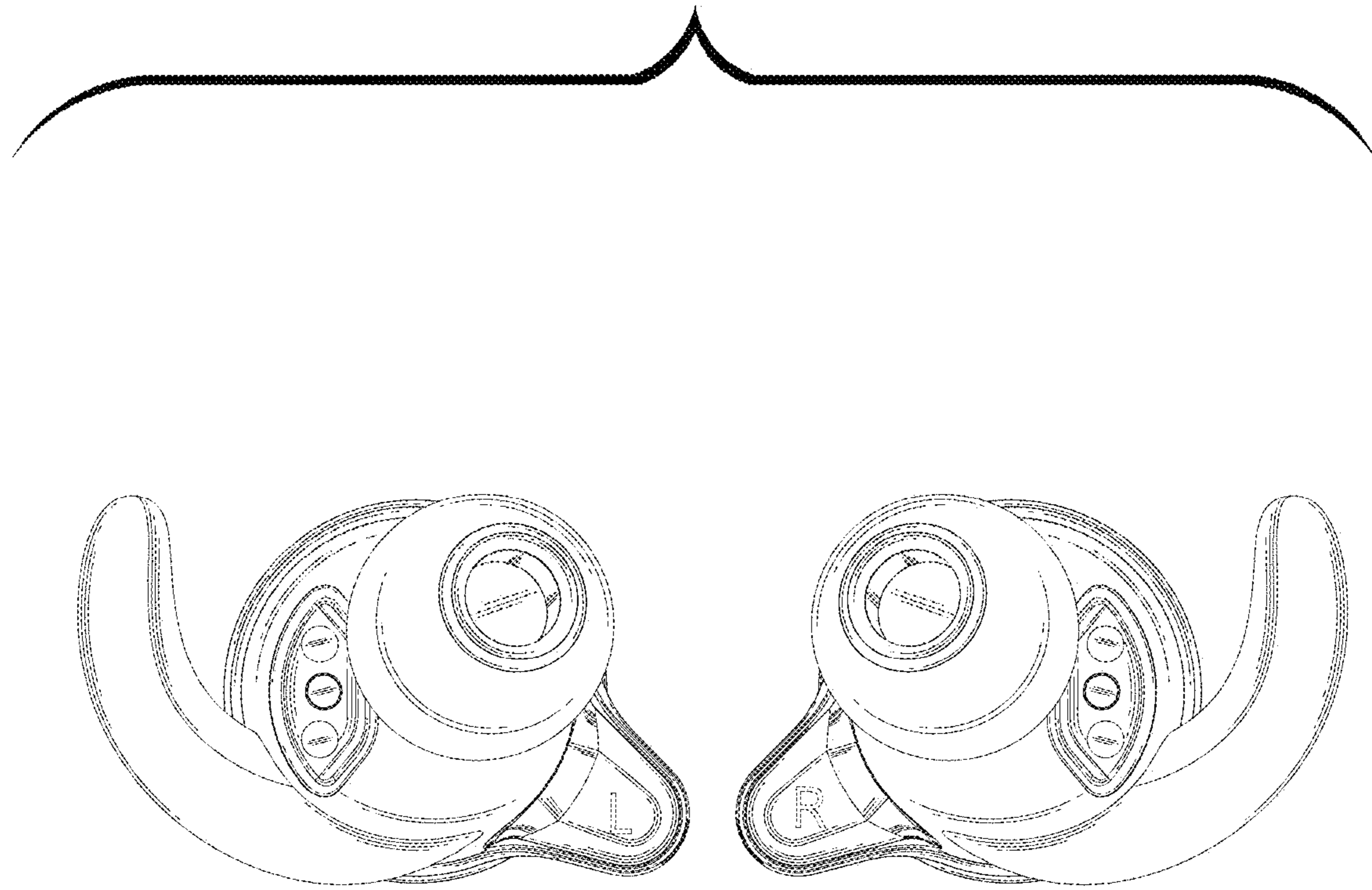


FIG. 12

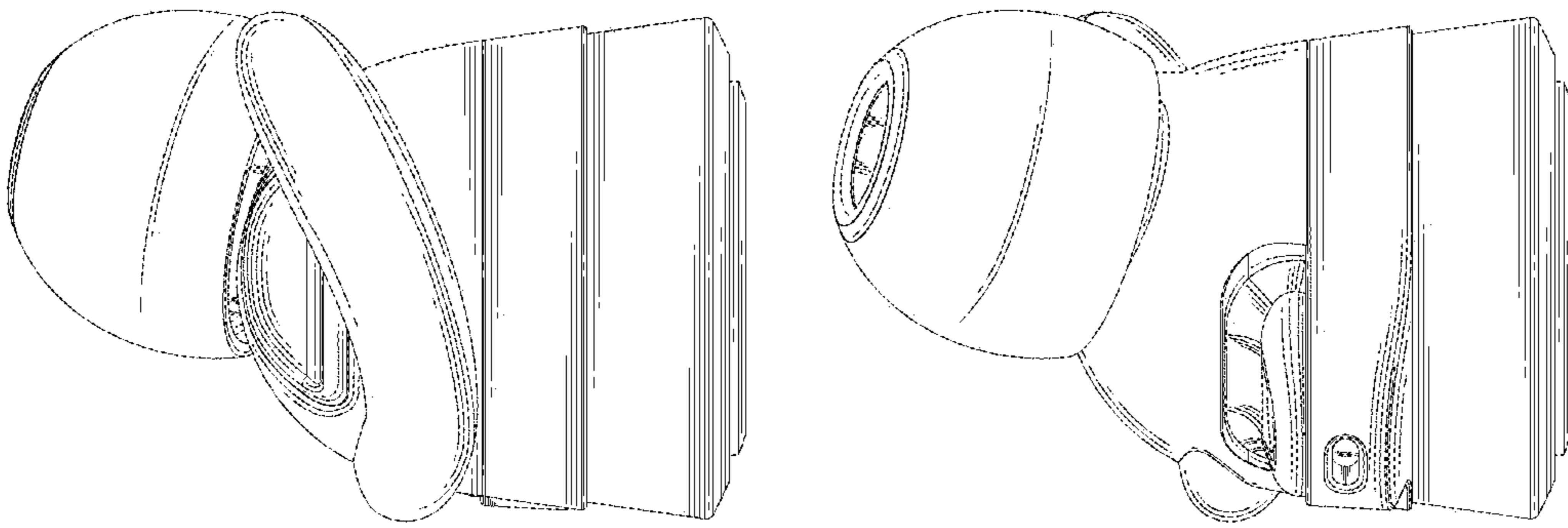


FIG. 13

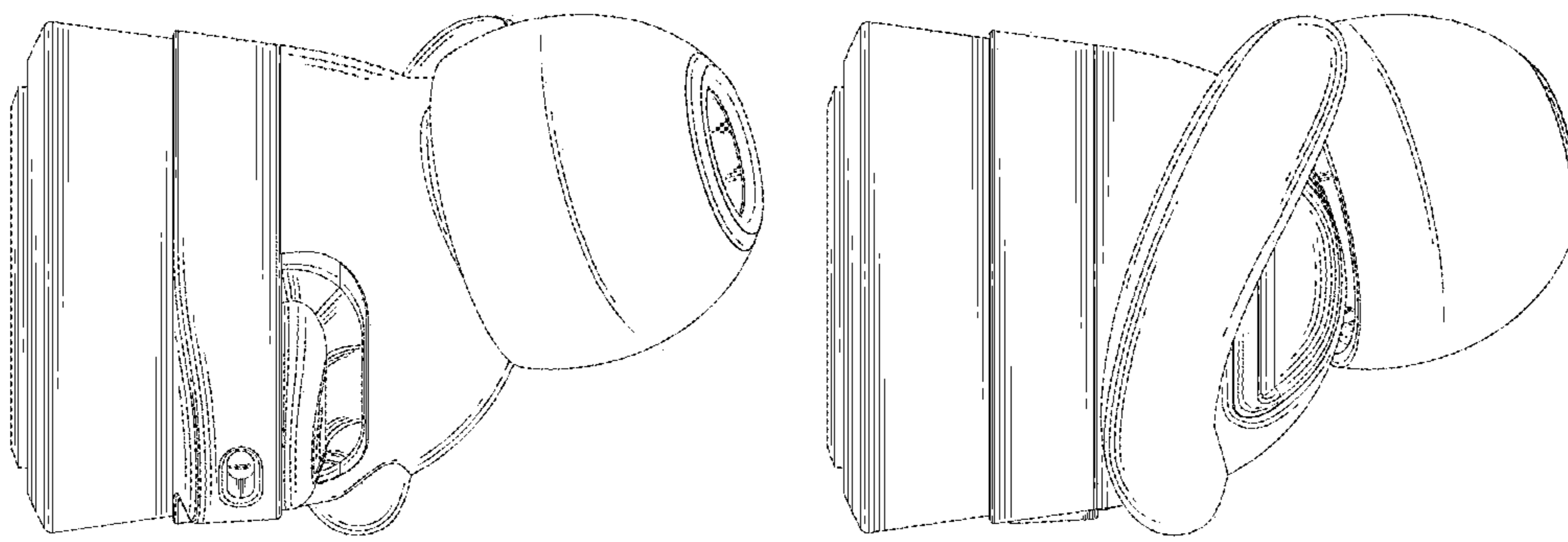
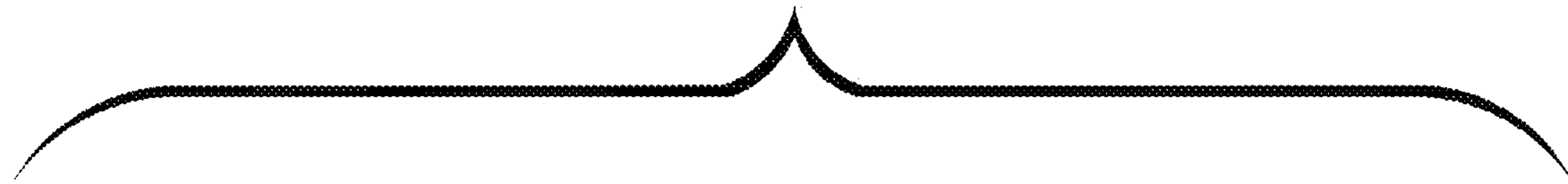


FIG. 14



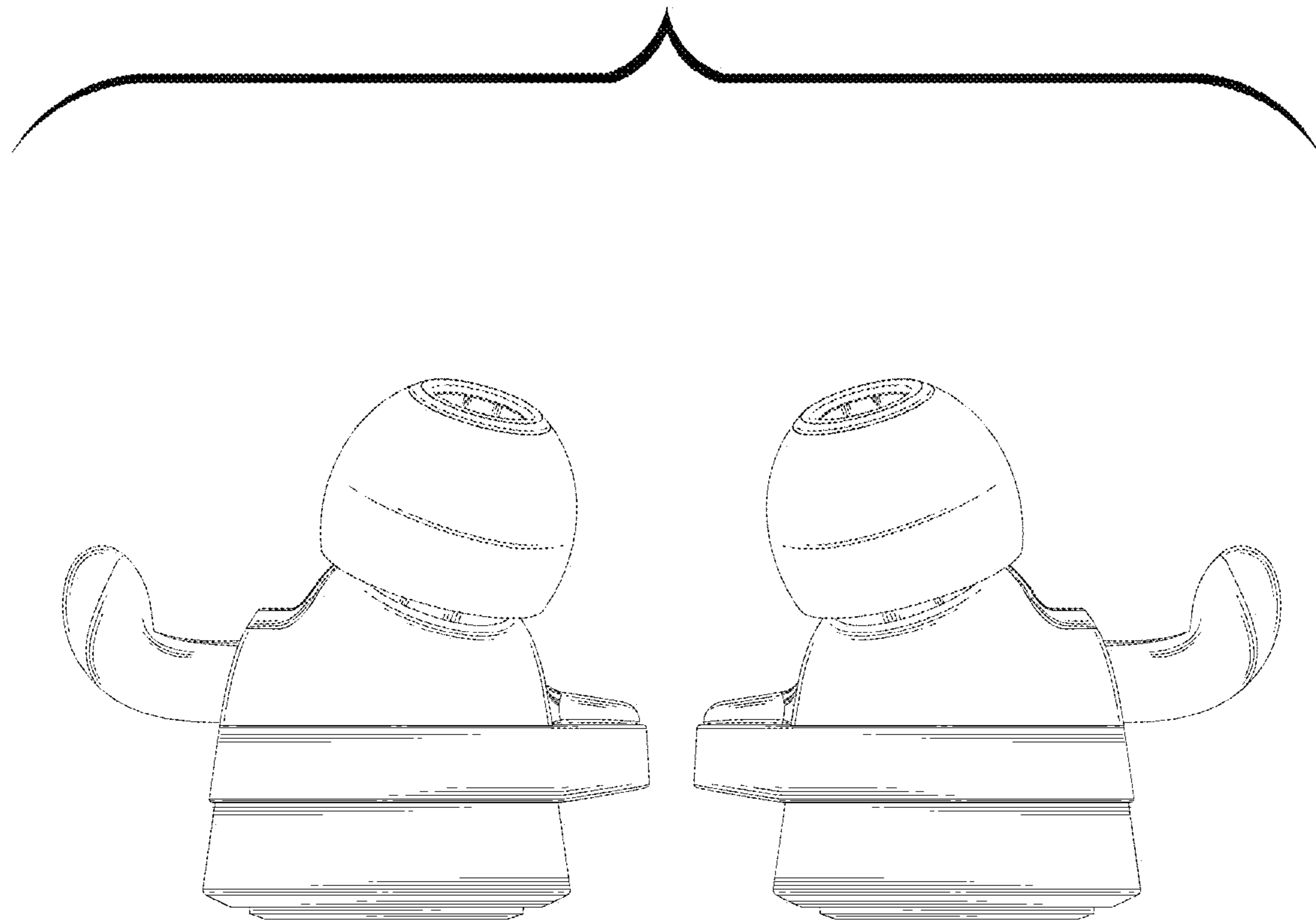


FIG. 15

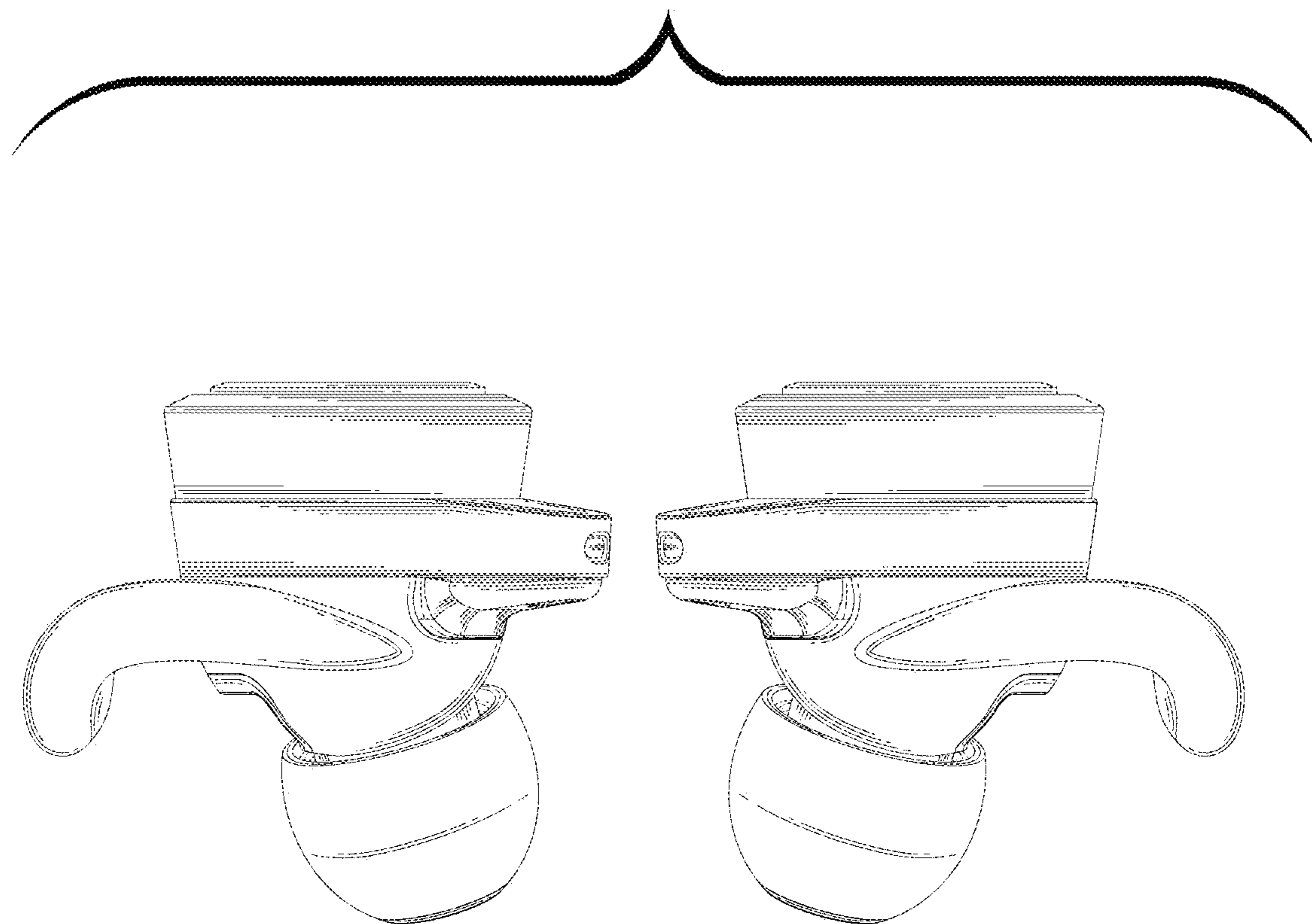


FIG. 16

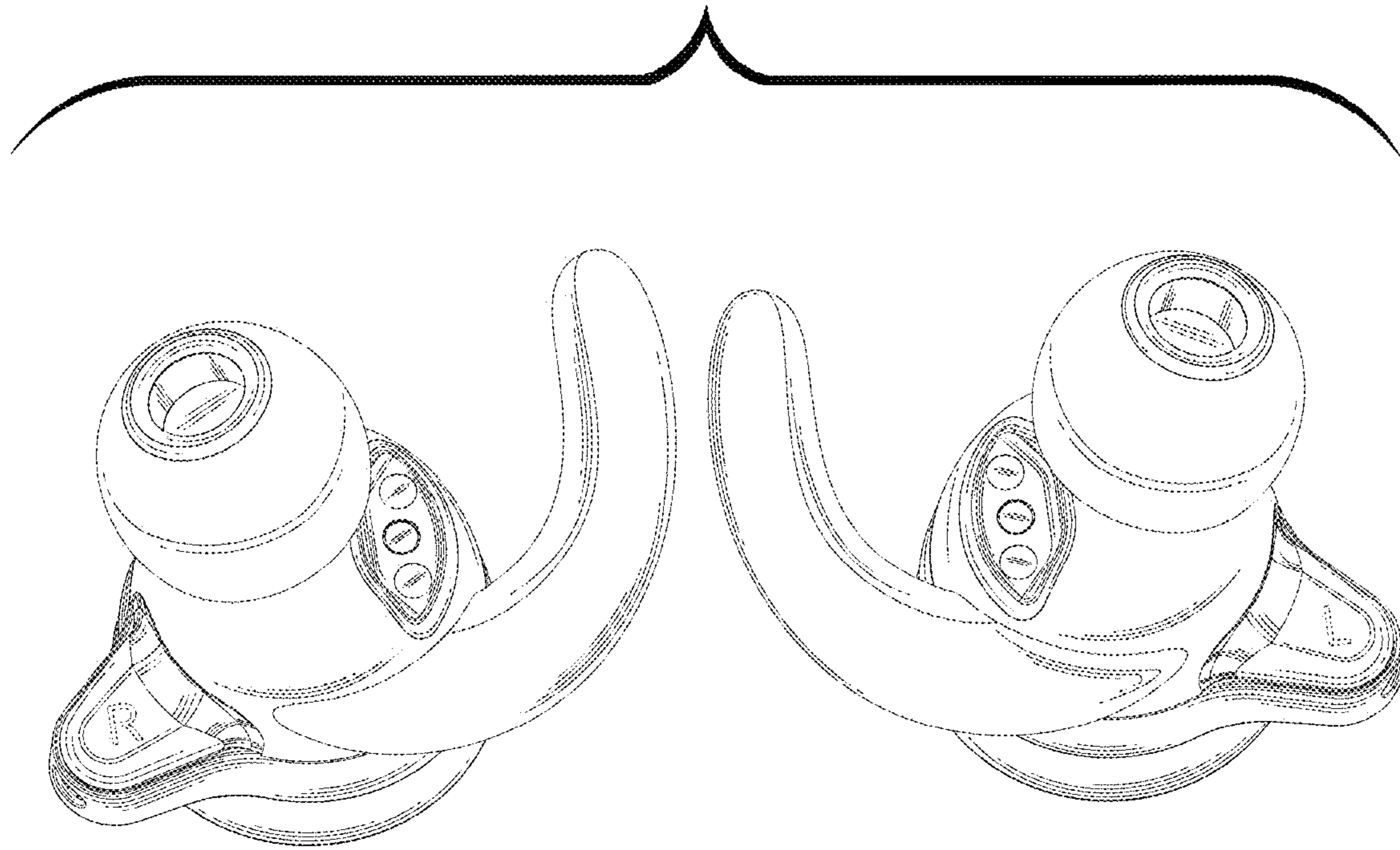


FIG. 17

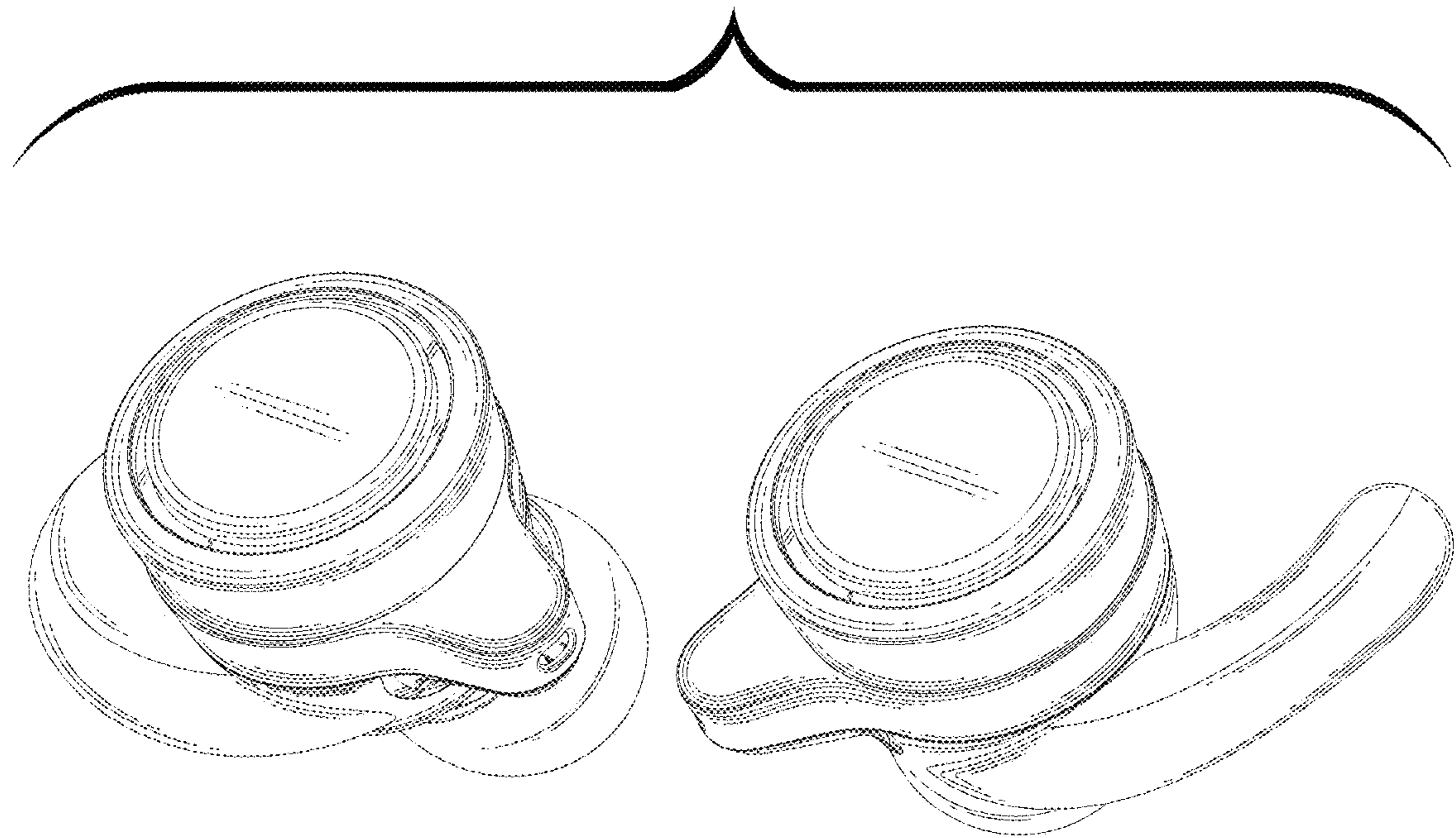


FIG. 18

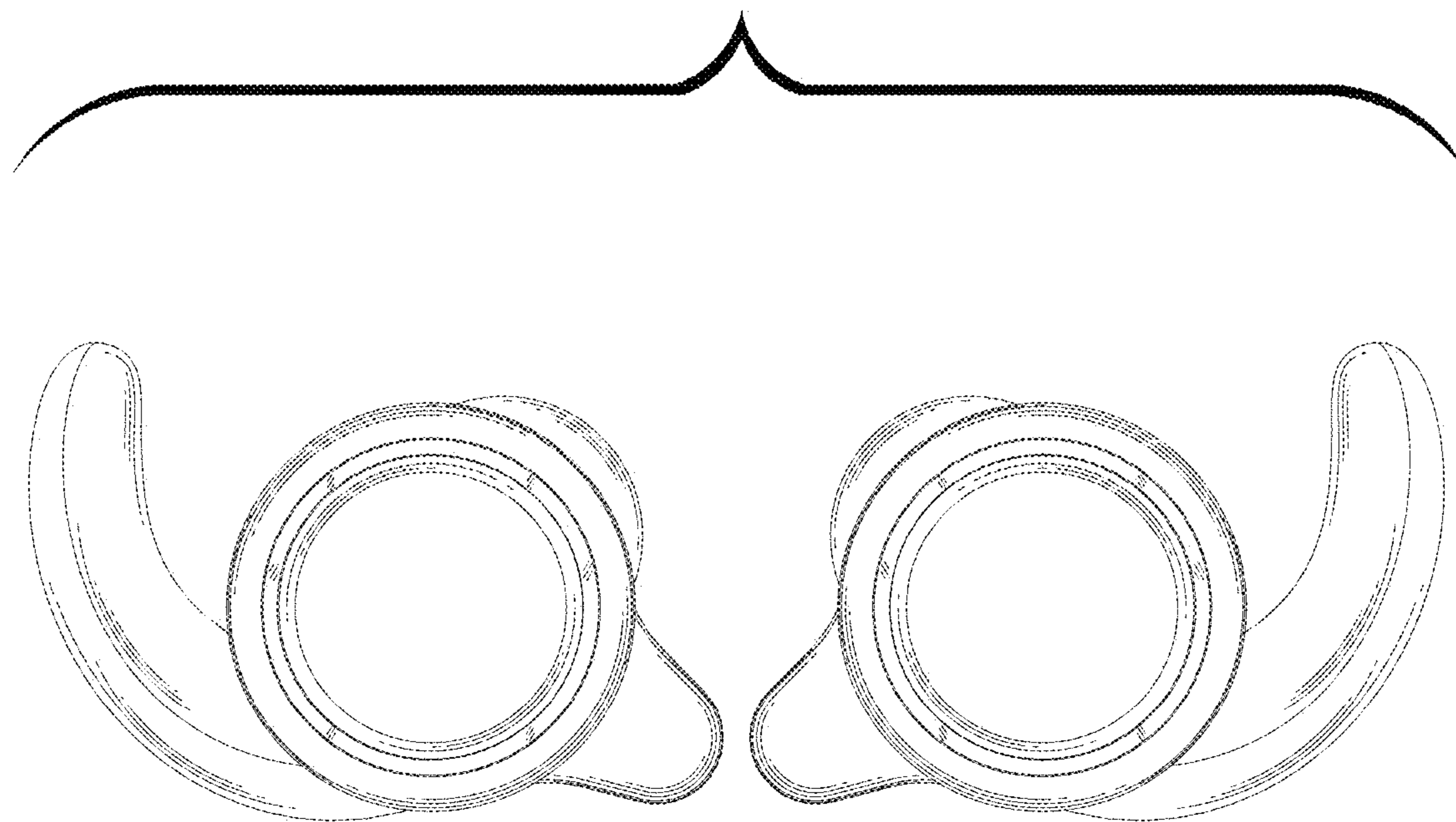


FIG. 19

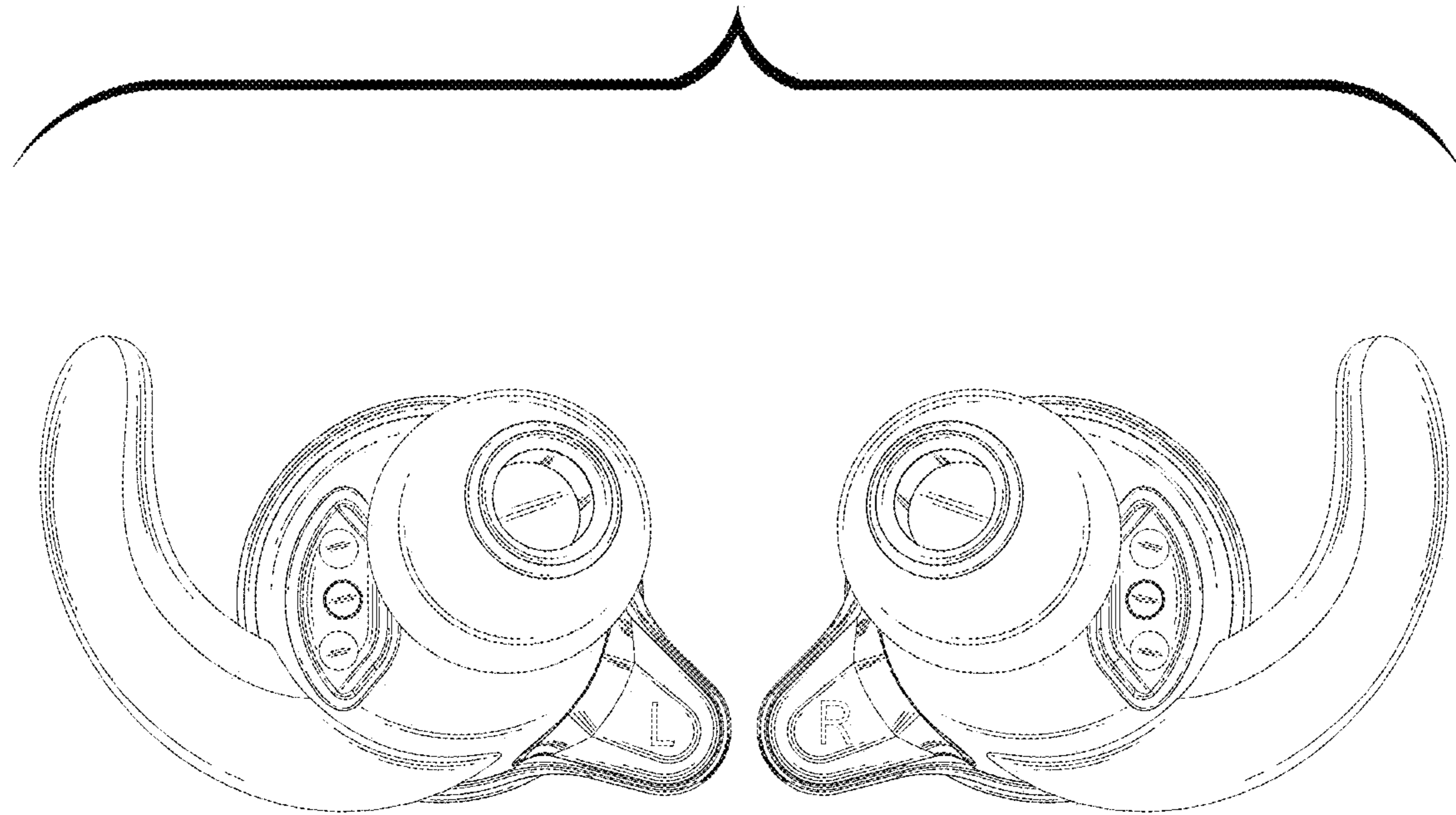


FIG. 20

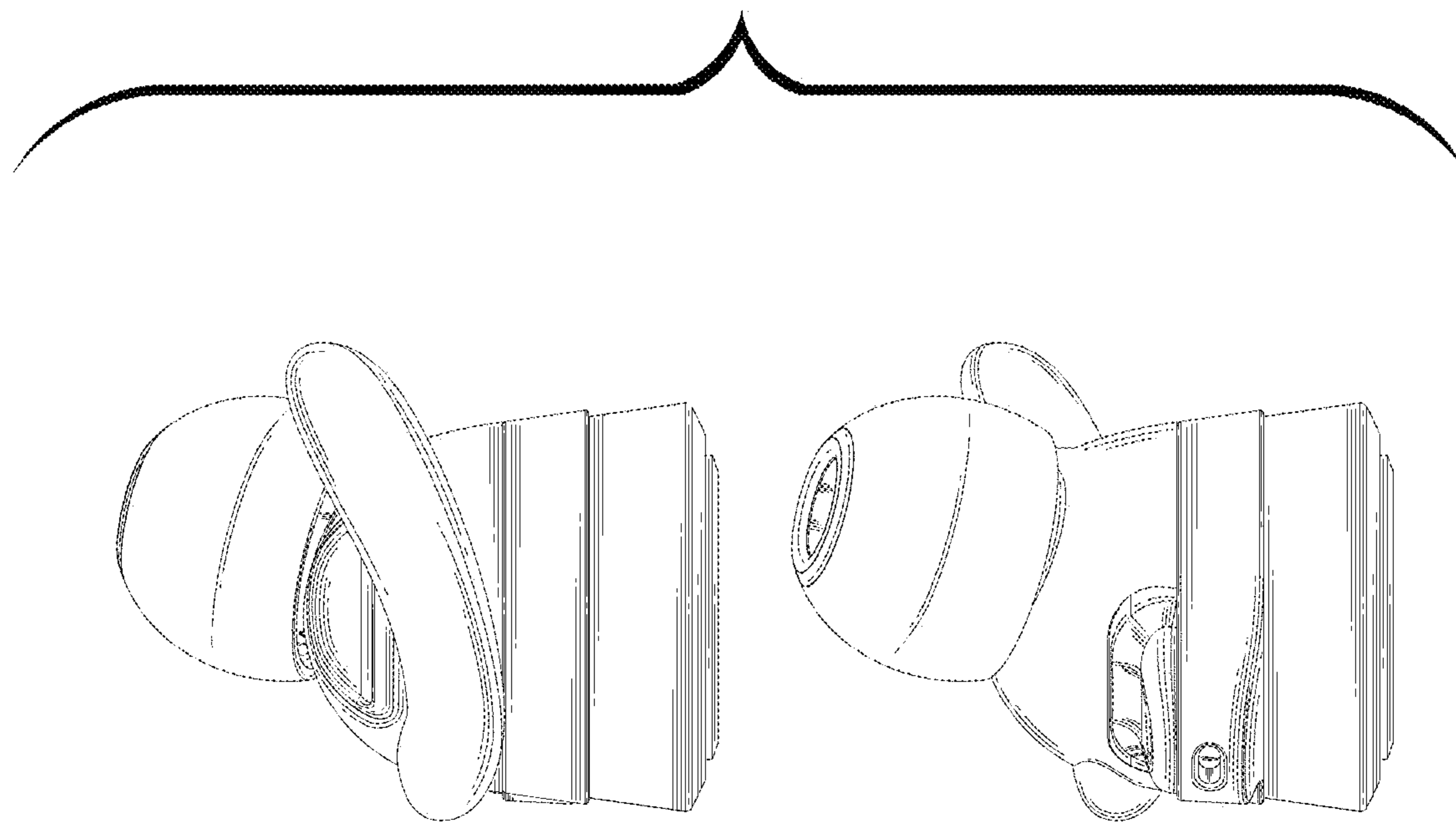


FIG. 21

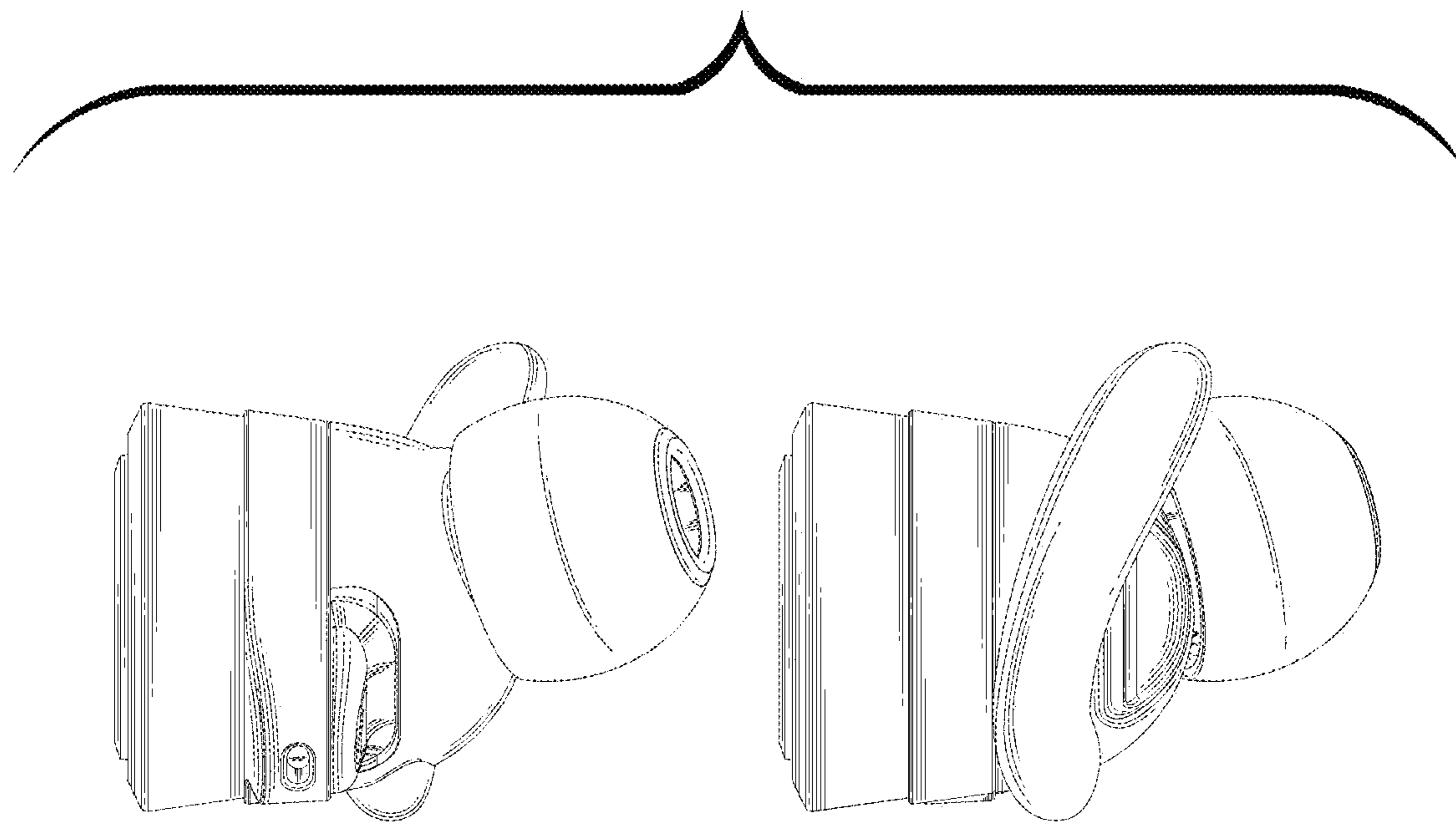


FIG. 22



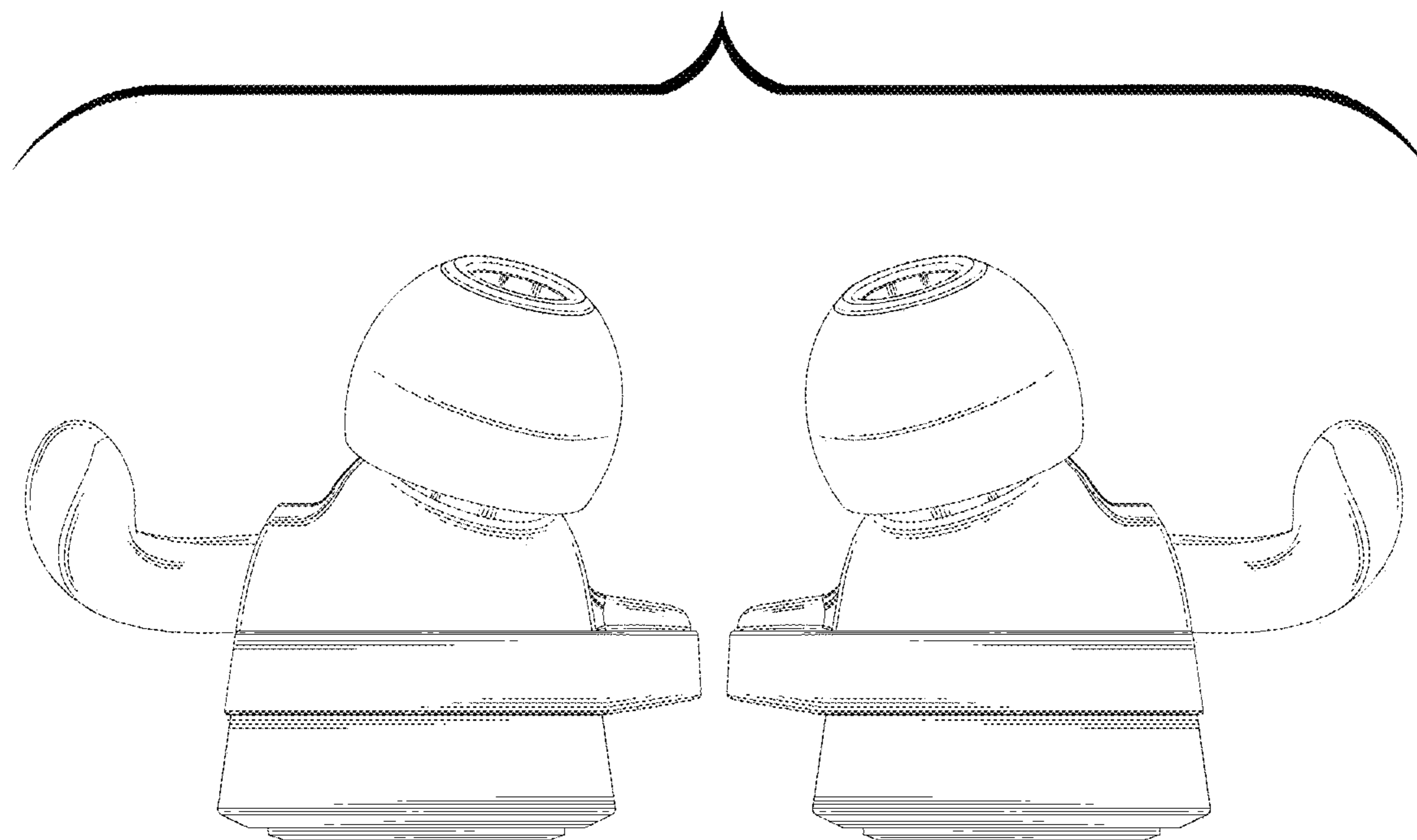


FIG. 23

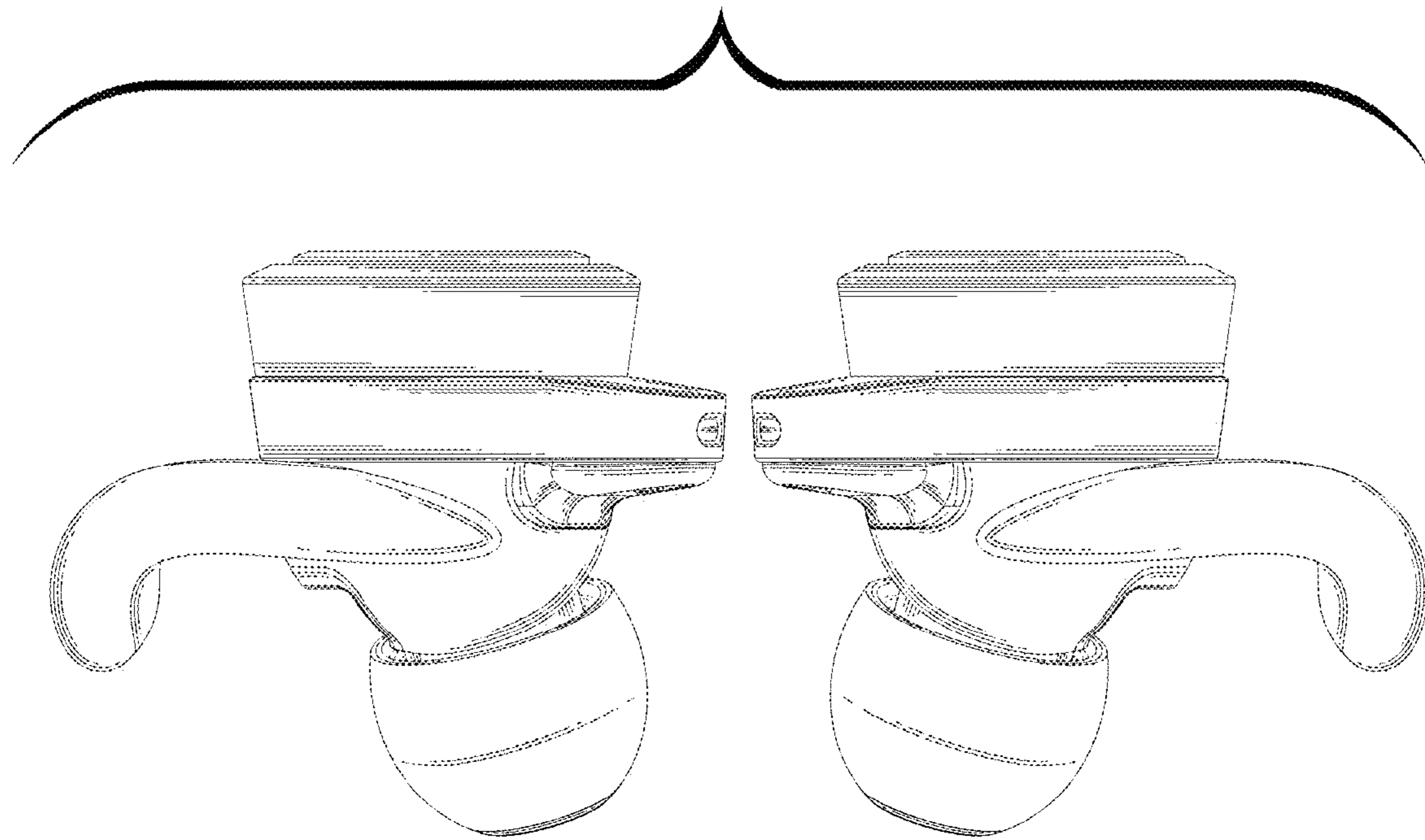


FIG. 24