



US00D929370S

(12) **United States Design Patent** (10) **Patent No.:** **US D929,370 S**  
**Tian et al.** (45) **Date of Patent:** **\*\* Aug. 31, 2021**

(54) **CONTROLLER FOR CONTENT EDITING**

OTHER PUBLICATIONS

- (71) Applicant: **Hefei Tuwa Technology Co., Ltd.**, Anhui (CN)
- (72) Inventors: **Yu Tian**, Anhui (CN); **Lei Xie**, Anhui (CN); **Liang Zhang**, Anhui (CN); **Jun Yi**, Anhui (CN)
- (73) Assignee: **Hefei Tuwa Technology Co., Ltd.**, Anhui (CN)
- (\*\*) Term: **15 Years**
- (21) Appl. No.: **29/705,991**
- (22) Filed: **Sep. 17, 2019**
- (51) **LOC (13) Cl.** ..... **14-03**
- (52) **U.S. Cl.**  
USPC ..... **D14/218**
- (58) **Field of Classification Search**  
USPC ..... D13/110, 162, 168; D14/217, 218; D21/333, 566; D16/130  
CPC ..... H04B 1/202; H04B 1/205; H01H 9/02; H01H 9/0214; H01H 9/0235; H01H 9/0242; G08C 17/00; G08C 17/02  
See application file for complete search history.

“TourBox—The Game Changer for Photoshop and Lightroom”, first available Oct. 8, 2018, Kickstarter.com (<https://www.kickstarter.com/projects/470115464/tourbox-the-game-changer-for-photoshop-and-lightroom/description>) (Year: 2018).\*

“TourBox—The Ultimate Controller for Photoshop and Lightroom”, first published Oct. 24, 2018, Electronics-Lab.com (<https://www.electronics-lab.com/tourbox-ultimate-controller-photoshop-lightroom/>) (Year: 2018).\*

“Tourbox Photo and Video Editing Console”, first available Aug. 21, 2019, Amazon.com ([https://www.amazon.com/Advanced-Controller-Customized-Photoshop-Lightroom/dp/B07WRQY7ZW/ref=as\\_li\\_ss\\_tl?dchild=1&keywords=tourbox&q%2E%80%A6](https://www.amazon.com/Advanced-Controller-Customized-Photoshop-Lightroom/dp/B07WRQY7ZW/ref=as_li_ss_tl?dchild=1&keywords=tourbox&q%2E%80%A6)) (Year: 2019).\*

\* cited by examiner

*Primary Examiner* — Rosemary K Tarcza  
*Assistant Examiner* — Seth David Kumpf  
 (74) *Attorney, Agent, or Firm* — Young Basile Hanlon & MacFarlane, P.C.

(57) **CLAIM**

The ornamental design for a controller for content editing, as shown and described.

**DESCRIPTION**

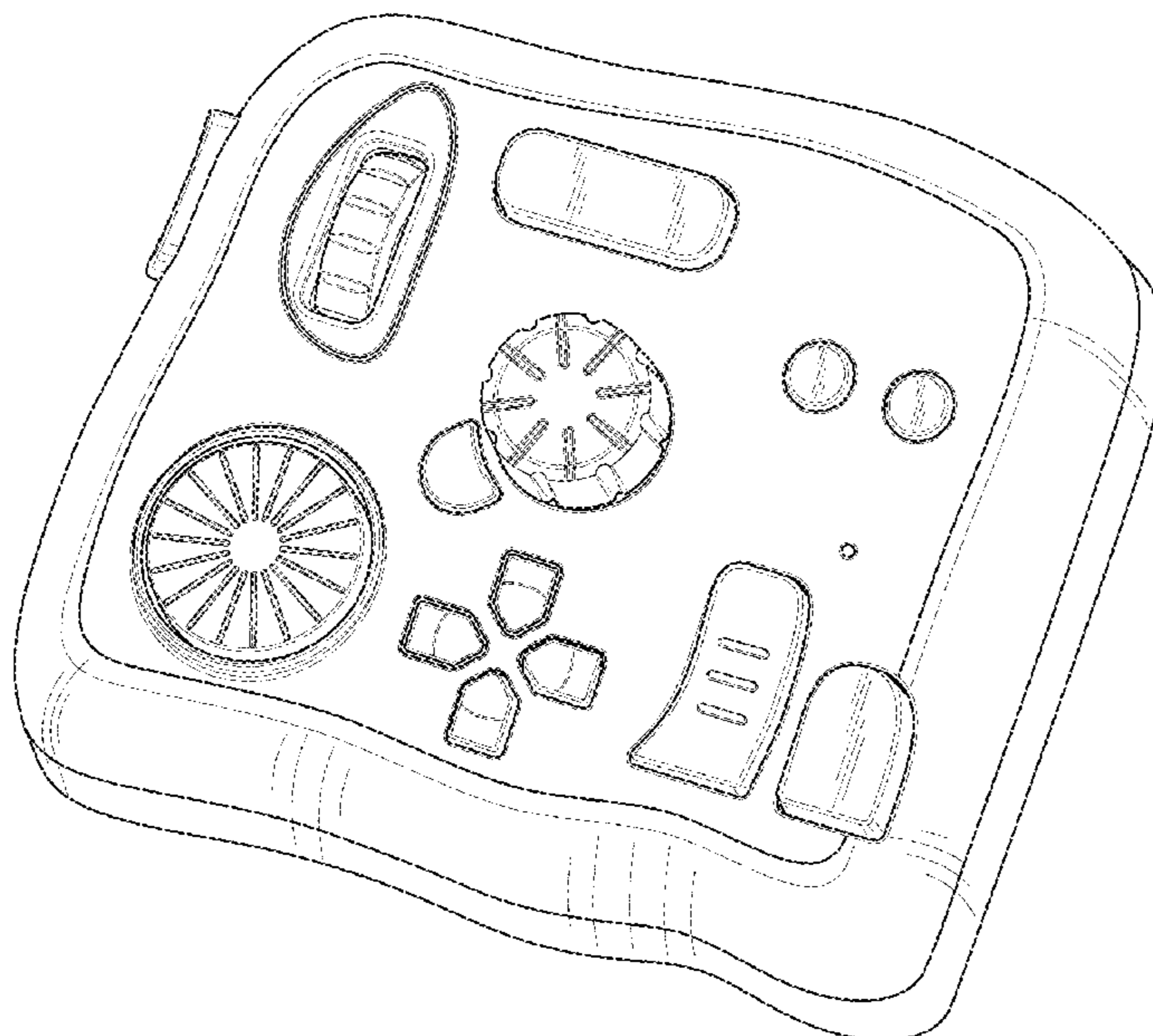
FIG. 1 is a bottom, front, and right perspective view of the controller showing our new design.  
 FIG. 2 is a front view of the controller of FIG. 1.  
 FIG. 3 is a right side view of the controller of FIG. 1.  
 FIG. 4 is a left side view of the controller of FIG. 1.  
 FIG. 5 is a top view of the controller of FIG. 1.  
 FIG. 6 is a bottom view of the controller of FIG. 1; and,  
 FIG. 7 is a rear view of the controller of FIG. 1.  
 The ornamental design that is claimed is shown in solid lines in the drawings. The broken line shown in FIGS. 2-5 and 7 illustrates features that form no part of the claimed design.

**1 Claim, 5 Drawing Sheets**

(56) **References Cited**

U.S. PATENT DOCUMENTS

D366,261 S *	1/1996	Splane, Jr.	.....	D14/217
D513,737 S *	1/2006	Riley	.....	D13/162
D551,660 S *	9/2007	Francz	.....	D14/218
D553,578 S *	10/2007	Virtanen	.....	D13/162
D626,517 S *	11/2010	Yano	.....	D13/168
D638,045 S *	5/2011	Noda	.....	D16/130
D712,756 S *	9/2014	Rump	.....	D10/50
D736,184 S *	8/2015	Olivar	.....	D14/218
D778,879 S *	2/2017	Olivar	.....	D14/218
D821,506 S *	6/2018	Wang	.....	D21/566



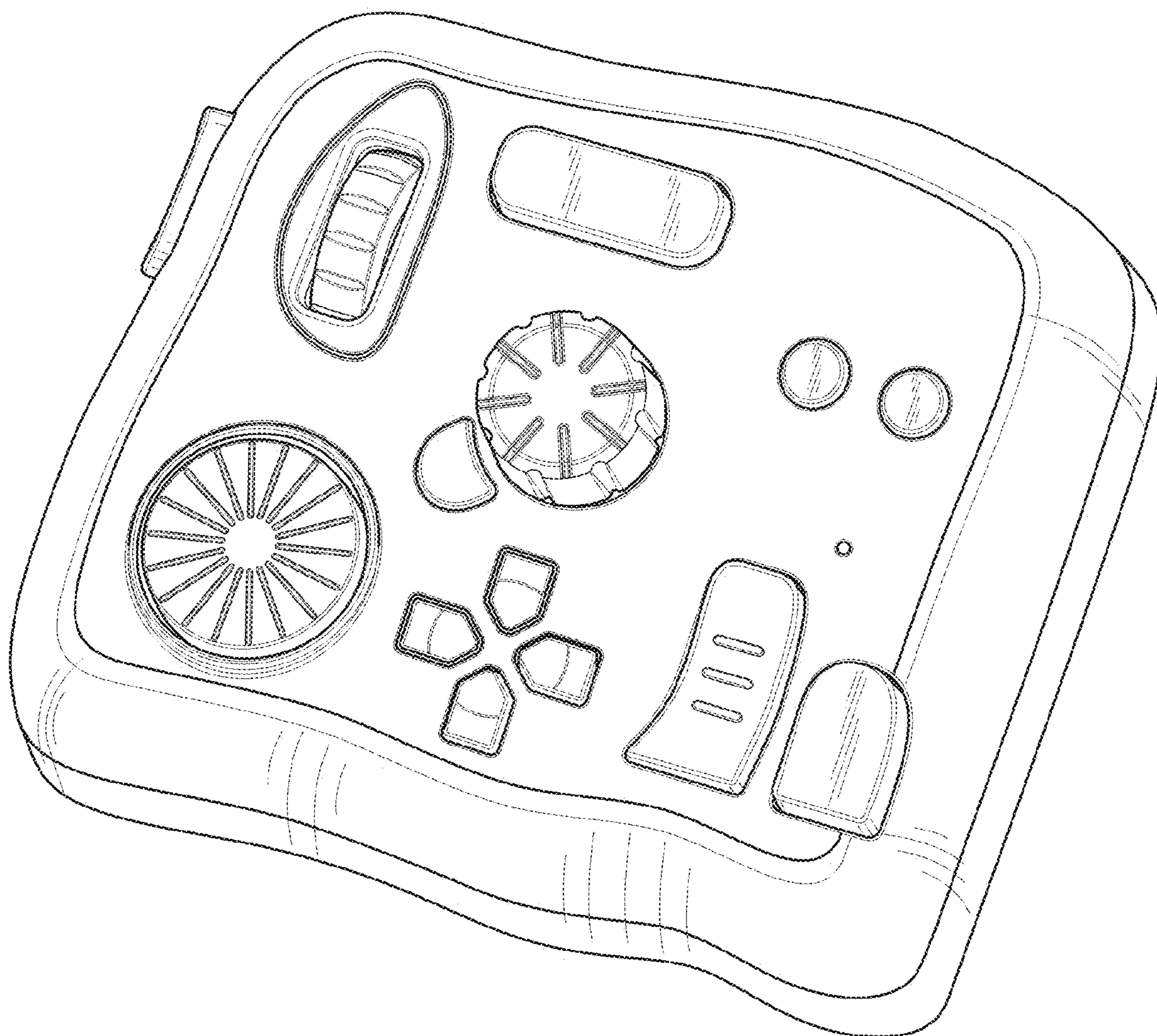


FIG. 1



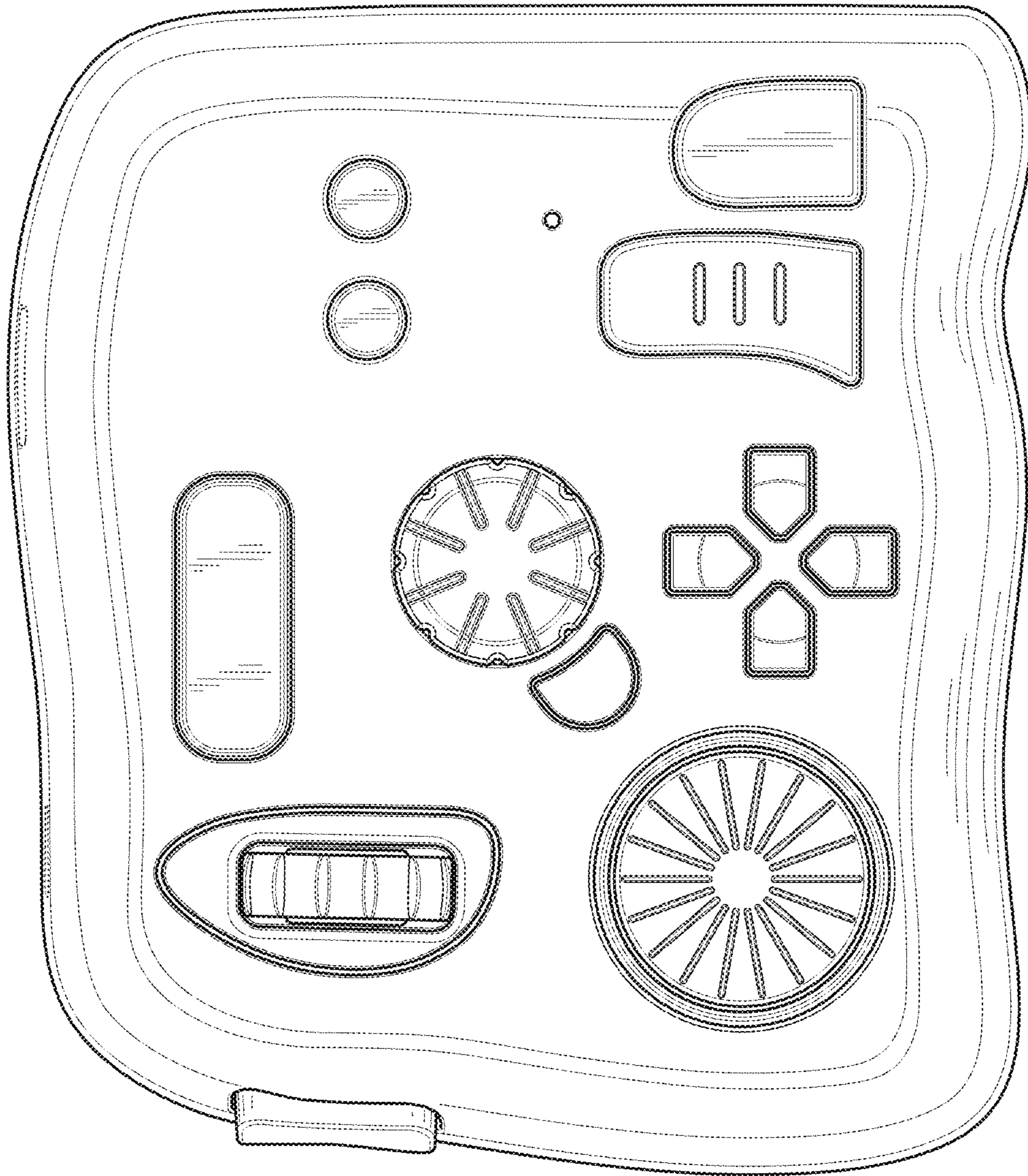


FIG. 2

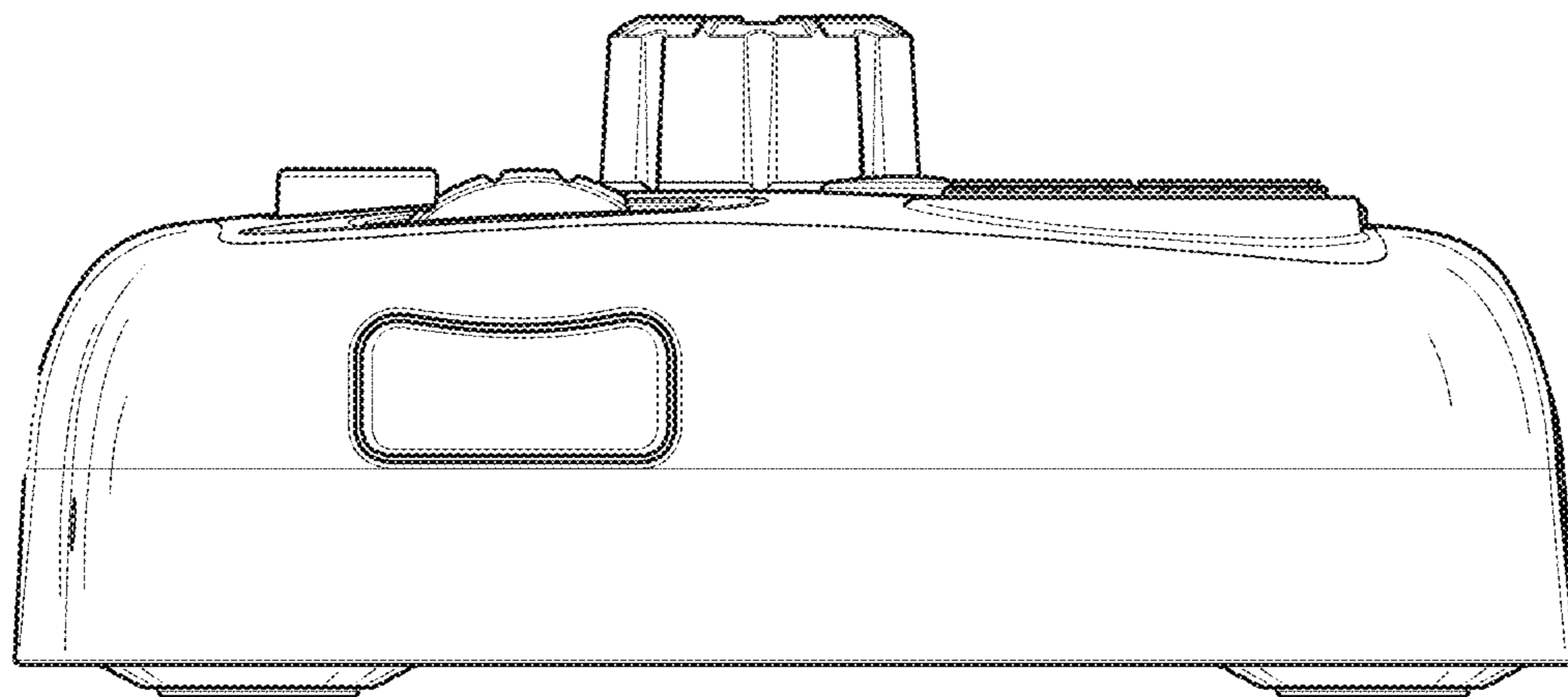


FIG. 4

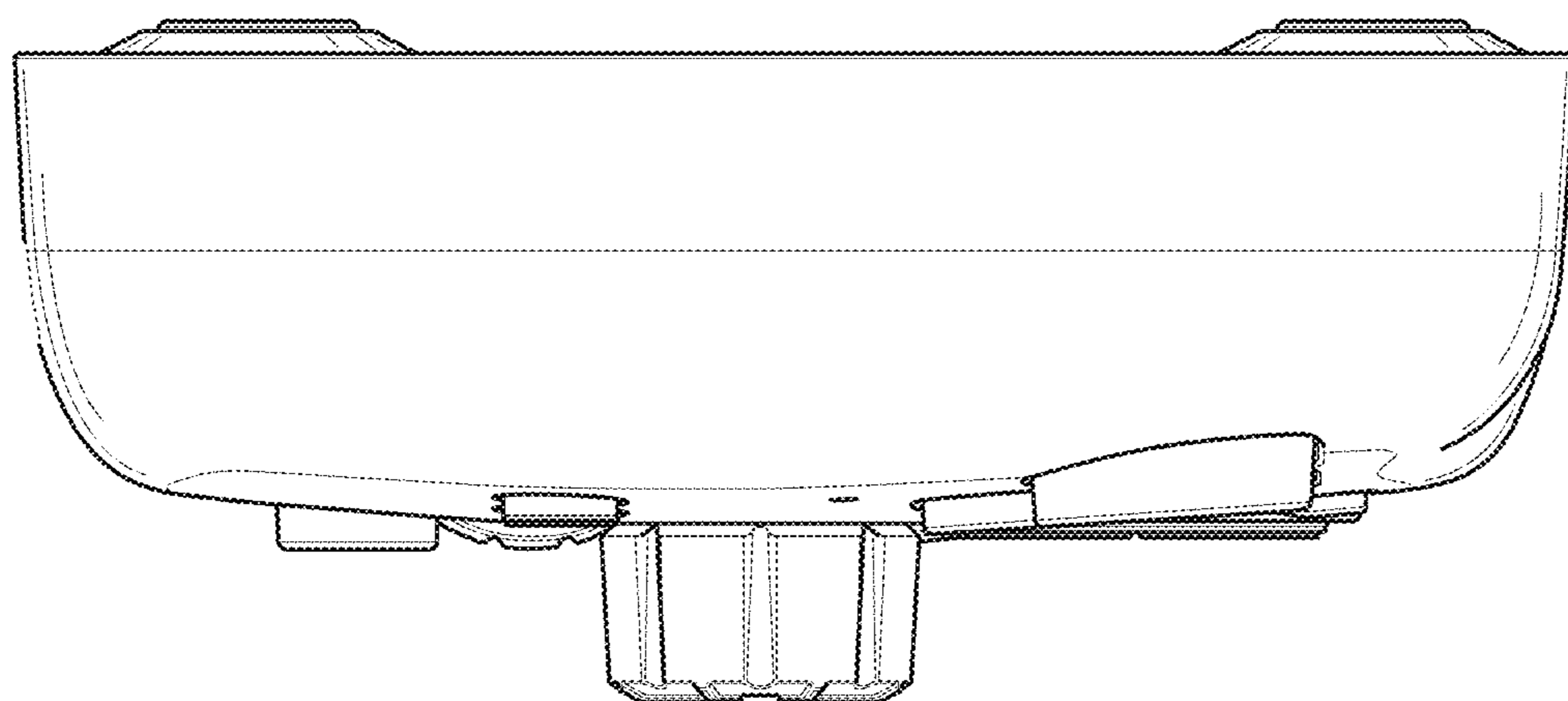
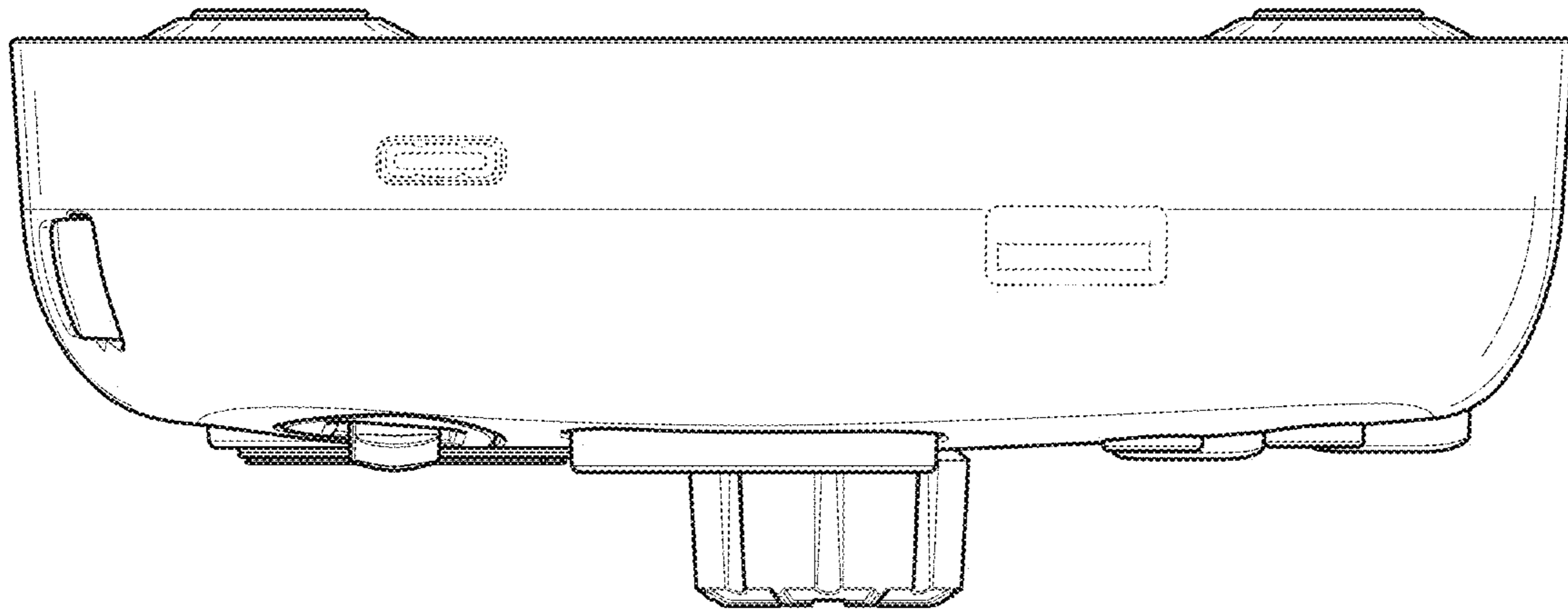
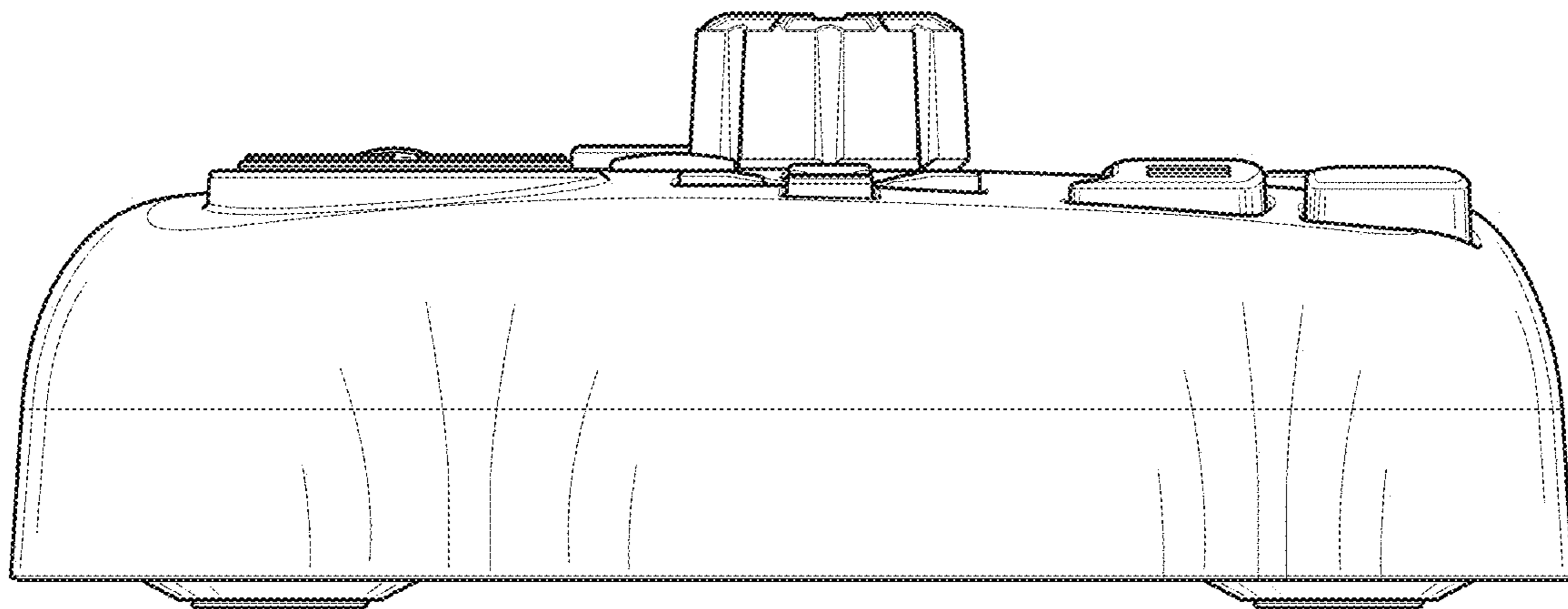


FIG. 3



**FIG. 5**



**FIG. 6**

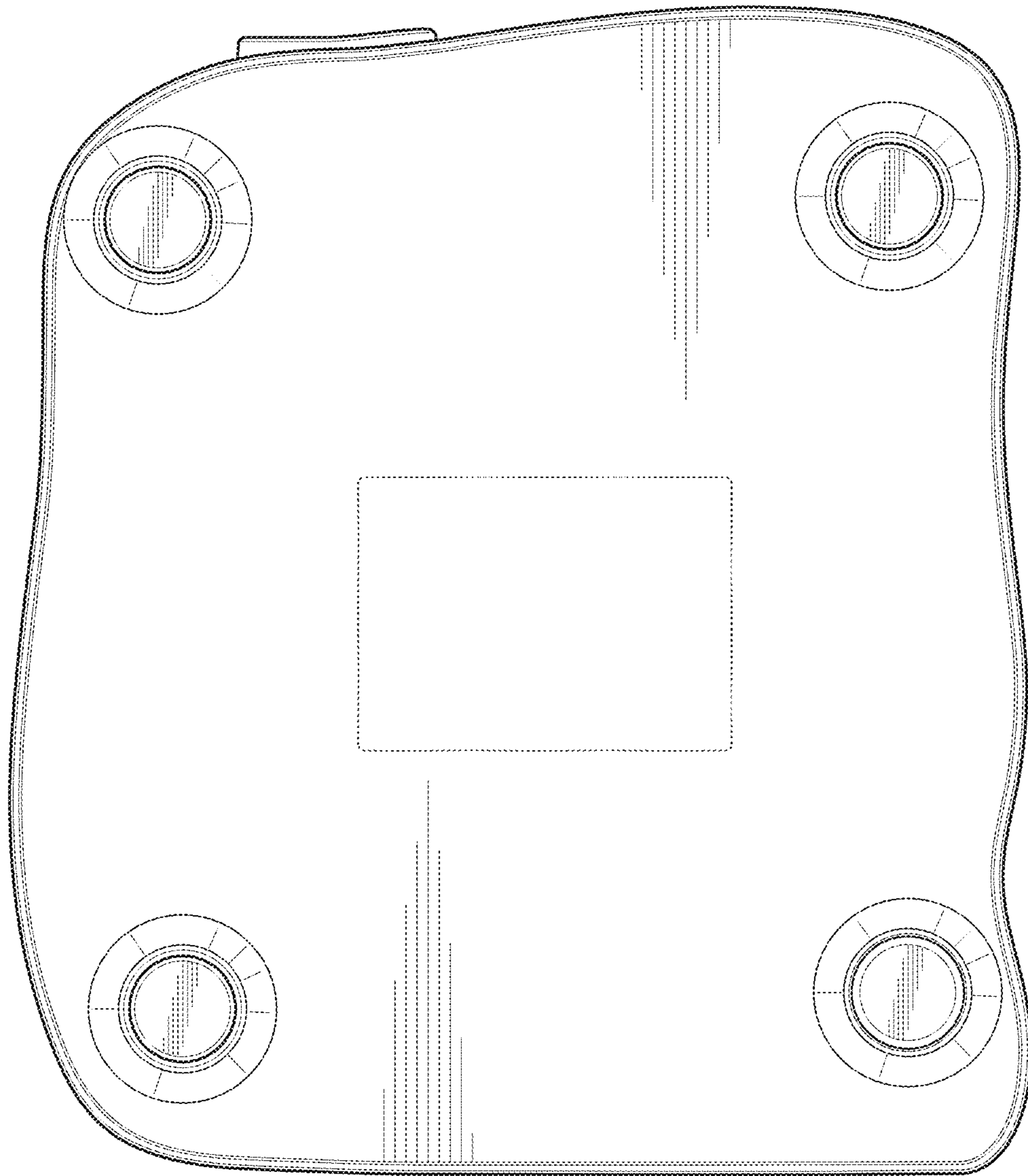


FIG. 7