



US00D929369S

(12) **United States Design Patent**
Lee et al.

(10) **Patent No.:** **US D929,369 S**
(45) **Date of Patent:** **** Aug. 31, 2021**

(54) **FRAME FOR BUILT-IN HOME APPLIANCES**

(71) Applicant: **LG ELECTRONICS INC.**, Seoul (KR)

(72) Inventors: **Bumsang Lee**, Seoul (KR); **Taeho Kim**, Seoul (KR); **Junghan Ryu**, Seoul (KR); **Chulmin Lim**, Seoul (KR); **Mijin Jung**, Seoul (KR); **Junghyun Joo**, Seoul (KR); **Jipyoo Hong**, Seoul (KR)

(73) Assignee: **LG ELECTRONICS INC.**, Seoul (KR)

(**) Term: **15 Years**

(21) Appl. No.: **29/711,941**

(22) Filed: **Nov. 4, 2019**

(51) **LOC (13) Cl.** **14-01**

(52) **U.S. Cl.**
USPC **D14/217; D8/381; D6/675.1**

(58) **Field of Classification Search**
USPC D6/672, 675, 675.1, 682, 682.1, 705;
D8/349, 354, 355, 374, 381, 400;
D14/133, 217, 224, 224.1, 229, 238,
D14/238.1, 239, 336, 432; D15/138;
D23/217, 351-355, 357, 361, 385;
D25/61, 118, 126, 131, 141, 156, 161
CPC ... A47F 1/00; A47F 5/00; A47B 45/00; A47B
47/04; A47B 57/00; A47B 63/00; A47B
47/021; A47B 47/0083; A47B 47/0008;
H01H 9/52; H01H 45/04; H01H 50/12;
H01H 2239/036; H01B 6/6447; H05B
47/11; H05B 2203/026

See application file for complete search history.

(56) **References Cited**

U.S. PATENT DOCUMENTS

D404,949 S * 2/1999 Hamami D6/702
6,017,107 A * 1/2000 Elliott A47B 47/04
108/181

D485,703 S * 1/2004 Becker D6/682.2
D699,057 S * 2/2014 Price D6/675
D734,068 S * 7/2015 Dworman D6/662.1
D766,626 S * 9/2016 Peden D6/675.3
D776,465 S * 1/2017 Basch D6/675
D791,518 S * 7/2017 Basch D6/675
D897,221 S * 9/2020 Lemke D9/750
D907,413 S * 1/2021 Bogdan D6/675.1

* cited by examiner

Primary Examiner — Kelley A Donnelly

(74) *Attorney, Agent, or Firm* — Birch, Stewart, Kolasch & Birch LLP

(57) **CLAIM**

The ornamental design for a frame for built-in home appliances, as shown and described.

DESCRIPTION

FIG. 1 is a perspective view of a frame for built-in home appliances showing our new design;
FIG. 2 is a front view thereof where the rear view is a mirror image;
FIG. 3 is a left side view thereof where the right side view is a mirror image;
FIG. 4 is a top plan view thereof;
FIG. 5 is a bottom plan view thereof;
FIG. 6 is a reference view showing the state in which the claimed design is combined with other frames for built-in home appliances; and,
FIG. 7 is a reference view showing the state where various modularized built-in home appliances are installed inside the claimed design combined with other frames.
The broken lines depict portions of the frame for built-in home appliances that form no part of the claimed design. The portions of FIGS. 6 and 7 drawn in broken lines show environmental structure only and form no part of the claimed design.

1 Claim, 7 Drawing Sheets

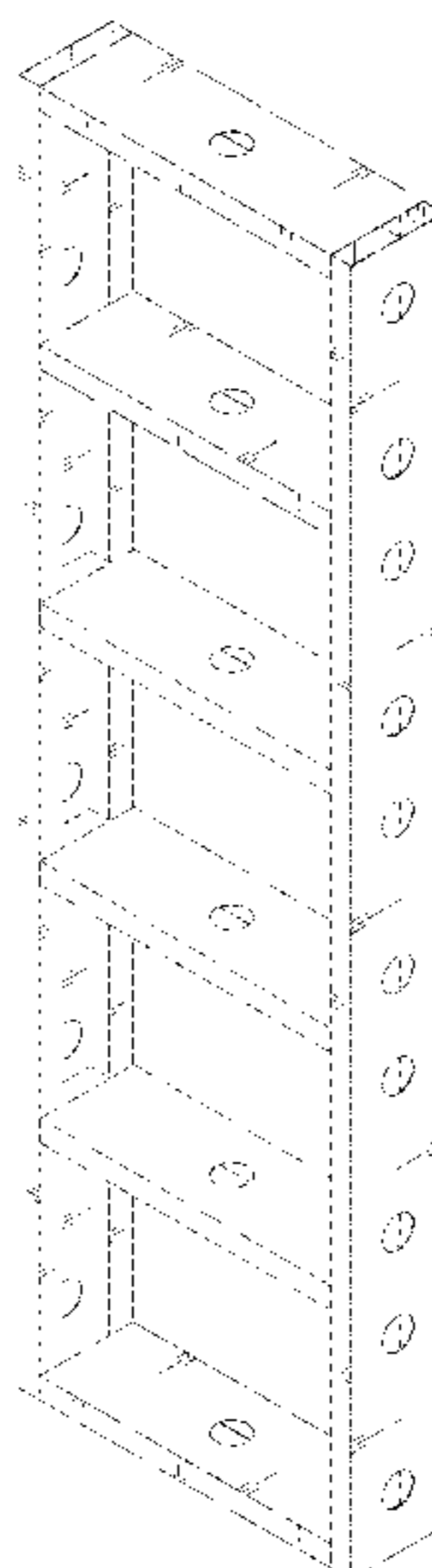


FIG. 1

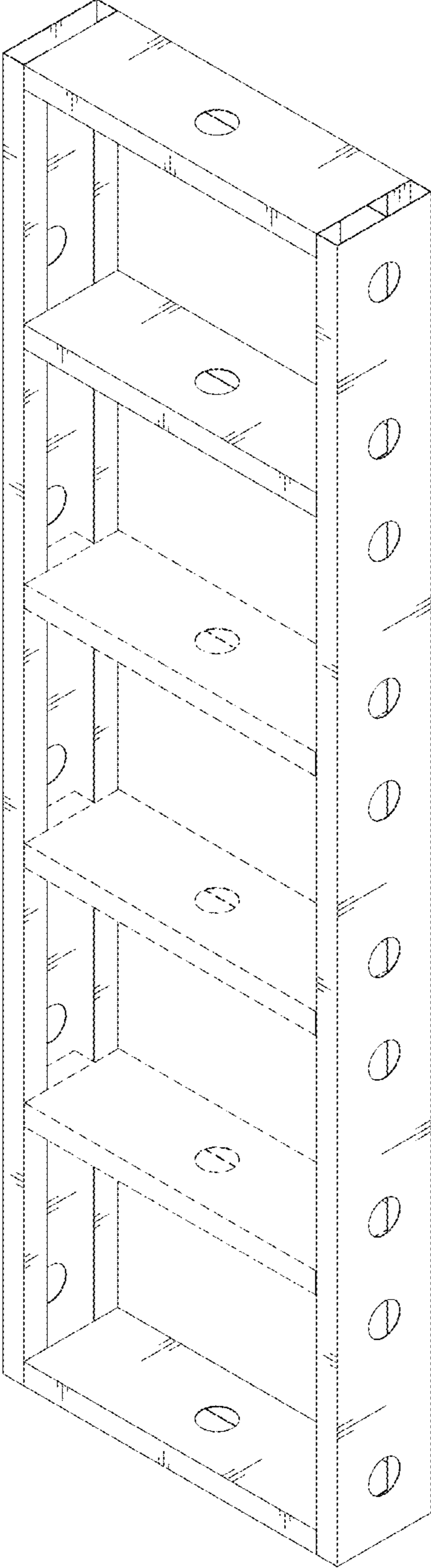


FIG. 2

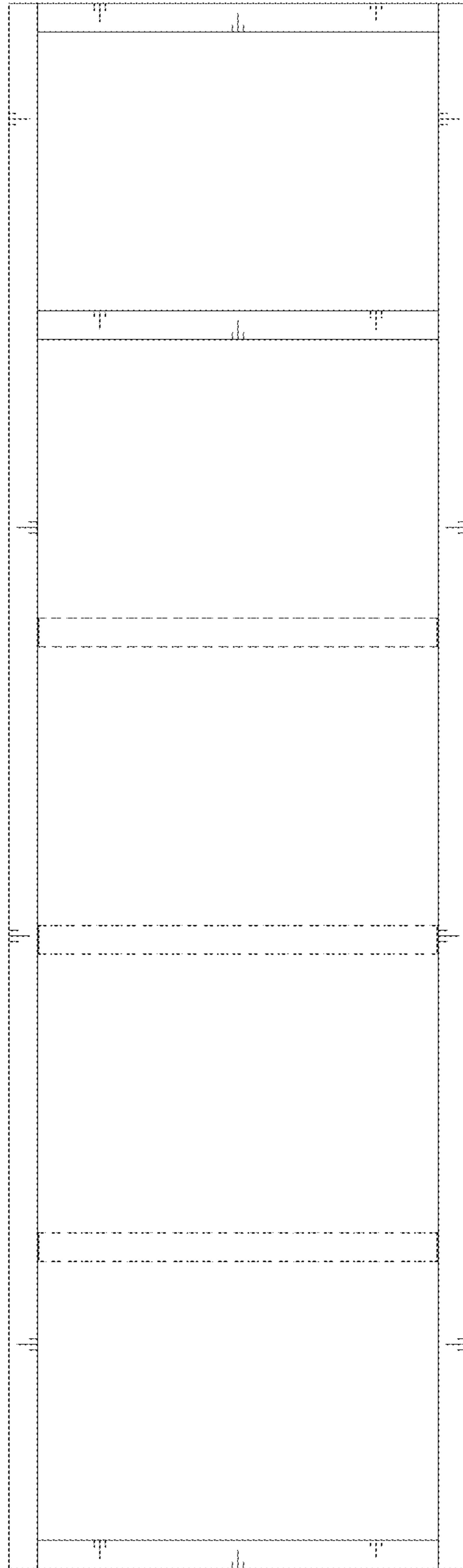


FIG. 3

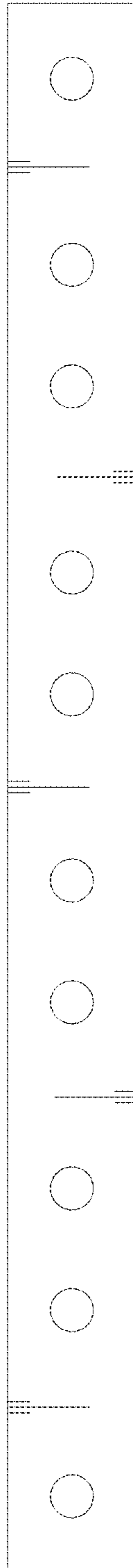


FIG. 4

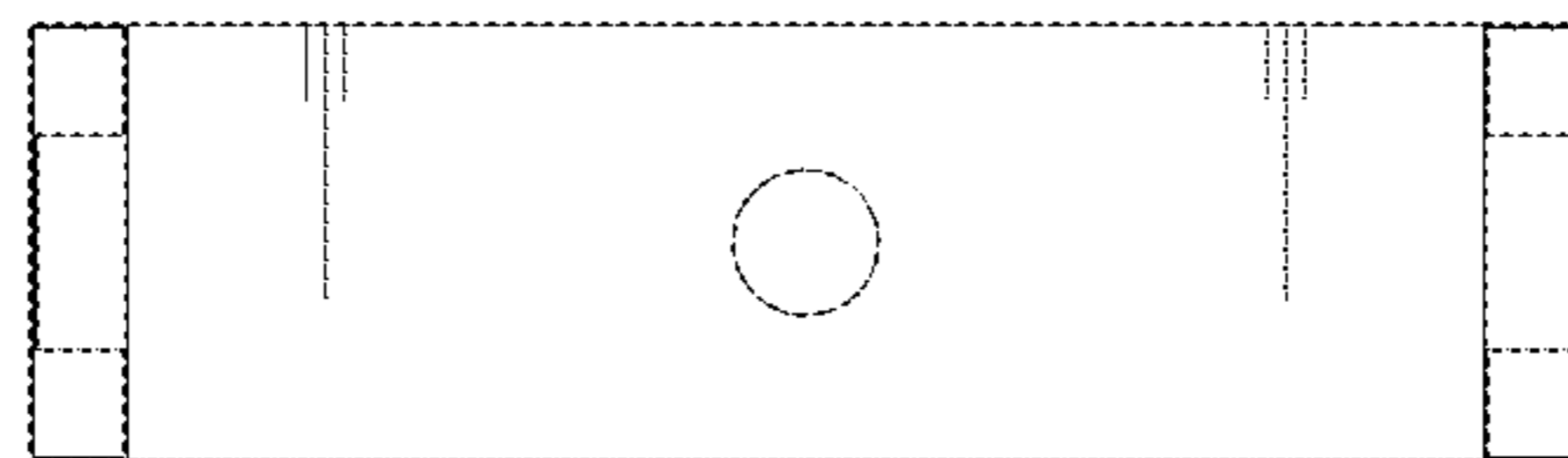


FIG. 5

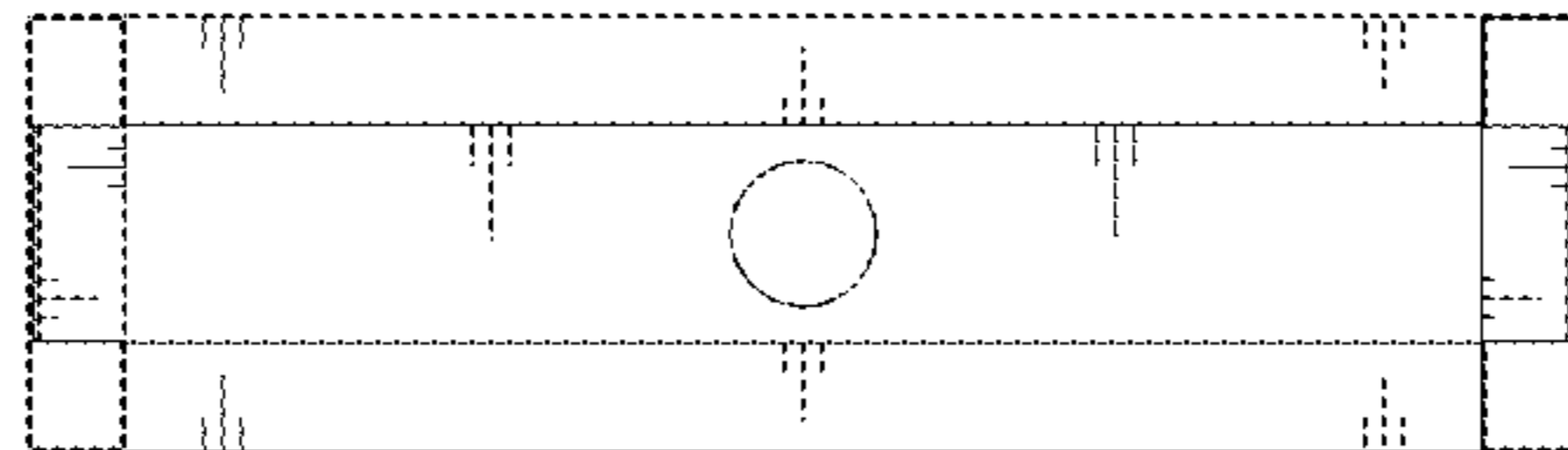


FIG. 6

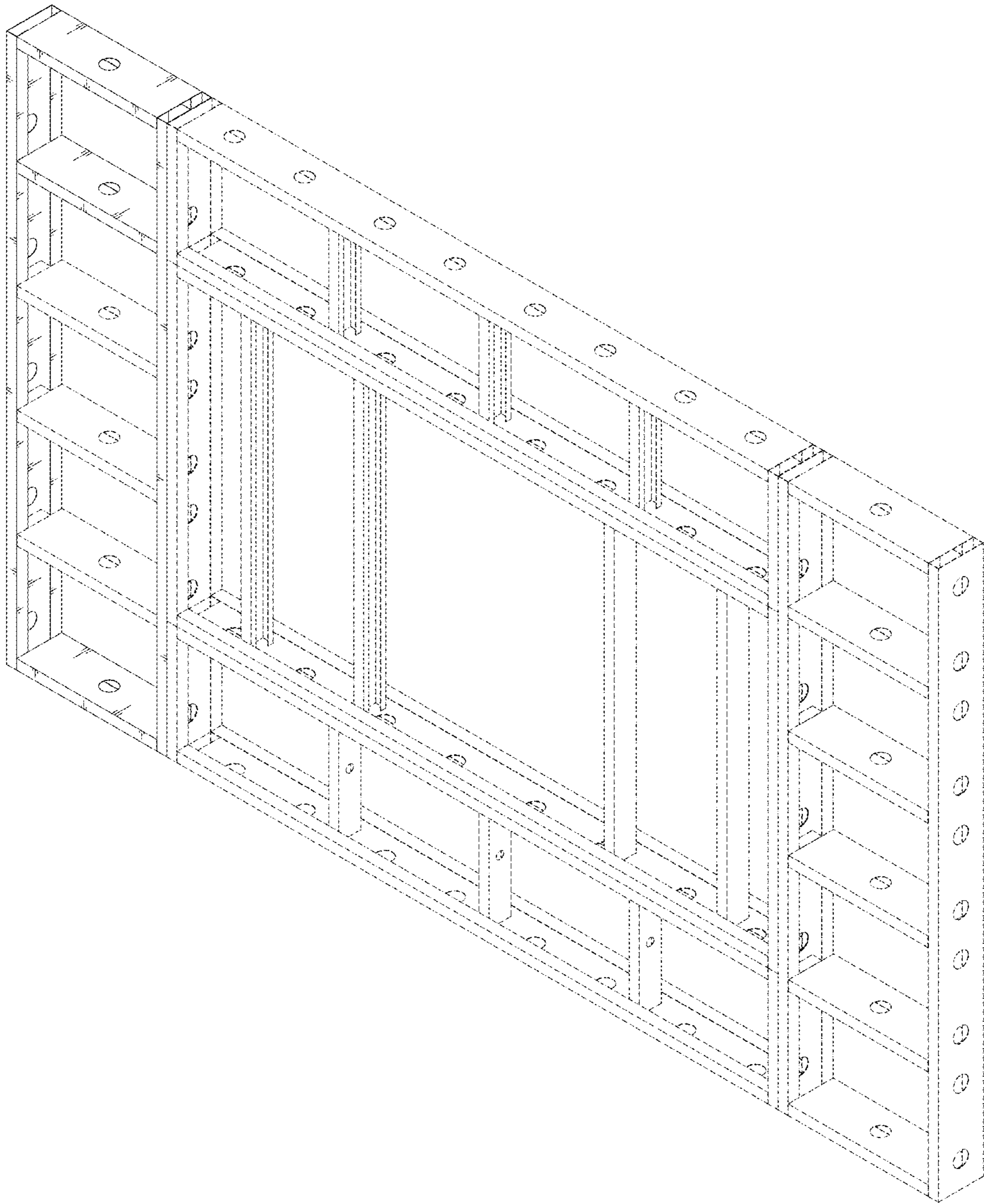


FIG. 7

