

US00D929364S

(12) **United States Design Patent**
Futo

(10) **Patent No.:** **US D929,364 S**

(45) **Date of Patent:** **** Aug. 31, 2021**

(54) **HEADPHONE**

(71) Applicant: **YAMAHA CORPORATION,**
Hamamatsu (JP)

(72) Inventor: **Masafumi Futo,** Hamamatsu (JP)

(73) Assignee: **YAMAHA CORPORATION,**
Hamamatsu (JP)

(**) Term: **15 Years**

(21) Appl. No.: **29/718,064**

(22) Filed: **Dec. 20, 2019**

(51) **LOC (13) Cl.** **14-01**

(52) **U.S. Cl.**
USPC **D14/205; D14/206**

(58) **Field of Classification Search**
USPC ... D14/205, 206, 188, 192, 147, 158, 203.5,
D14/165, 191; D29/112; 2/209;
381/380, 381, 370, 374; 455/90.3, 575.1,
455/569.1
CPC H04R 1/1016; H04R 1/1066; H04R 5/033;
H04R 5/0335; H04R 1/1008; H04R
25/00; H04R 25/02; H04R 1/1041; H04R
1/1091

See application file for complete search history.

(56) **References Cited**

U.S. PATENT DOCUMENTS

D237,508 S * 11/1975 Lung D14/168
4,175,217 A * 11/1979 Williams H04M 1/23
379/430
D286,632 S * 11/1986 Teunis D14/205
D301,145 S * 5/1989 Besasie D14/205
5,068,923 A * 12/1991 Sjoqvist A61F 11/14
2/209
5,113,428 A * 5/1992 Fitzgerald H04B 1/385
379/430
D342,947 S * 1/1994 Totsuka D14/192
D346,380 S * 4/1994 Fitzgerald D14/138 R

D411,200 S * 6/1999 Almqvist D14/192
D439,574 S * 3/2001 Katayama D14/192
D467,895 S * 12/2002 Hirano D14/192
6,654,966 B2 * 12/2003 Rolla H04R 1/1066
2/209
D491,163 S * 6/2004 Green D14/205
D504,414 S * 4/2005 Yoshida D14/192
6,965,681 B2 * 11/2005 Almqvist H04R 1/1041
381/371
D539,777 S * 4/2007 Pena Angarita D14/138 R
D576,604 S * 9/2008 Suzuki D14/205
D583,800 S * 12/2008 Jaakkola D14/205
D592,640 S * 5/2009 Tkachuk D14/205
D613,266 S * 4/2010 Barry D14/205
D616,865 S * 6/2010 Marchand D14/205
D633,894 S * 3/2011 Meyer D14/205

(Continued)

FOREIGN PATENT DOCUMENTS

EM 002205286-0001 * 3/2013
EM 007437249-0004 * 12/2019

Primary Examiner — Paula Allen Greene

(74) *Attorney, Agent, or Firm* — Sughrue Mion, PLLC

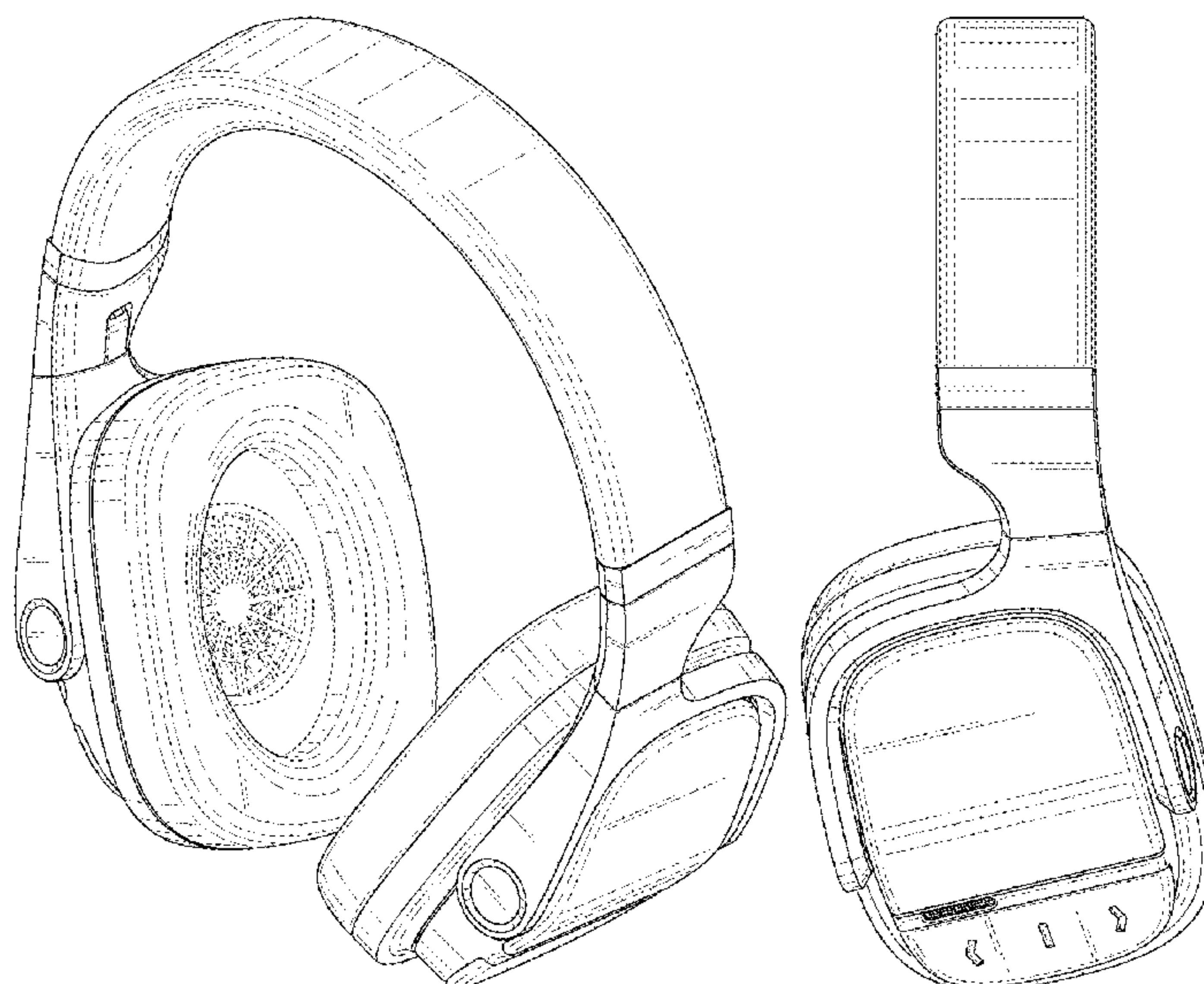
(57) **CLAIM**

The ornamental design for a headphone, as shown and described.

DESCRIPTION

FIG. 1 is a perspective view of the front, top and right side of a headphone showing my new design;
FIG. 2 is a front view thereof;
FIG. 3 is a rear view thereof;
FIG. 4 is a left side view thereof;
FIG. 5 is a right side view thereof;
FIG. 6 is a top view thereof; and,
FIG. 7 is a bottom view thereof.
The broken line showing of the headphone is included for the purpose of illustrating portions of the headphone and forms no part of the claimed design.

1 Claim, 6 Drawing Sheets



(56)

References Cited

U.S. PATENT DOCUMENTS

D637,176 S * 5/2011 Brunner D14/205
 D637,579 S * 5/2011 Hamaura D14/205
 D638,397 S * 5/2011 McManigal D14/205
 8,139,807 B2 * 3/2012 Reiss H04R 1/1058
 381/375
 8,213,666 B2 * 7/2012 Groesch H04R 5/033
 381/376
 D673,518 S * 1/2013 Tan D14/205
 D702,732 S * 4/2014 Wu D14/496
 D712,875 S * 9/2014 Katori D14/206
 8,923,525 B2 * 12/2014 Saideh H04R 1/1041
 381/74
 D727,286 S * 4/2015 Galler D14/205
 D735,419 S * 7/2015 Rose D29/112
 D741,286 S * 10/2015 Brennwald D14/205
 D758,990 S * 6/2016 Jiang D14/205
 9,398,361 B1 * 7/2016 Jaques H04R 1/1041
 D807,584 S * 1/2018 Fletcher D29/112
 D815,614 S * 4/2018 Tzeng D14/205
 D847,781 S * 5/2019 Chen D14/206
 10,405,081 B2 * 9/2019 Hviid H04M 1/6066
 D875,708 S * 2/2020 Tang D14/205

D876,388 S * 2/2020 Carr D14/205
 D885,683 S * 5/2020 Qiu D29/112
 D890,438 S * 7/2020 Xu D29/112
 D910,593 S * 2/2021 Schuster D14/205
 D916,681 S * 4/2021 He D14/205
 2002/0003889 A1 * 1/2002 Fischer H04R 1/1041
 381/370
 2002/0080987 A1 * 6/2002 Almqvist A61F 11/14
 381/371
 2003/0223612 A1 * 12/2003 Knorr H04R 1/1083
 381/370
 2009/0238397 A1 * 9/2009 Reiss H04R 1/1083
 381/375
 2015/0195642 A1 * 7/2015 Saideh H04R 1/1033
 381/74
 2016/0286019 A1 * 9/2016 Broadley H04M 1/72412
 2017/0039866 A1 * 2/2017 Coffee G09B 5/04
 2018/0270557 A1 * 9/2018 Chi-Hsueh H04R 1/1008
 2019/0069065 A1 * 2/2019 Brace H04R 1/1058
 2019/0200125 A1 * 6/2019 Hilding H04R 3/04
 2019/0273998 A1 * 9/2019 M. H03F 3/181
 2020/0125646 A1 * 4/2020 D'oleo G06F 40/58
 2020/0296501 A1 * 9/2020 Freeman H04R 1/1041
 2020/0404409 A1 * 12/2020 Chen H04R 1/1066

* cited by examiner

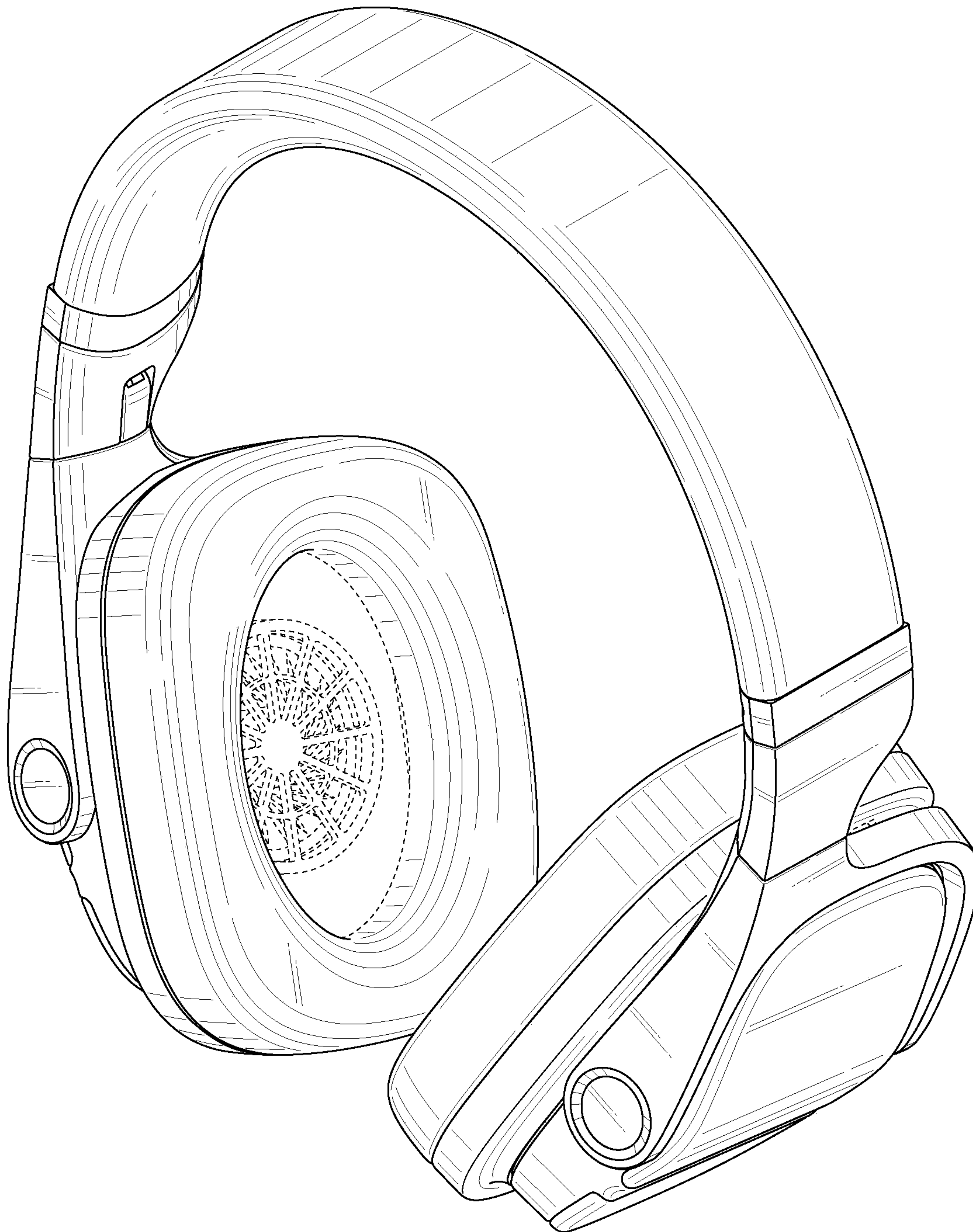


FIG. 1



FIG. 2



FIG. 3

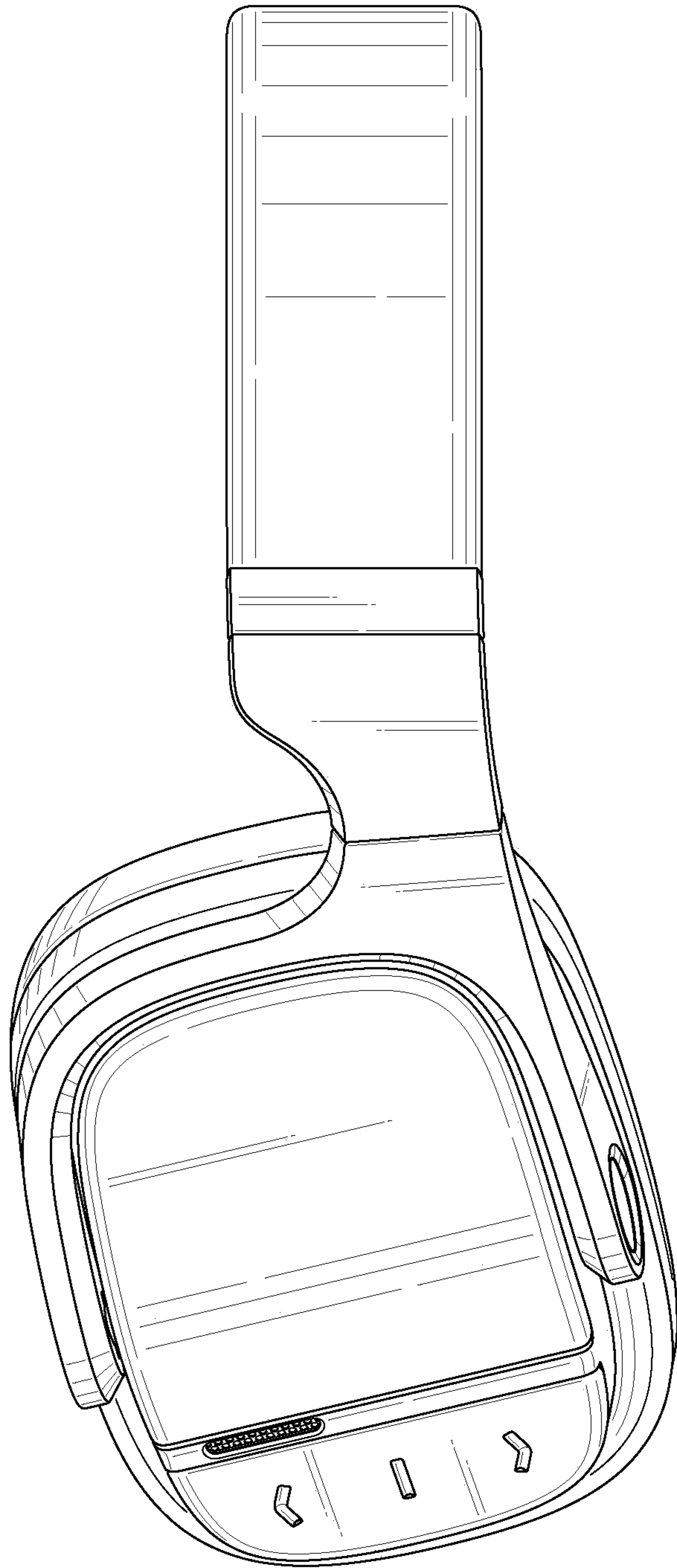


FIG. 4

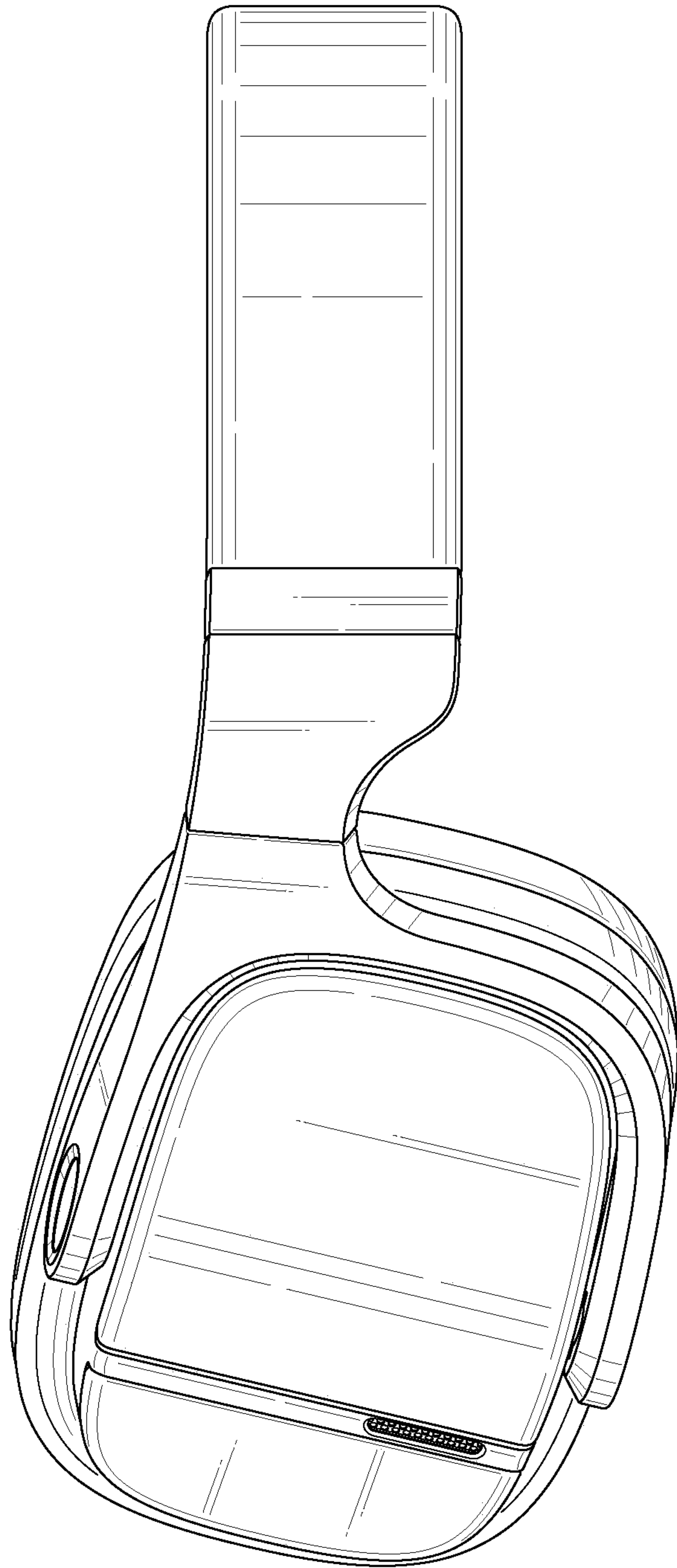


FIG. 5

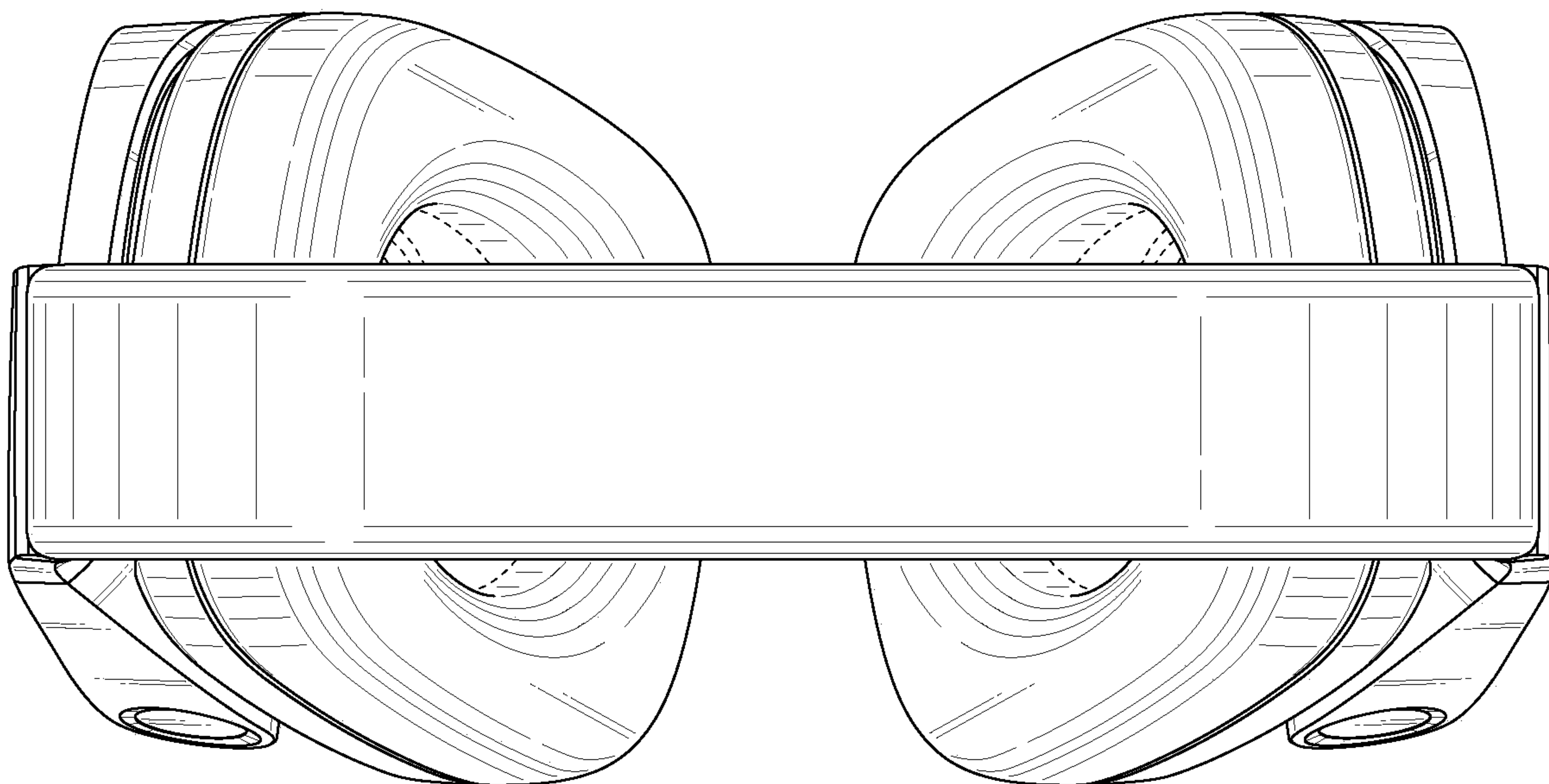


FIG. 6

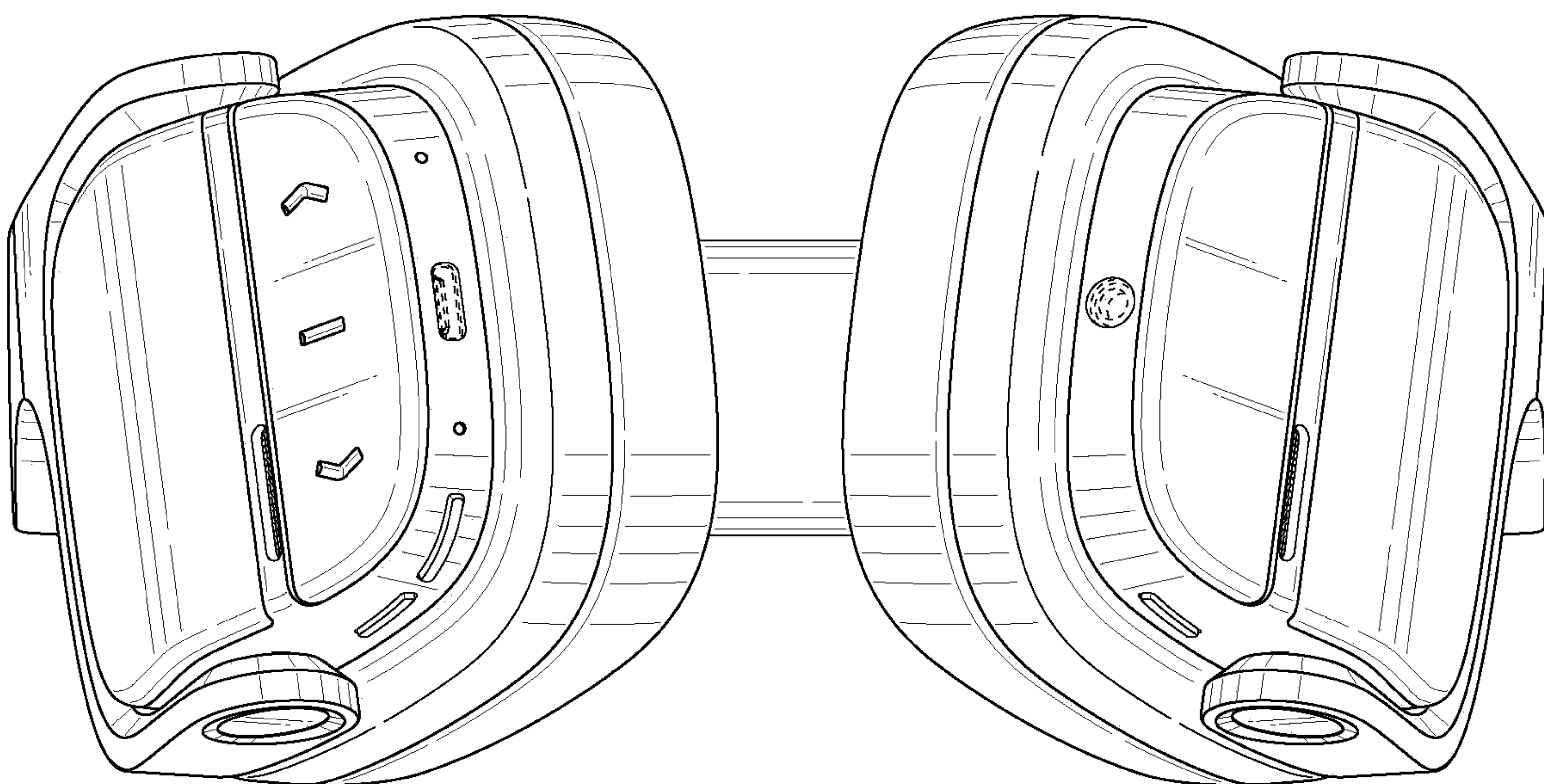


FIG. 7